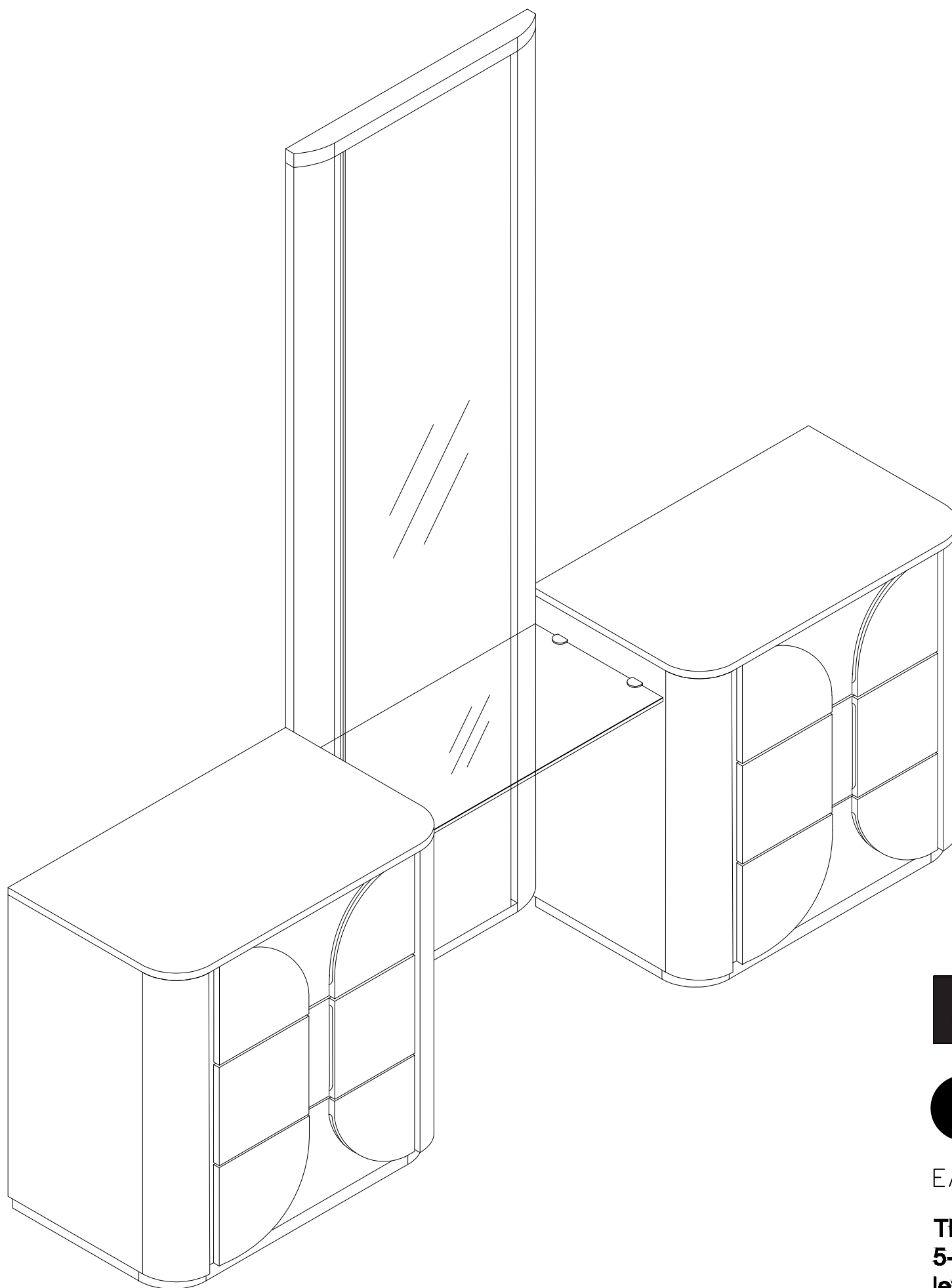


ASSEMBLY INSTRUCTIONS



TOOLS REQUIRED

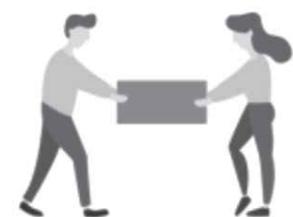


Screwdriver
(Not included)



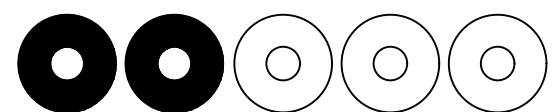
(Included)

Allen Wrench



2 - People

ASSEMBLY RATING



EASY —————> DIFFICULT

The Assembly Rating is a 5-point system showing the level of effort needed to assemble a specific product.



CHECK BEFORE STARTING

Are you missing anything?

Double-check all parts, hardware and accessories listed are all accounted for.

Check out our Quick Tips!

We recommend reviewing the pre-assembly handouts. Even experts need a refresher now and then!

Should we send any replacements?

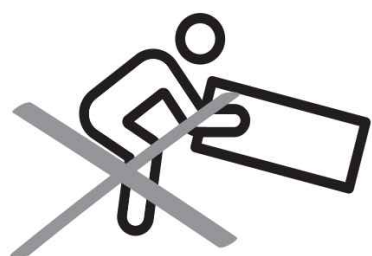
Are there any irregularities or flaws in the parts? We can send replacements!

Prep Time!

Please review the assembly instructions and all diagrams prior to assembling.

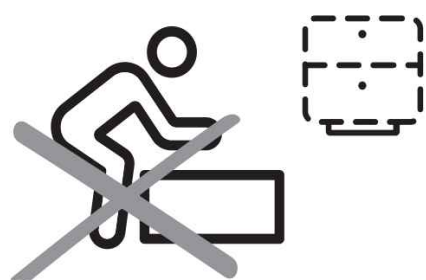
PRE ASSEMBLY INTRODUCTION

We understand building ready-to-assemble furniture can be a challenging experience for some. To help avoid confusion, we have provided some helpful tips that may speed up the process.



Teamwork

ALWAYS have at least two people to help with transporting and assembling the product to avoid potential injury and/or damage.



Suitable Location

Assembling near the area of the intended location is highly recommended.



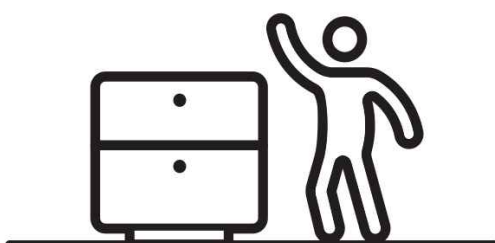
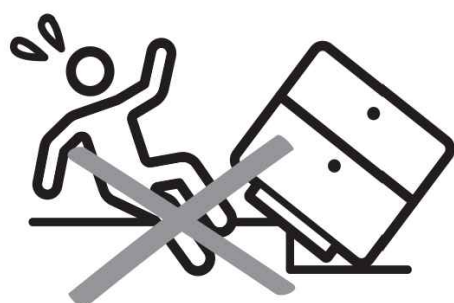
Sufficient Space

Make sure you have enough space to move around during the assembly.



Avoid Scratches

Use cardboard, blankets or a carpeted area while assembling furniture to prevent scratches and damages.



Flat Surface

Make sure the furniture rests on a flat and level surface with each leg evenly touching the floor.

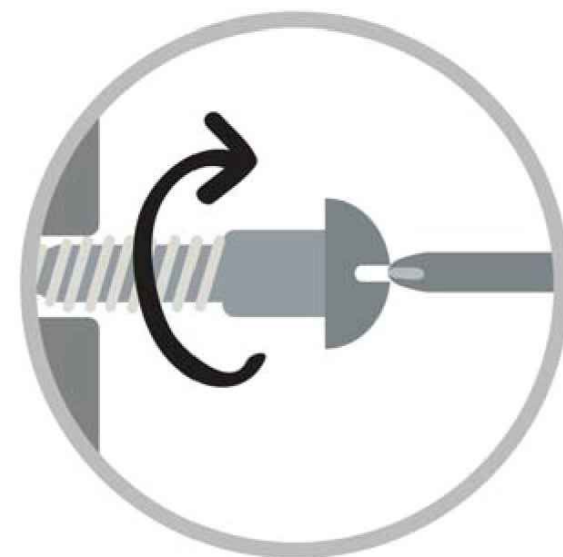
ASSEMBLY AND CARE ADVICE



FAILURE TO FOLLOW THE GUIDELINES BELOW MAY RESULT IN INJURY AND/OR PROPERTY DAMAGE.



Position each part correctly and insert screws or bolts into their respective holes.



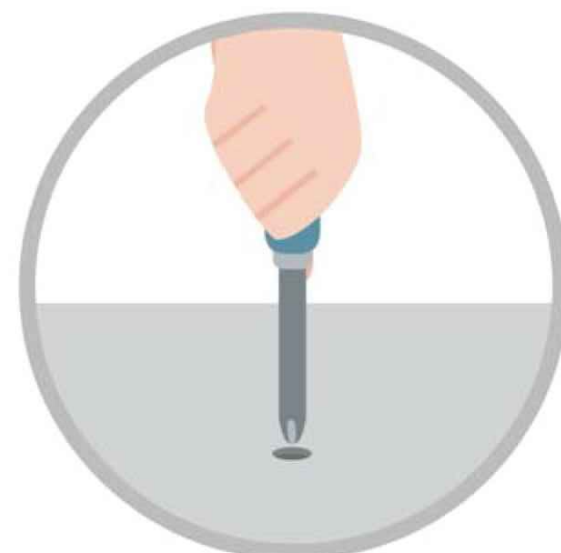
Turn clockwise to tighten and only tighten when step is completed or when instructed to do so.



Use the appropriate hand tools or power tools for assembly. Select steps, such as tightening screws and/or bolts, may require hand tools to avoid causing damage during assembly.



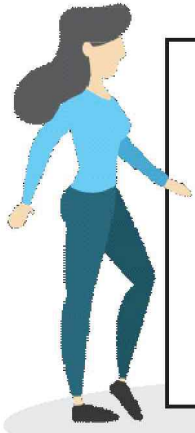
Save the instructions and store any supplied tools for later maintenance.



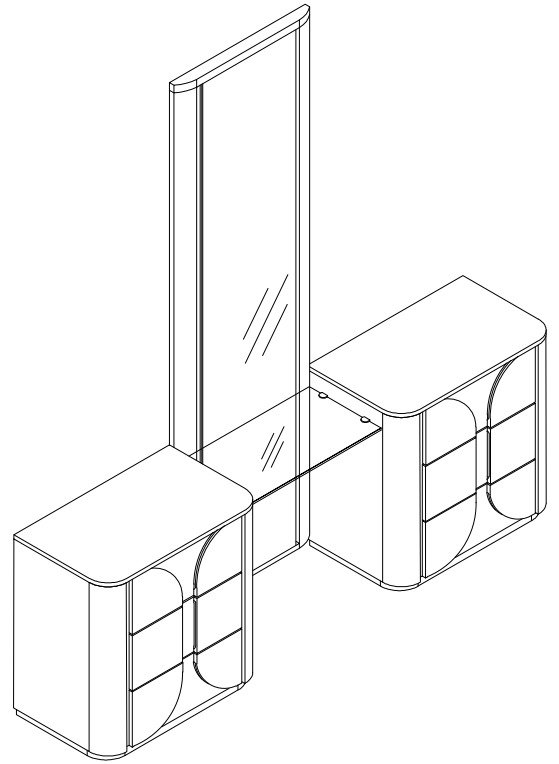
After two weeks, check and tighten any loose hardware and repeat again every six months thereafter.

IT IS THE USER'S RESPONSIBILITY TO MAINTAIN THE FURNITURE. THE HARDWARE MAY LOOSEN OVER TIME AND MAY CAUSE THE FURNITURE TO BE WOBBLY AND UNABLE TO SUPPORT ITS INTENDED WEIGHT CAPACITY. THIS MAY LEAD TO COLLAPSE AND MAY CAUSE SERIOUS INJURY

VANITY DRESSER

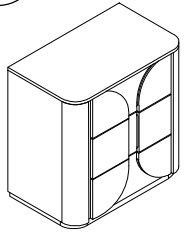


- Please keep instructions for future reference.
- Check the quantity and irregularity of parts and hardware before you start.



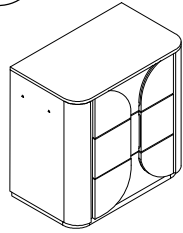
PARTS

1 1pc



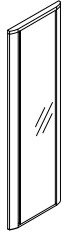
VANITY DRESSER
LEFT

2 1pc



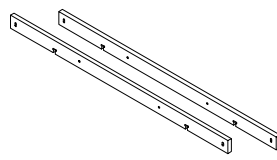
VANITY DRESSER
RIGHT

3 1pc



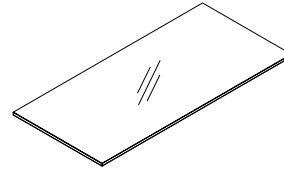
FLOOR MIRROR

4 2pcs



MIRROR SUPPORTER

5 1pc

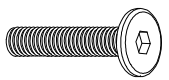


GLASS SHELF

HARDWARE

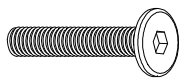
HARDWARE INSIDE FLOOR MIRROR

A 4pcs



JCBC M6 X 35mm

B 8pcs



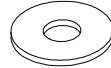
JCBC M6 X 45mm

C 12pcs



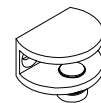
Lock Washer

D 12pcs



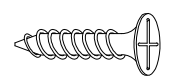
Flat Washer

E 4pcs



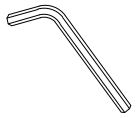
Glass Shelf Clamp

F 8pcs



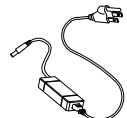
CSK SCREW
M3.5 X 16mm

G 1pc



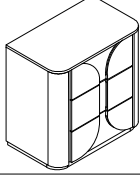
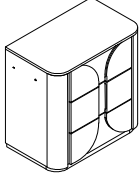









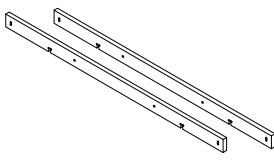
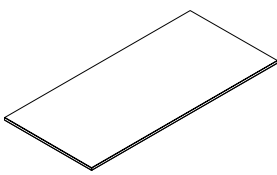
Allen Key M4

H 1pc



Adaptor **12V-5A**

packed in 3 cartons

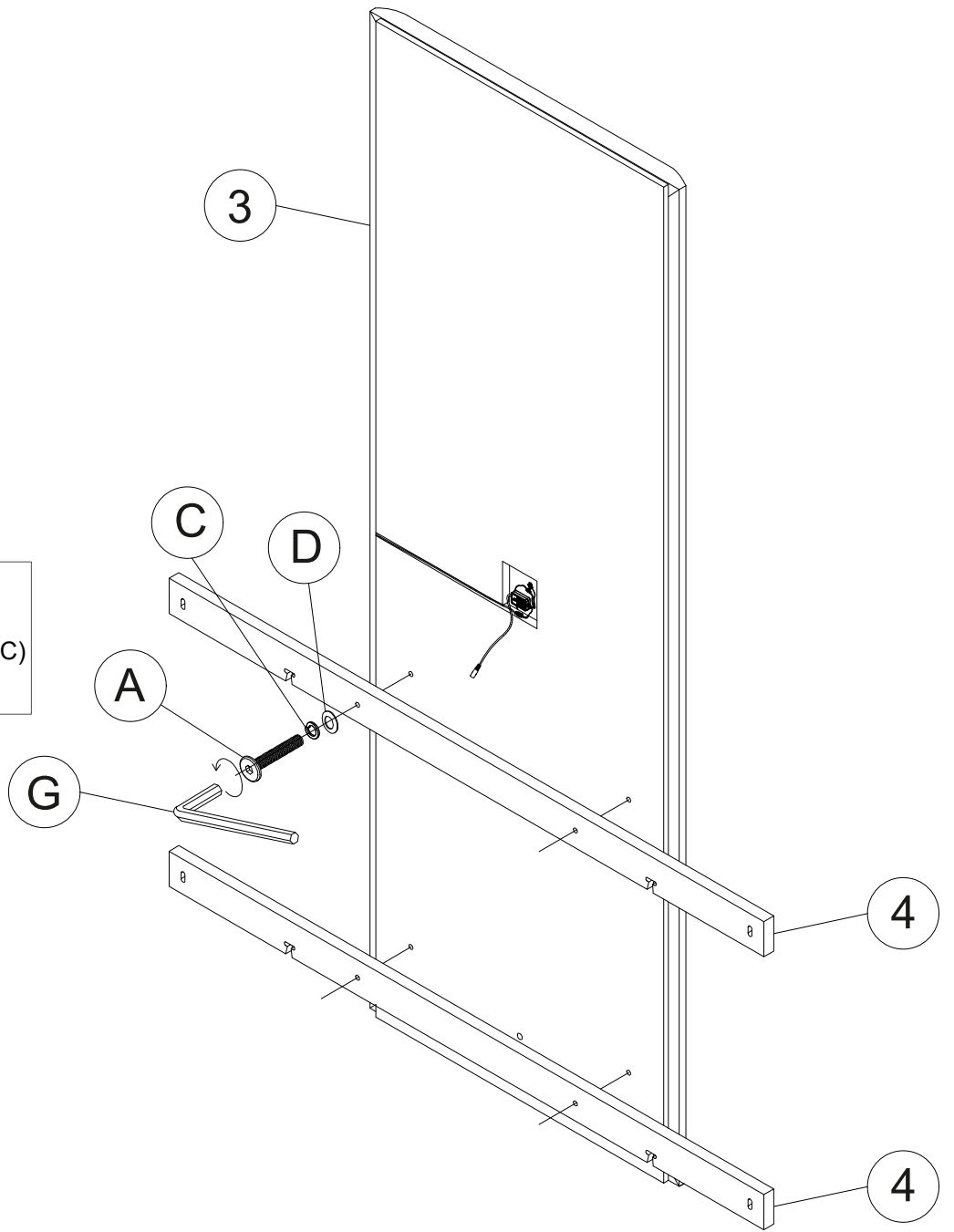
Carton	Description	Part		Hardware
	VANITY DRESSER LEFT	①	 X1	
	VANITY DRESSER RIGHT	②	 X1	
	FLOOR MIRROR	③	 X1	 A x4pcs  B x8pcs  C x12pcs  D x12pcs  E x4pcs  F x8pcs  G x1pc  H x1pc
	MIRROR SUPPORTER	④	 X2	
	GLASS SHELF	⑤	 X1	

ASSEMBLY INSTRUCTIONS

1

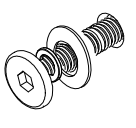
- Part ③ x1pc
- Part ④ x2pcs
- Hardware ① x4pcs
- Hardware ② x4pcs
- Hardware ③ x4pcs
- Hardware ④ x1pc

Use Allen Key (#G) to attach the Mirror Supporter (#4) to Floor Mirror (#3) back by using JCBC Screw (#A) with Lock Washer (#C) and Flat Washer (#D).



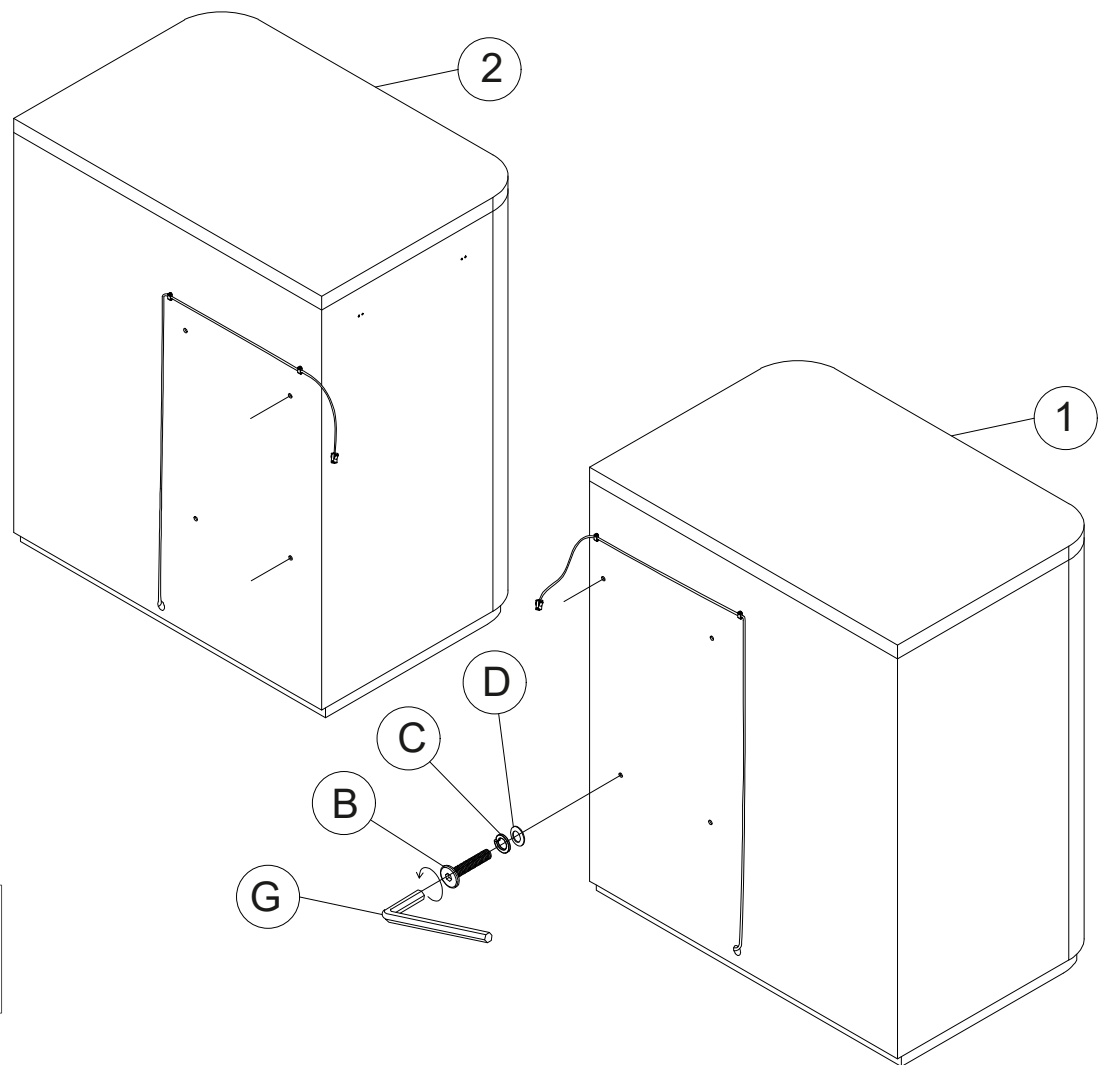
2

- Part ① x1pc
- Part ② x1pc
- Hardware ③ x4pcs
- Hardware ④ x4pcs
- Hardware ⑤ x4pcs
- Hardware ⑥ x1pc



Keep screw loose halfway-in at this step.

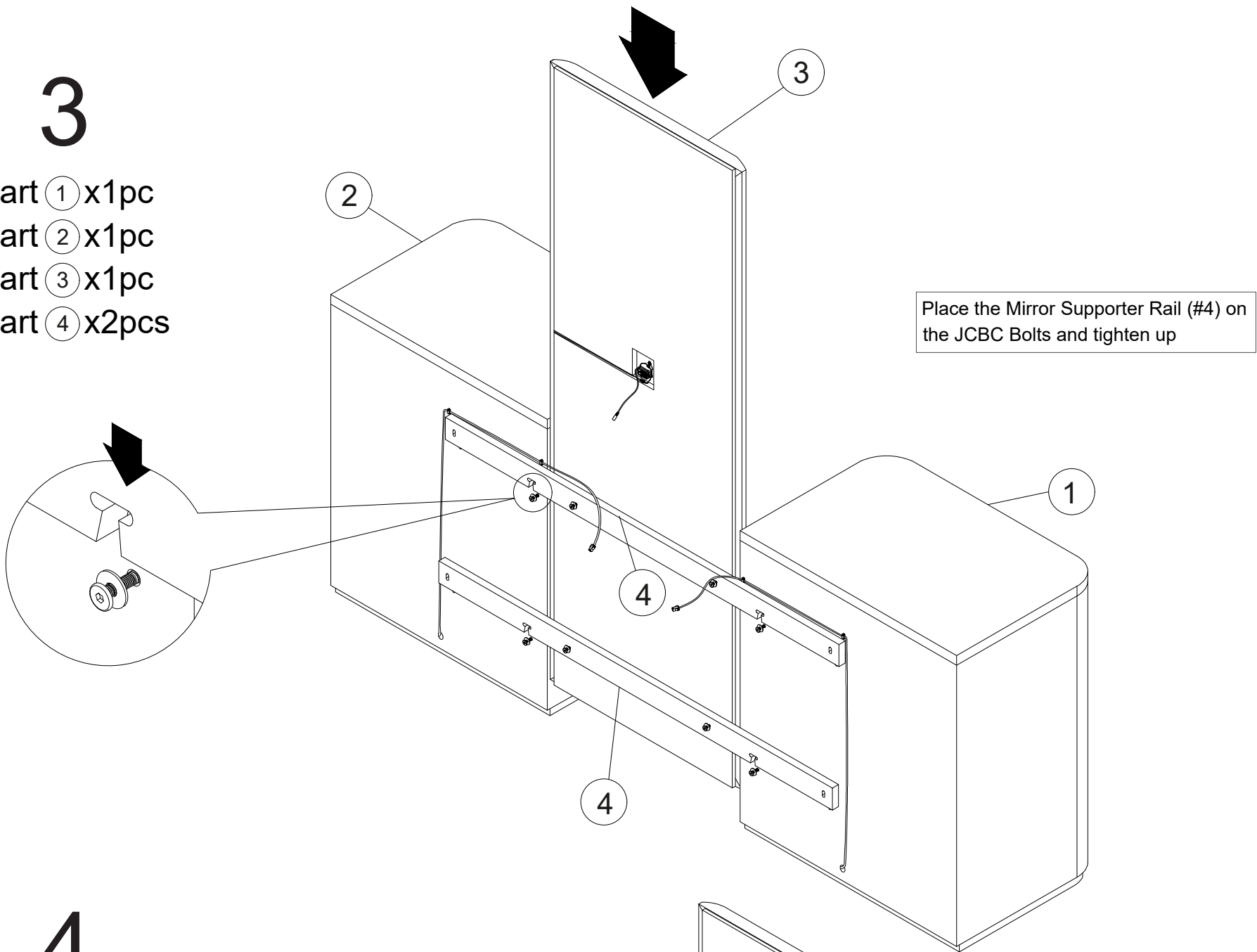
Use Allen Key (#G) to attach the JCBC Screw (#B) with Lock Washer (#C) and Flat Washer (#D).



ASSEMBLY INSTRUCTIONS

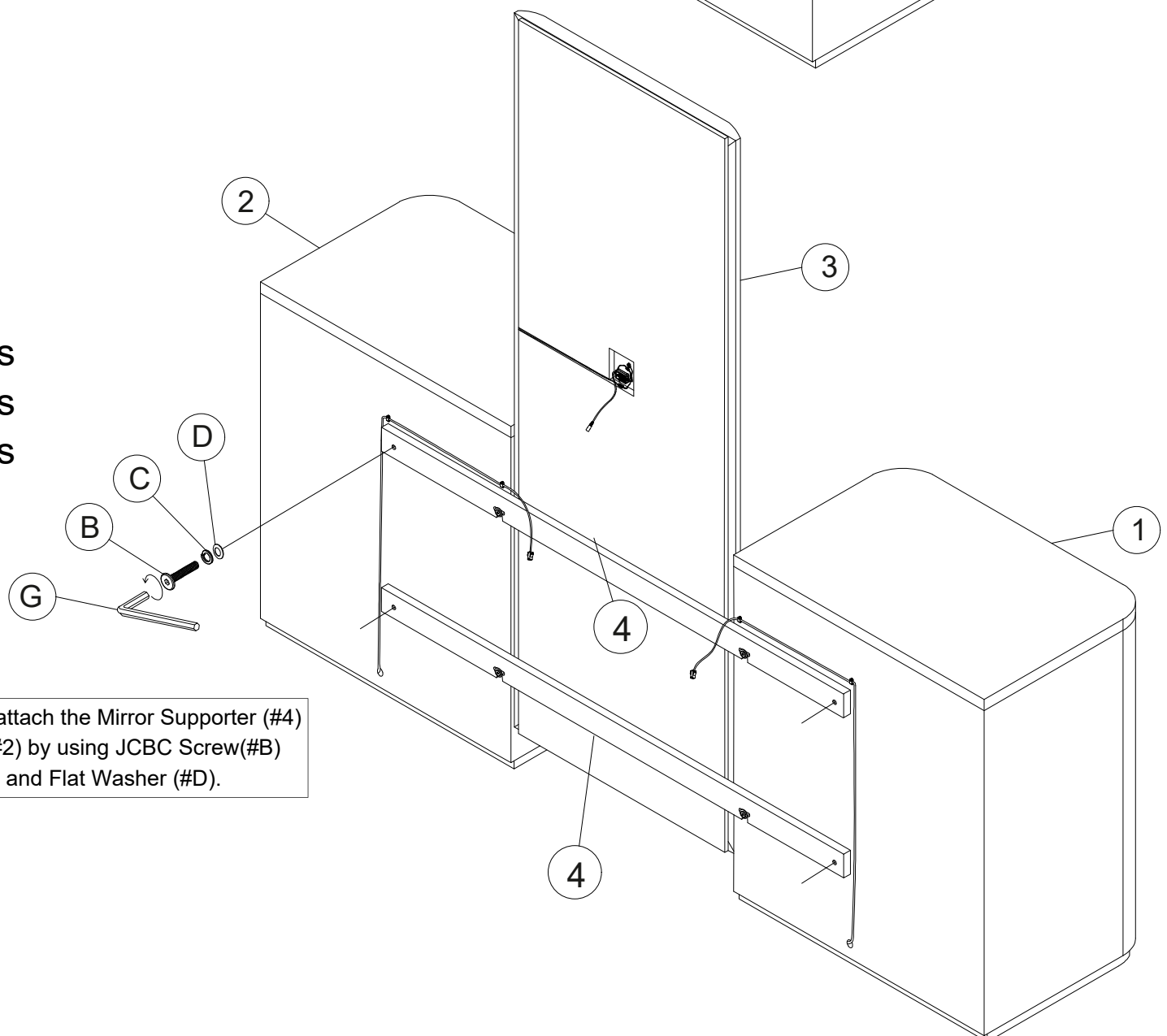
3

- Part ① x1pc
- Part ② x1pc
- Part ③ x1pc
- Part ④ x2pcs



4

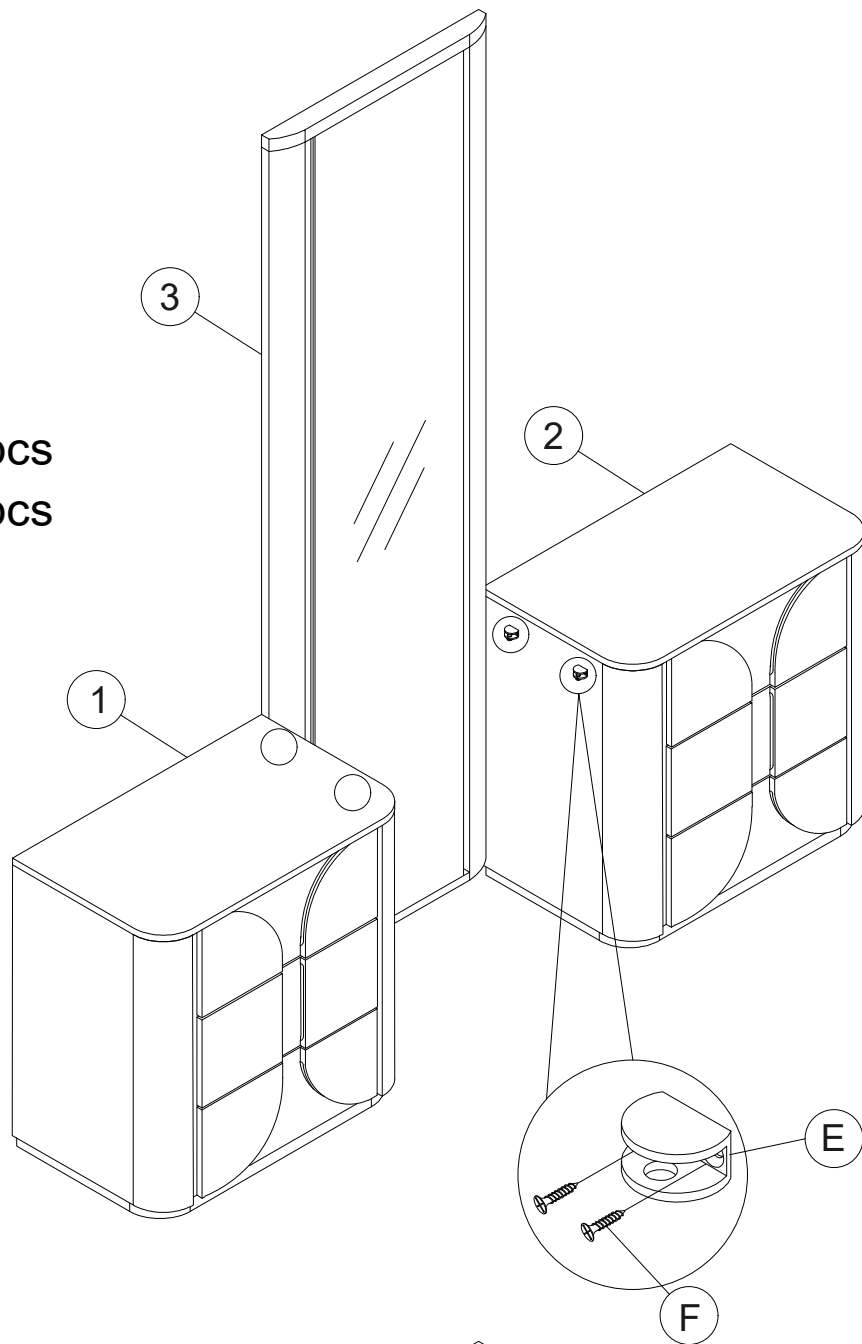
- Part ① x1pc
- Part ② x1pc
- Part ③ x1pc
- Part ④ x2pcs
- Hardware ⑥ x4pcs
- Hardware ⑦ x4pcs
- Hardware ⑧ x4pcs
- Hardware ⑨ x1pc



ASSEMBLY INSTRUCTIONS

5

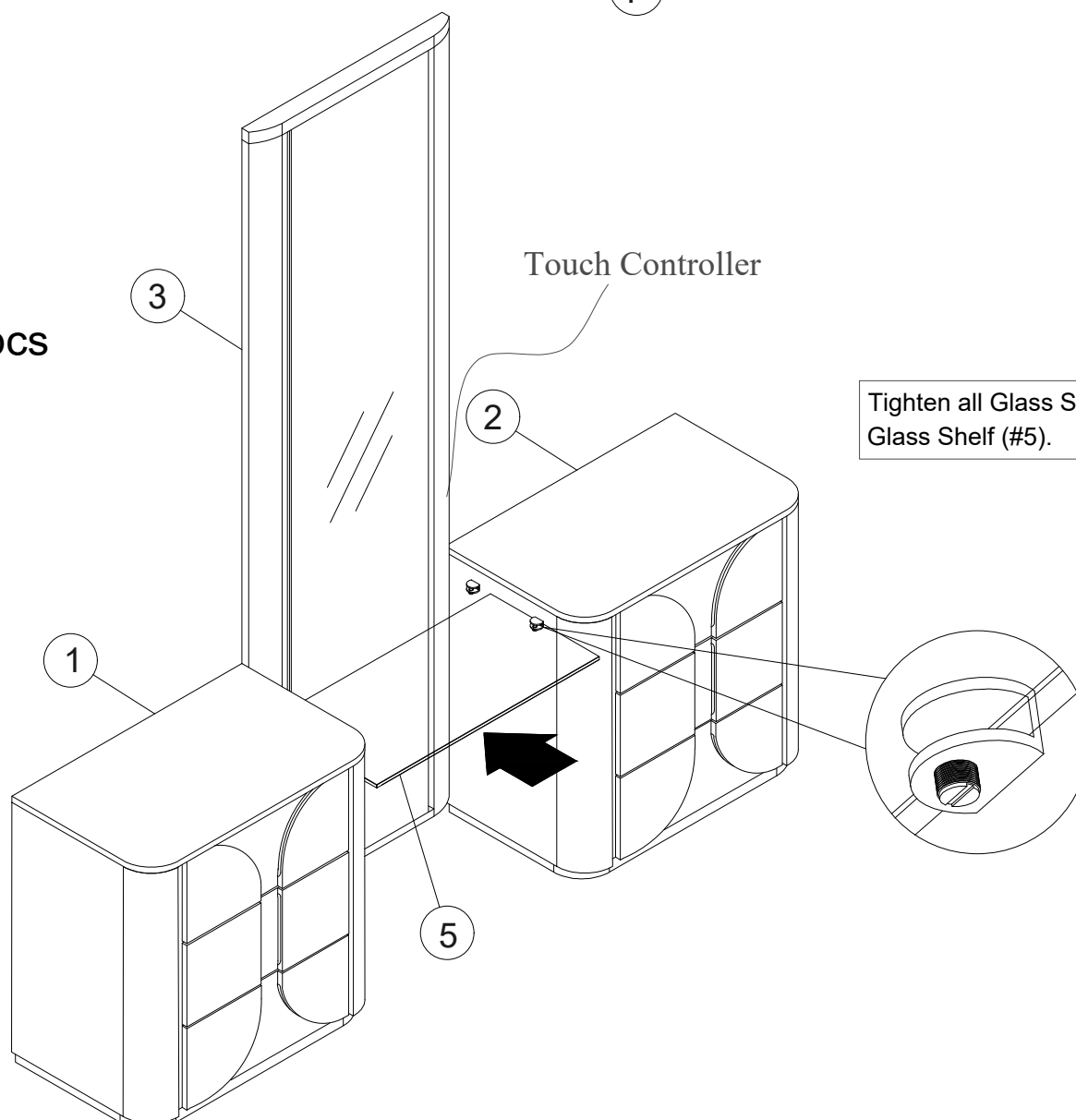
- Part ① x1pc
- Part ② x1pc
- Part ③ x1pc
- Hardware ⑤ x4pcs
- Hardware ⑥ x8pcs



Attach the Glass Shelf Clamp (#E) to Vanity Dresser Left (#1) and Vanity Dresser Right (#2) by using CSK Screw (#F).

6

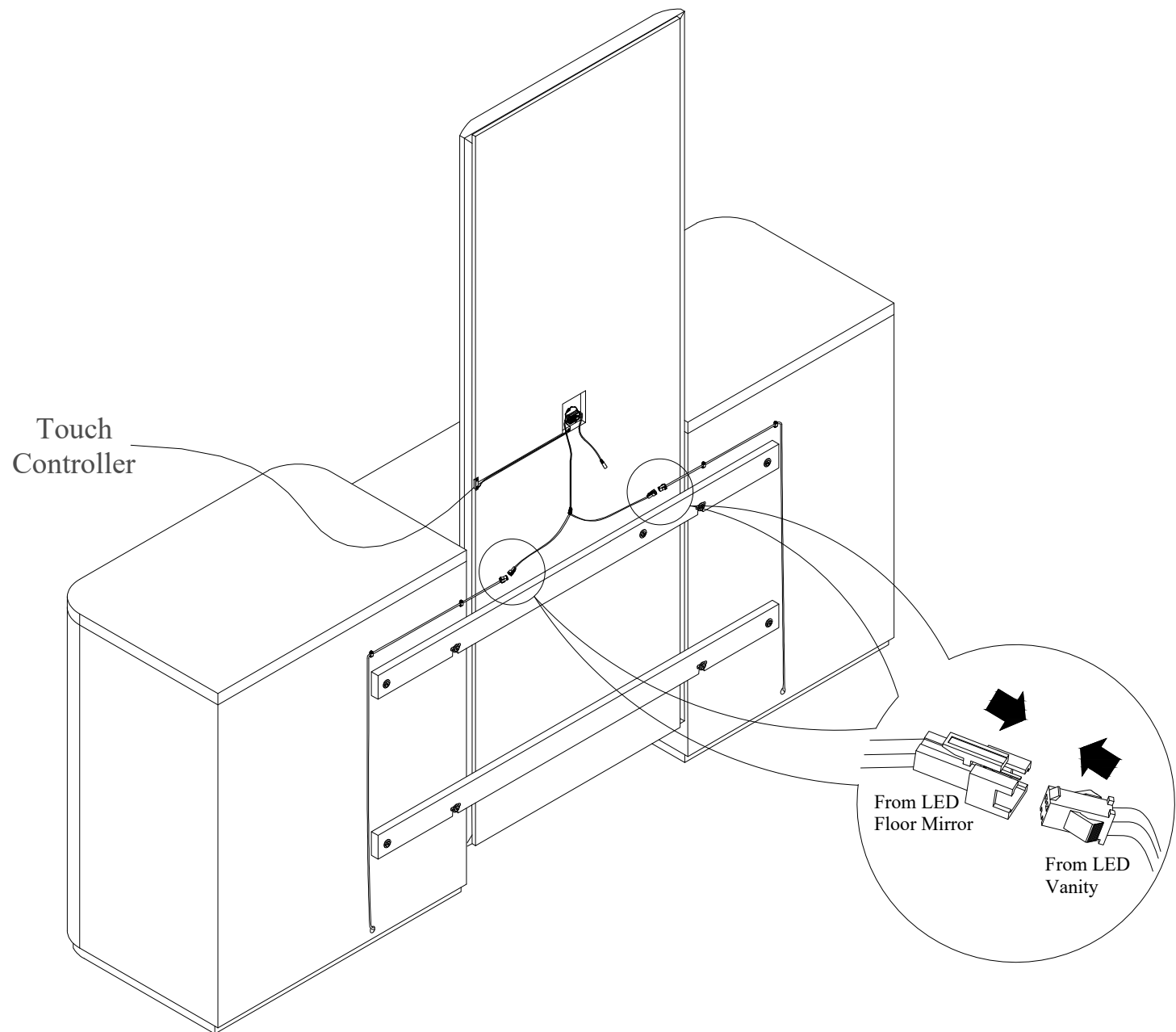
- Part ① x1pc
- Part ② x1pc
- Part ③ x1pc
- Part ⑤ x1pc
- Hardware ⑤ x4pcs



Tighten all Glass Shelf Clamp (#E) after installing Glass Shelf (#5).

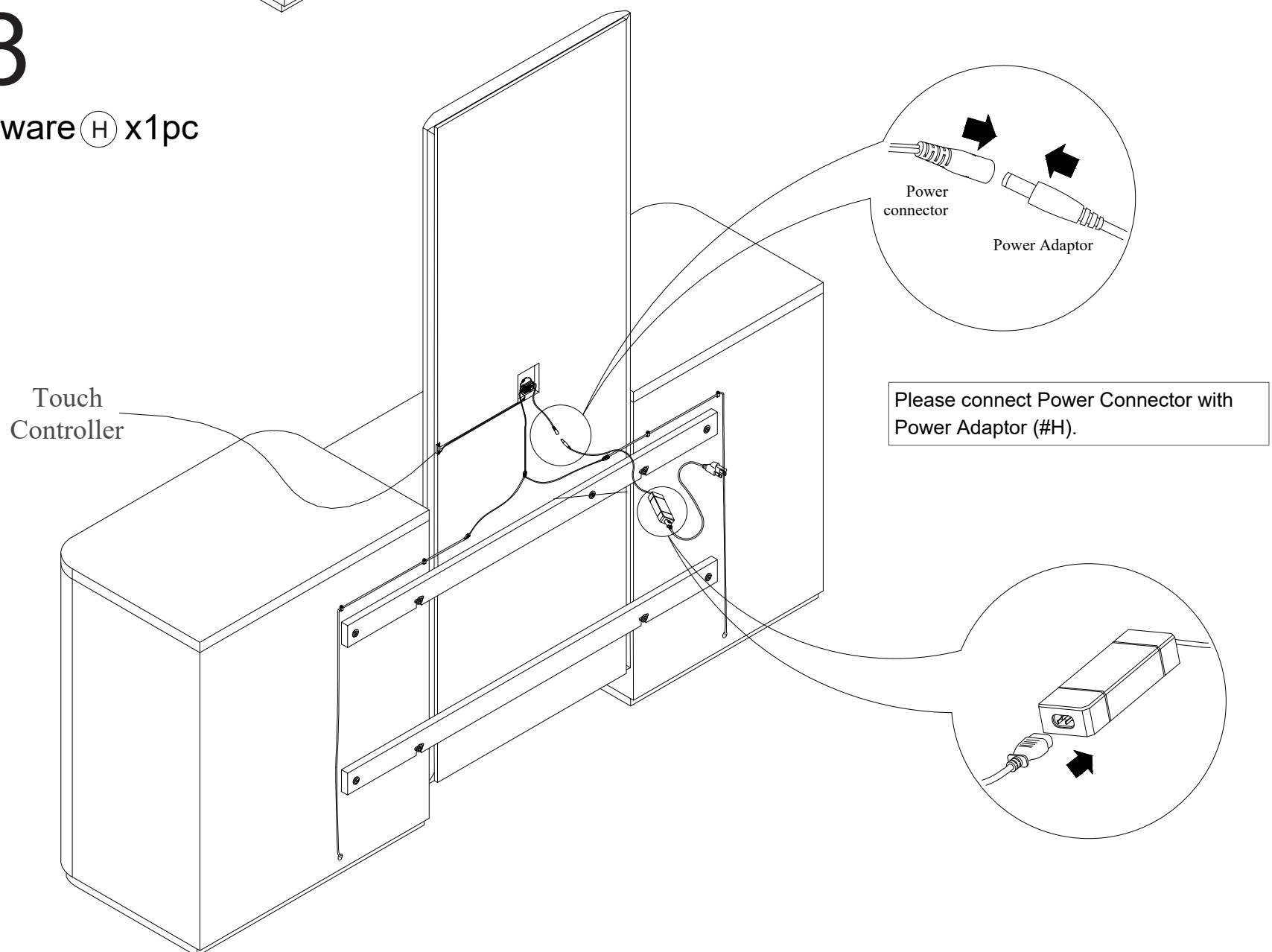
ASSEMBLY INSTRUCTIONS

7



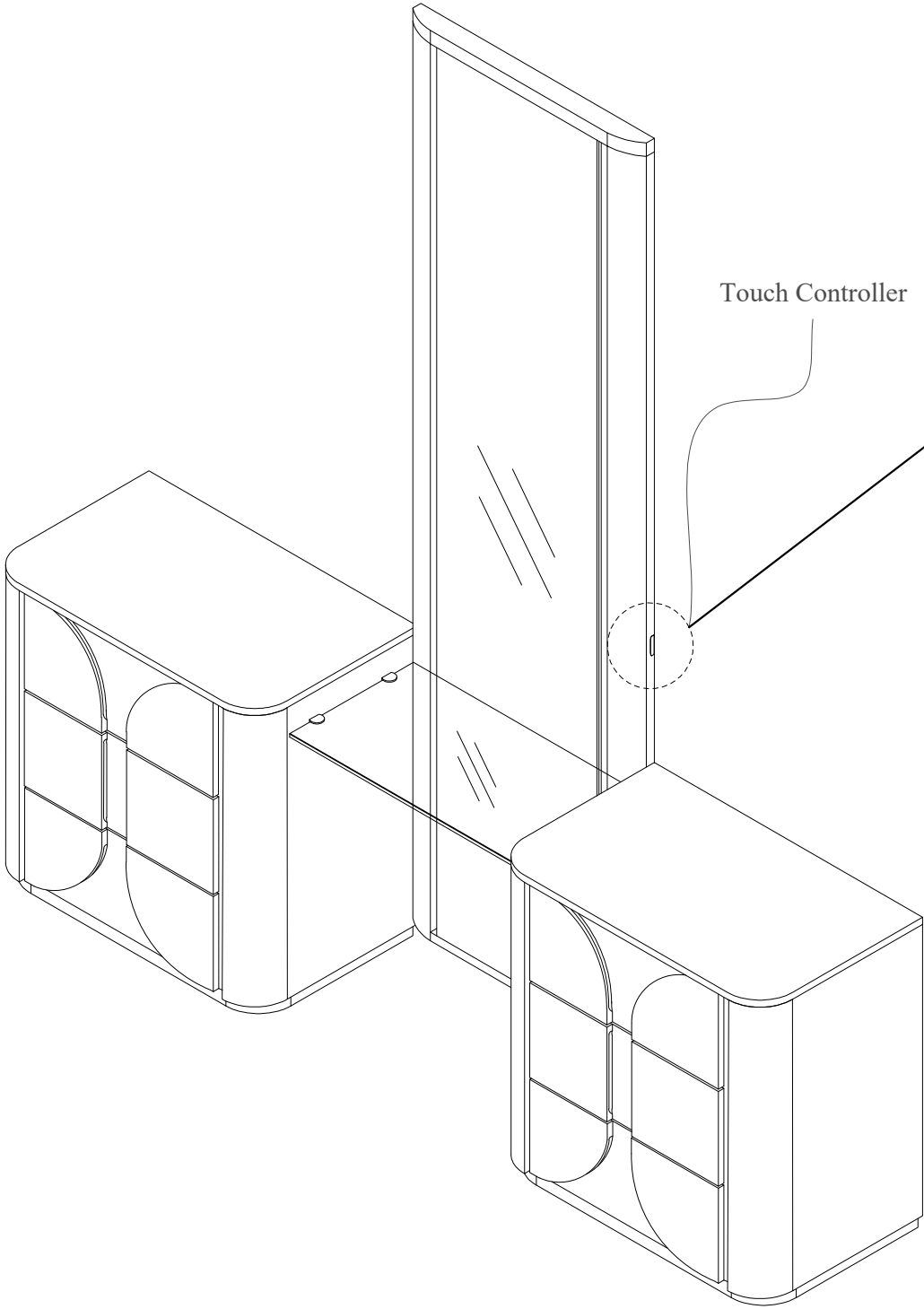
8

Hardware (H) x1pc



ASSEMBLY INSTRUCTIONS

9



TOUCH ME!

Your Touch is the switch

Touch 1 - Night Light
Touch 2 - Energy Saver Light
Touch 3 - Bright Reading Light
Touch 4 - Off

Remark :



Please peel to remove Protection Film

ASSEMBLY COMPLETED



Please ensure the furniture rests on an even and flat surface. If the product wobbles or feels loose, double-check all bolts and/or screws are properly tightened and secured.

- ✓ **Keep this handy!**
Please retain this instruction manual and any order-related information for future reference.
- ✓ **Lift, don't drag!**
To avoid damage to product please always LIFT the product when transporting or adjusting the placement.

This product is intended for RESIDENTIAL USE ONLY and not for commercial use.