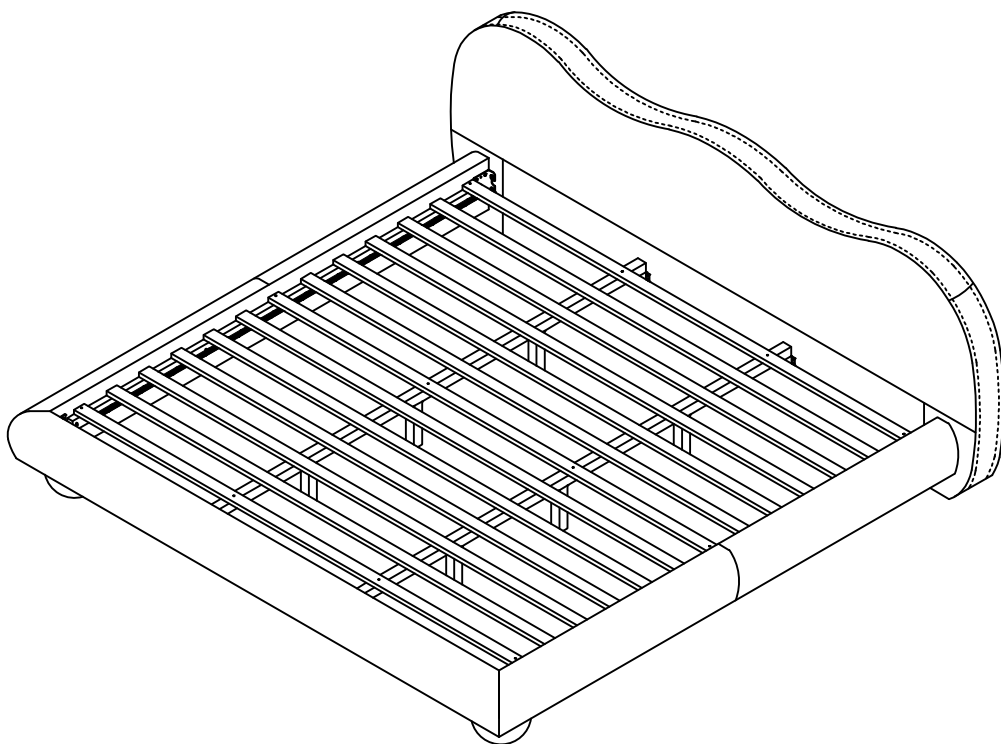
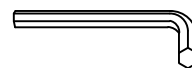


# ASSEMBLY INSTRUCTIONS



## TOOLS REQUIRED



Allen Wrench

(Included)



Screwdriver

(Not Included)



2 - Persons  
Recommended

## ASSEMBLY RATING



EASY ———▶ DIFFICULT

The Assembly Rating is a 5-point system showing the level of effort needed to assemble a specific product.



## **CHECK BEFORE STARTING**

### **Are you missing anything?**

Double-check all parts, hardware and accessories listed are all accounted for.

### **Check out our Quick Tips!**

We recommend reviewing the pre-assembly handouts. Even experts need a refresher now and then!

### **Should we send any replacements?**

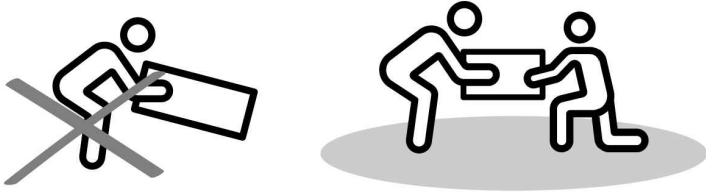
Are there any irregularities or flaws in the parts? We can send replacements!

### **Prep Time!**

Please review the assembly instructions and all diagrams prior to assembling.

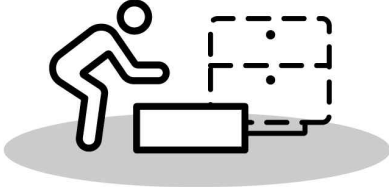
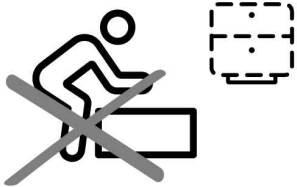
# PRE ASSEMBLY INTRODUCTION

We understand building ready-to-assemble furniture can be a challenging experience for some. To help avoid confusion, we have provided some helpful tips that may speed up the process.



### Teamwork

ALWAYS have at least two people to help with transporting and assembling the product to avoid potential injury and/or damage.



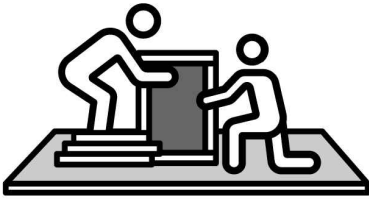
### Suitable Location

Assembling near the area of the intended location is highly recommended.



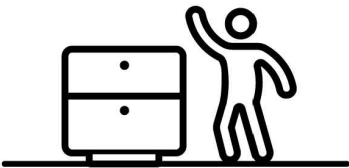
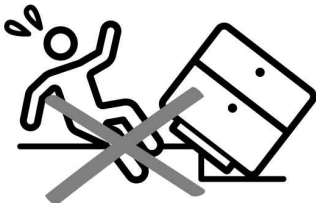
### Sufficient Space

Make sure you have enough space to move around during the assembly.



### Avoid Scratches

Use cardboard, blankets or a carpeted area while assembling furniture to prevent scratches and damages.



### Flat Surface

Make sure the furniture rests on a flat and level surface with each leg evenly touching the floor.

# ASSEMBLY AND CARE ADVICE



**FAILURE TO FOLLOW THE GUIDELINES BELOW MAY RESULT IN INJURY AND/OR PROPERTY DAMAGE.**



Position each part correctly and insert screws or bolts into their respective holes.



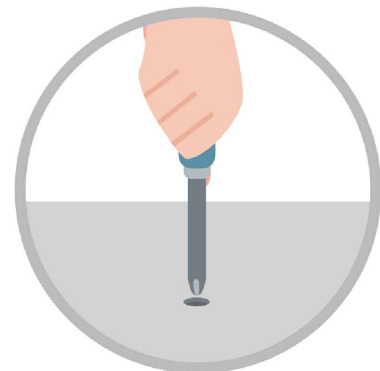
Turn clockwise to tighten and only tighten when step is completed or when instructed to do so.



Use the appropriate hand tools or power tools for assembly. Select steps, such as tightening screws and/or bolts, may require hand tools to avoid causing damage during assembly.



Save the instructions and store any supplied tools for later maintenance.



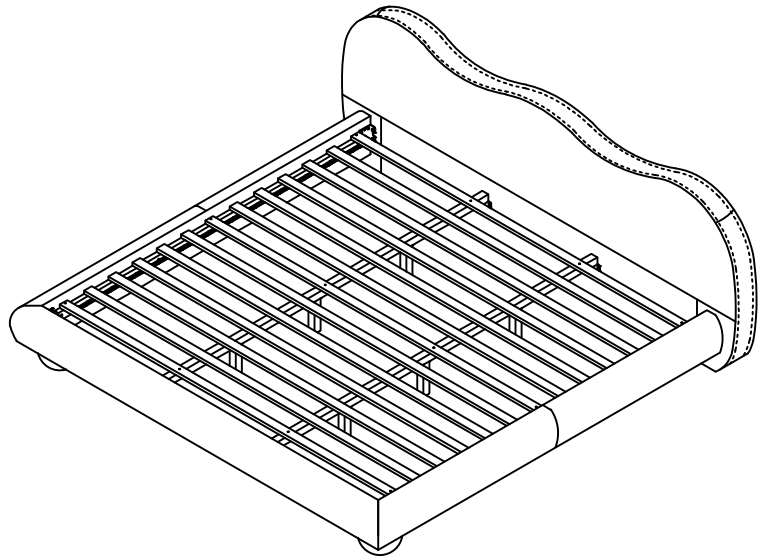
After two weeks, check and tighten any loose hardware and repeat again every six months thereafter.

**IT IS THE USER'S RESPONSIBILITY TO MAINTAIN THE FURNITURE. THE HARDWARE MAY LOOSEN OVER TIME AND MAY CAUSE THE FURNITURE TO BE WOBBLY AND UNABLE TO SUPPORT ITS INTENDED WEIGHT CAPACITY. THIS MAY LEAD TO COLLAPSE AND MAY CAUSE SERIOUS INJURY.**

# KING BED

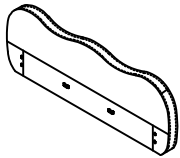


- Please keep instructions for future reference.
- Check the quantity and irregularity of parts and hardware before you start.



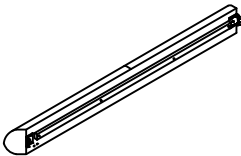
## PARTS

#1 1pc



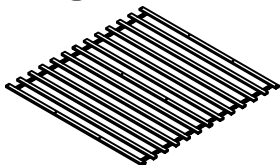
Headboard

#4 2pcs



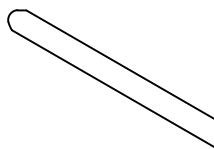
Side Rail

#7 1set



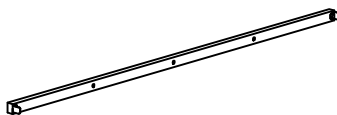
Slat

#2 1pc



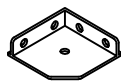
Footboard

#5 2pcs



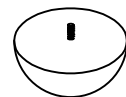
Center Rail

#8 2pcs



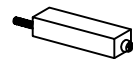
Vmb 3191

#3 2pcs



Bed Leg

#6 6pcs



Support Leg

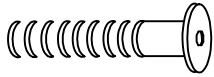
#9 2pcs



5/16 Hex Nut

# HARDWARE

#A 8pcs



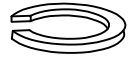
Jcbc Bolt M6 x 20mm

#B 8pcs



M6 Flat Washer

#C 8pcs



M6 Spring Washer

#D 2pcs



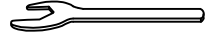
M8 Flat Washer

#E 2pcs



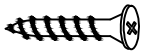
M8 Spring Washer

#F 1pc



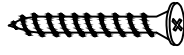
Spanner 13mm

#G 4pcs



Wood Screw M4 x 20mm

#H 12pcs



Wood Screw M4 x 32mm

#I 1pc



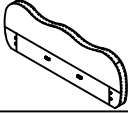
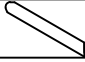













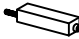


M4 Allen Wrench

#J 1pc



M5 Allen Wrench

# POINT 3 CARTONS

Carton	Designation	Part		Hardware
	Headboard (1pc)	#1		
	Footboard (1pc)	#2		<ul style="list-style-type: none"> <li> #A x 8pcs</li> <li> #B x 8pcs</li> <li> #C x 8pcs</li> <li> #D x 2pcs</li> <li> #E x 2pcs</li> <li> #F x 1pc</li> <li> #G x 4pcs</li> <li> #H x 12pcs</li> <li> #I x 1pc</li> <li> #J x 1pc</li> </ul>
	Bed Leg (2pcs)	#3		
	Side Rail (2pcs)	#4		
	Center Rail (2pcs)	#5		
	Support Leg (6pcs)	#6		
	Vmb 3191 (2pcs)	#8		
	5/16 Hex Nut (2pcs)	#9		
		Slat (1Set)	#7	

# ASSEMBLY INSTRUCTIONS

1

- Part #1 x1pc
- Part #2 x1pc
- Hardware #J x1pc

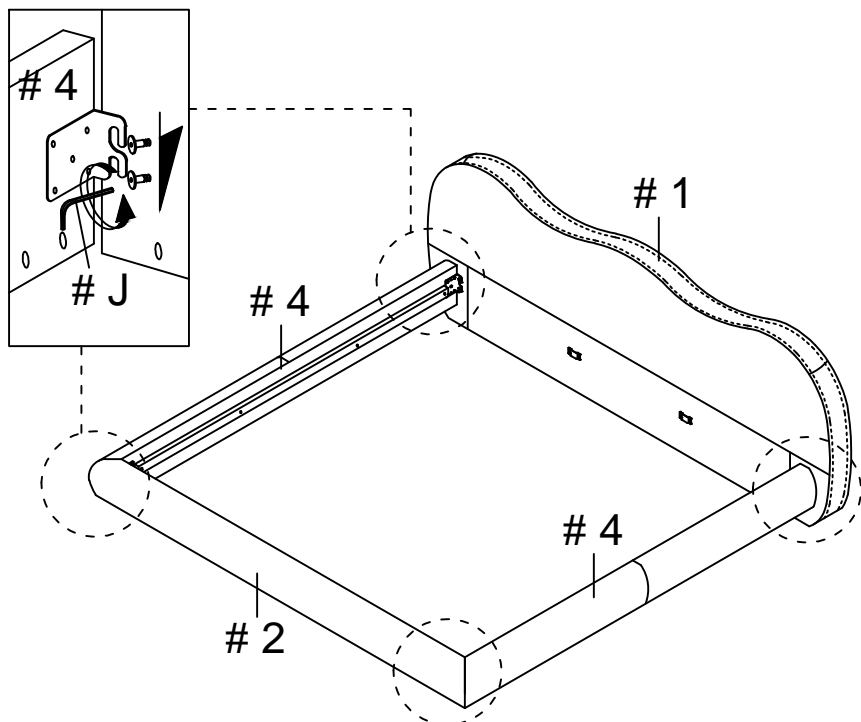
Loosen the pre-inserted bolt on the headboard and footboard using allen wrench (#J)



2

- Part #1 x1pc
- Part #2 x1pc
- Part #4 x2pcs
- Hardware #J x1pc

Align the side rail (#4) to the headboard (#1) and footboard (#2). Secure using allen wrench (#J).

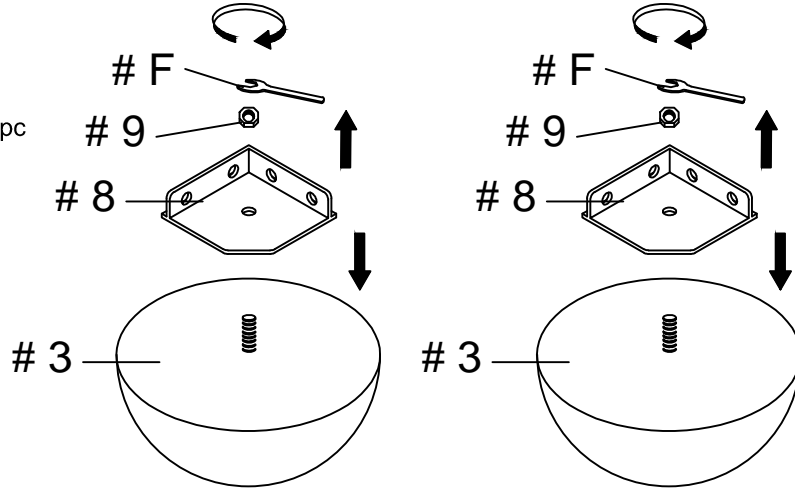


# ASSEMBLY INSTRUCTIONS

## 3

Take out the vmb3191 (#8), bed leg (#9) first and using Spanner (#F).

- Part #3 x2pcs
- Part #8 x2pcs
- Part #9 x2pcs
- Hardware #F x1pc

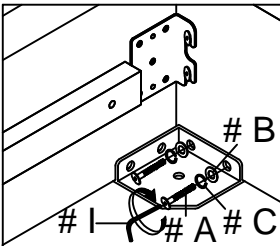


## 4

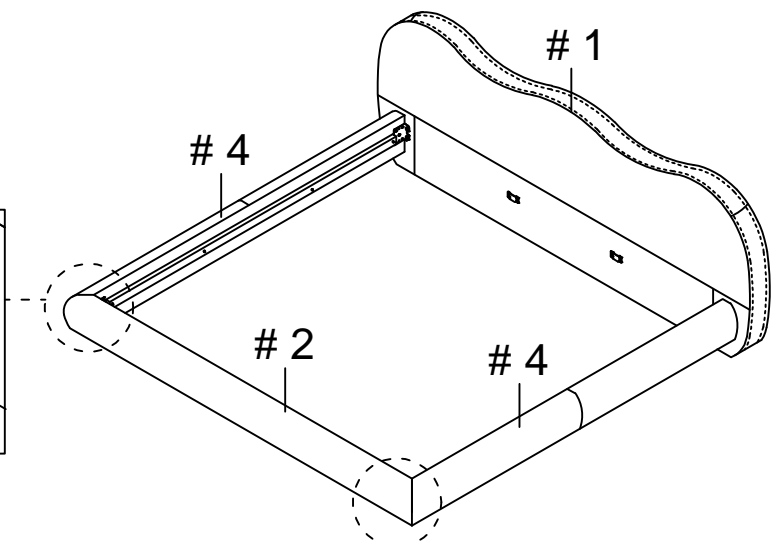
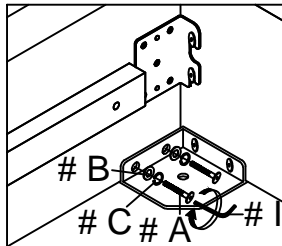
Attach the Vmb 3191 (#8) to the footboard (#2) and side rail (#4), secure by using bolt (#A), flat washer (#B) and spring washer (#C).

- Part #1 x1pc
- Part #2 x1pc
- Part #4 x2pcs
- Hardware #A x8pcs
- Hardware #B x8pcs
- Hardware #C x8pcs
- Hardware #I x1pc

4.1



4.2

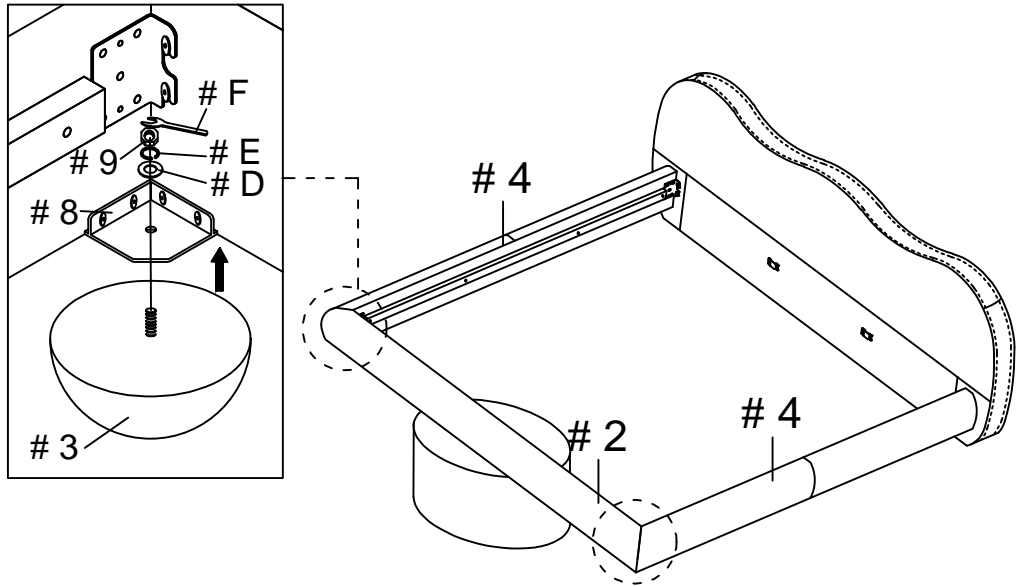


# ASSEMBLY INSTRUCTIONS

## 5

- Part #2 x1pc
- Part #3 x2pcs
- Part #4 x2pcs
- Part #8 x2pcs
- Part #9 x2pcs
- Hardware #D x2pcs
- Hardware #E x2pcs
- Hardware #F x1pc

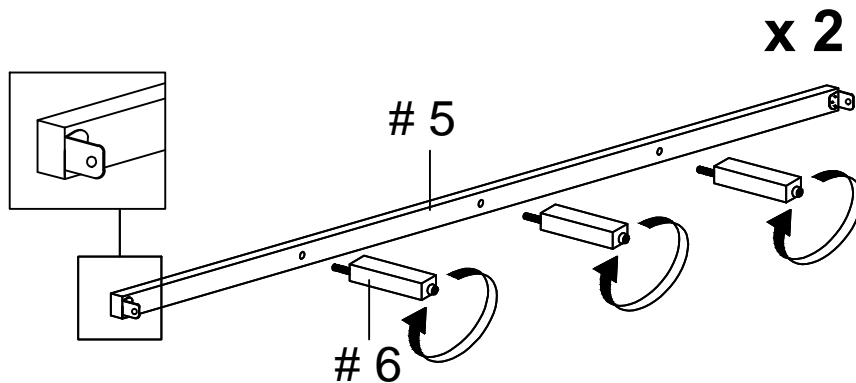
Attach the bed leg (#3) to the Vmb3191 (#8), secure by using flat washer (#D) and spring washer (#E), spanner (#F) and hex nut (#9).



## 6

- Part #5 x2pcs
- Part #6 x6pcs

Attach the support leg (#6) to the center rail (#5).

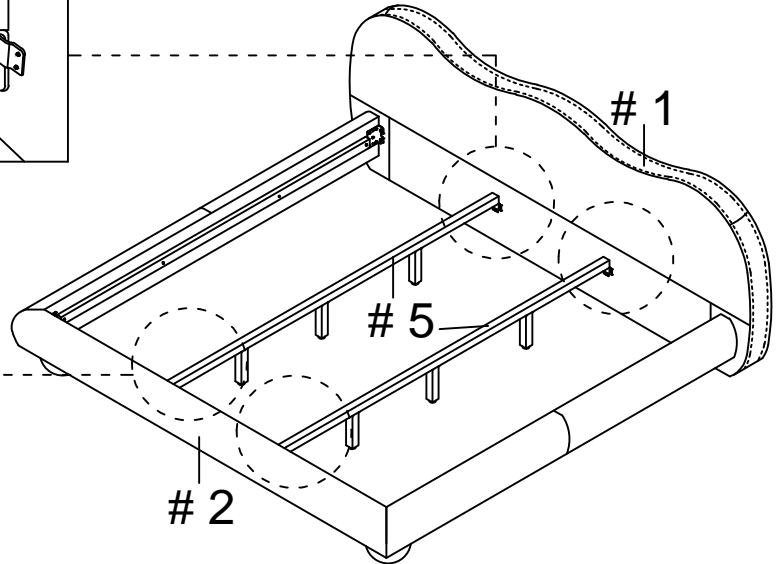
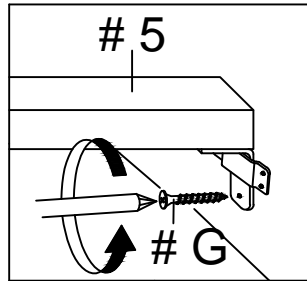


# ASSEMBLY INSTRUCTIONS

## 7

Hook the center rail (#5) into the insert on the Headboard (#1) and the footboard (#2).

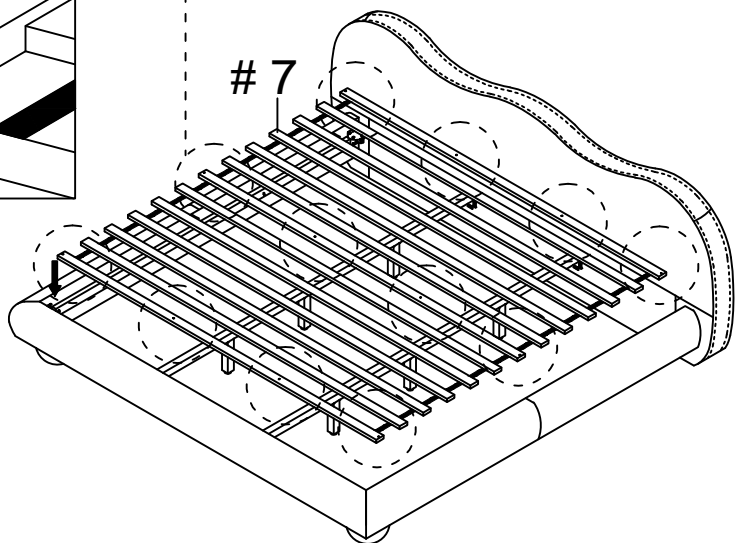
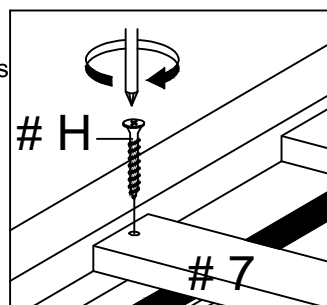
- Part #1 x1pc
- Part #2 x1pc
- Part #5 x2pcs
- Hardware #G x4pcs



## 8

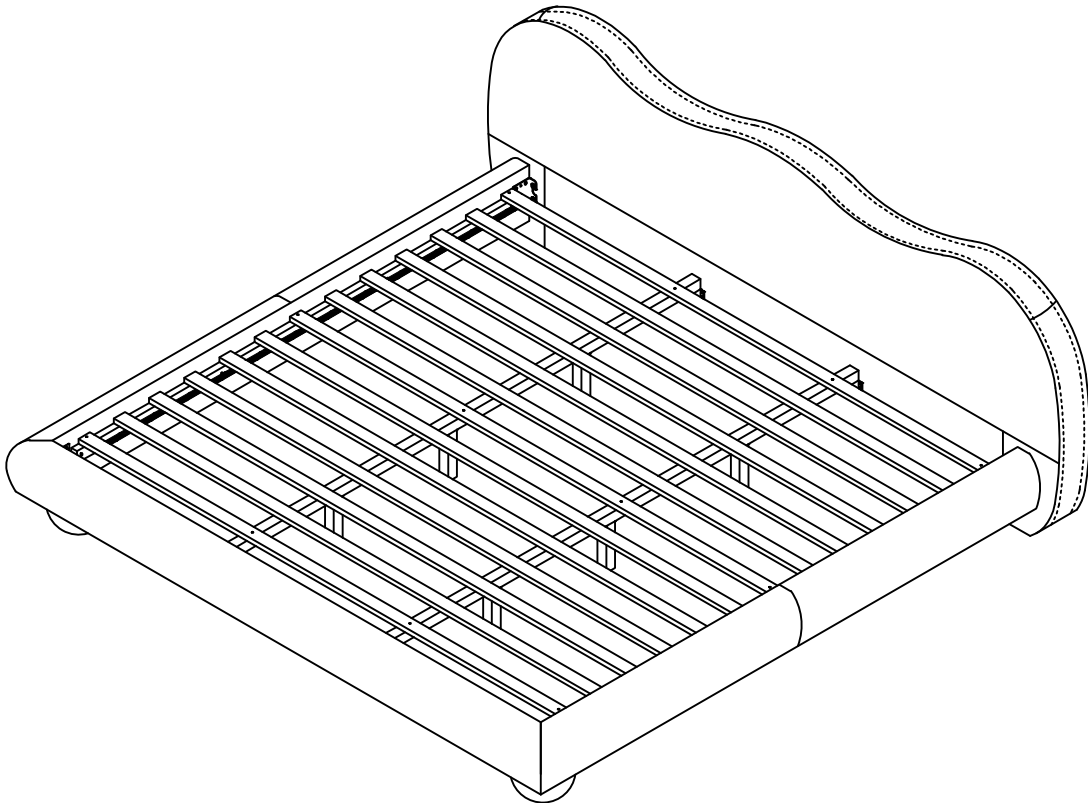
Spread slat set(#7) evenly over the rails (#4) and center rail (#5). Secure onto the side rails (#4) using Screw (#H).

- Part #7 x1set
- Hardware #H x12pcs



# ASSEMBLY INSTRUCTIONS

9



## ASSEMBLY COMPLETED



Please ensure the furniture rests on an even and flat surface. If the product wobbles or feels loose, double-check all bolts and/or screws are properly tightened and secured.



### Keep this handy!

Please retain this instruction manual and any order-related information for future reference.



### Lift, don't drag!

To avoid damage to product please always LIFT the product when transporting or adjusting the placement.

This product is intended for RESIDENTIAL USE ONLY and not for commercial use.