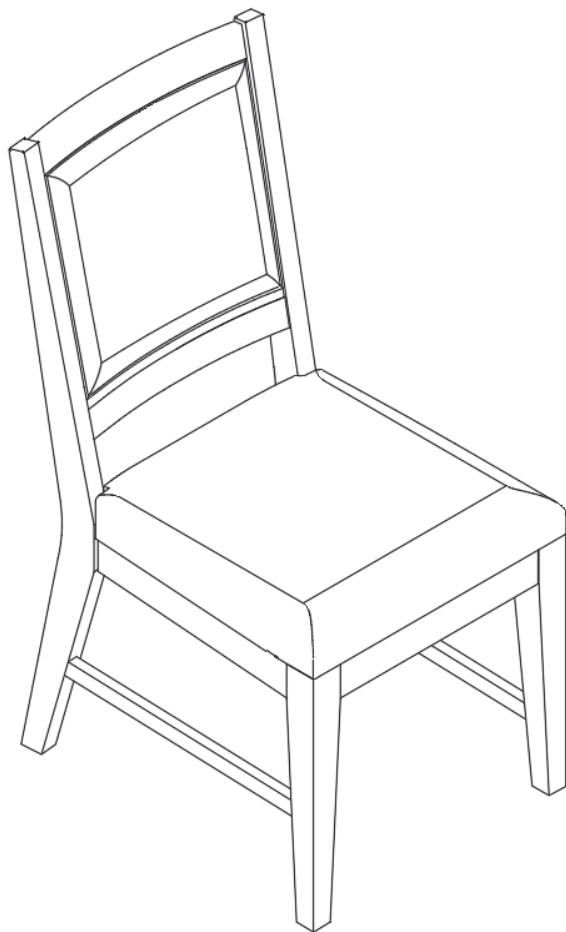


ASSEMBLY INSTRUCTIONS



TOOLS REQUIRED



ALLEN KEY
(Included)



2 PEOPLE

ASSEMBLY RATING



EASY —————> DIFFICULT

The Assembly Rating is a 5-point system showing the level of effort needed to assemble a specific product.



CHECK BEFORE STARTING

Are you missing anything?

Double-check all parts, hardware and accessories listed are all accounted for.

Check out our Quick Tips!

We recommend reviewing the pre-assembly handouts. Even experts need a refresher now and then!

Should we send any replacements?

Are there any irregularities or flaws in the parts? We can send replacements!

Prep Time!

Please review the assembly instructions and all diagrams prior to assembling.

PRE ASSEMBLY INTRODUCTION

We understand building ready-to-assemble furniture can be a challenging experience for some. To help avoid confusion, we have provided some helpful tips that may speed up the process.



Teamwork

ALWAYS have at least two people to help with transporting and assembling the product to avoid potential injury and/or damage.



Suitable Location

Assembling near the area of the intended location is highly recommended.



Sufficient Space

Make sure you have enough space to move around during the assembly.



Avoid Scratches

Use cardboard, blankets or a carpeted area while assembling furniture to prevent to prevent scratches and damages.



Flat Surface

Make sure the furniture rests on a flat and level surface with each leg evenly touching the floor.

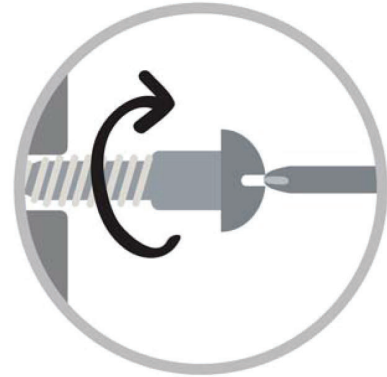
ASSEMBLY AND CARE ADVICE



FAILURE TO FOLLOW THE GUIDELINES BELOW MAY RESULT IN INJURY AND/OR PROPERTY DAMAGE.



Position each part correctly and insert screws or bolts into their respective holes.



Turn clockwise to tighten and only tighten when step is completed or when instructed to do so.



Use the appropriate hand tools or power tools for assembly. Select steps, such as tightening screws and/or bolts, may require hand tools to avoid causing damage during assembly.



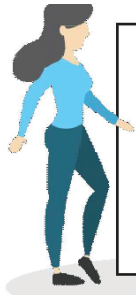
Save the instructions and store any supplied tools for later maintenance.



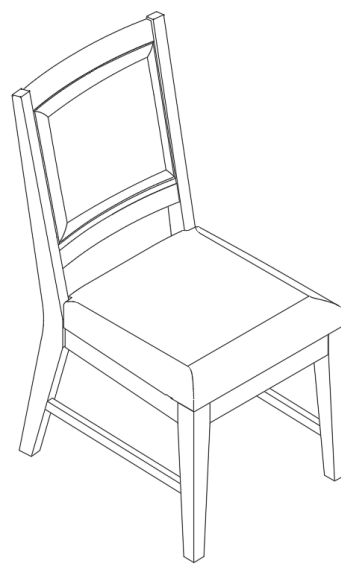
After two weeks, check and tighten any loose hardware and repeat again every six months thereafter.

IT IS THE USER'S RESPONSIBILITY TO MAINTAIN THE FURNITURE. THE HARDWARE MAY LOOSEN OVER TIME AND MAY CAUSE THE FURNITURE TO BE WOBBLY AND UNABLE TO SUPPORT ITS INTENDED WEIGHT CAPACITY. THIS MAY LEAD TO COLLAPSE AND MAY CAUSE SERIOUS INJURY.

DINING CHAIR

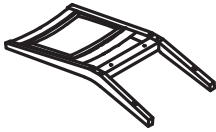


- Please keep instructions for future reference.
- Check the quantity and irregularity of parts and hardware before you start.



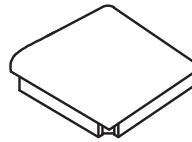
PARTS

①



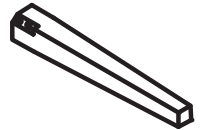
BACK FRAME
1 pc x2 .

②



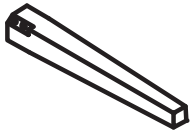
SEAT FRAME
1 pc x 2.

③



RIGHT FRONT LEG
1 pc x 2.

④



LEFT FRONT LEG
1 pc x 2.

⑤



RIGHT SIDE
STRETCHER
1 pc x 2

⑥



LEFT SIDE
STRETCHER
1 pc x 2

HARDWARE



BOLT (WITHOUT HEAD)
(Ø1/4 * 1-3/4")
2 pcsx 2.



SPRING WASHER
Ø1/4 * 12MM
2 pcsx 2.



FLAT WASHER
Ø1/4-19MM*2MM
2 pcsx 2.



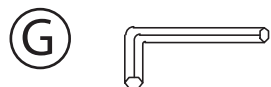
BOLT (WITHOUT HEAD)
(Ø5/16 * 2-1/2")
8 pcs x 2.



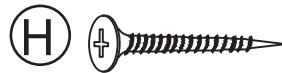
SPRING WASHER
Ø5/16 * 12MM
8 pcs x 2.



FLAT WASHER
Ø5/16-19MM*2MM
8 pcs x 2.

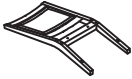

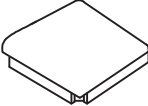













ALLEN KEY
(M4*59MM)
1 pc x 2.



SCREW
(Ø4*50MM)
4 pcs x 2.

packed in 1 cases

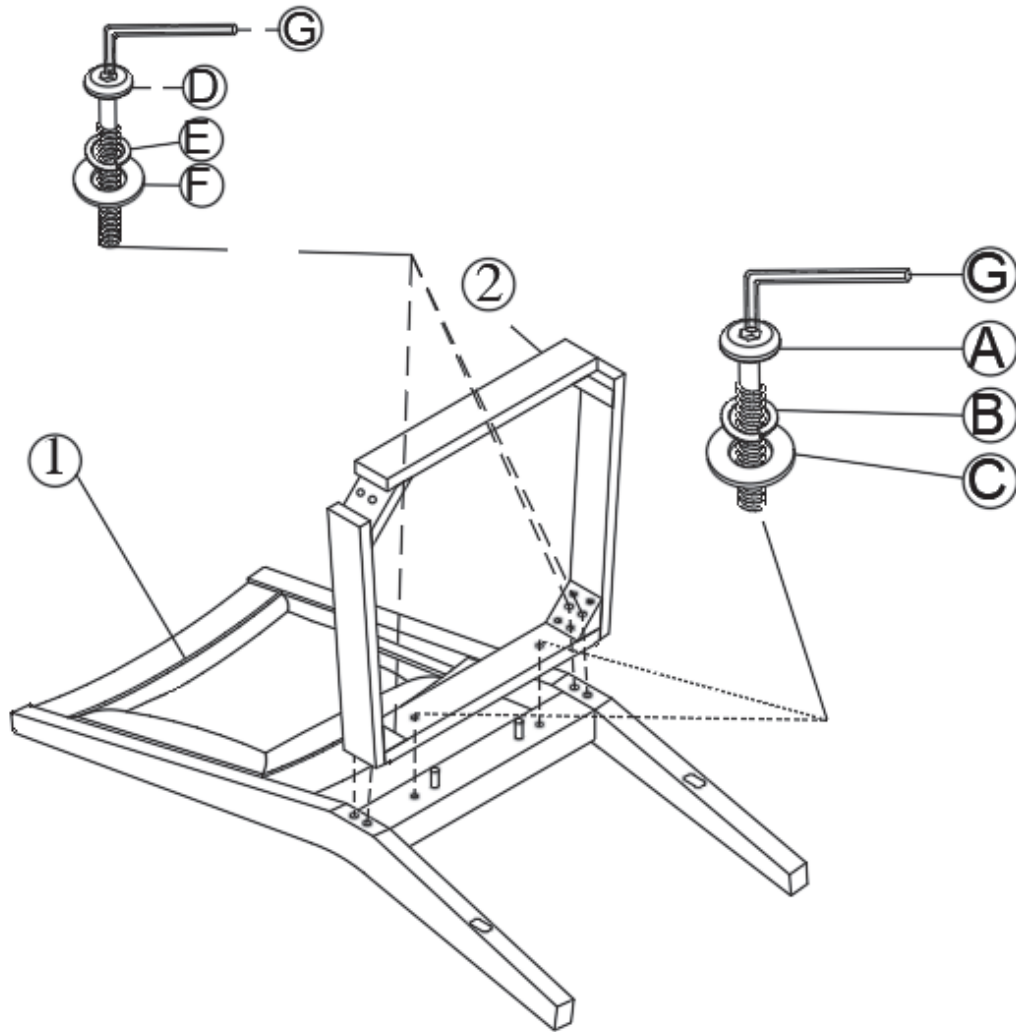
Carton	Disignation		Part	Hardware
	Back Frame	①		 A 2 pcsx2
	Seat Frame	②		 B 2 pcsx2
	Right Front Leg	③		 C 2 pcsx2
	Left Front Leg	④		 D 8 pcsx2
	R Side Stretcher	⑤		 E 8 pcsx2
	L Side Stretcher	⑥		 F 8 pcsx2  G 1 pcx2  H 4 pcsx2

1

ASSEMBLY INSTRUCTIONS

- Part ① x 1pc
- Part ② x 1pc
- Hardware ① x 2pcs
- Hardware ② x 2pcs
- Hardware ③ x 2pcs
- Hardware ④ x 4pcs
- Hardware ⑤ x 4 pcs
- Hardware ⑥ x 4pcs

Use the wooden dowels on the back frame to align the Seat frame (#2) to the Back frame (#1). Secure at the center by using Bolt (#A) with Spring washer (#B) and Flat washer (#C). Secure the back legs to the seat (#2) by using Bolt (#D) with Spring washer (#E) with Flat washer (#F).



ASSEMBLY INSTRUCTIONS

2

Part ③ x 1pc

Part ④ x 1pc

Part ⑤ x 1pcs

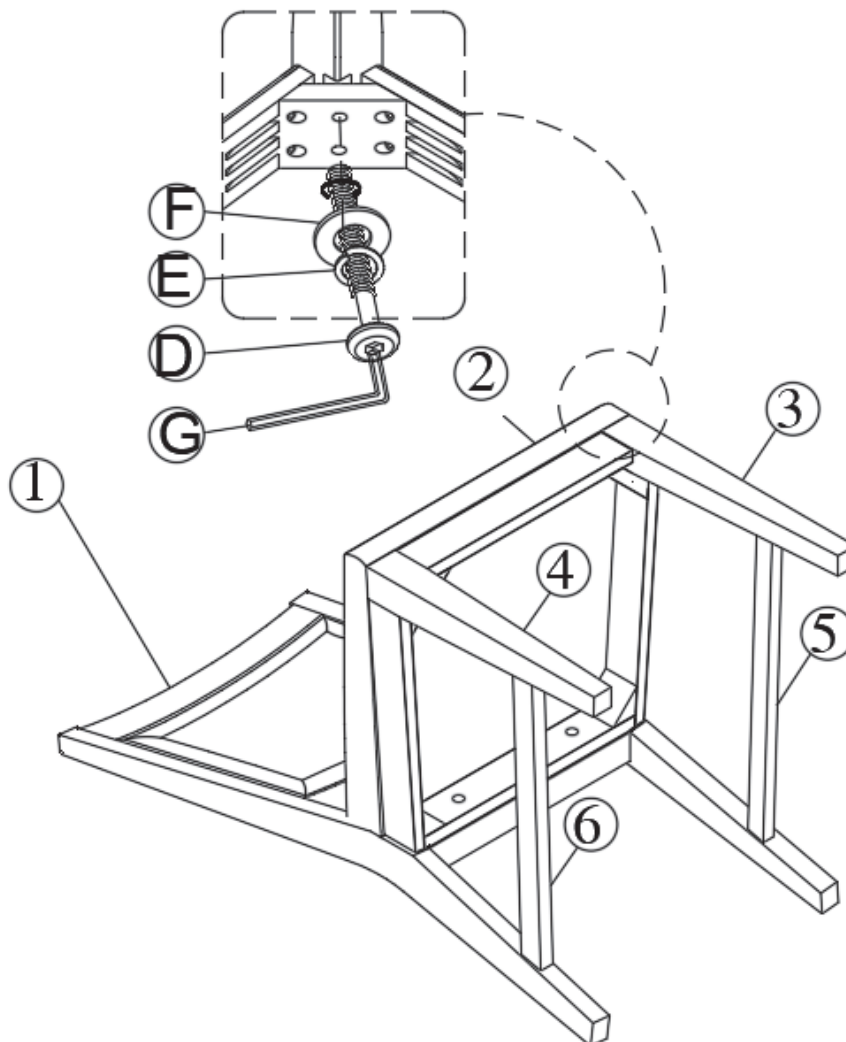
Part ⑥ x 1pcs

Hardware ① x 4pcs

Hardware ② x 4pcs

Hardware ③ x 4 pcs

Align the Right/Left front Leg (#3,#4) to the Seat frame (#2). Install the Chair side rails (#5,#6) in between the front and back legs. Secure front legs (#3,#4) to Seat (#2) by using Bolt (#D) with Spring washer (#E) and Flat washer (#F).

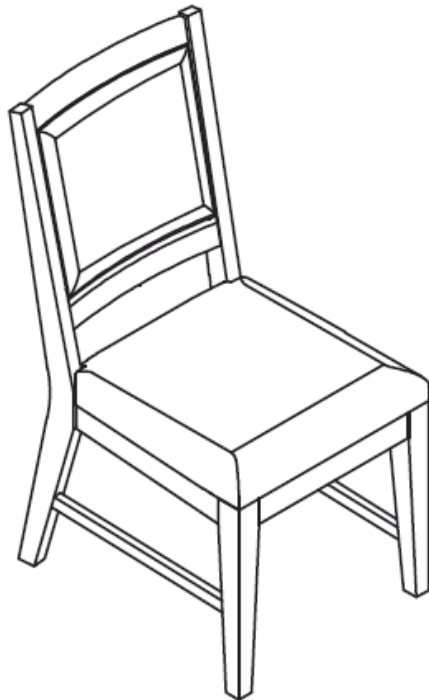
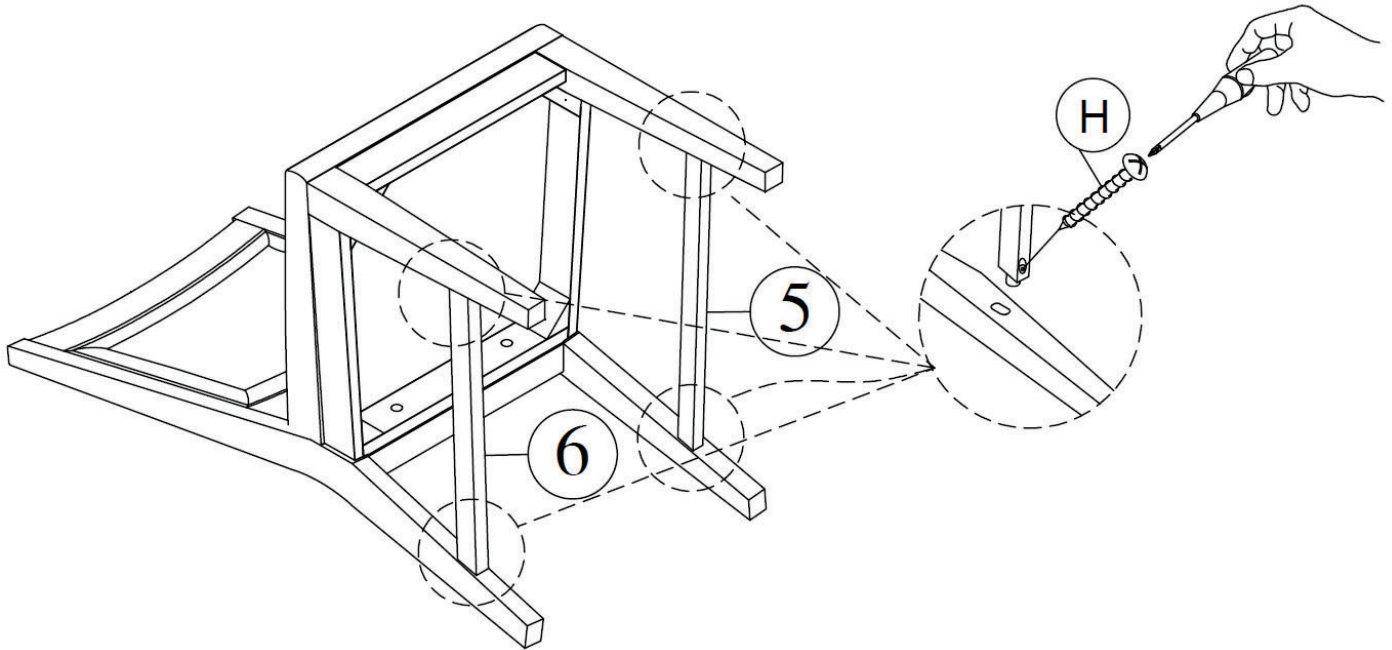


ASSEMBLY INSTRUCTIONS

3

Hardware H x 4pcs

Secure the Chair side rail (#5,#6) by using Screw (#H).



ASSEMBLY COMPLETED



Please ensure the furniture rests on an even and flat surface. If the product wobbles or feels loose, double-check all bolts and/or screws are properly tightened and secured.



Keep this handy!

Please retain this instruction manual and any order-related information for future reference.



Lift, don't drag!

To avoid damage to product please always LIFT the product when transporting or adjusting the placement.

This product is intended for RESIDENTIAL USE ONLY and not commercial use.