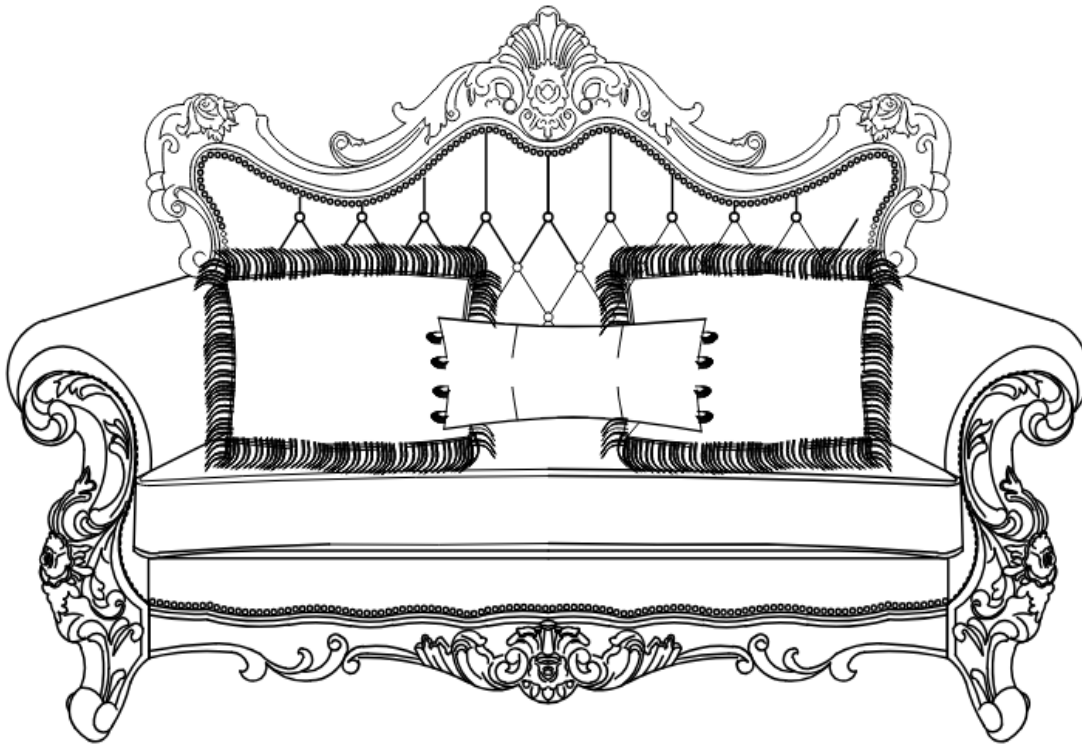


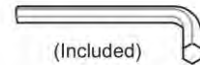
ASSEMBLY INSTRUCTIONS



TOOLS REQUIRED



Screwdriver
(Not included)



(Included)
Allen Wrench



2 - People

ASSEMBLY RATING



EASY → DIFFICULT

The Assembly Rating is a 5-point system showing the level of effort needed to assemble a specific product.



CHECK BEFORE STARTING



Are you missing anything?

Double-check all parts, hardware and accessories listed are all accounted for.



Should we send any replacements?

Are there any irregularities or flaws in the parts? We can send replacements!



Check out our Quick Tips!

We recommend reviewing the pre-assembly handouts. Even experts need a refresher now and then!



Prep Time!

Please review the assembly instructions and all diagrams prior to assembling.

PRE ASSEMBLY INTRODUCTION

We understand building ready-to-assemble furniture can be a challenging experience for some. To help avoid confusion, we have provided some tips that may speed up the process.



Teamwork

ALWAYS have at least two people to help with transporting and assembling the product to avoid potential injury and/or damage.



Suitable Location

Assembling near the area of the intended location is highly recommended.



Sufficient Space

Make sure you have enough space to move around during the assembly.



Avoid Scratches

Use cardboard, blankets or a carpeted area while assembling furniture to prevent to prevent scratches and damages.



Flat Surface

Make sure the furniture rests on a flat and level surface with each leg evenly touching the floor.

ASSEMBLY AND CARE ADVICE



FAILURE TO FOLLOW THE GUIDELINES BELOW MAY RESULT IN INJURY AND/OR PROPERTY DAMAGE.



Position each part correctly and insert screws or bolts into their respective holes.



Turn clockwise to tighten and only tighten when step is completed or when instructed to do so.



Use the appropriate hand tools or power tools for assembly. Select steps, such as tightening screws and/or bolts, may require hand tools to avoid causing damage during assembly.



Save the instructions and store any supplied tools for later maintenance.



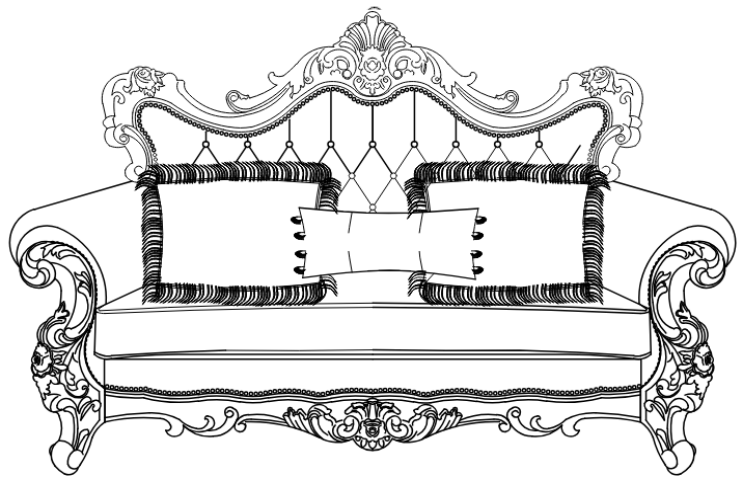
After two weeks, check and tighten any loose hardware and repeat again every six months thereafter.

IT IS THE USER'S RESPONSIBILITY TO MAINTAIN THE FURNITURE. THE HARDWARE MAY LOOSEN OVER TIME AND MAY CAUSE THE FURNITURE TO BE WOBBLY AND UNABLE TO SUPPORT ITS INTENDED WEIGHT CAPACITY. THIS MAY LEAD TO COLLAPSE AND MAY CAUSE SERIOUS INJURY.

LOVESEAT



- Please keep instructions for future reference.
- Check the quantity and irregularity of parts and hardware before you start.



PARTS

1



SEAT FRAME
1 pc.

2



LEFT SIDE FACING (LSF) ARM
1 pc.

3



RIGHT SIDE FACING (RSF) ARM
1 pc.

4



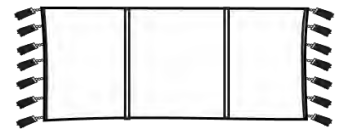
BACKREST
1pc

5



SEAT CUSHION
1pc

6



KIDNEY PILLOW
1pc

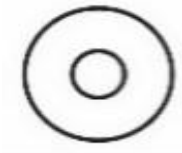
7



BIG SQUARE PILLOWS
2pcs

HARDWARE

A



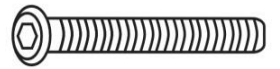
FLAT WASHER
Ø5/16 x 22mm
8pcs

B



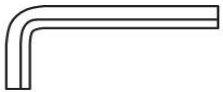
LOCK WASHER
Ø5/16
8pcs

C



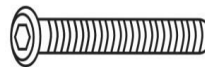
THREAD BOLT
Ø5/16 x 3¼"
4pcs

D



ALLEN KEY M5
Ø5/16
1 pc.

E



BOLT
Ø5/16 x 2¾"
4pcs

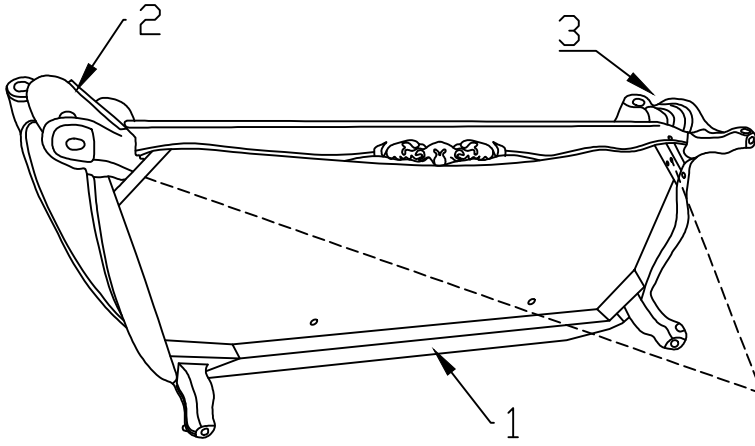
F



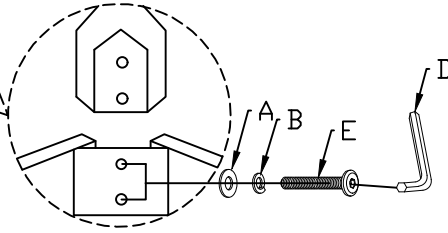
SCREWS
#4 x 70mm
2pcs

ASSEMBLY INSTRUCTIONS

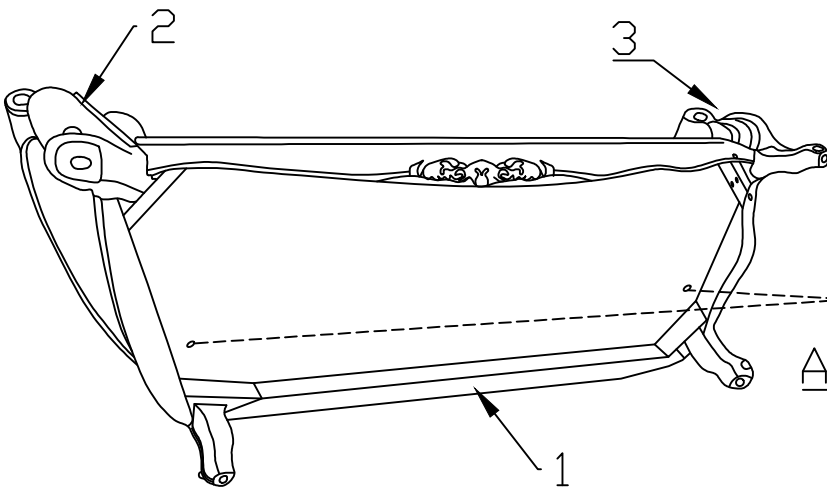
1



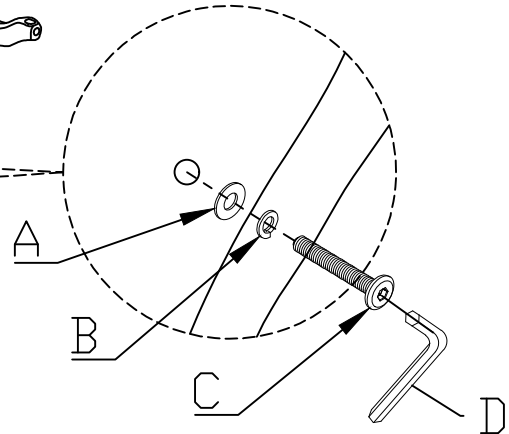
Lay the seat frame (1) to reach the holes to secure the bolts for the arms. Align and assemble the Left arm (2) and Right arm (3) to the seat frame (1) by using the Allen Key (D) with hardware E, B, and A.



2

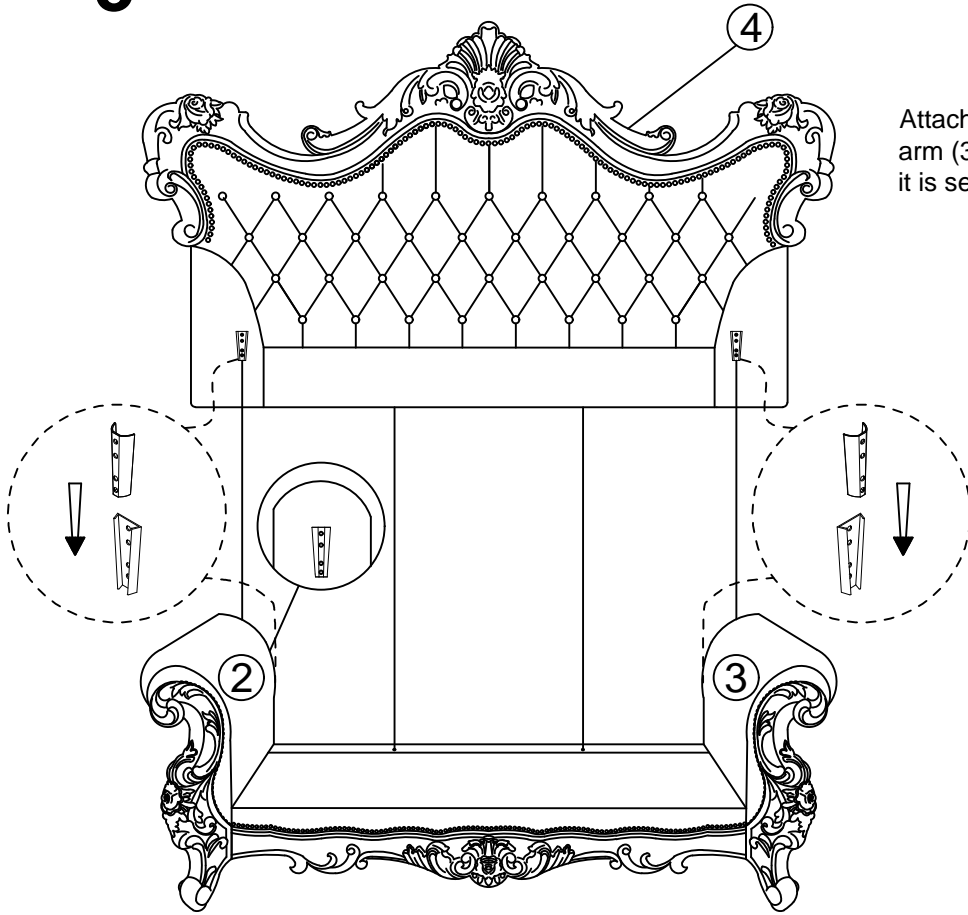


Align and attach Left arm (2) and Right arm (3) to the seat frame (1) using bolt (C) with washer (B) and flat washer (A) and securing with Allen Key (D)



ASSEMBLY INSTRUCTIONS

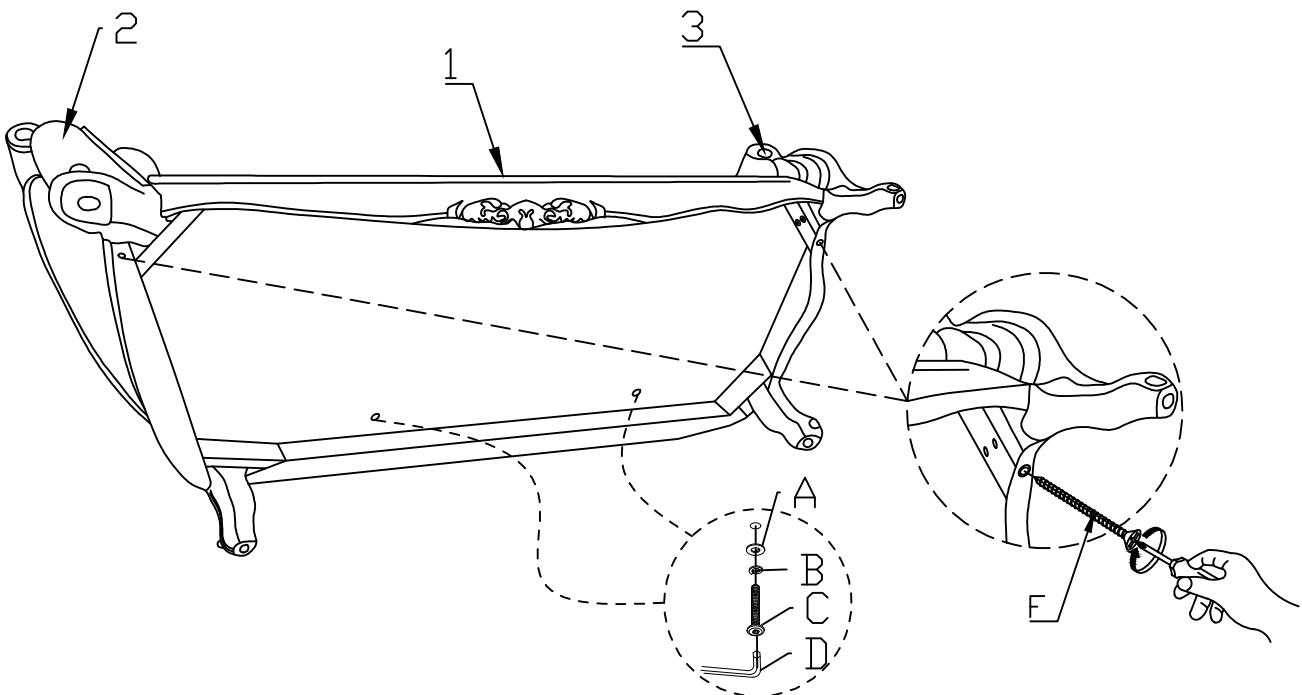
3



Attach Backrest (4) to the Left arm (2) and Right arm (3) by sliding in the brackets all the way until it is secured.

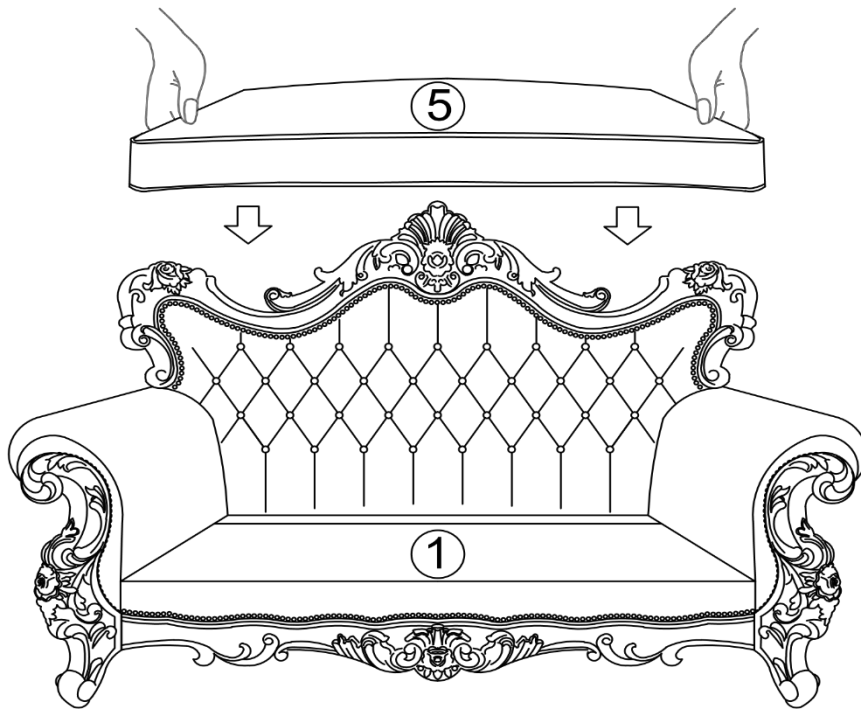
4

Assemble and secure the front legs of the LSF arm (2) and RSF arm (3) to the seat frame (1) by using a screwdriver with hardware (F) and using bolt (C) with washer (B) and using bolt (C) with washer (B) and flat washer (A) and securing with Allen Key (D).



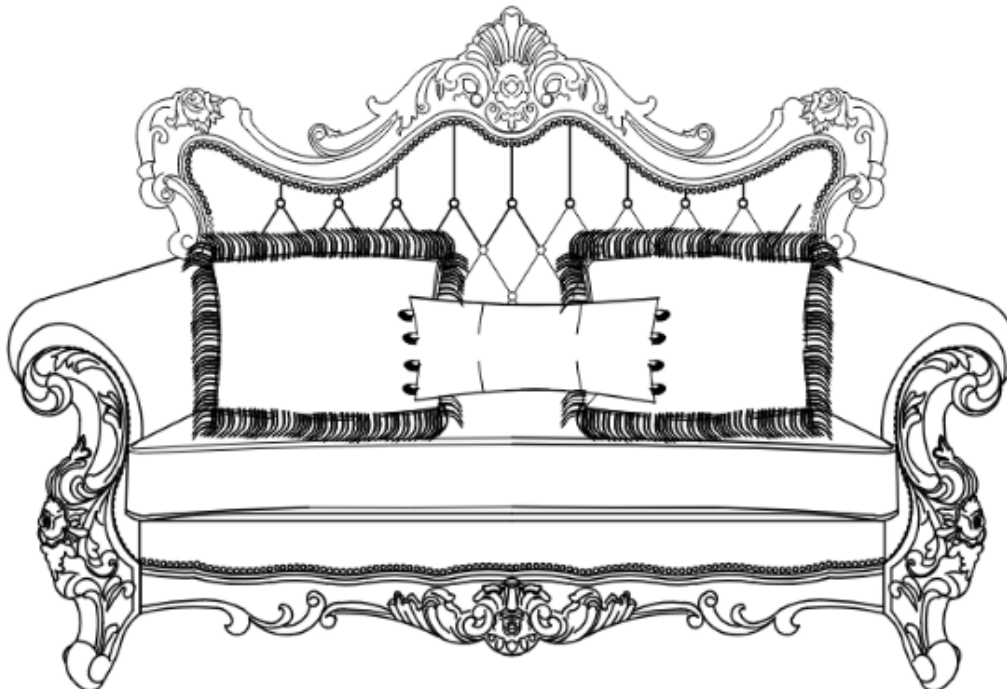
ASSEMBLY INSTRUCTIONS

Place the seat cushion (5) on to the seat frame (1).



COMPLETE :

Your product is ready for you to enjoy.



ASSEMBLY COMPLETED



Please ensure the furniture rests on an even and flat surface. If the product wobbles or feels loose, double-check all bolts and/or screws are properly tightened and secured.



Keep this handy!

Please retain this instruction manual and any order-related information for future reference.



Lift, don't drag!

To avoid damage to product please always LIFT the product when transporting or adjusting the placement.

This product is intended for
RESIDENTIAL USE ONLY
and not for commercial use

