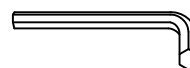


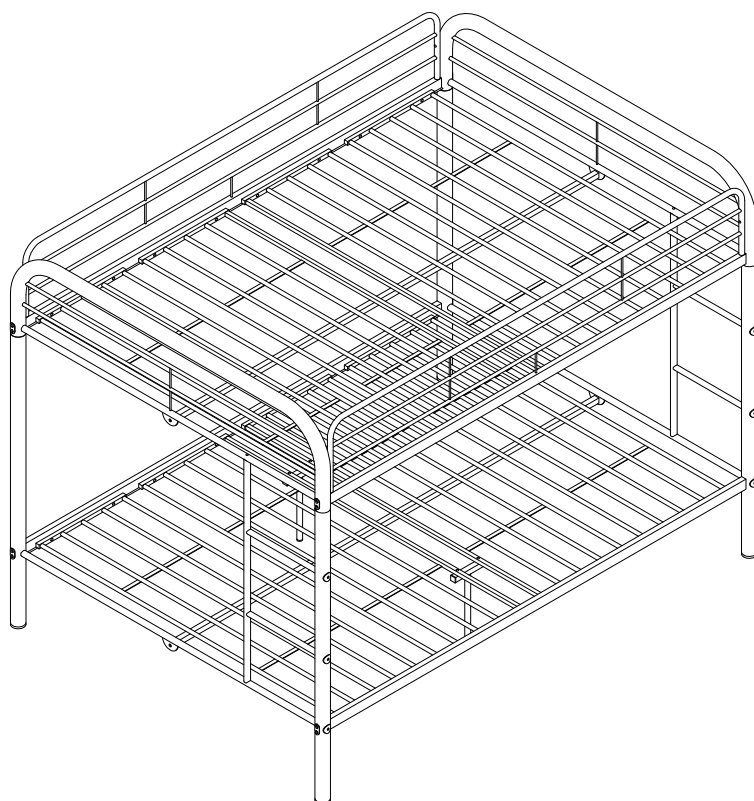
ASSEMBLY INSTRUCTIONS

TOOLS REQUIRED



Allen Wrench

(Included)



2 - Persons
Recommended

ASSEMBLY RATING



EASY ————— DIFFICULT

The Assembly Rating is a 5-point system showing the level of effort needed to assemble a specific product.



CHECK BEFORE STARTING

Are you missing anything?

Double-check all parts, hardware and accessories listed are all accounted for.

Check out our Quick Tips!

We recommend reviewing the pre-assembly handouts. Even experts need a refresher now and then!

Should we send any replacements?

Are there any irregularities or flaws in the parts? We can send replacements!

Prep Time!

Please review the assembly instructions and all diagrams prior to assembling.

PRE ASSEMBLY INTRODUCTION

We understand building ready-to-assemble furniture can be a challenging experience for some. To help avoid confusion, we have provided some helpful tips that may speed up the process.



Teamwork

ALWAYS have at least two people to help with transporting and assembling the product to avoid potential injury and/or damage.



Suitable Location

Assembling near the area of the intended location is highly recommended.



Sufficient Space

Make sure you have enough space to move around during the assembly.



Avoid Scratches

Use cardboard, blankets or a carpeted area while assembling furniture to prevent scratches and damages.



Flat Surface

Make sure the furniture rests on a flat and level surface with each leg evenly touching the floor.

ASSEMBLY AND CARE ADVICE



FAILURE TO FOLLOW THE GUIDELINES BELOW MAY RESULT IN INJURY AND/OR PROPERTY DAMAGE.



Position each part correctly and insert screws or bolts into their respective holes.



Turn clockwise to tighten and only tighten when step is completed or when instructed to do so.



Use the appropriate hand tools or power tools for assembly. Select steps, such as tightening screws and/or bolts, may require hand tools to avoid causing damage during assembly.



Save the instructions and store any supplied tools for later maintenance.



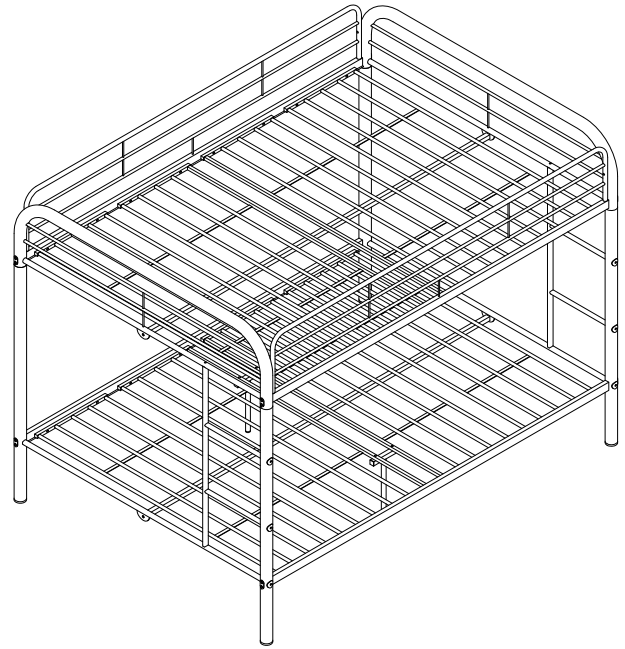
After two weeks, check and tighten any loose hardware and repeat again every six months thereafter.

IT IS THE USER'S RESPONSIBILITY TO MAINTAIN THE FURNITURE. THE HARDWARE MAY LOOSEN OVER TIME AND MAY CAUSE THE FURNITURE TO BE WOBBLY AND UNABLE TO SUPPORT ITS INTENDED WEIGHT CAPACITY. THIS MAY LEAD TO COLLAPSE AND MAY CAUSE SERIOUS INJURY.

Metal Full/Full size Bunk bed



- Please keep instructions for future reference.
- Check the quantity and irregularity of parts and hardware before you start.



PARTS

1 1pc



Left Front Post

2 2pcs



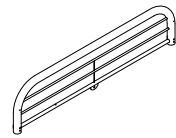
Rear Post

3 1pc



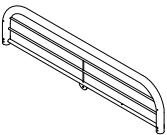
Right Front Post

4 1pc



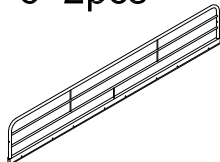
Left Bed End

5 1pc



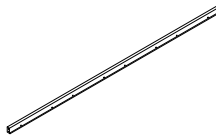
Right Bed End

6 2pcs



Guardrail

7 2pcs



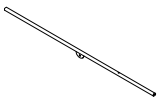
Lower Side Rail

8 2pcs



Ladder Post

9 2pcs



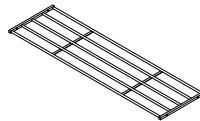
Lower Cross Bar

10 4pcs



Ladder Pedal

11 4pcs



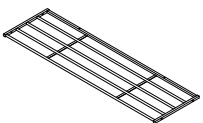
Side Board

12 2pcs



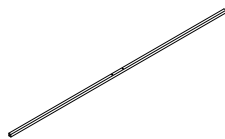
Up Middle Board

13 2pcs



Down Middle Board

14 2pcs



Cross Tube

15 2pcs

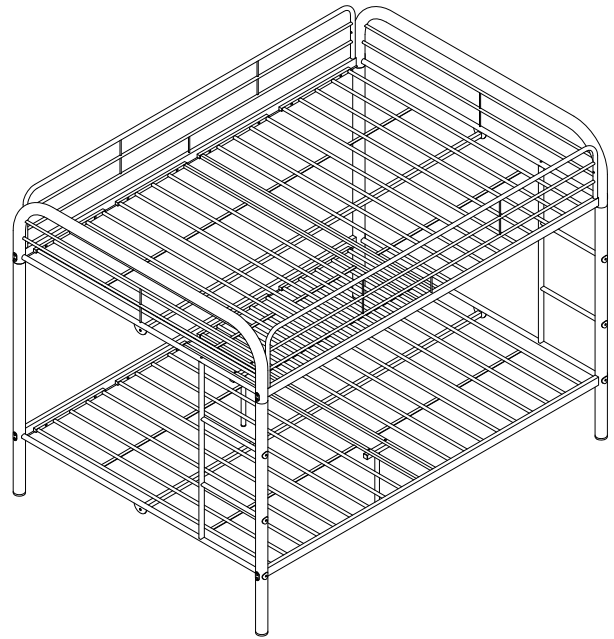


Support Legs

Metal Full/Full size Bunk bed



- Please keep instructions for future reference.
- Check the quantity and irregularity of parts and hardware before you start.



HARDWARE

A 4pcs



Bolt 1/4" x 5/8"

B 40pcs



Bolt 1/4" x 1"

C 4pcs



Bolt 1/4" x 1-1/8"

D 12pcs



Bolt 1/4" x 1-3/8"

E 4pcs



Bolt 1/4" x 3"

F 16pcs



Bolt 1/4" x 3"

G 8pcs



Washer Ø32xØ8x2.3

H 1pc



Allen Wrench M4

I 1pc

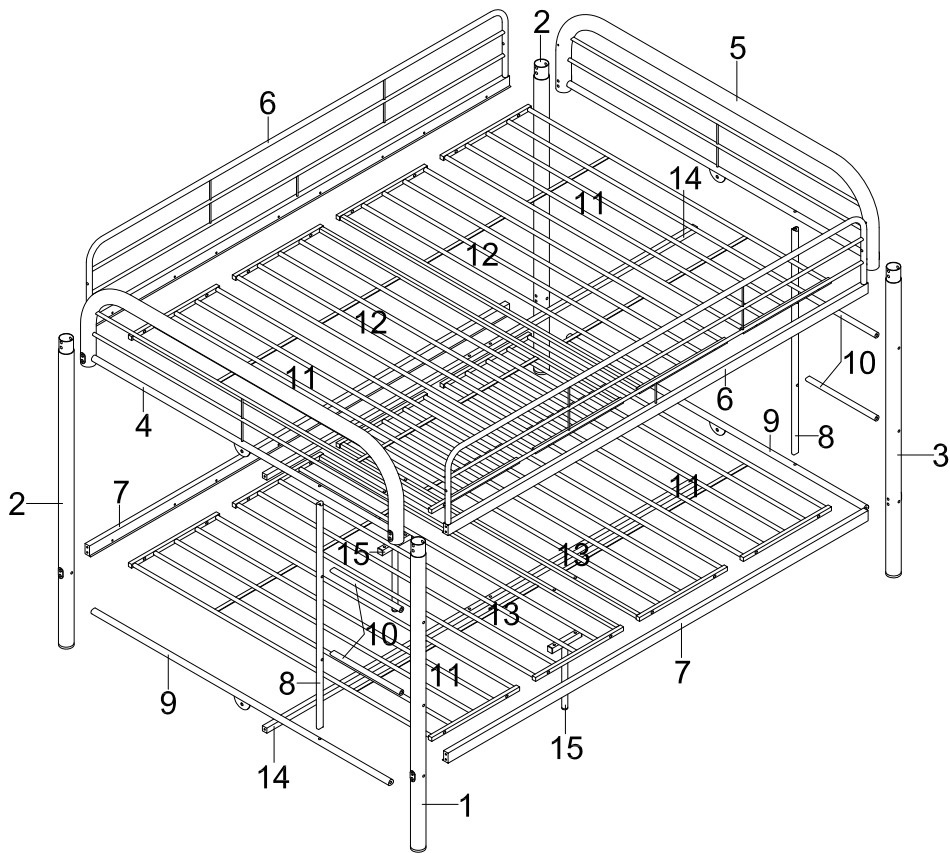


Paint

ASSEMBLY INSTRUCTIONS

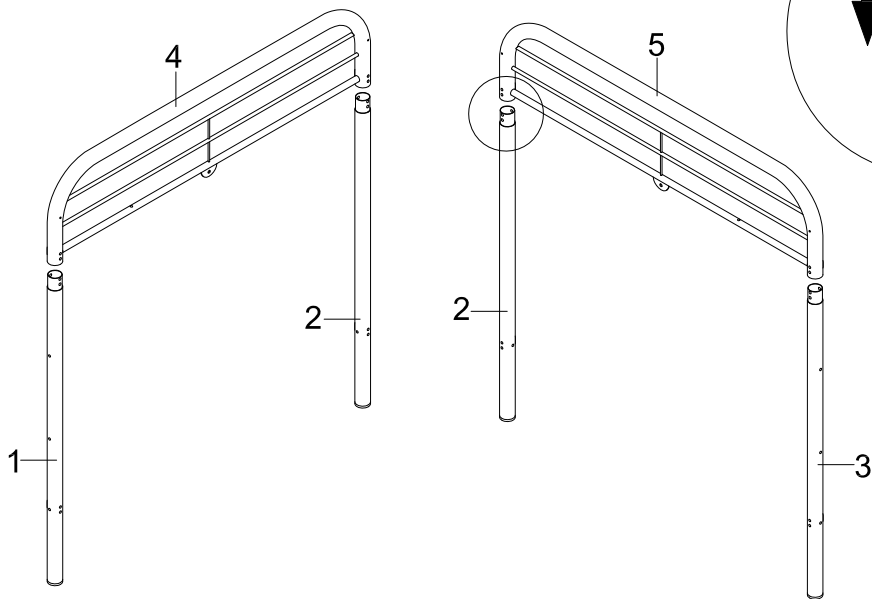
1

Exploded View



2

- Part 1 x 1pc
- Part 2 x 2pcs
- Part 3 x 1pc
- Part 4 x 1pc
- Part 5 x 1pc

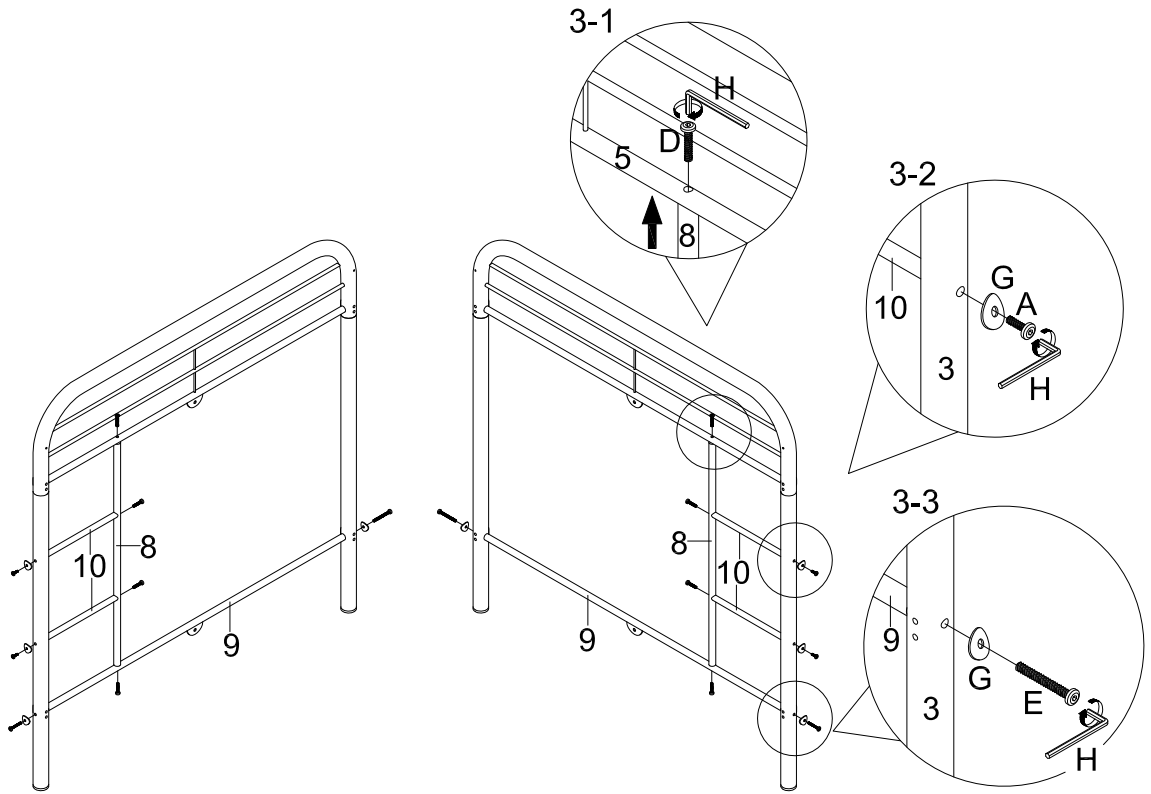


DO NOT TIGHTEN THE SCREWS UNTIL ASSEMBLING THE FINAL STEP.

ASSEMBLY INSTRUCTIONS

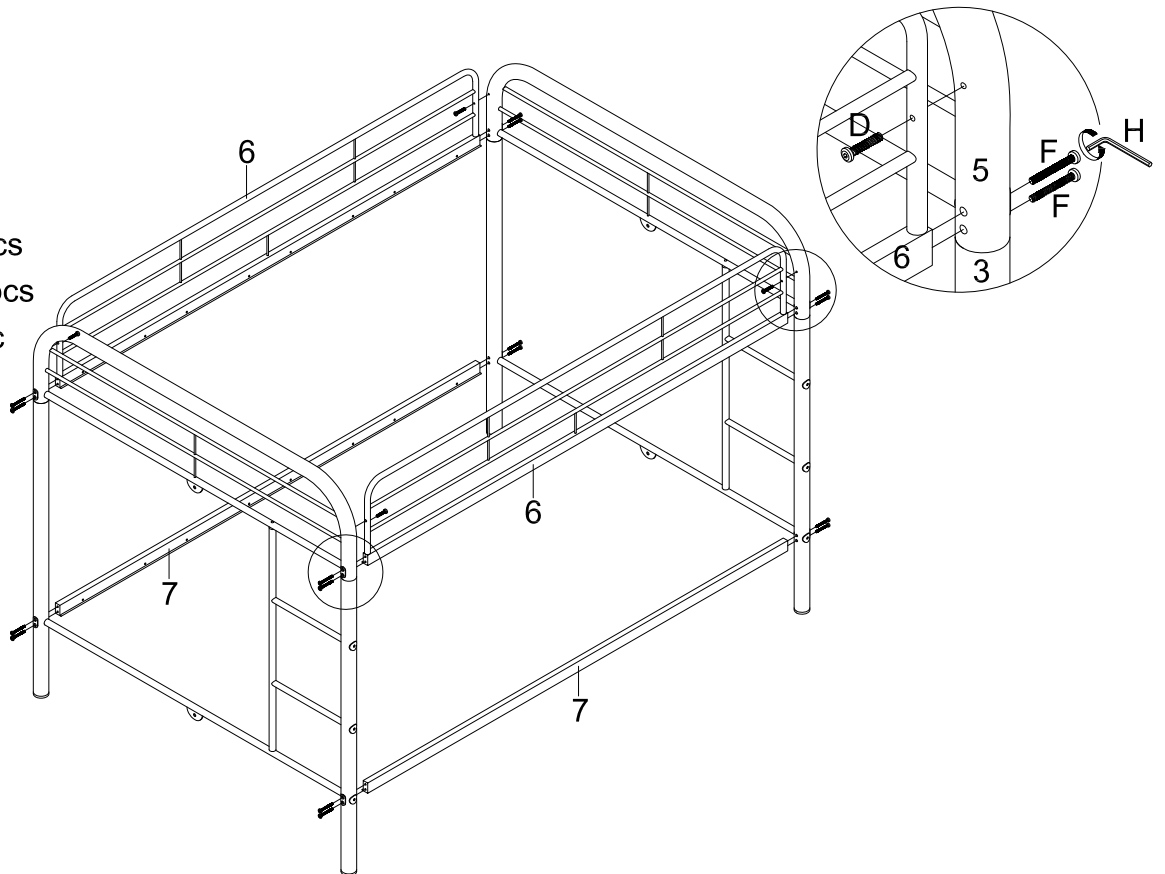
3

- Part 8 x 2pcs
- Part 9 x 2pcs
- Part 10 x 4pcs
- Hardware A x 4pcs
- Hardware D x 8pcs
- Hardware E x 4pcs
- Hardware G x 8pcs
- Hardware H x 1pc



4

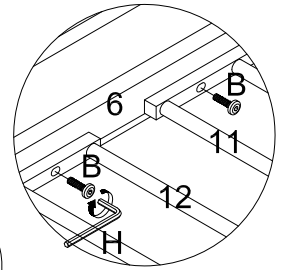
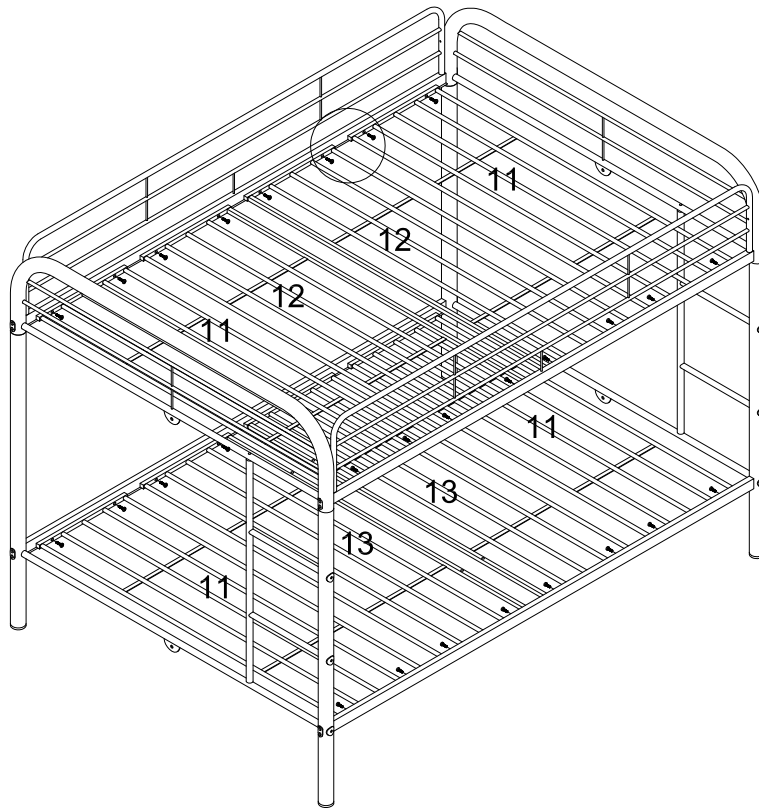
- Part 6 x 2pcs
- Part 7 x 2pcs
- Hardware D x 4pcs
- Hardware F x 16pcs
- Hardware H x 1pc



ASSEMBLY INSTRUCTIONS

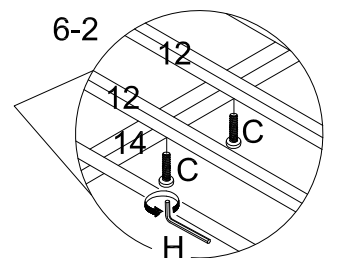
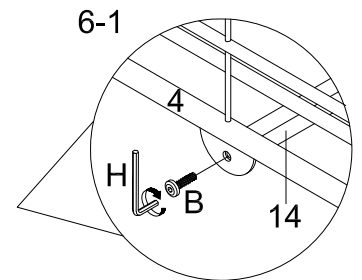
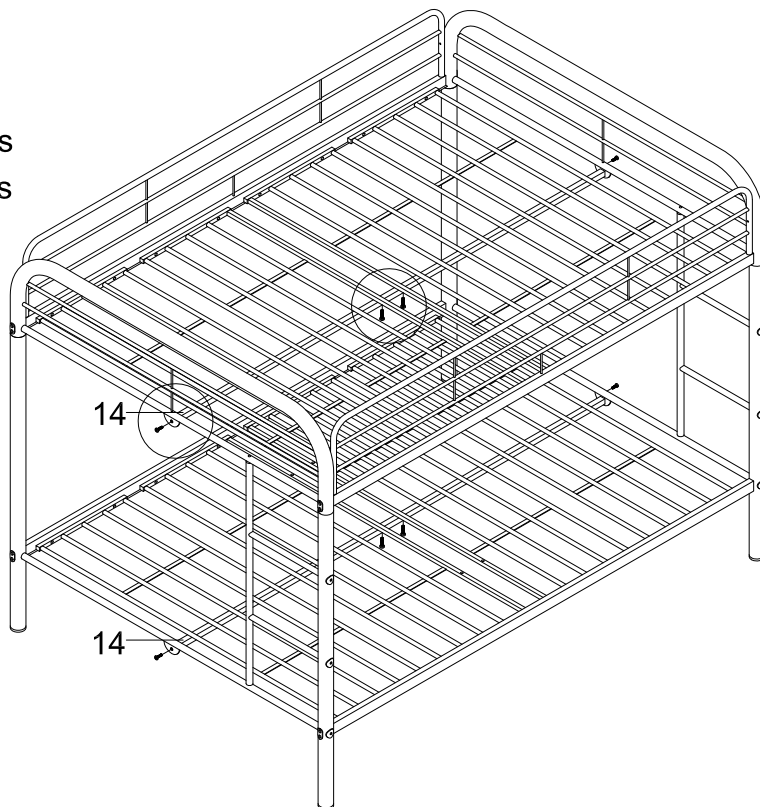
5

- Part 11 x 4pcs
- Part 12 x 2pcs
- Part 13 x 2pcs
- Hardware B x 32pcs
- Hardware H x 1pc



6

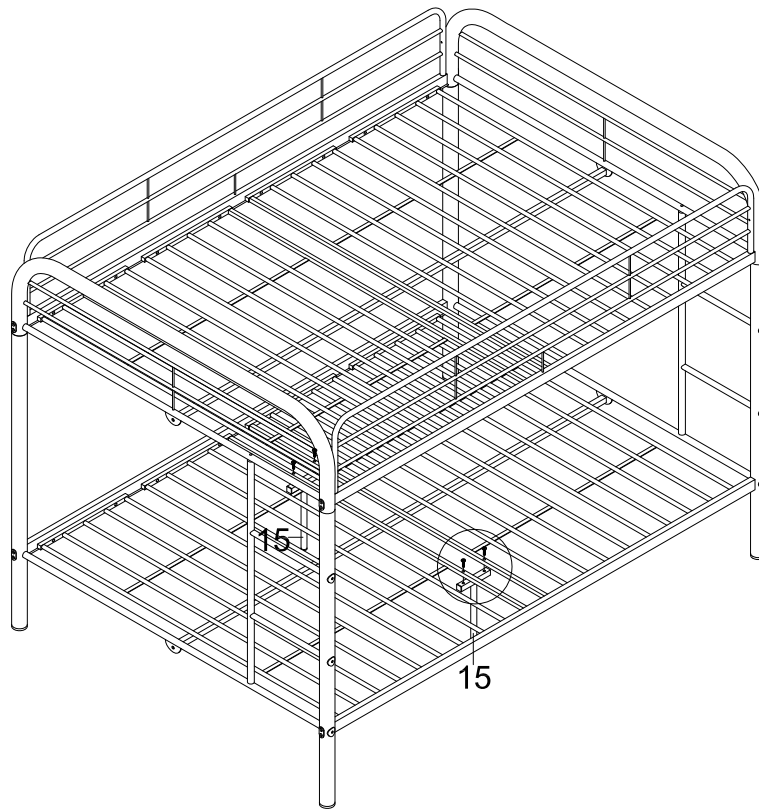
- Part 14 x 2pcs
- Hardware B x 4pcs
- Hardware C x 4pcs
- Hardware H x 1pc



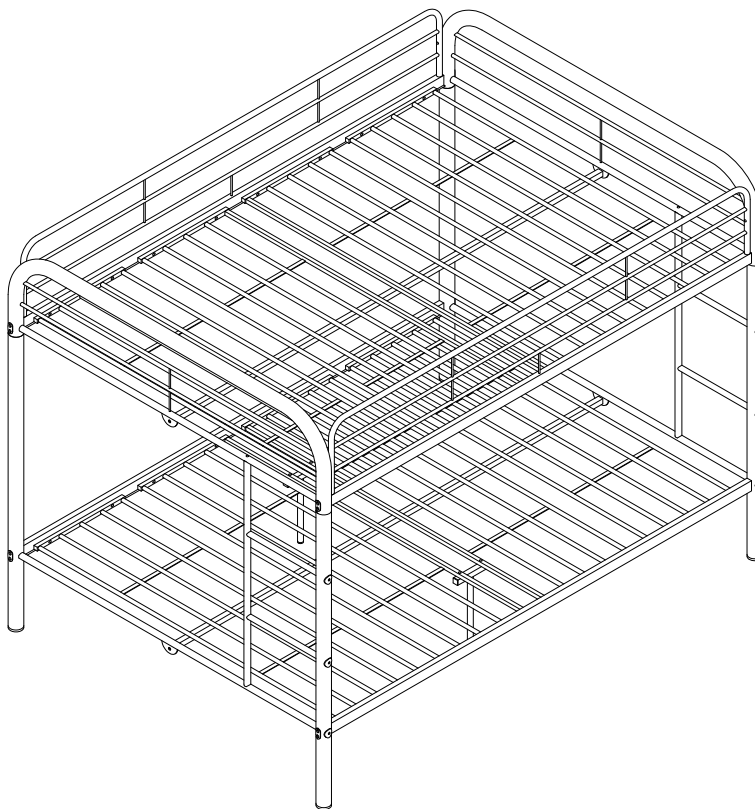
ASSEMBLY INSTRUCTIONS

7

Part 15 x 2pcs
Hardware B x 4pcs
Hardware H x 1pc



8



- ✓ **Keep this handy!**
Please retain this instruction manual and any order-related information for future reference.
- ✓ **Lift, don't drag!**
To avoid damage to product please always LIFT the product when transporting or adjusting the placement.

This product is intended for RESIDENTIAL USE ONLY and not for commercial use.

Safety Warnings

1. Follow the information on the warnings appearing on the upper bunk end structure and on the carton . Do not remove warning label from bed.
2. Always use the recommended size mattress or/and mattress support to help prevent the likelihood of entrapment or falls.
3. Surface of mattress must be at least 5 in. below the upper edge of guardrails .
4. Do not allow children less than 6 years of age to use the upper bunk.
5. Periodically check and ensure that the guardrail, ladder ,and other components are in their proper position ,free from damage ,and that all connectors are tight .
6. Prohibit horseplay on/or under the bed and prohibit jumping on the bed.
7. Always use the ladder for entering and leaving the upper bunk.
8. Do not use substitute parts ,Contact manufacturer or dealer for replacement parts.
9. Use of a night light may provide added safety precaution for a child using the upper bunk.
10. Always use guardrails on both long sides of the upper bunk.
11. If the bunk bed will be placed next to a wall, the guardrail that runs the full length of the bed should be placed against the wall to prevent entrapment between the bed and the wall.
12. The use of water or sleep flotation mattress is prohibited .
13. Keep these instructions for future reference.
14. Use only mattress which is 74 3/4"x54" x6" on upper bunk and for bottom bunk required 74 3/4"x54" x8"mattress.
15. Prohibit more than one person on upper bunk.

STRANGULATION HAZARD:

16. Never attach or hang items to any part of the bunk bed that are not designed for use with the bed for example, but not limited to hooks, belts, and jump ropes.