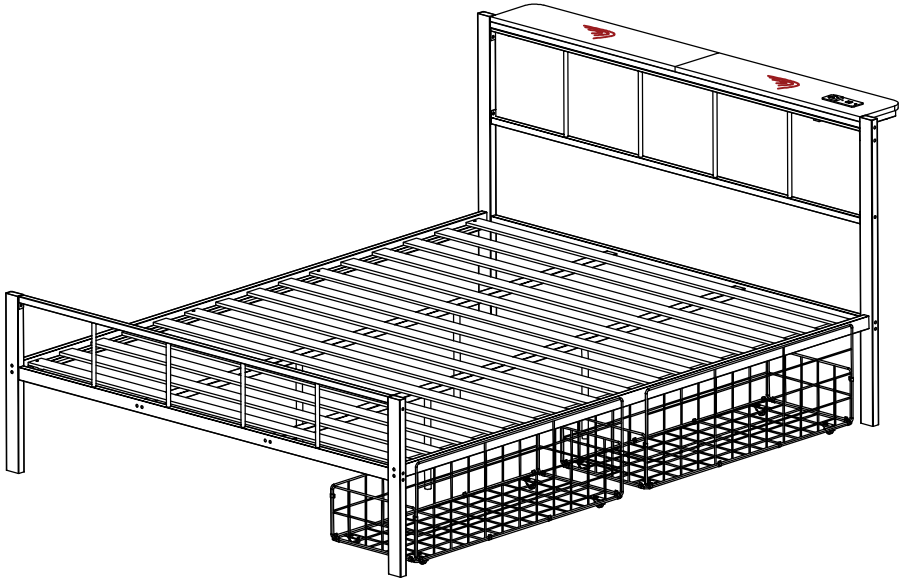


ASSEMBLY INSTRUCTIONS



TOOLS REQUIRED



Screwdriver
(Not included)



(Included)
Allen Wrench



2- People

ASSEMBLY RATING



EASY —————> DIFICULT

The Assembly Rating is a 5-point system showing the level of effort needed to assemble a speccific product.



CHECK BEFORE STARTING

Are you missing anything?

Double-check all parts, hardware and accessories listed are all accounted for.

Check out our Quick Tips!

We recommend reviewing the pre-assembly handouts. Even experts need a refresher now and then!

Should we send any replacements?

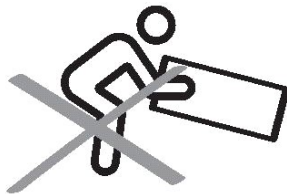
Are there any irregularities or flaws in the parts? We can send replacements!

Prep Time!

Please review the assembly instructions and all diagrams prior to assembling.

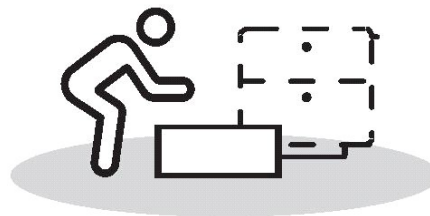
PRE ASSEMBLY INTRODUCTION

We understand building ready-to-assemble furniture can be a challenging experience for some. To help avoid confusion, we have provided some helpful tips that may speed up the process.



Teamwork

ALWAYS have at least two people to help with transporting and assembling the product to avoid potential injury and/or damage.



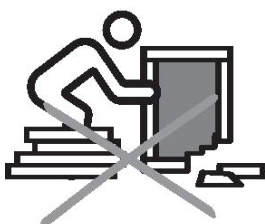
Suitable Location

Assembling near the area of the intended location is highly recommended.



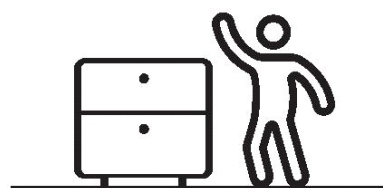
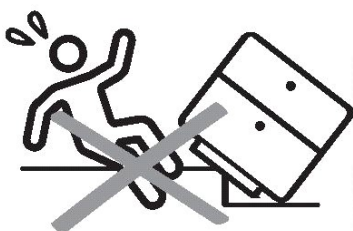
Sufficient Space

Make sure you have enough space to move around during the assembly.



Avoid Scratches

Use cardboard, blankets or a carpeted area while assembling furniture to prevent scratches and damages.



Flat Surface

Make sure the furniture rests on a flat and level surface with each leg evenly touching the floor.

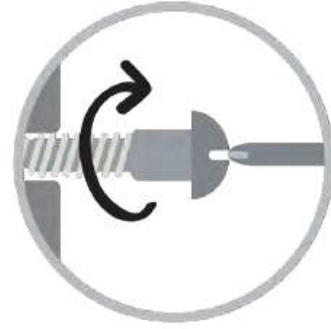
ASSEMBLY AND CARE ADVICE



FAILURE TO FOLLOW THE GUIDELINES BELOW MAY RESULT IN INJURY AND/OR PROPERTY DAMAGE.



Position each part correctly and insert screws or bolts into their respective holes



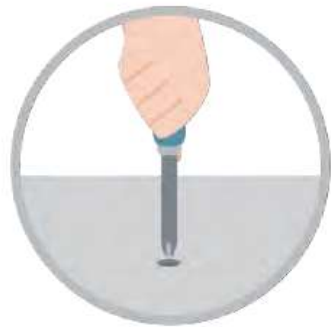
Turn clockwise to tighten and only tighten when step is completed or when instructed to do so.



Use the appropriate hand tools or power tools for assembly. Select steps, such as tightening screws and/or bolts, may require hand tools to avoid causing damage during assembly.



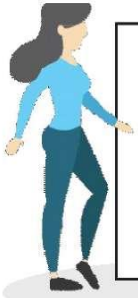
Save the instructions and store any supplied tools for later maintenance.



After two weeks, check and tighten any loose hardware and repeat again every six months thereafter.

IT IS USER'S RESPONSIBILITY TO MAINTAIN THE FURNITURE. THE HARDWARE MAY LOOSEN OVER TIME AND MAY CAUSE THE FURNITURE TO BE WOBBLY AND UNABLE TO SUPPORT ITS INTENDED WEIGHT CAPACITY. THIS MAY LEAD TO COLLAPSE AND MAY CAUSE SERIOUS INJURY.

QUEEN METAL BED WITH UNDERBED STORAGE



- Please keep instructions for future reference.
- Check the quantity and irregularity of parts and hardware before you start.

PARTS

#1 x2
Upright head Post

#2 x2
Upright foot Post

#3 x1
Foot Frame

#4 x1
Head Frame

#5 x1
Head Rail

#6 x1
Head Frame

#7 x2
Side rail

#8 x2
Support rail

#9 x4
Slat support Leg

#10 x2
Drawer front frame

#11 x2
Drawer back frame

#12 x4
Drawer side frame

#13 x2
Drawer bottom frame

#14 x1
Plank

#15 x1
Plank

#16 x1
Bed slat

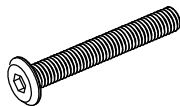
#17 x1
Charging station

#18 x8
Drawer wheel

#19 x40
Plastic connector

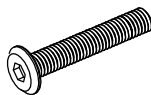
HARDWARE

#A x10



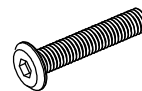
Bolts 1/4" x 70

#B x8



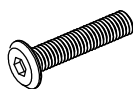
Bolts 1/4" x 45

#C x8



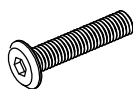
Bolts 1/4" x 40

#D x8



Bolts 1/4" x 30

#E x12



Bolts 1/4" x 25

#F x14



Bolts 1/4" x 15

#G x16



Bolts 1/4" x 12

#H x2



Screw M4 x 15

#I x8



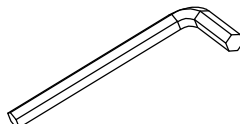
Cover 50 x 25

#K x4



Cover Ø19

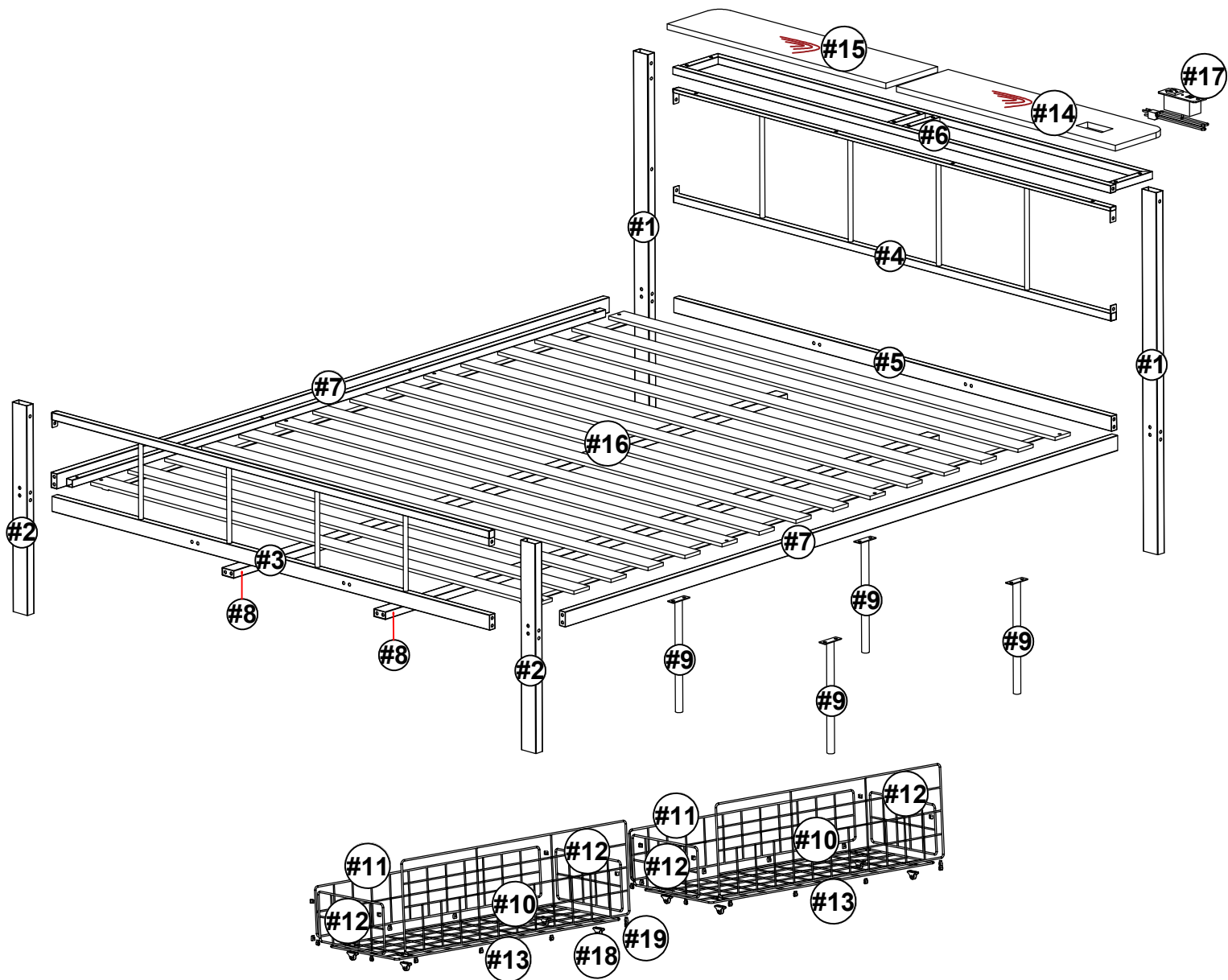
#L x1



Allen wrench M4 x 59

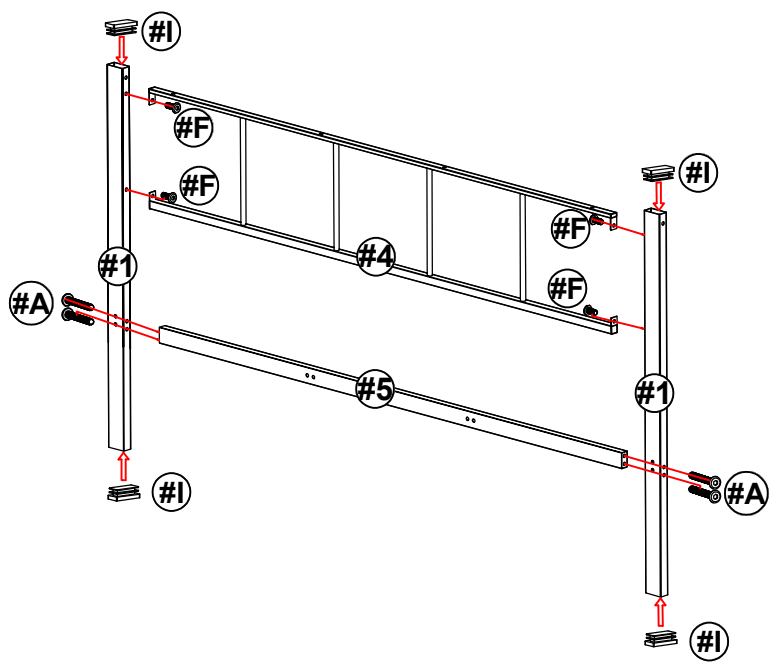
ASSEMBLY INSTRUCTIONS

Exploded View



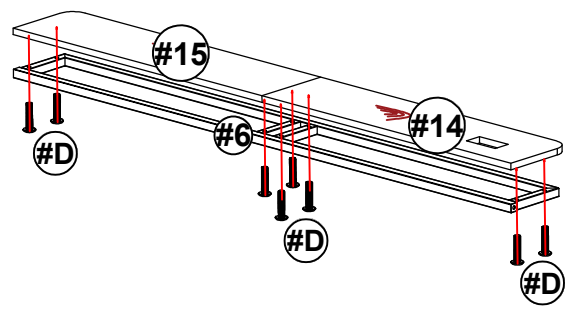
ASSEMBLY INSTRUCTIONS

STEP 1 :



#A	4PCS
	1/4"x70
#F	4PCS
	1/4"x15
#I	4PCS
	50x25
#L	1PC
	4x59

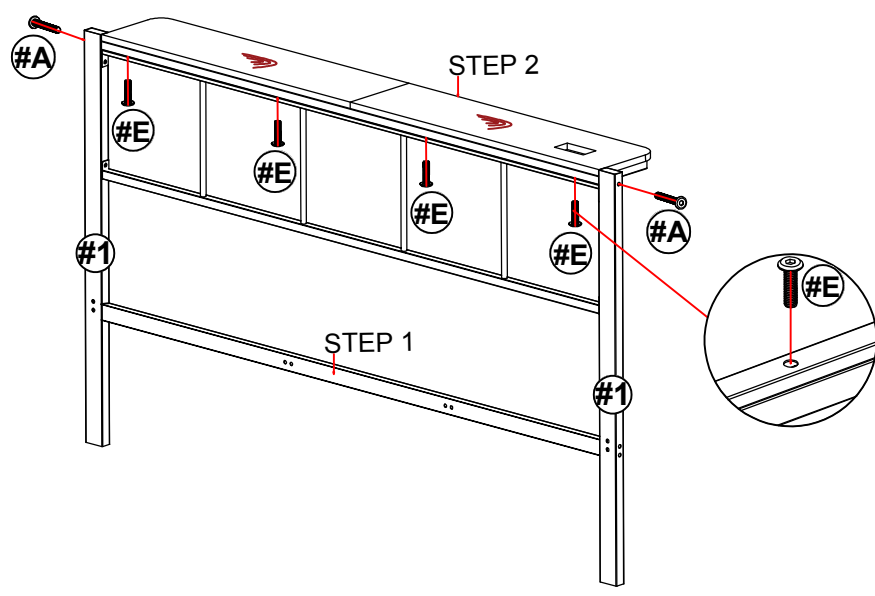
STEP 2 :

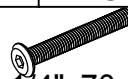
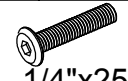
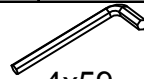


#D	8PCS
	1/4"x30
#L	1PC
	4x59

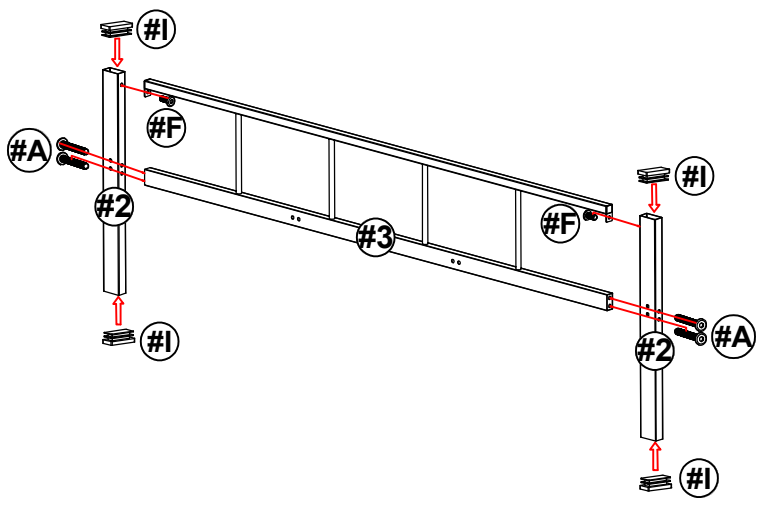
ASSEMBLY INSTRUCTIONS





STEP 3 :



#A	2PCS
	
1/4"x70	
#E	4PCS
	
1/4"x25	
#L	1PC
	
4x59	

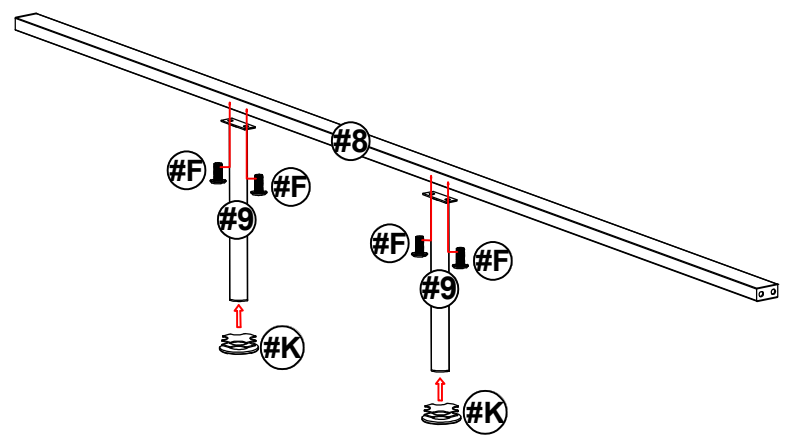
STEP 4 :






#A	4PCS
	
1/4"x70	
#F	2PCS
	
1/4"x15	
#I	4PCS
	
50x25	
#L	1PC
	
4x59	

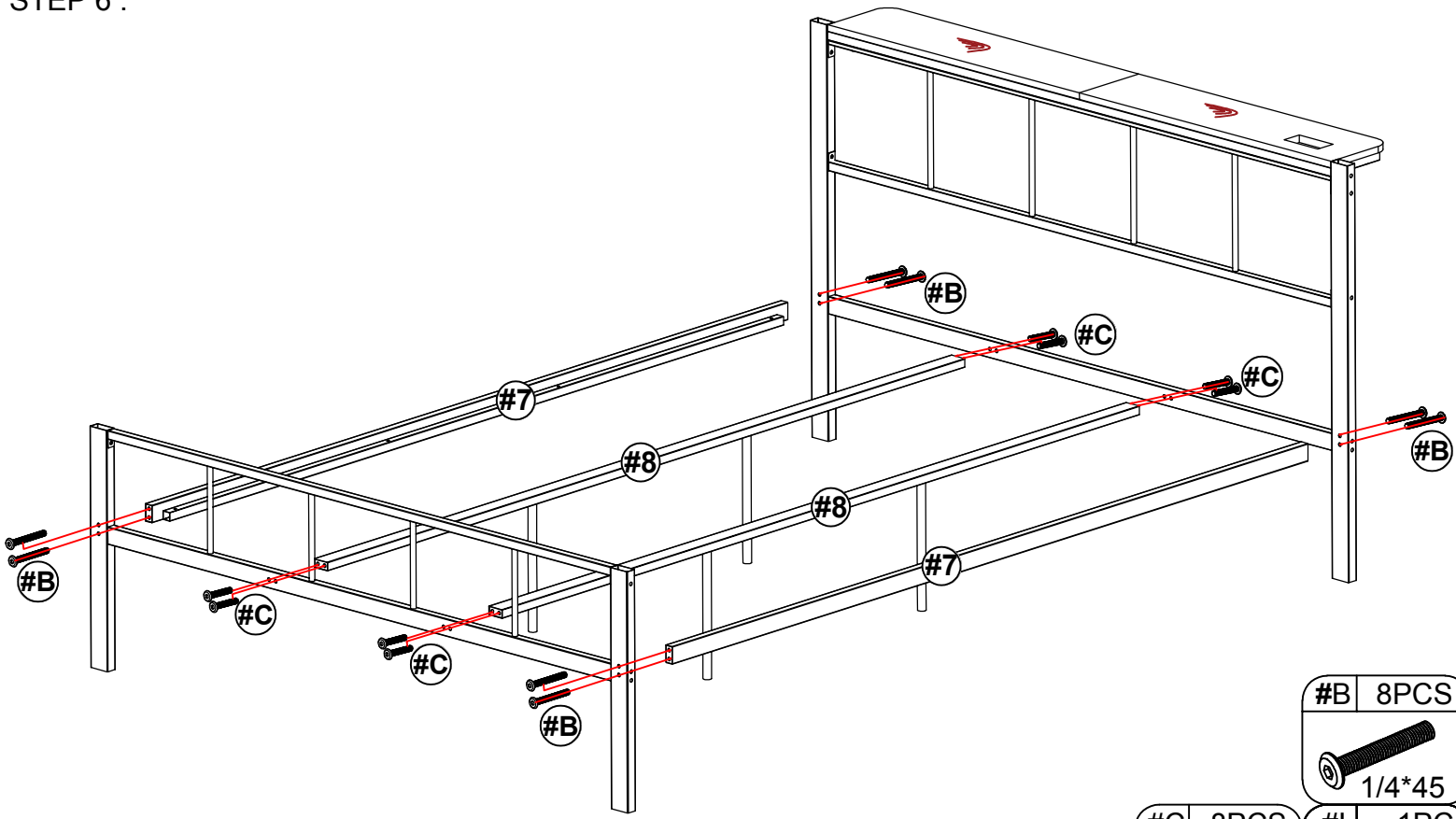
ASSEMBLY INSTRUCTIONS




STEP 5 : 2 SET



#F	8PCS
 1/4"x15	
#K	4PCS
 Ø19	
#L	1PC
 4x59	

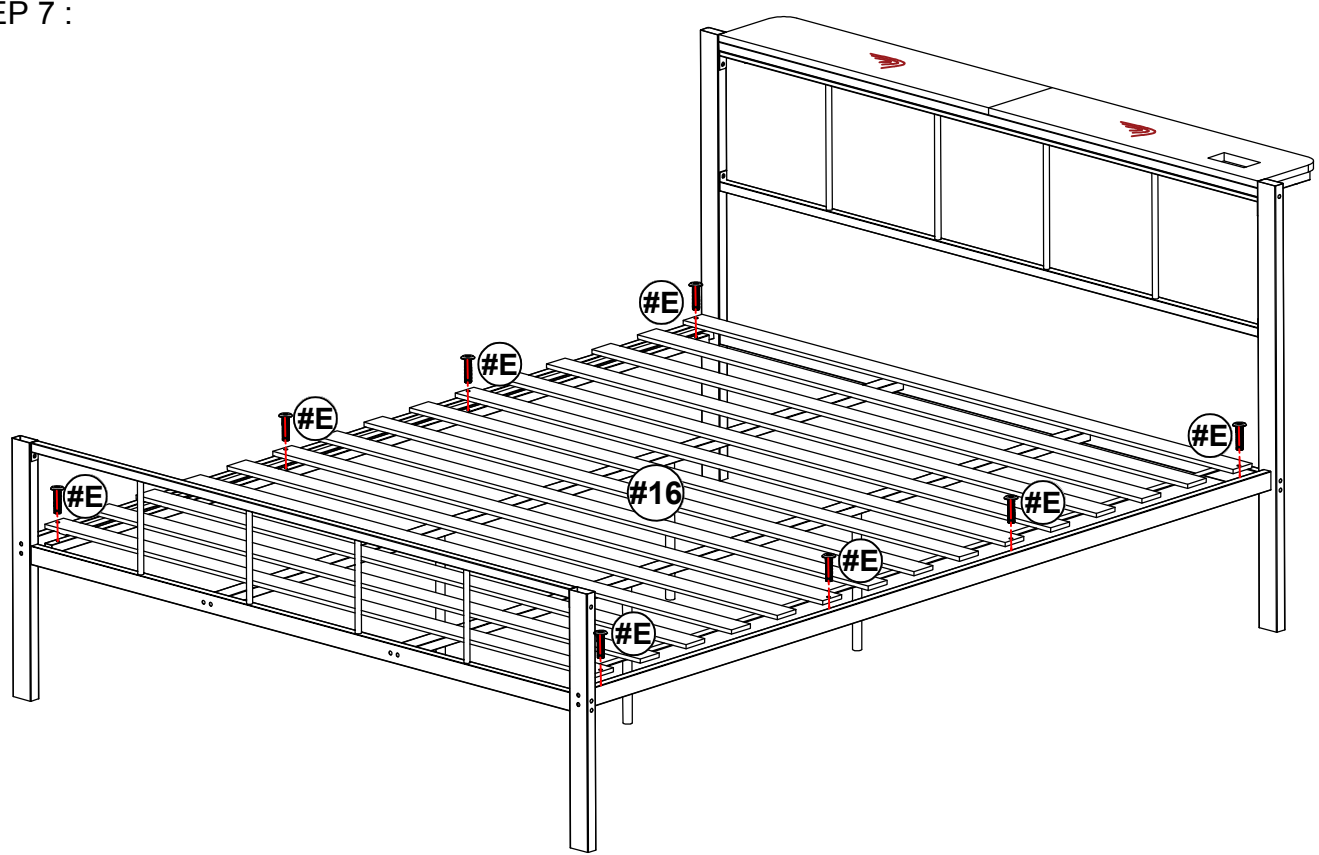
STEP 6 :





#B	8PCS
 1/4*45	
#C	8PCS
 1/4*40	
#L	1PC
 4x59	

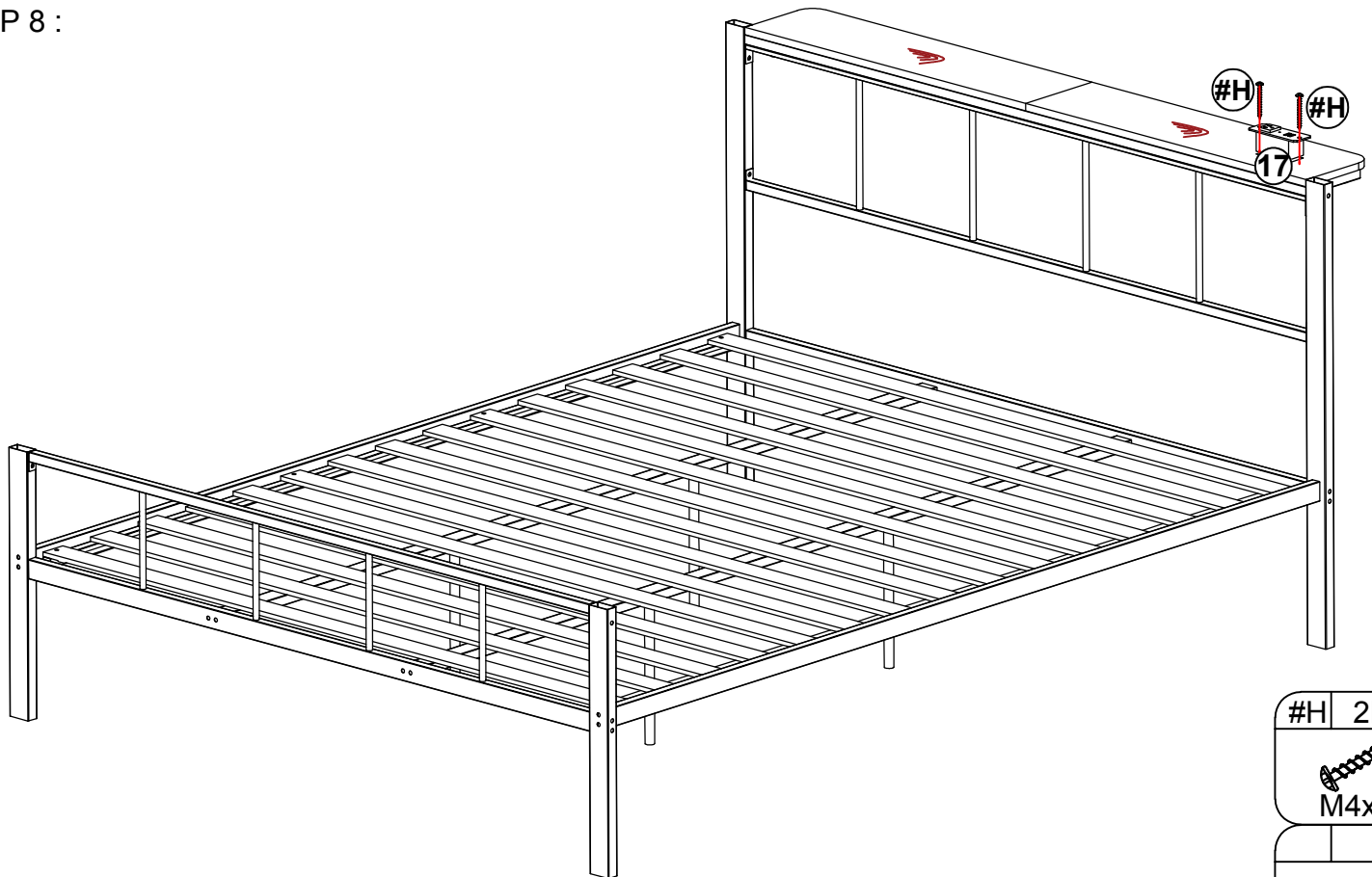
ASSEMBLY INSTRUCTIONS


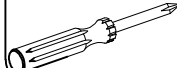
STEP 7 :



#E	8PCS
	1/4"x25
#L	1PC
	4x59

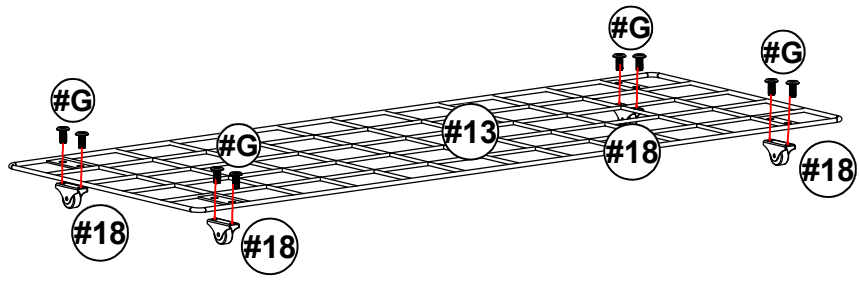
STEP 8 :


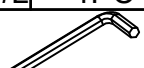


#H	2PCS
	M4x15
	

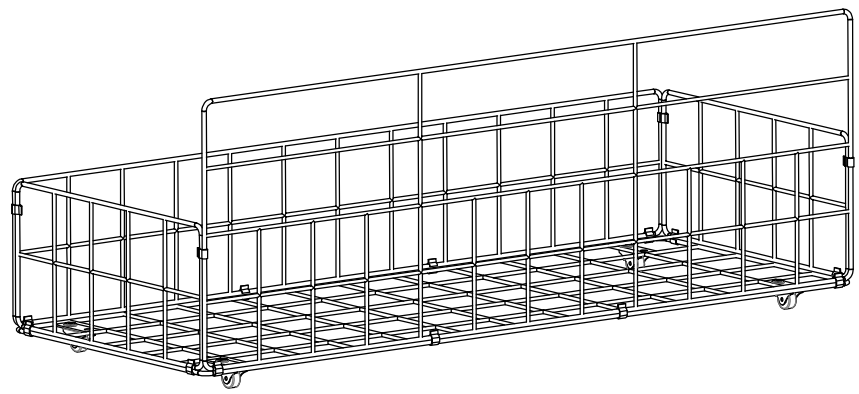
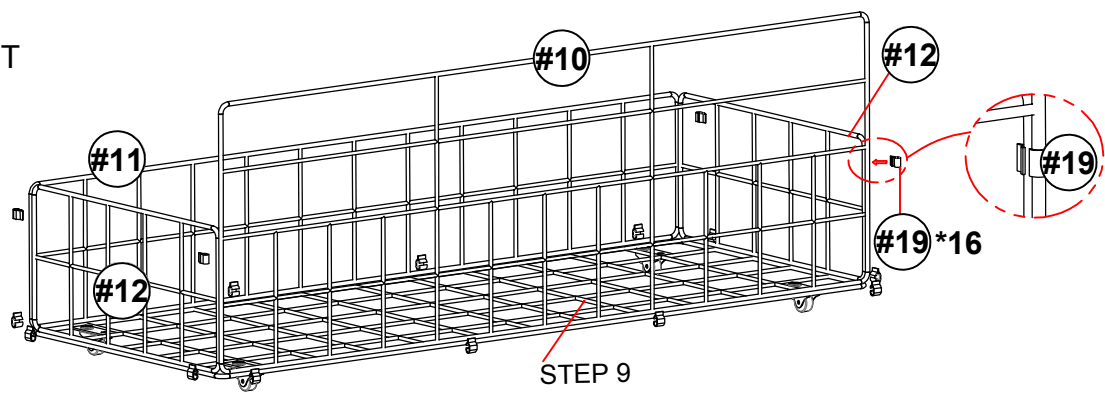
ASSEMBLY INSTRUCTIONS

STEP 9 : 2 SET

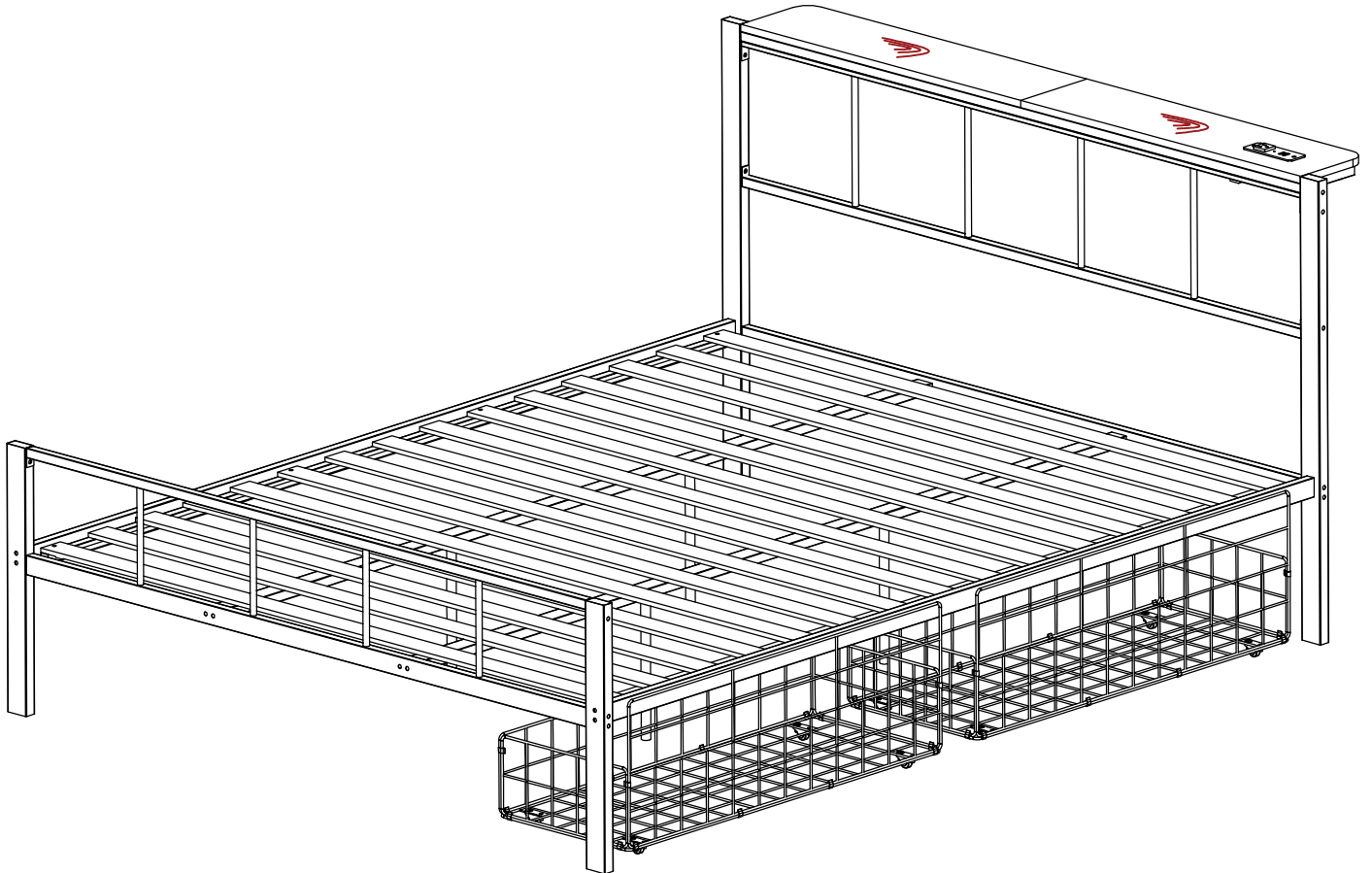


#G	16PCS
	1/4"x12
#L	1PC
	4x59

STEP 10 : 2 SET



ASSEMBLY INSTRUCTIONS



ASSEMBLY COMPLETED



Please ensure the furniture rests on an even and flat surface. If the product wobbles or feels loose, double-check all bolts and/or screws are properly tightened and secured.



Keep this handy!

Please retain this instruction manual and any order-related information for future reference.



Lift, don't drag!

To avoid damage to product please always LIFT the product when transporting or adjusting the placement.

This product is intended for RESIDENTIAL USE ONLY and not for commercial use.