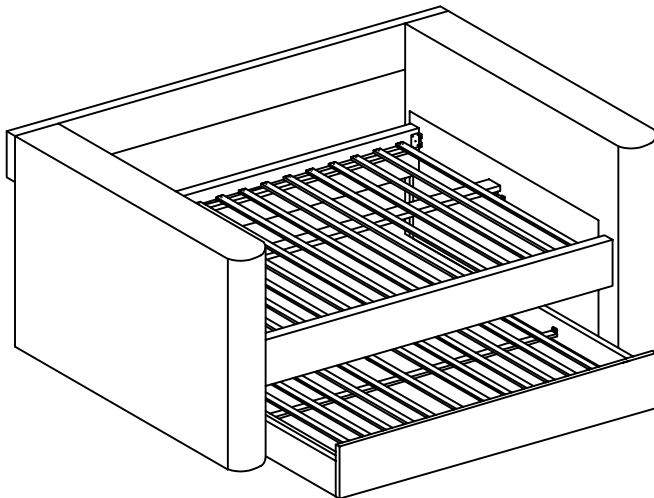


ASSEMBLY INSTRUCTIONS

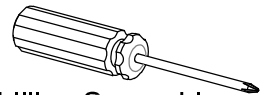


TOOLS REQUIRED



Allen Wrench

(Included)



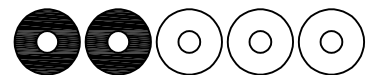
Phillips Screwdriver

(Not Included)



2 – Persons
Recommended

ASSEMBLY RATING



EASY ————— DIFFICULT

The Assembly Rating is a 5-point system showing the level of effort needed to assemble a specific product.



CHECK BEFORE STARTING

Are you missing anything?

Double-check all parts, hardware and accessories listed on Page 6 are accounted for.

Check out our Quick Tips!

We recommend reviewing the pre-assembly handouts. Even experts need a refresher now and then!

Should we send any replacements?

Are there any irregularities or flaws in the parts? We can send replacements!

Prep Time!

Please review the assembly instructions and all diagrams prior to assembling. Set up your workspace by laying the parts and hardware out separately, then begin!

PRE ASSEMBLY INTRODUCTION

We understand building ready-to-assemble furniture can be a challenging experience for some. To help avoid confusion, we have provided some helpful tips that may speed up the process.



Teamwork

ALWAYS have at least two people to help with transporting and assembling the product to avoid potential injury and/or damage.



Suitable Location

Assembling near the area of the intended location is highly recommended.



Sufficient Space

Make sure you have enough space to move around during the assembly.



Avoid Scratches

Use cardboard, blankets or a carpeted area while assembling furniture to prevent scratches.



Flat Surface

Make sure the furniture rests on a flat and level surface with each leg evenly touching the floor.

ASSEMBLY AND CARE ADVICE



FAILURE TO FOLLOW THE GUIDELINES BELOW MAY RESULT IN INJURY AND/OR PROPERTY DAMAGE.



Position each part correctly and insert screws or bolts into their respective holes.



Turn clockwise to tighten and only tighten when step is completed or when instructed to do so.



Use the appropriate hand tools or power tools for assembly. Select steps, such as tightening screws and/or bolts, may require hand tools to avoid causing damage during assembly.



Save the instructions and store any supplied tools for later maintenance.



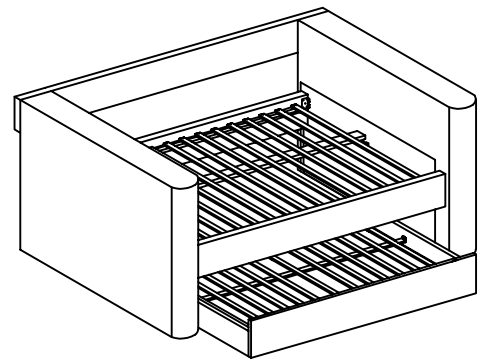
After two weeks, check and tighten any loose hardware and repeat again every six months thereafter.

IT IS THE USER'S RESPONSIBILITY TO MAINTAIN THE FURNITURE. THE HARDWARE MAY LOOSEN OVER TIME AND MAY CAUSE THE FURNITURE TO BE WOBBLY AND UNABLE TO SUPPORT ITS INTENDED WEIGHT CAPACITY. THIS MAY LEAD TO COLLAPSE AND MAY CAUSE SERIOUS INJURY.

DAYBED

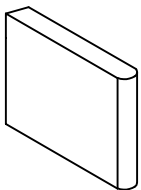


- Please keep instructions for future reference.
- Check the quantity and irregularity of parts and hardware before you start.



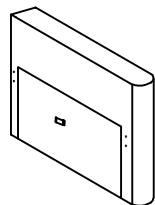
PARTS

① 1pc



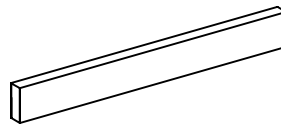
Right Arm

② 1pc



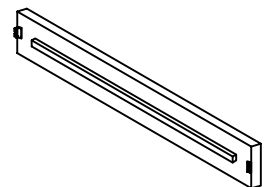
Left Arm

③ 1pc



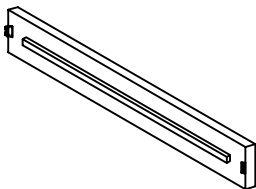
Back Panel

④ 1pc



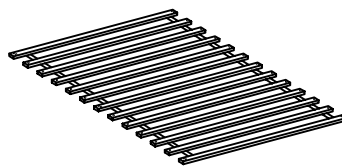
Front Side Rail

⑤ 1pc



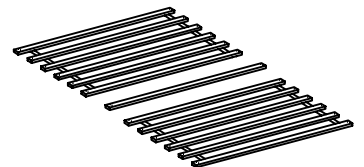
Back Side Rail

⑥ 13pcs



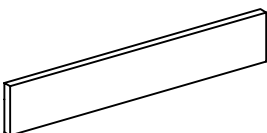
Top Slat
997 x 45 x 18mm

⑦ 13pcs



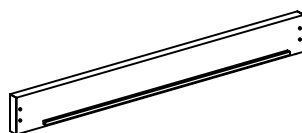
Bottom Slat
997 x 45 x 18mm

⑧ 1pc



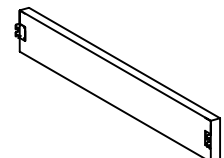
Trundle Front
Panel

⑨ 1pc



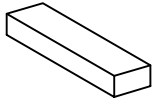
Trundle Back
Panel

⑩ 2pcs



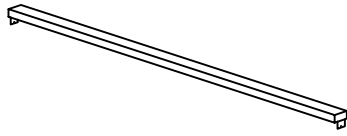
Trundle Side
Panel

11 4pcs



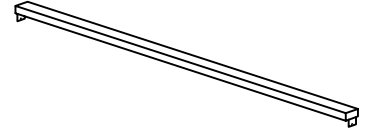
Wooden Block

12 1pc



Top Center Rail
1950mm

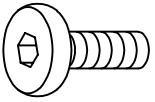
13 1pc



Bottom Center Rail
1900mm

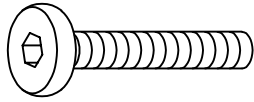
HARDWARE

A 16pcs



JCBB M8x20mm

B 4pcs



JCBC M6x60mm

C 1pc



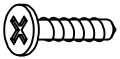
Allen Wrench
M4 x 65mm

D 1pc



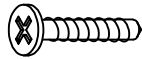
Allen Wrench
M5 x 70mm

E 28pcs



CSK Screw 16mm

F 64pcs



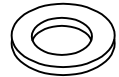
CSK Screw 32mm

G 4pcs



M6 Spring Washer

H 4pcs



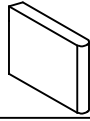
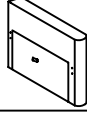
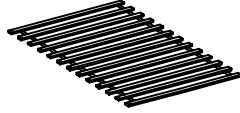
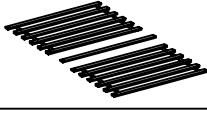
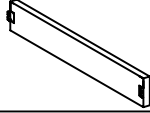





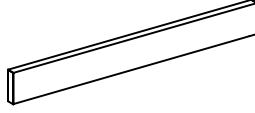


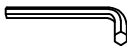
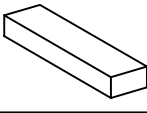

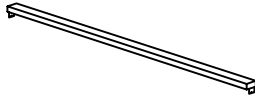

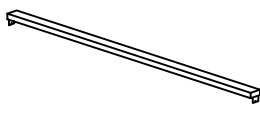



M6 Flat Washer

I 6pcs



Roller

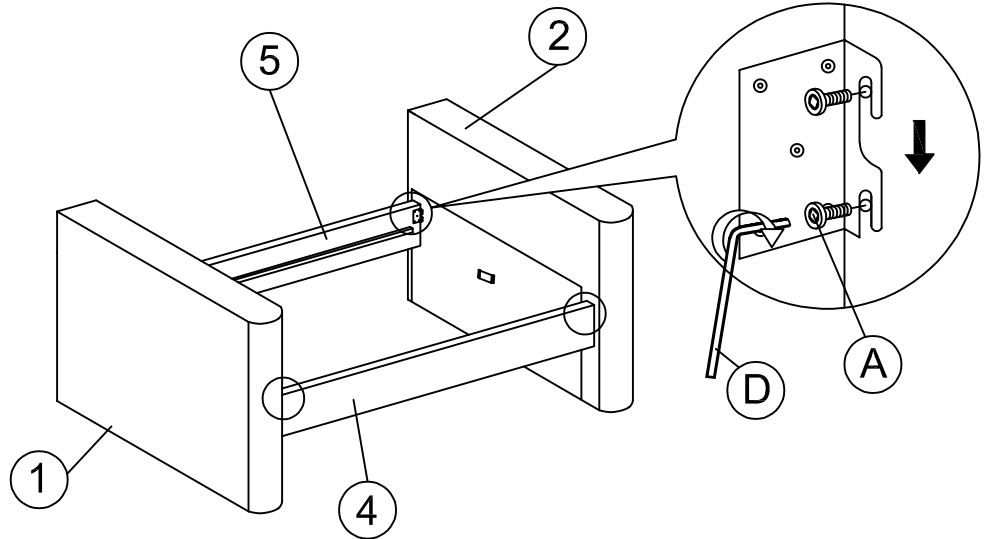
packed in 2 cases

Carton	Designation		Part	Hardware
	Right Arm	1		
	Left Arm	2		
	Top Slat	6		
	Bottom Slat	7		
	Trundle Side Panel	10		
	Back Panel	3		
	Front Side Rail	4		 A x 16pcs
	Back Side Rail	5		 B x 4pcs
	Trundle Front Panel	8		 C x 1pc
	Trundle Back Panel	9		 D x 1pc
	Wooden Block	11		 E x 28pcs
	Top Center Rail 1950mm	12		 F x 64pcs
	Bottom Center Rail 1900mm	13		 G x 4pcs
				 H x 4pcs
				 I x 6pcs

ASSEMBLY INSTRUCTIONS

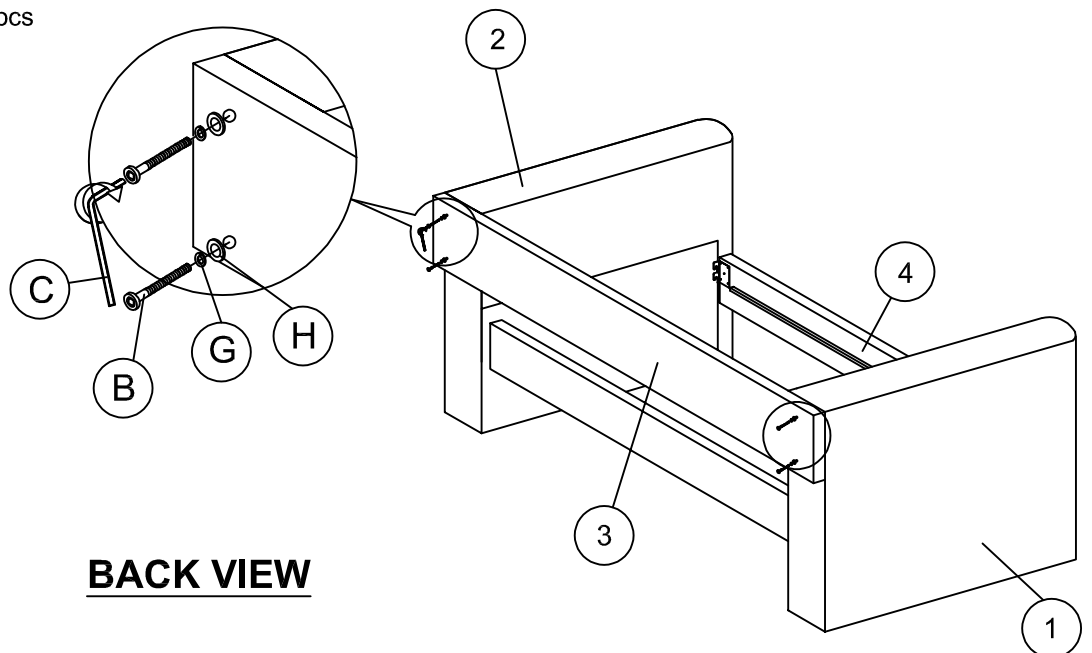
1

- Part ① x1pc
- Part ② x1pc
- Part ④ x1pc
- Part ⑤ x1pc
- Hardware ① x8pcs
- Hardware ② x1pc



2

- Part ③ x1pc
- Hardware ③ x4pcs
- Hardware ④ x1pc
- Hardware ⑤ x4pcs
- Hardware ⑥ x4pcs



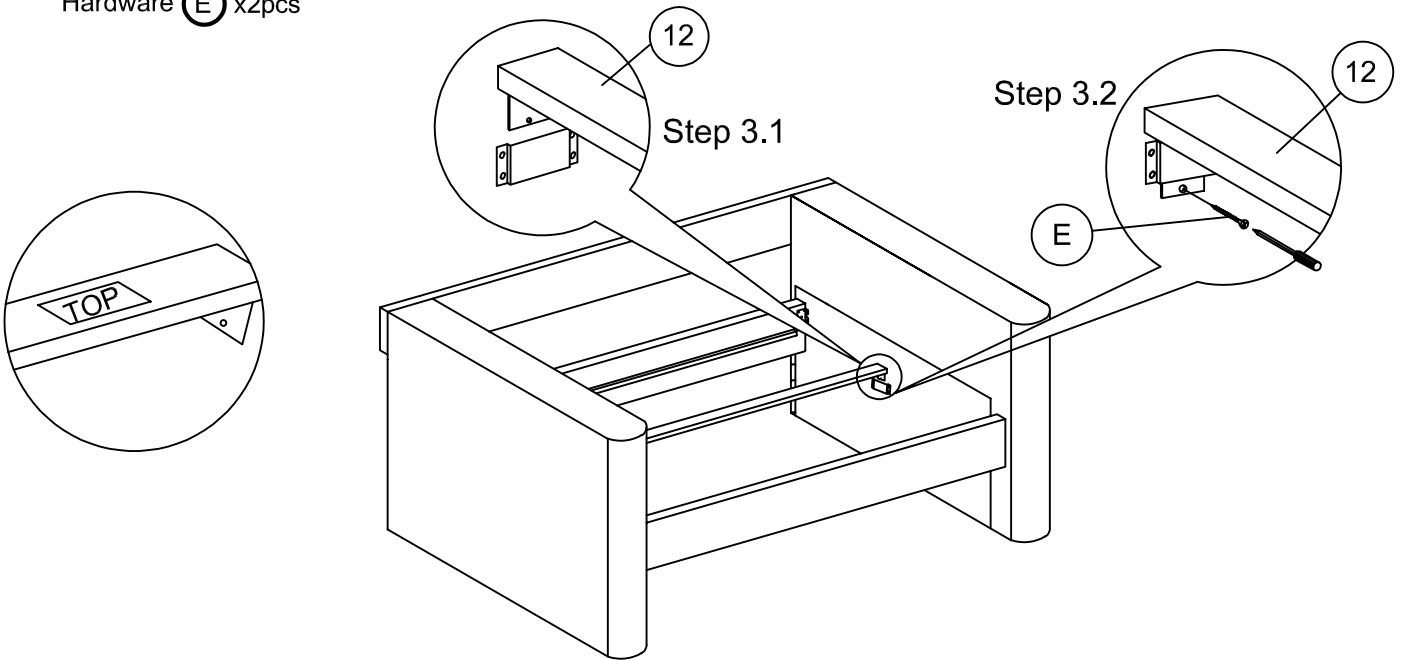
BACK VIEW

ASSEMBLY INSTRUCTIONS

3

Part (12) x1pc

Hardware (E) x2pcs

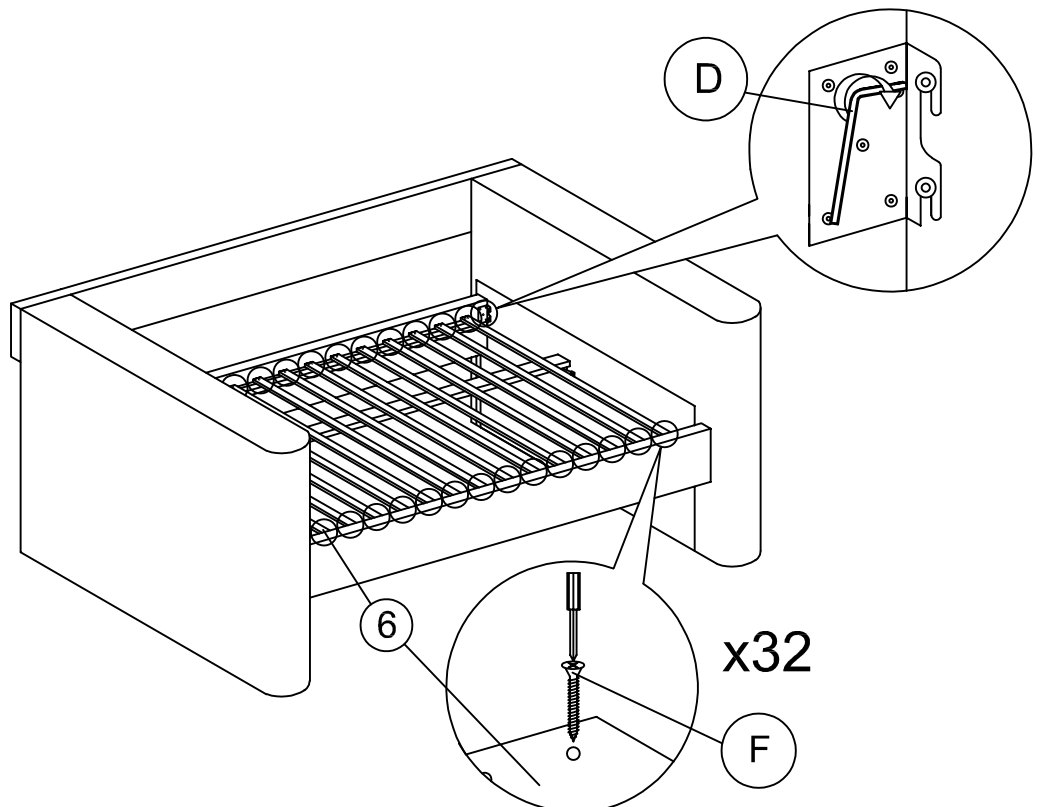


4

Part (6) x13pcs

Hardware (D) x1pc

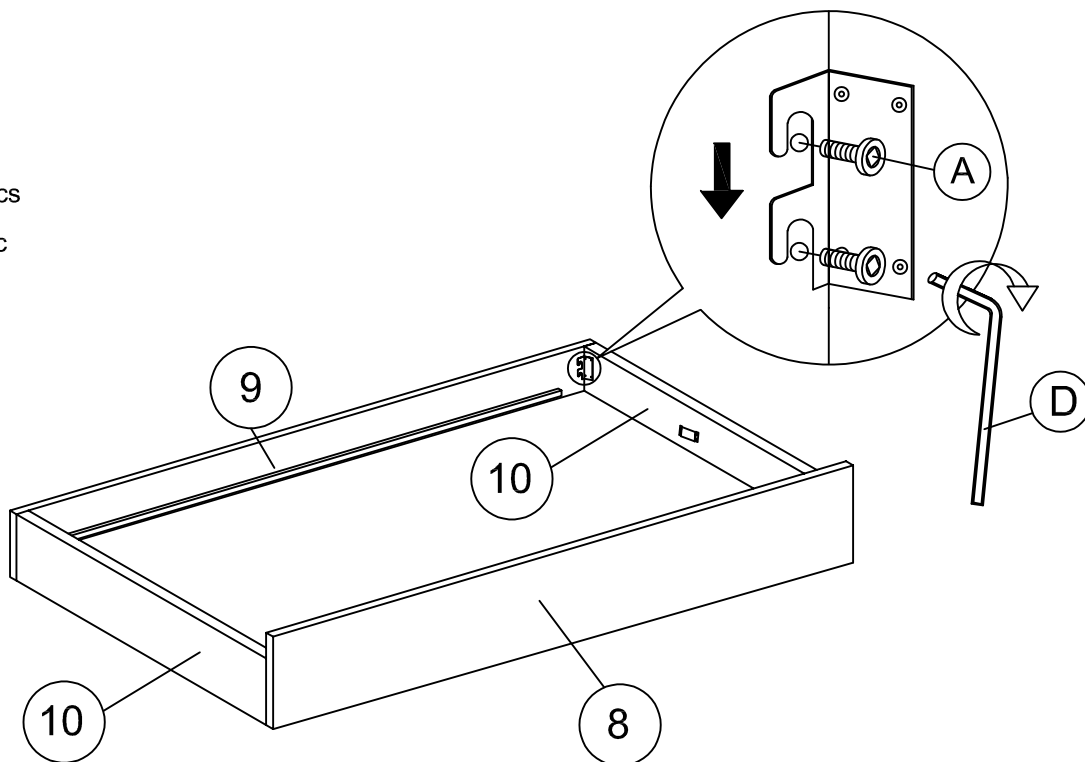
Hardware (F) x32pcs



ASSEMBLY INSTRUCTIONS

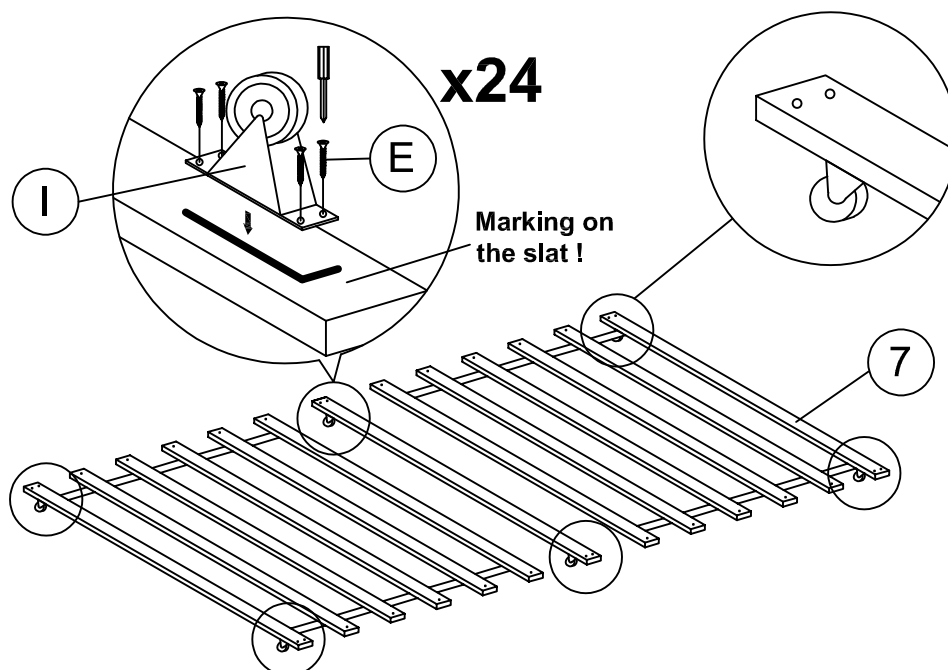
5

- Part 8 x1pc
- Part 9 x1pc
- Part 10 x2pcs
- Hardware A x8pcs
- Hardware D x1pc



6

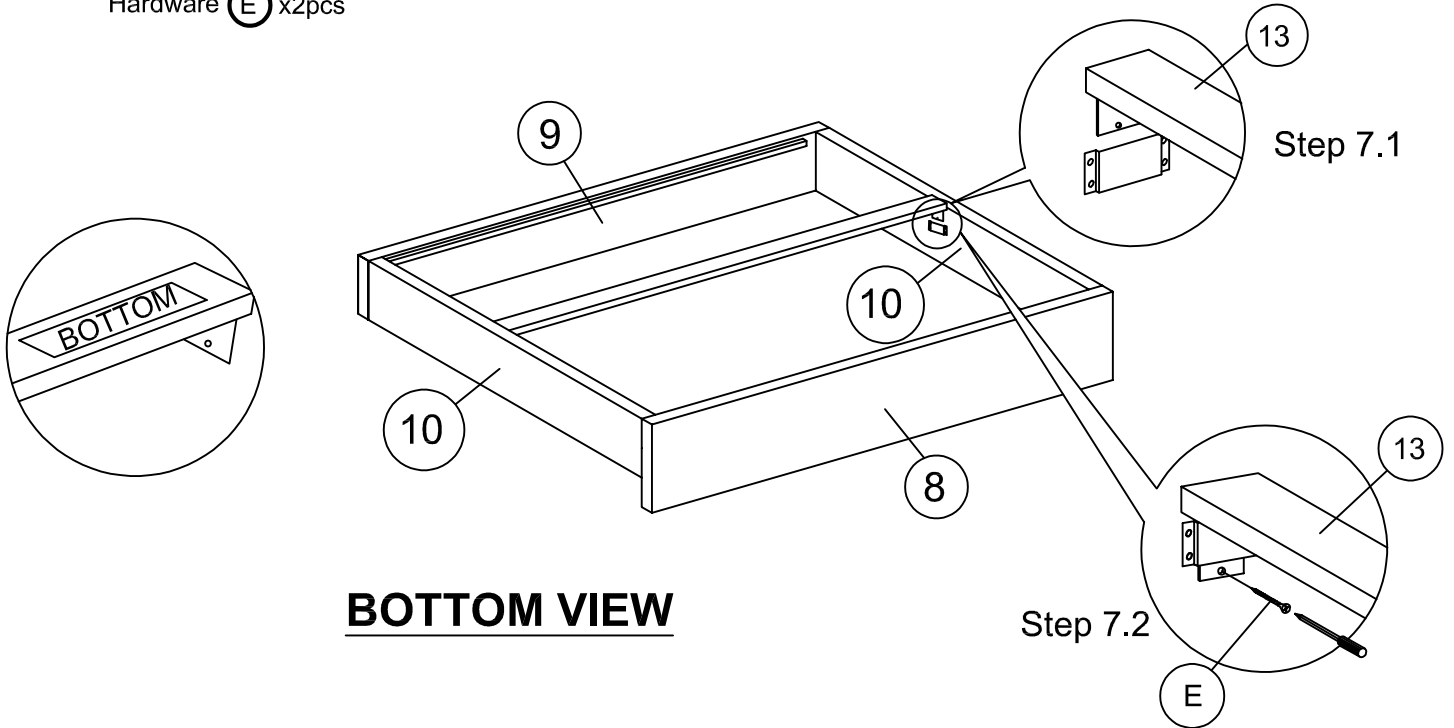
- Part 7 x13pcs
- Hardware E x24pcs
- Hardware I x6pcs



ASSEMBLY INSTRUCTIONS

7

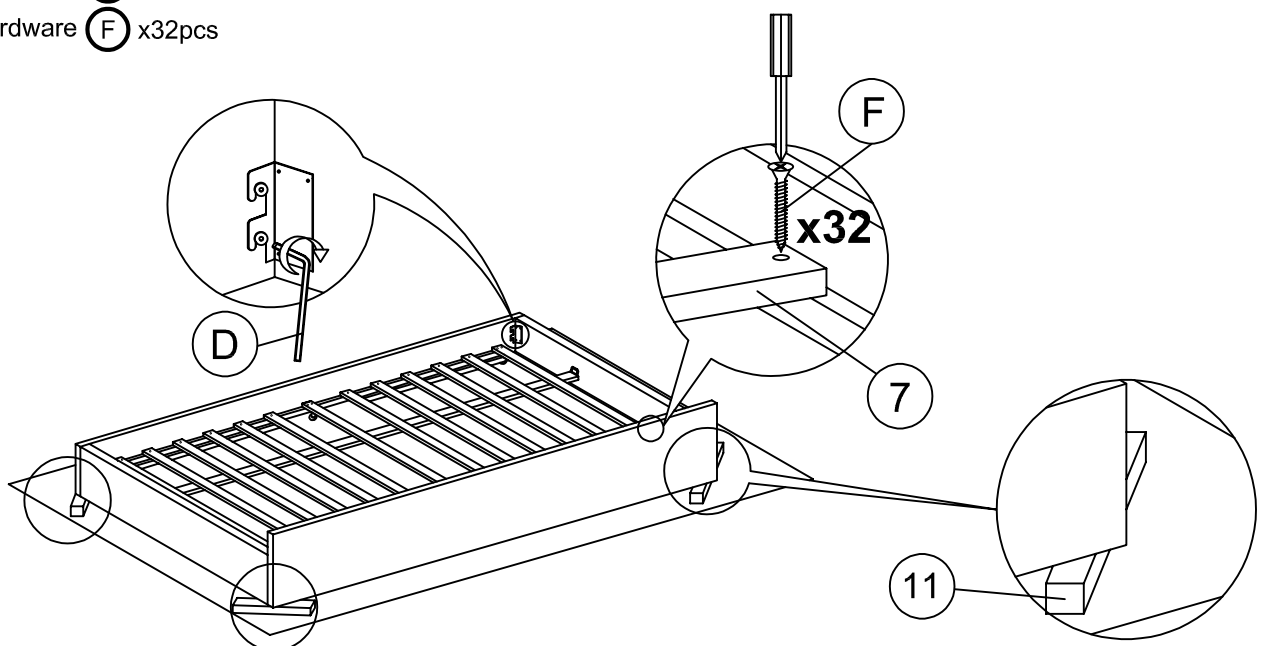
Part 13 x1pc
Hardware E x2pcs



BOTTOM VIEW

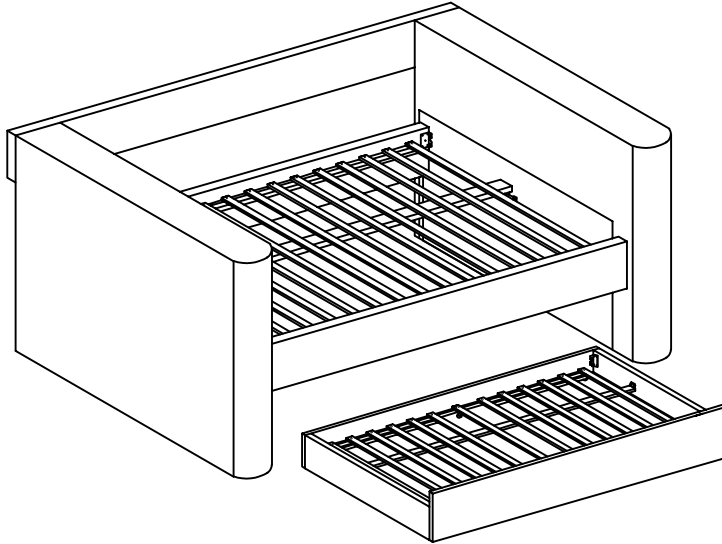
8

Part 7 x13pcs
Part 11 x4pcs
Hardware D x1pc
Hardware F x32pcs



ASSEMBLY INSTRUCTIONS

9



ASSEMBLY COMPLETED



Please ensure the furniture rests on an even and flat surface. If the product wobbles or feels loose, double-check all bolts and/or screws are properly tightened and secured.



Keep this handy!

Please retain this instruction manual and any order-related information for future reference.



Lift, don't drag!

To avoid damage to product please always LIFT the product when transporting or adjusting the placement.

This product is intended for RESIDENTIAL USE ONLY and not for commercial use.