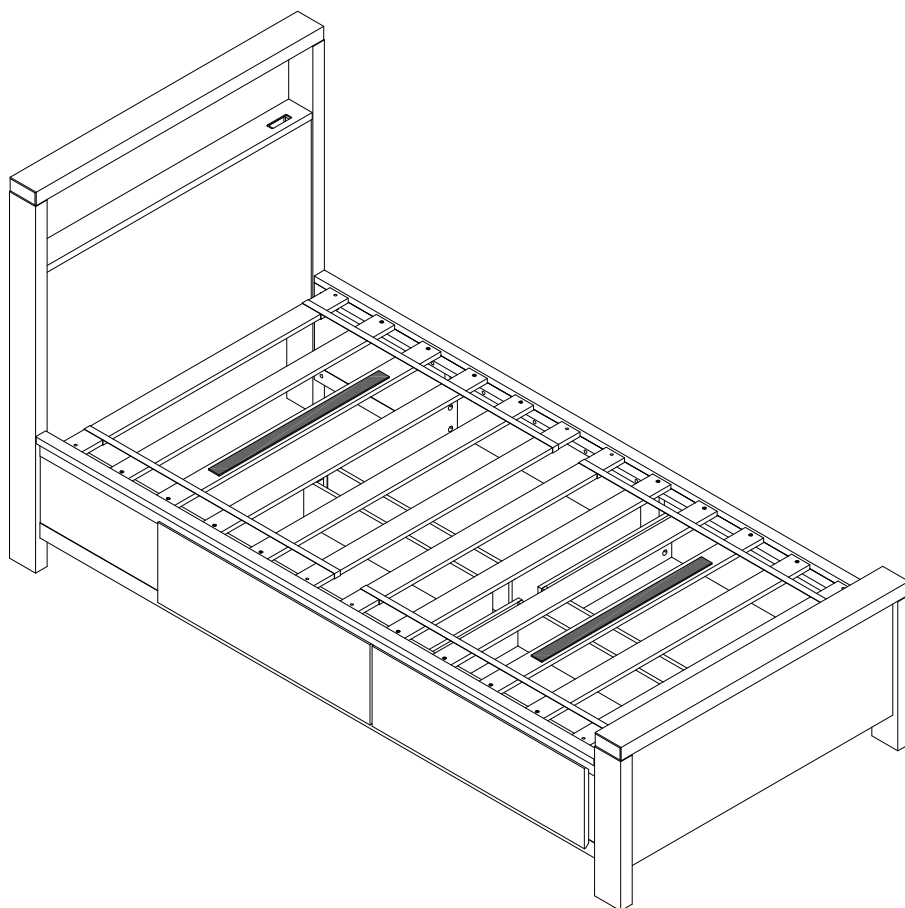


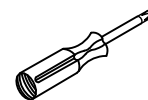
ASSEMBLY INSTRUCTIONS



TOOL REQUIRED



Allen Wrench
(Included)



Phillips
Screwdriver
(Not Included)



2 - People
Recommended

ASSEMBLY RATING



EASY → DIFFICULT

The Assembly Rating is a 5-point system showing the level of effort needed to assemble a specific product.



CHECK BEFORE STARTING

Are you missing anything?

Double-check all parts, hardware and accessories listed are all accounted for.

Check out our Quick Tips!

We recommend reviewing the pre-assembly handouts. Even experts need a refresher now and then!

Should we send any replacements?

Are there any irregularities or flaws in the parts? We can send replacements!

Prep Time!

Please review the assembly instructions and all diagrams prior to assembling.

PRE ASSEMBLY INTRODUCTION

We understand building ready-to-assemble furniture can be a challenging experience for some. To help avoid confusion, we have provided some helpful tips that may speed up the process.



Teamwork

ALWAYS have at least two people to help with transporting and assembling the product to avoid potential injury and/or damage.



Suitable Location

Assembling near the area of the intended location is highly recommended.



Sufficient Space

Make sure you have enough space to move around during the assembly.



Avoid Scratches

Use cardboard, blankets or a carpeted area while assembling furniture to prevent to prevent scratches and damages.



Flat Surface

Make sure the furniture rests on a flat and level surface with each leg evenly touching the floor.

ASSEMBLY AND CARE ADVICE



FAILURE TO FOLLOW THE GUIDELINES BELOW MAY RESULT IN INJURY AND/OR PROPERTY DAMAGE.



Position each part correctly and insert screws or bolts into their respective holes.



Turn clockwise to tighten and only tighten when step is completed or when instructed to do so.



Use the appropriate hand tools or power tools for assembly. Select steps, such as tightening screws and/or bolts, may require hand tools to avoid causing damage during assembly.



Save the instructions and store any supplied tools for later maintenance.



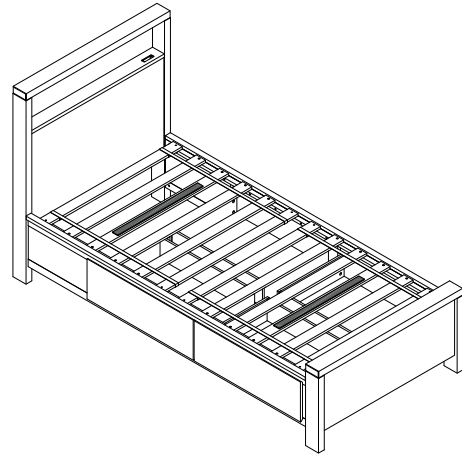
After two weeks, check and tighten any loose hardware and repeat again every six months thereafter.

IT IS THE USER'S RESPONSIBILITY TO MAINTAIN THE FURNITURE. THE HARDWARE MAY LOOSEN OVER TIME AND MAY CAUSE THE FURNITURE TO BE WOBBLY AND UNABLE TO SUPPORT ITS INTENDED WEIGHT CAPACITY. THIS MAY LEAD TO COLLAPSE AND MAY CAUSE SERIOUS INJURY.

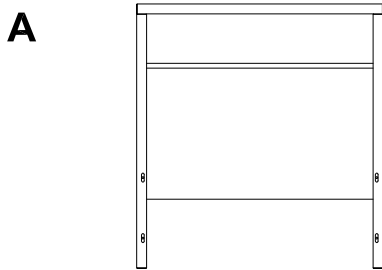
SINGLE BED



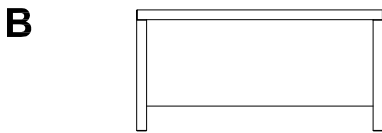
- Please keep instructions for future reference.
- Check the quantity and irregularity of parts and hardware before you start.



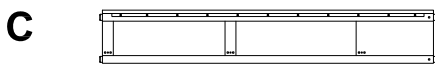
PARTS



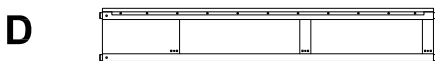
A
HEADBOARD
1pc



B
FOOTBOARD
1pc



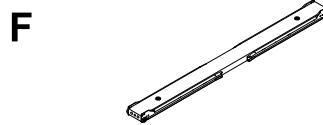
C
SIDE PANEL - LEFT
1pc



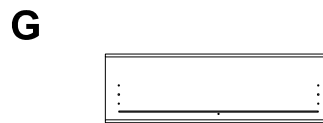
D
SIDE PANEL - RIGHT
1pc



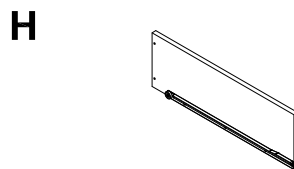
E
DRAWER SLIDE
SUPPORT RAIL 1 & 3
2pcs



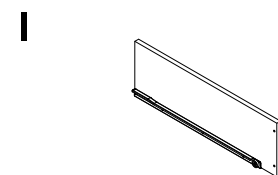
F
DRAWER SLIDE
MIDDLE
1pc



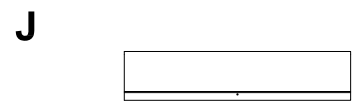
G
DRAWER FRONT
PANEL
4pcs



H
DRAWER SIDE PANEL
LEFT
4pcs



I
DRAWER SIDE PANEL
RIGHT
4pcs



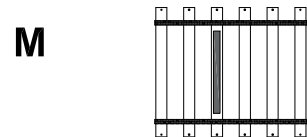
J
DRAWER BACK PANEL
4pcs



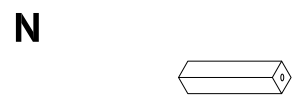
K
DRAWER BOTTOM
PANEL
4pcs



L
DRAWER SUPPORT
4pcs



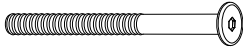
M
SLAT
2sets



N
SLAT SUPPORT
2pcs

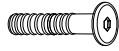
HARDWARE

1



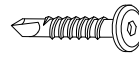
JCBC M6 x 120mm
4pcs

2



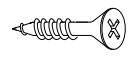
JCBC M6 x 30mm
8pcs

3



JCBC-W M6x 28mm
8pcs

4



WOOD SCREW
4.0 x 28mm
32pcs

5



BARREL NUT
M6 x 13mm
4pcs

6



WOOD DOWEL
Ø10 x 30mm
12pcs

7



WOOD DOWEL
Ø8 x 30mm
24pcs

8



MINIFIX CAM
24pcs

9



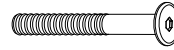
MINIFIX BOLT
24pcs

10



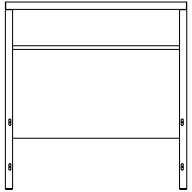
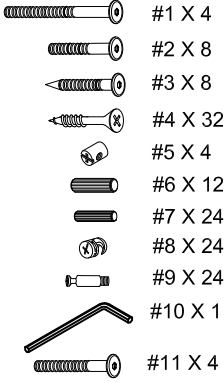
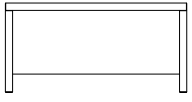



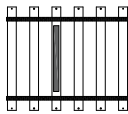


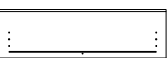
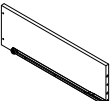
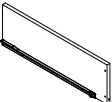
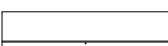

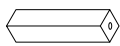
ALLEN KEY M4
1pc

11




JCBC M6 x 80mm
4pcs

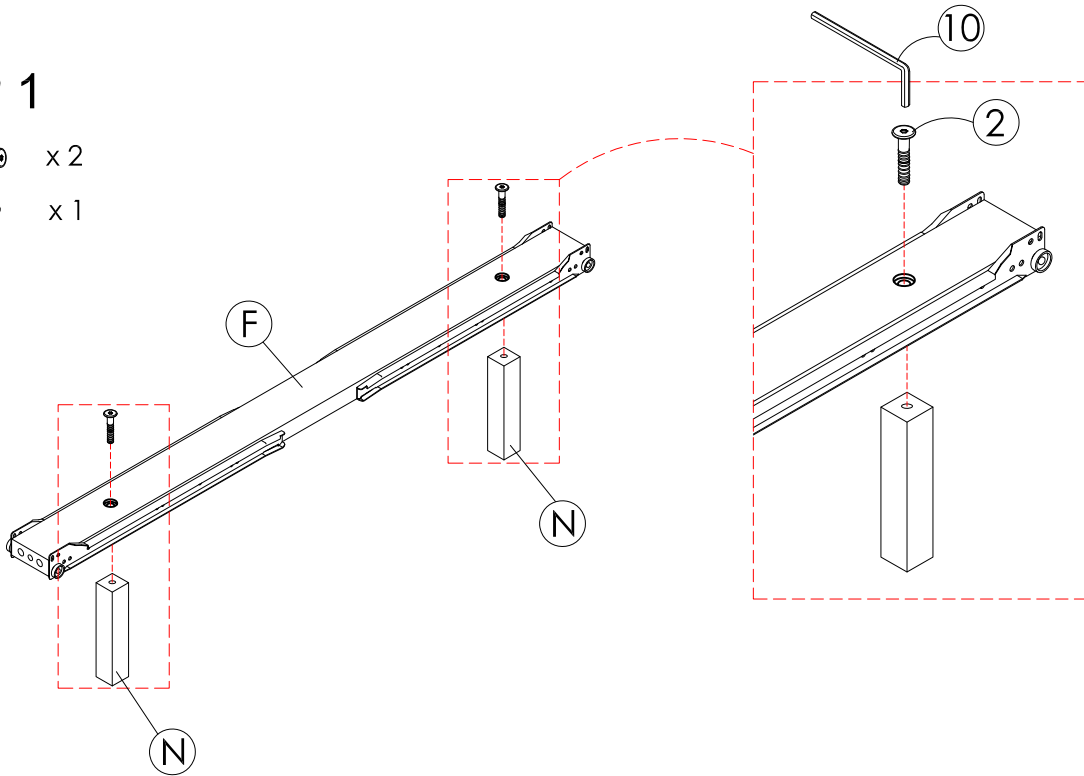
packed in 2 cartons

Carton	Designation	Part	Hardware
	Headboard	A  X 1	
	Footboard	B  X 1	
	Drawer Slide Support Rail 1 & 3	E  X 2	
	Drawer Slide Support Middle	F  X 1	
	Drawer Bottom Panel	K  X 4	
	Slat	M  X 2	
	Side Panel -Left	C  X 1	
	Side Panel - Right	D  X 1	
	Drawer Front Panel	G  X 4	
	Drawer Side Panel (Left)	H  X 4	
	Drawer Side Panel (Right)	I  X 4	
	Drawer Back Panel	J  X 4	
	Drawer Support	L  X 4	
	Slat Support	N  X 2	

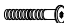


ASSEMBLY INSTRUCTION

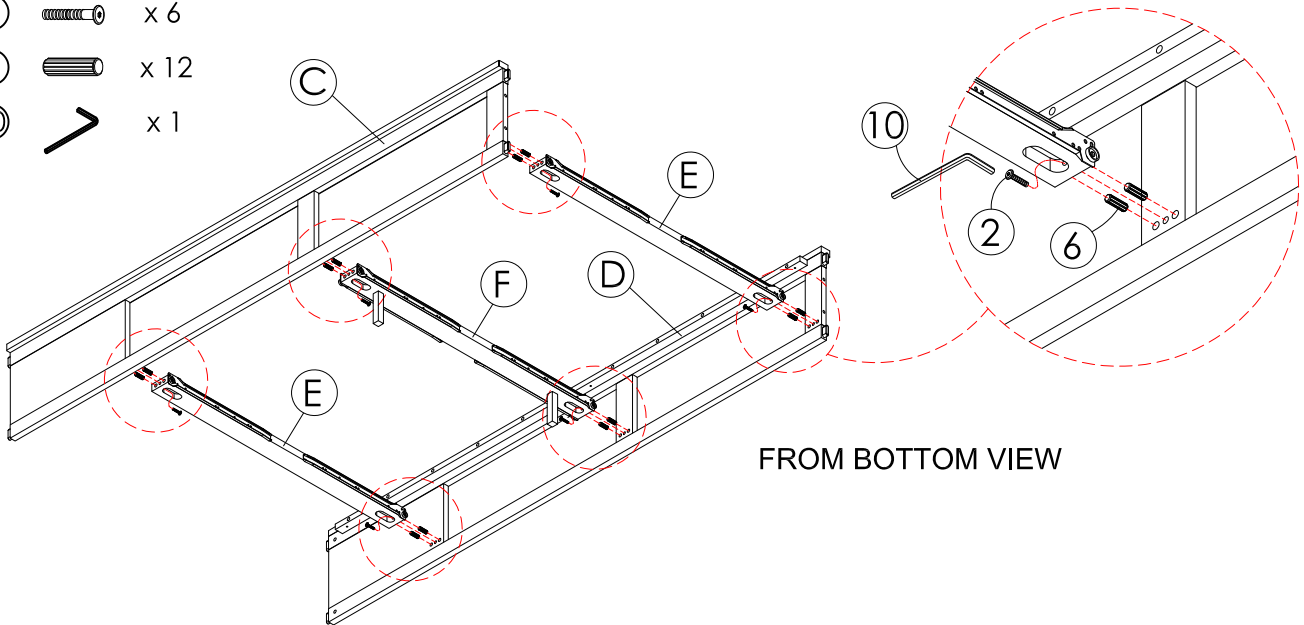
STEP 1

- ②  x 2
- ⑩  x 1







STEP 2

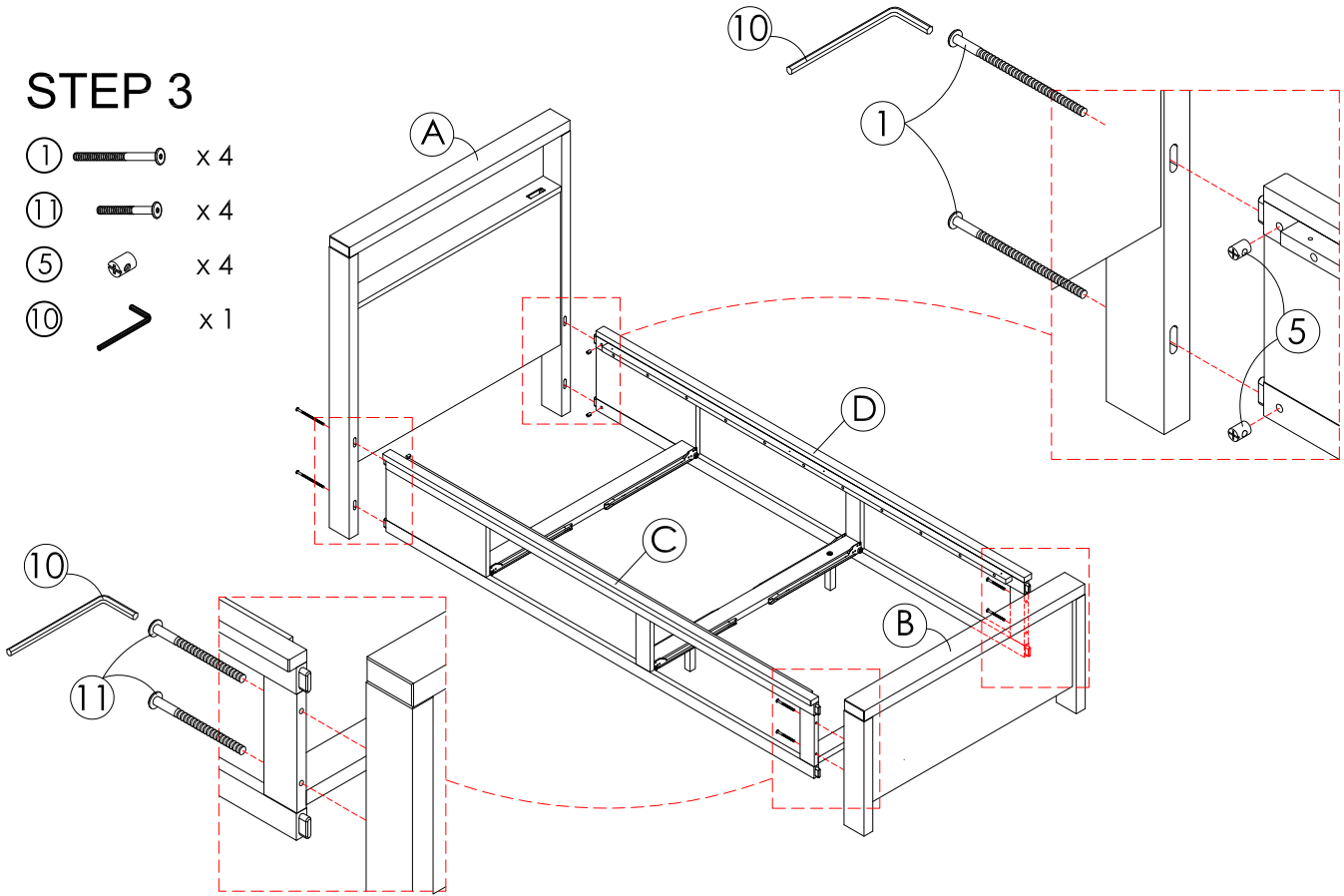
- ②  x 6
- ⑥  x 12
- ⑩  x 1




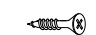

ASSEMBLY INSTRUCTION

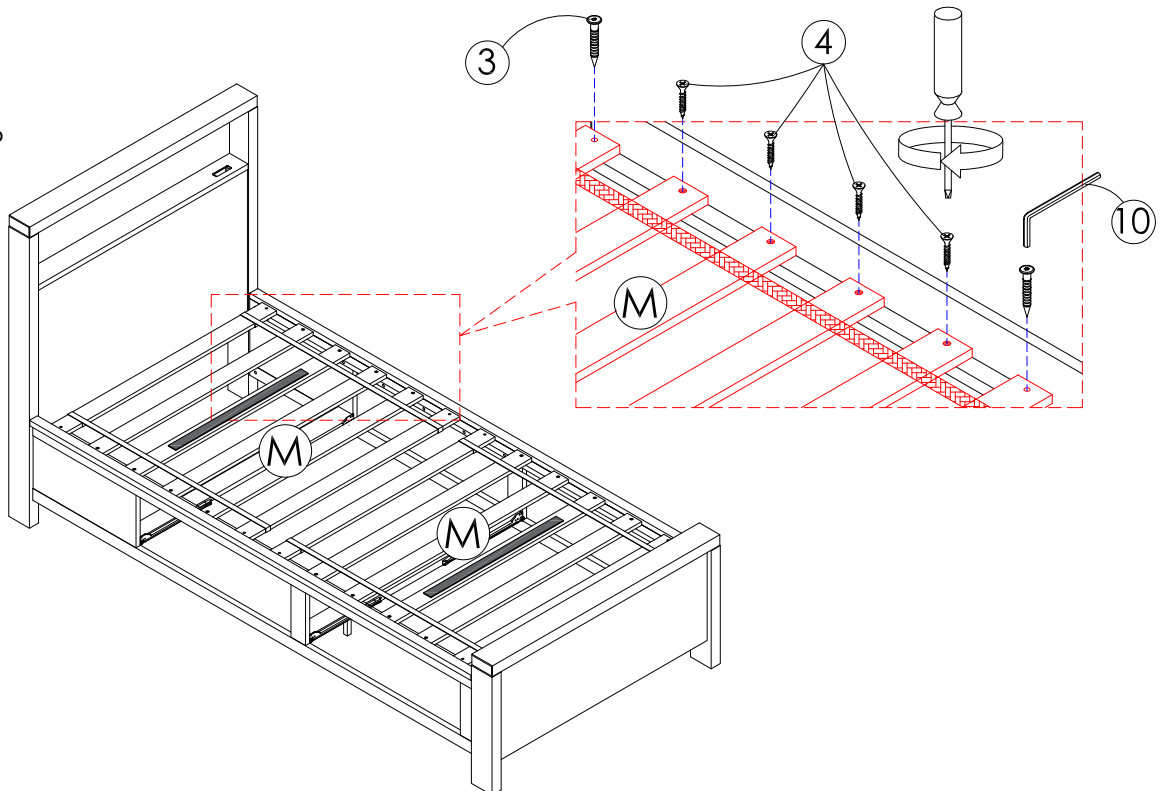
STEP 3

- ①  x 4
- ⑪  x 4
- ⑤  x 4
- ⑩  x 1




STEP 4

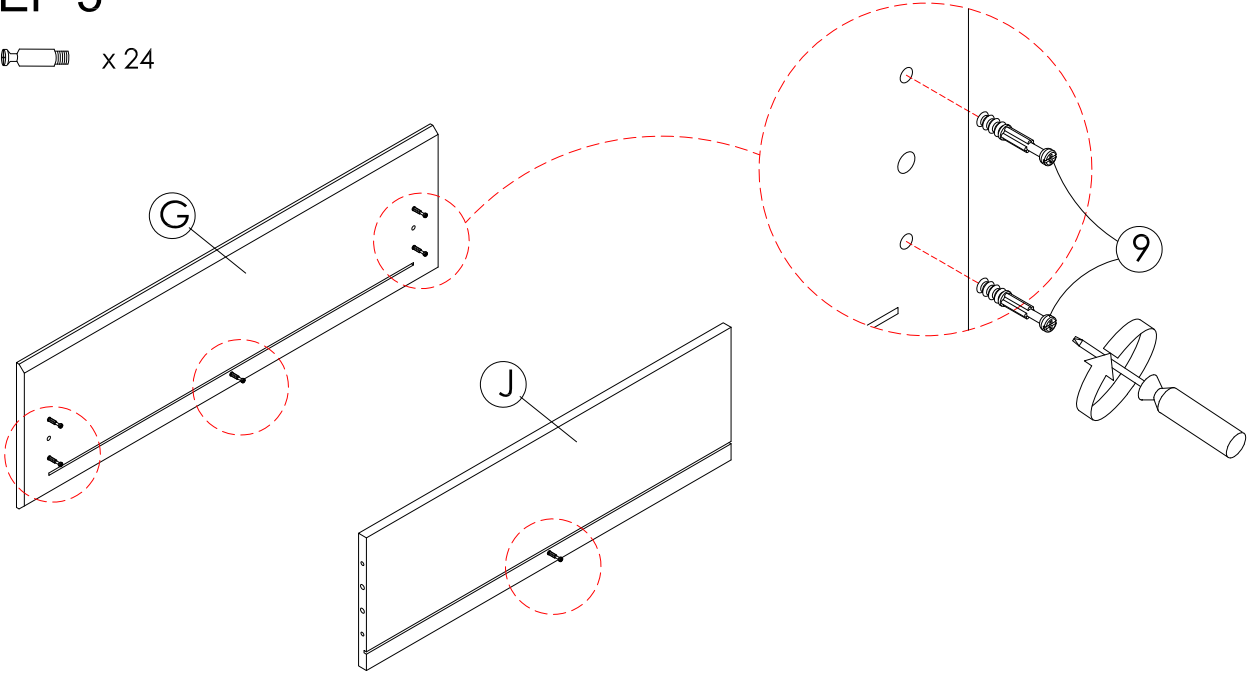
- ③  x 8
- ④  x 16
- ⑩  x 1



ASSEMBLY INSTRUCTION

STEP 5

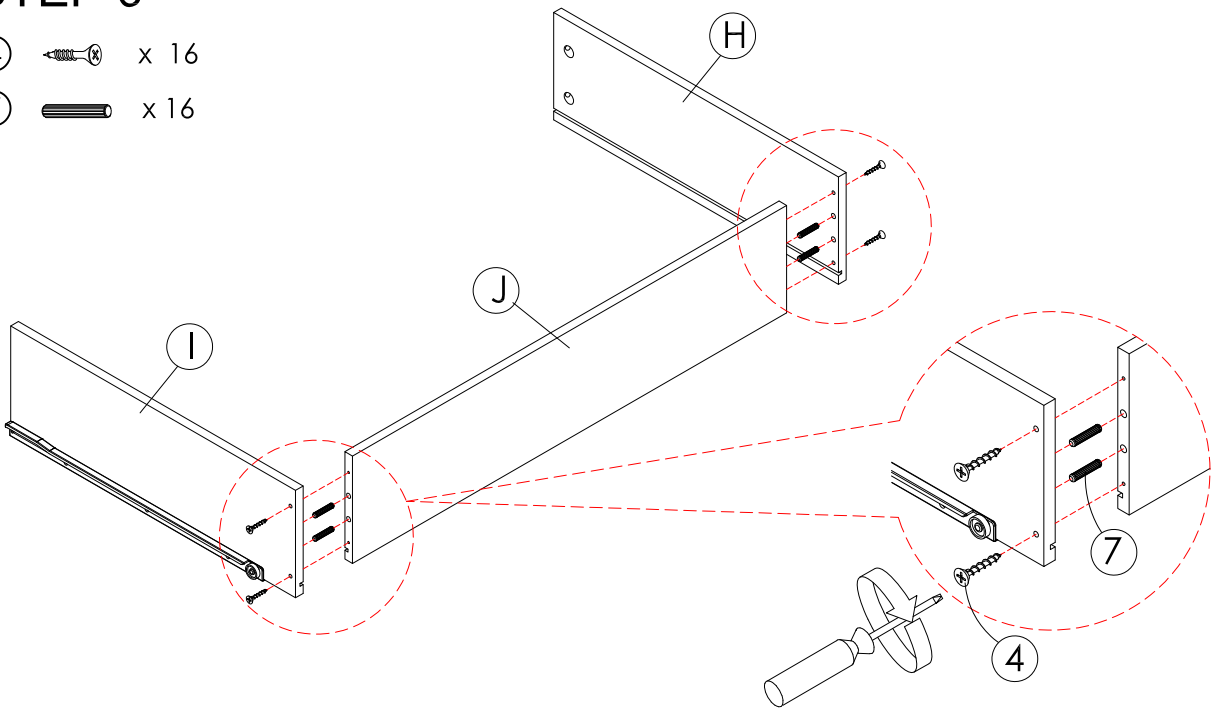
⑨  x 24



STEP 6

④  x 16

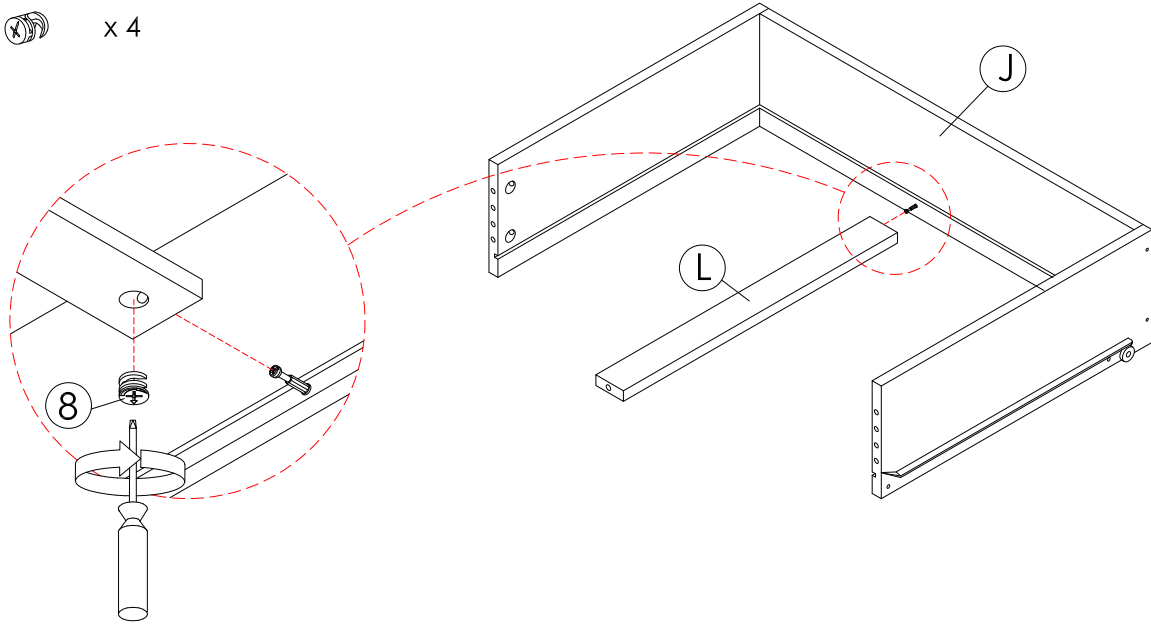
⑦  x 16



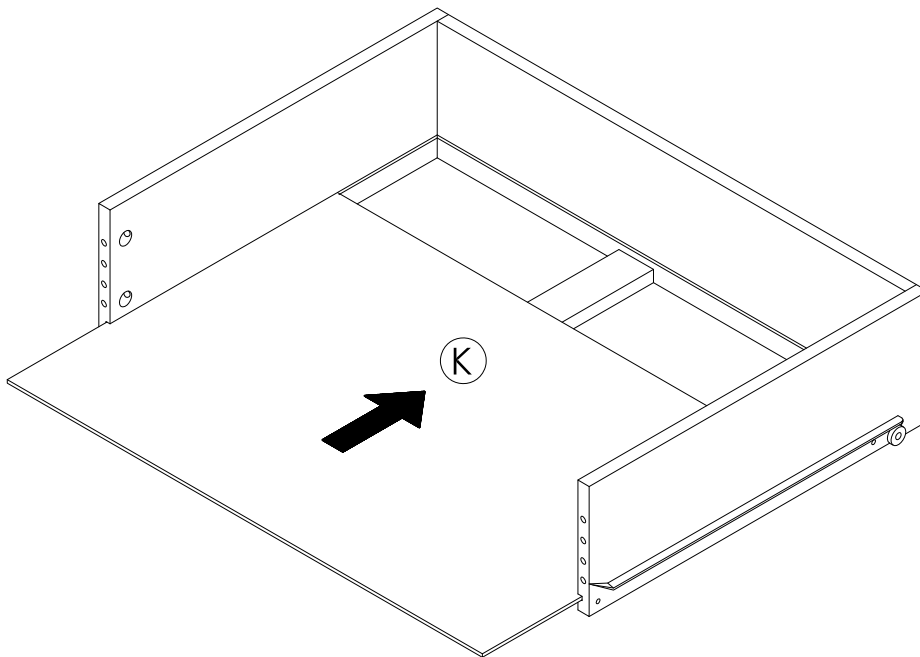
ASSEMBLY INSTRUCTION

STEP 7

⑧  x 4



STEP 8

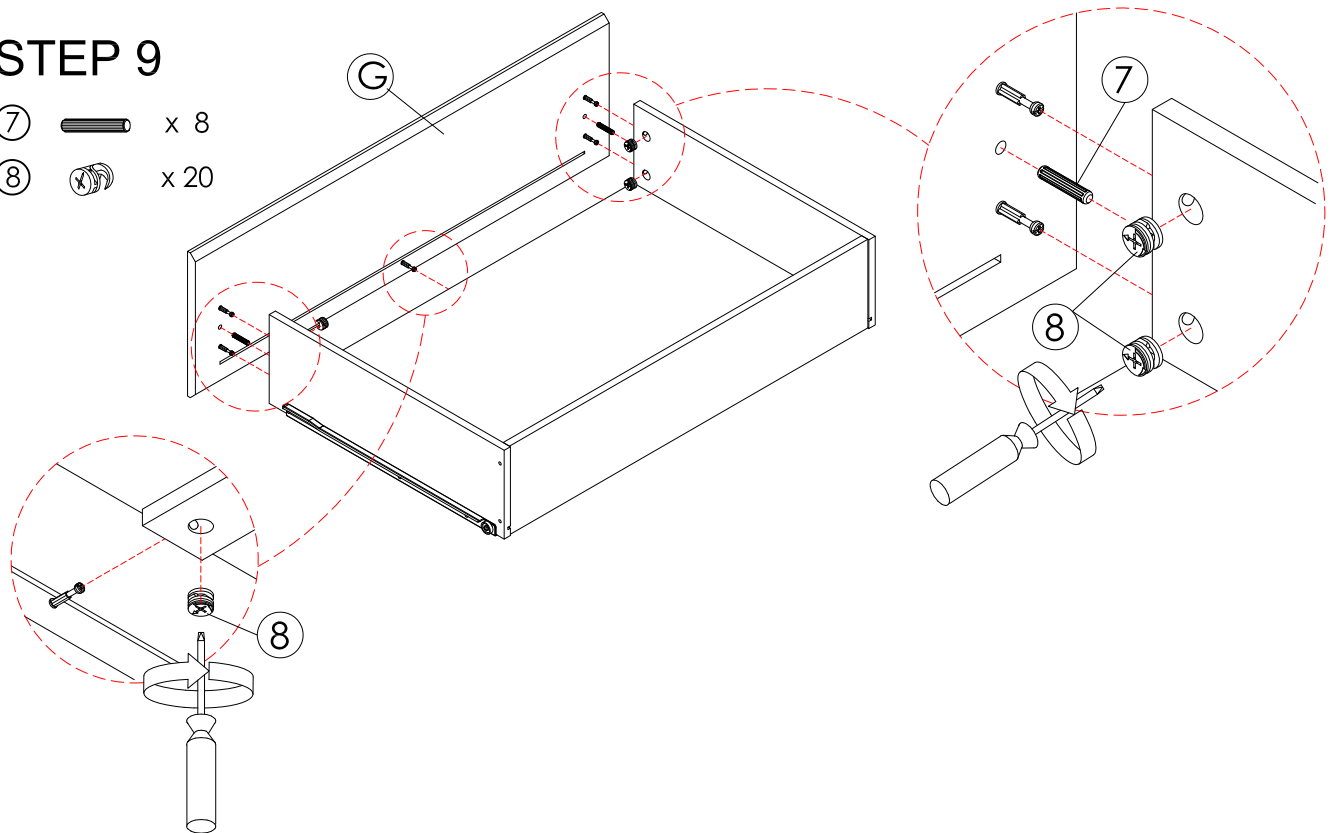


ASSEMBLY INSTRUCTION

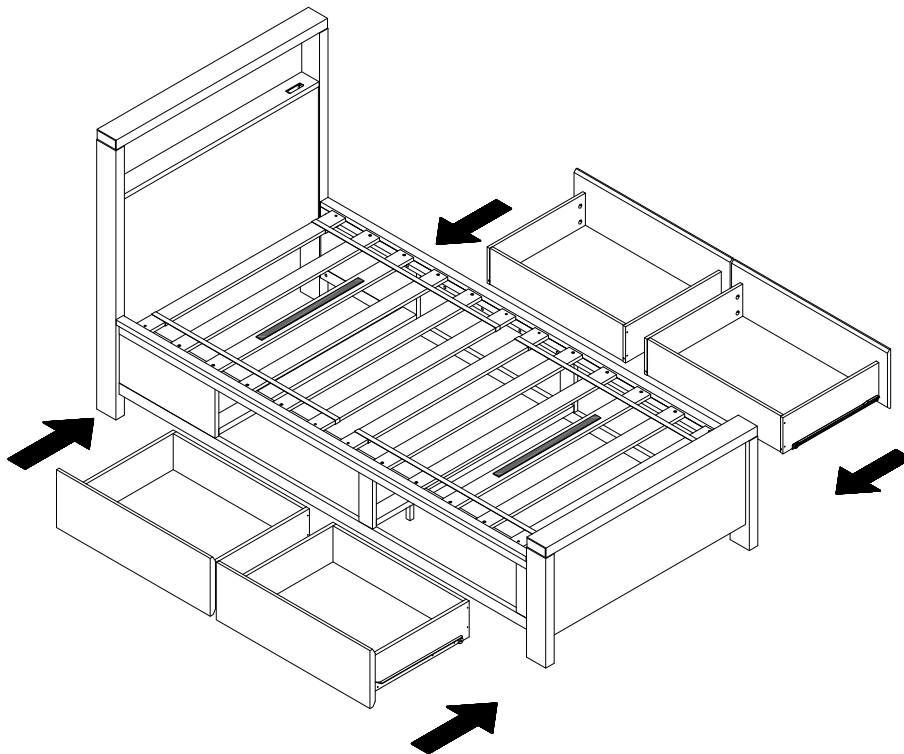
STEP 9

⑦  x 8

⑧  x 20

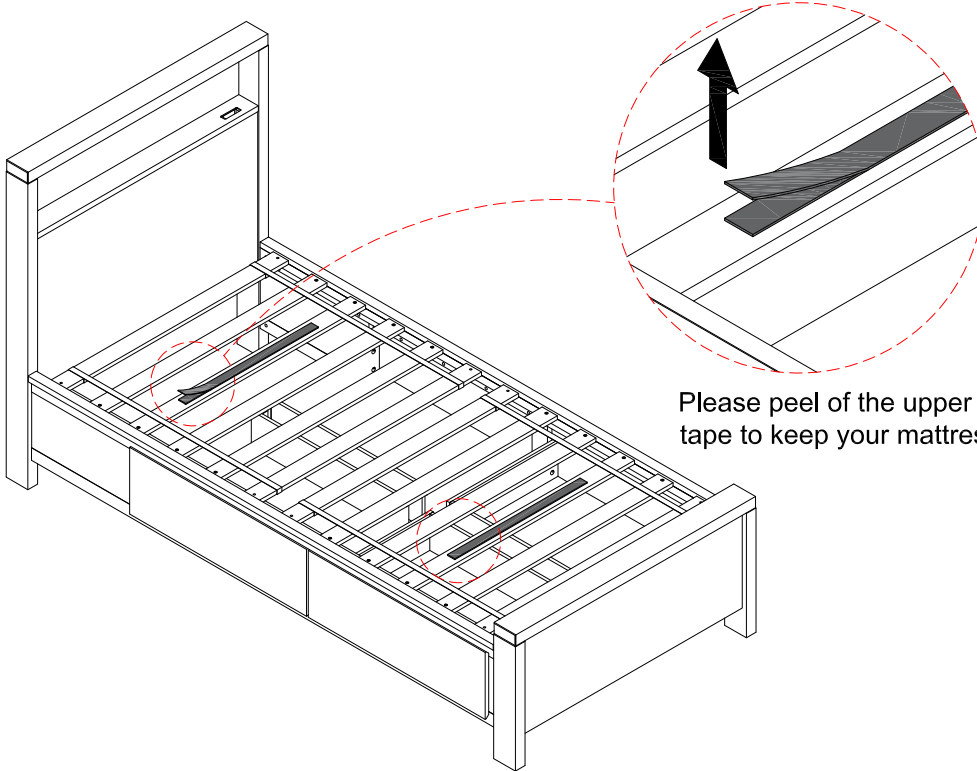


STEP 10



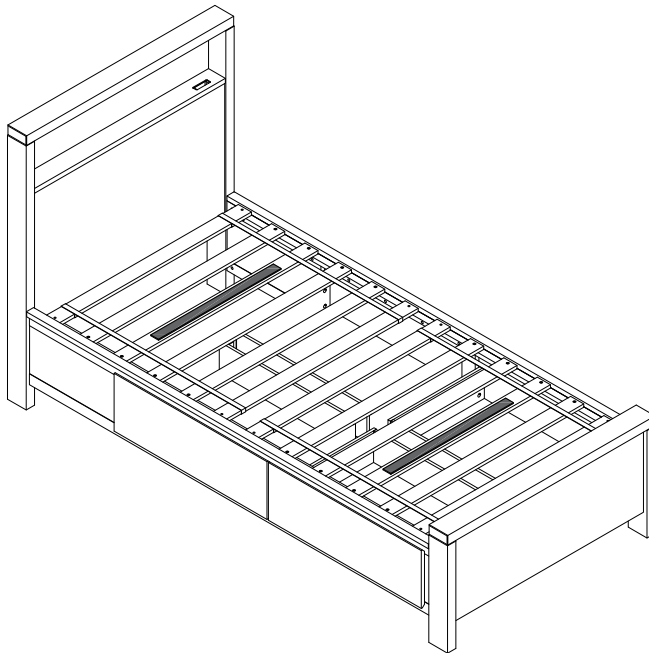
ASSEMBLY INSTRUCTION

STEP 11



Please peel of the upper strip non-slip tape to keep your mattress in place.

COMPLETE



ASSEMBLY COMPLETED



Please ensure the furniture rest on an even and flat surface. If the product wobbles or feels loose, double-check all bolts and/or screw are properly tightened and secured.



Keep this handy!

Please retain this instruction manual and any order-related information for future reference.



Lift, don't drag!

To avoid damage to product please always LIFT the product when transporting or adjusting the placement.

This product is intended for RESIDENTIAL USE ONLY and not for commercial use.