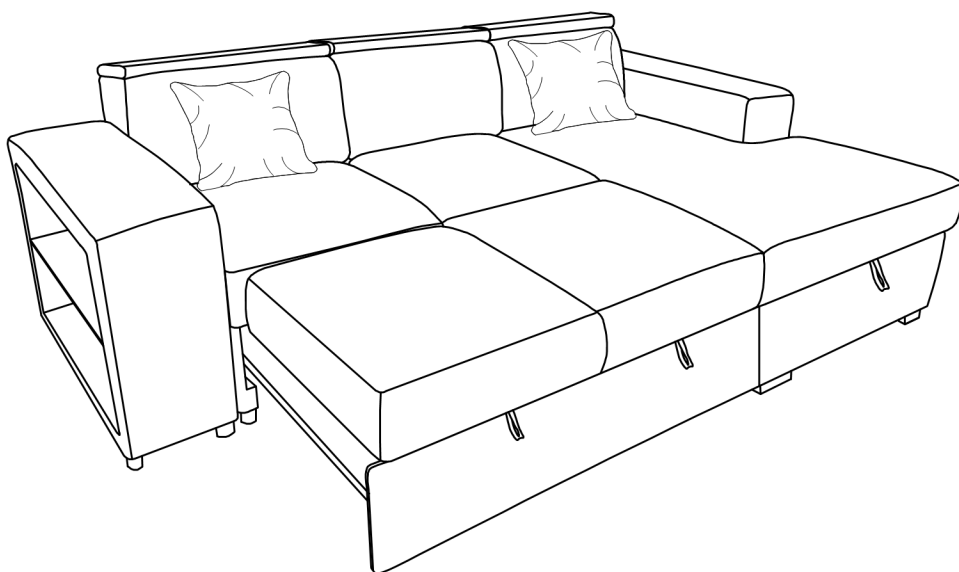


ASSEMBLY INSTRUCTIONS



TOOLS REQUIRED



**Phillips
Screwdriver**

(Not Included)



**2 - People
Recommended**

ASSEMBLY RATING



EASY —————> DIFFICULT

The Assembly Rating is a 5-point system showing the level of effort needed to assemble a specific product.



CHECK BEFORE STARTING

Are you missing anything?

Double-check all parts, hardware and accessories listed are all accounted for.

Should we send any replacements?

Are there any irregularities or flaws in the parts? We can send replacements!

Check out our Quick Tips!

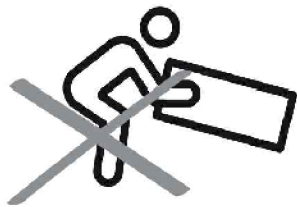
We recommend reviewing the pre-assembly handouts. Even experts need a refresher now and then!

Prep Time!

Please review the assembly instructions and all diagrams prior to assembling.

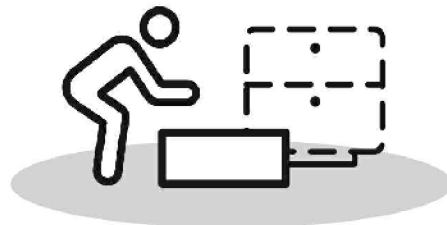
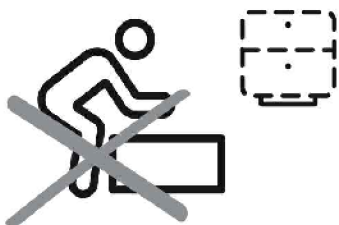
PRE ASSEMBLY INTRODUCTION

We understand building ready-to-assemble furniture can be a challenging experience for some. To help avoid confusion, we have provided some helpful tips that may speed up the process.



Teamwork

ALWAYS have at least two people to help with transporting and assembling the product to avoid potential injury and/or damage.



Suitable Location

Assembling near the area of the intended location is highly recommended.



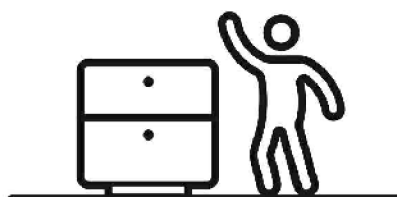
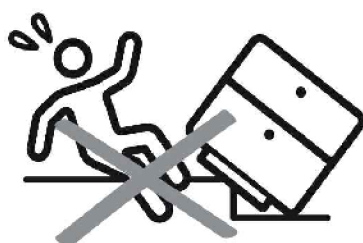
Sufficient Space

Make sure you have enough space to move around during the assembly.



Avoid Scratches

Use cardboard, blankets or a carpeted area while assembling furniture to prevent to prevent scratches and damages.



Flat Surface

Make sure the furniture rests on a flat and level surface with each leg evenly touching the floor.

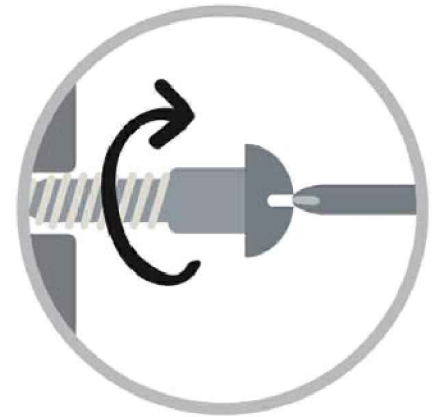
ASSEMBLY AND CARE ADVICE



FAILURE TO FOLLOW THE GUIDELINES BELOW MAY RESULT IN INJURY AND/OR PROPERTY DAMAGE.



Position each part correctly and insert screws or bolts into their respective holes.



Turn clockwise to tighten and only tighten when step is completed or when instructed to do so.



Use the appropriate hand tools or power tools for assembly. Select steps, such as tightening screws and/or bolts, may require hand tools to avoid causing damage during assembly.












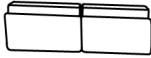





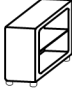


Save the instructions and store any supplied tools for later maintenance.



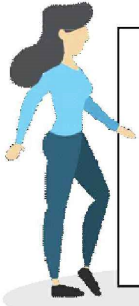
After two weeks, check and tighten any loose hardware and repeat again every six months thereafter.

IT IS THE USER'S RESPONSIBILITY TO MAINTAIN THE FURNITURE. THE HARDWARE MAY LOOSEN OVER TIME AND MAY CAUSE THE FURNITURE TO BE WOBBLY AND UNABLE TO SUPPORT ITS INTENDED WEIGHT CAPACITY. THIS MAY LEAD TO COLLAPSE AND MAY CAUSE SERIOUS INJURY.

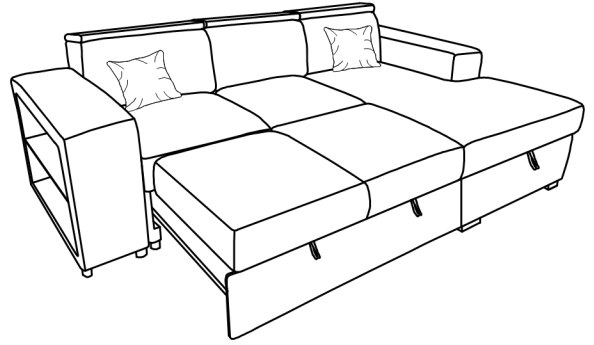
packed in 3 cases

Carton	Disignation	Part		Hardware
	CHAISE	D		 1 x 2pcs
	BACK REST	E		 2 x 8pcs  5 x 2pcs
	PILLOW	F		 6 x 3pcs
	POP-UP SLEEPER SEAT	B		 1 x 4pcs
	BACK REST	C		 2 x 4pcs  3 x 16pcs
				 4 x 4pcs  5 x 2pcs
	ARM	A	 	 1 x 8pcs
				 2 x 8pcs

SOFA

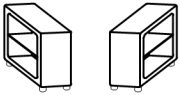


- Please keep instructions for future reference.
- Check the quantity and irregularity of parts and hardware before you start.



ARM

A



ARM
2pcs

1



ROUND LEG
8pcs

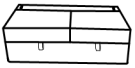
2



SCREW
Φ8*45mm
8pcs

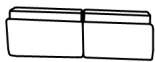
LOVESEAT WITH PULL OUT SLEEPER

B



POP-UP
SLEEPER SEAT
1pc

C



BACK REST
1pc

1



ROUND LEG
4pcs

2



SCREW
Φ8*45mm
4pcs

3



SCREW
Φ8*25mm
16pcs

4



ROTATING
WHEEL
4pcs

5



MALE
BRACKET
2pcs

CHAISE

D



CHAISE SEAT
1pc

E



BACK REST
1pc

F



PILLOW
2pcs

1



ROUND LEG
2pcs

2



SCREW
Φ8*45mm
8pcs

5



MALE
BRACKET
2pcs

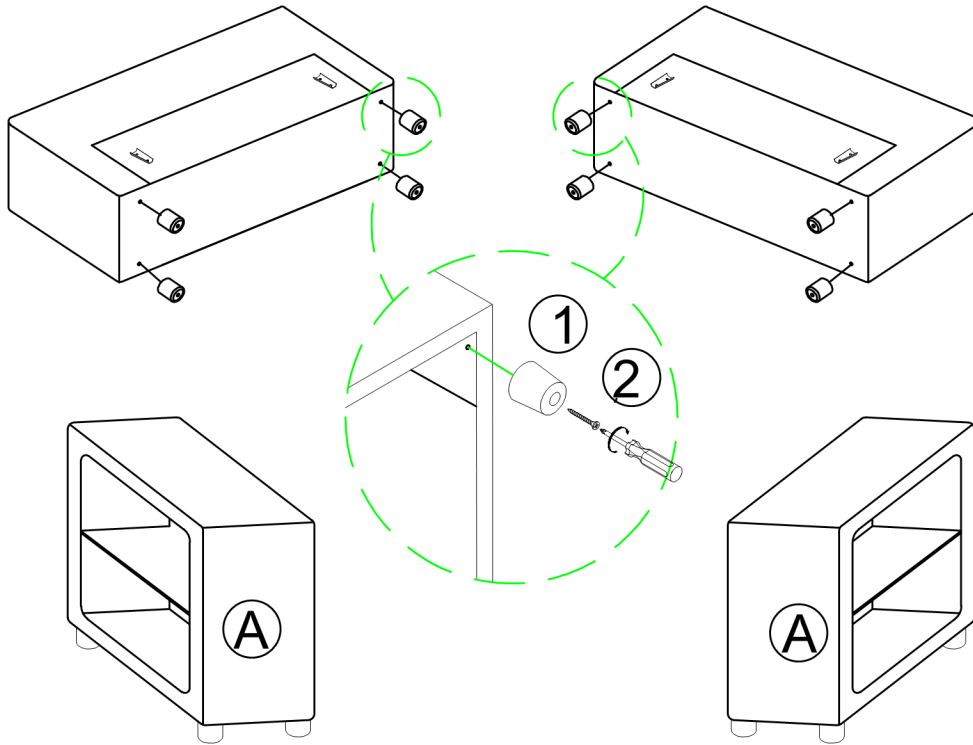
6



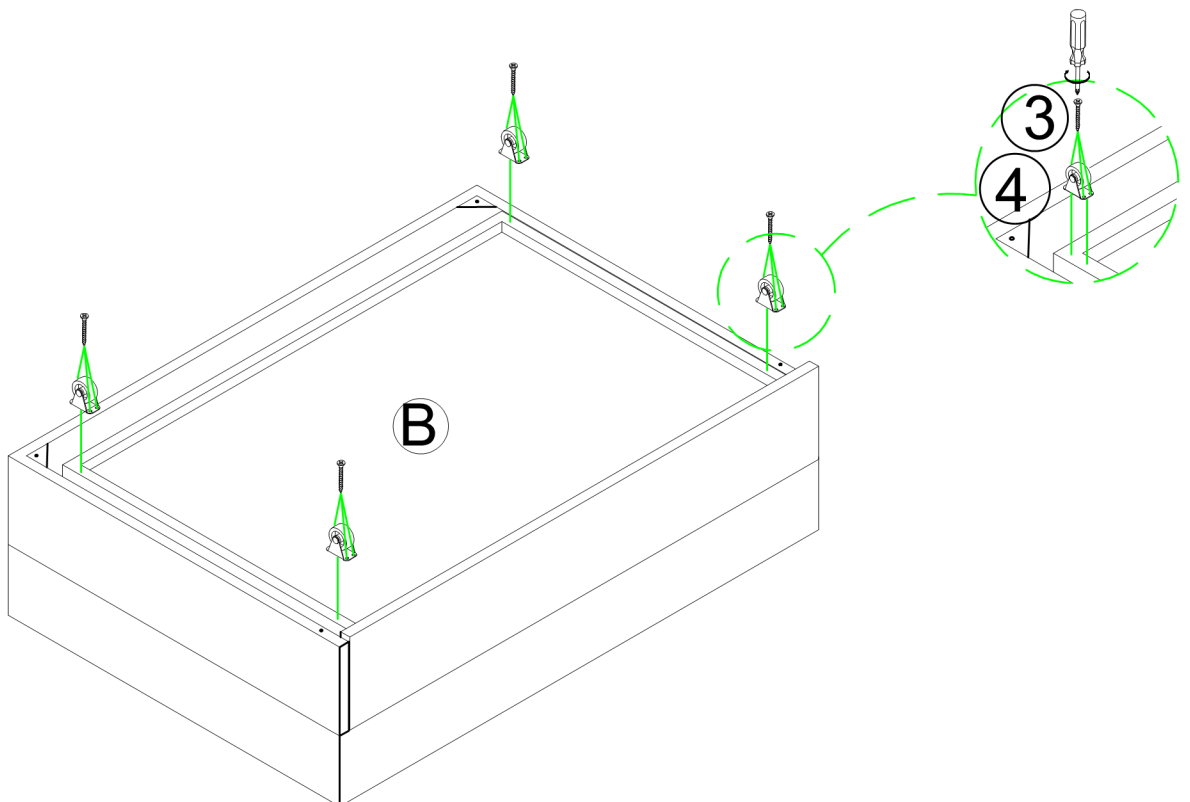
RECTANGLE
LEG
3pcs

ASSEMBLY INSTRUCTION

STEP 1: Screw up rectangle leg (1) into arm (A)

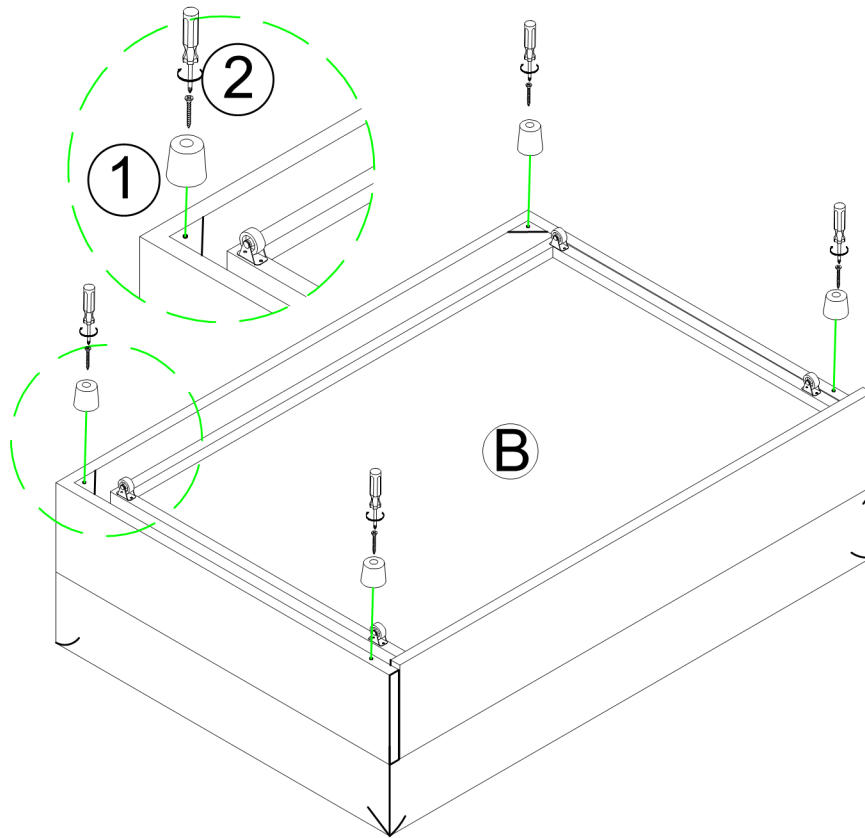


STEP 2: Screw up the rotating wheel (4) into pop-up sleeper seat (B)

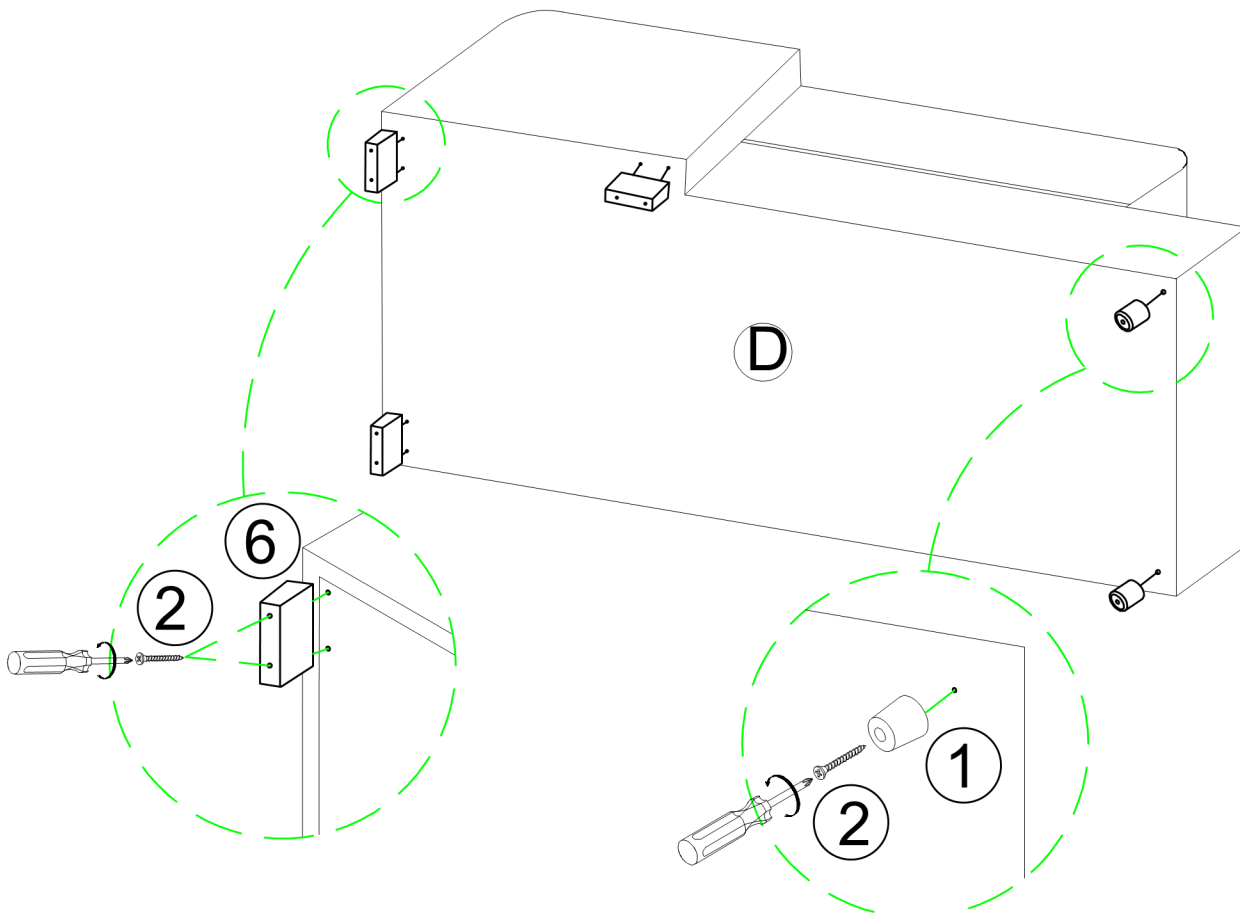


ASSEMBLY INSTRUCTION

STEP 3: Screw up the round leg (1) into pop-up sleeper seat (B)

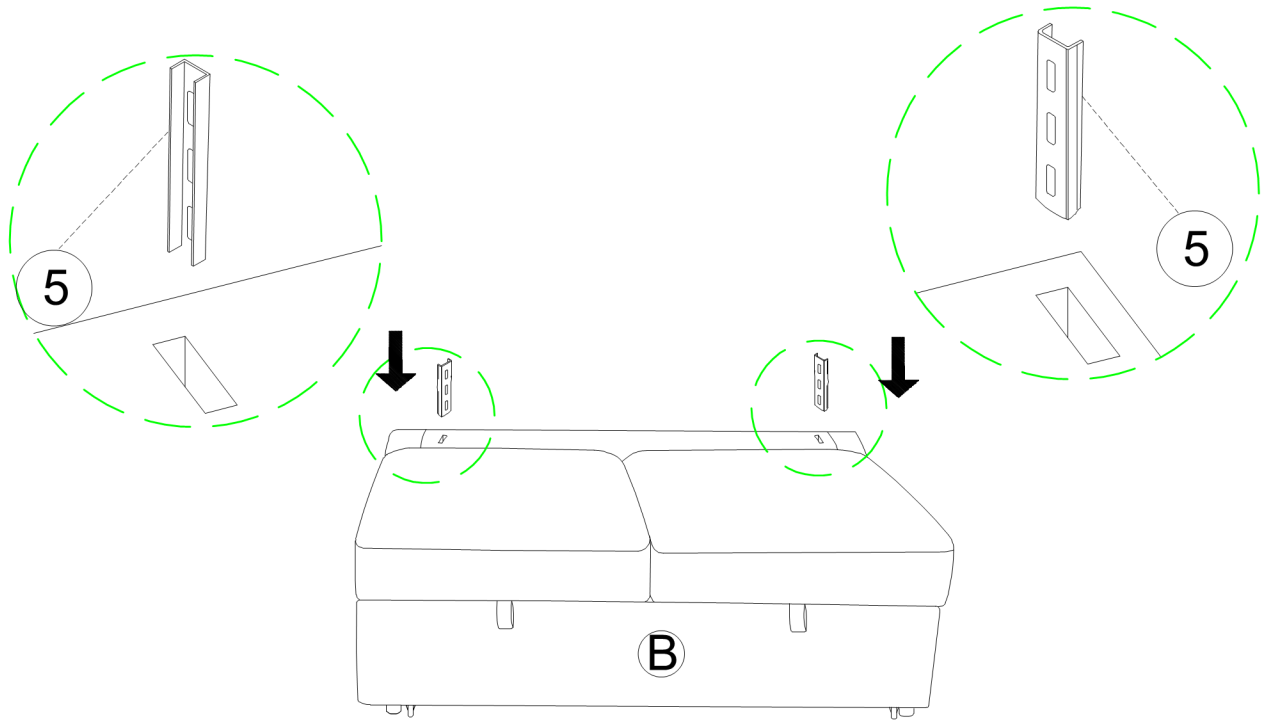


STEP 4: Screw up the rectangle leg (6), round leg (1) into chaise seat (D)

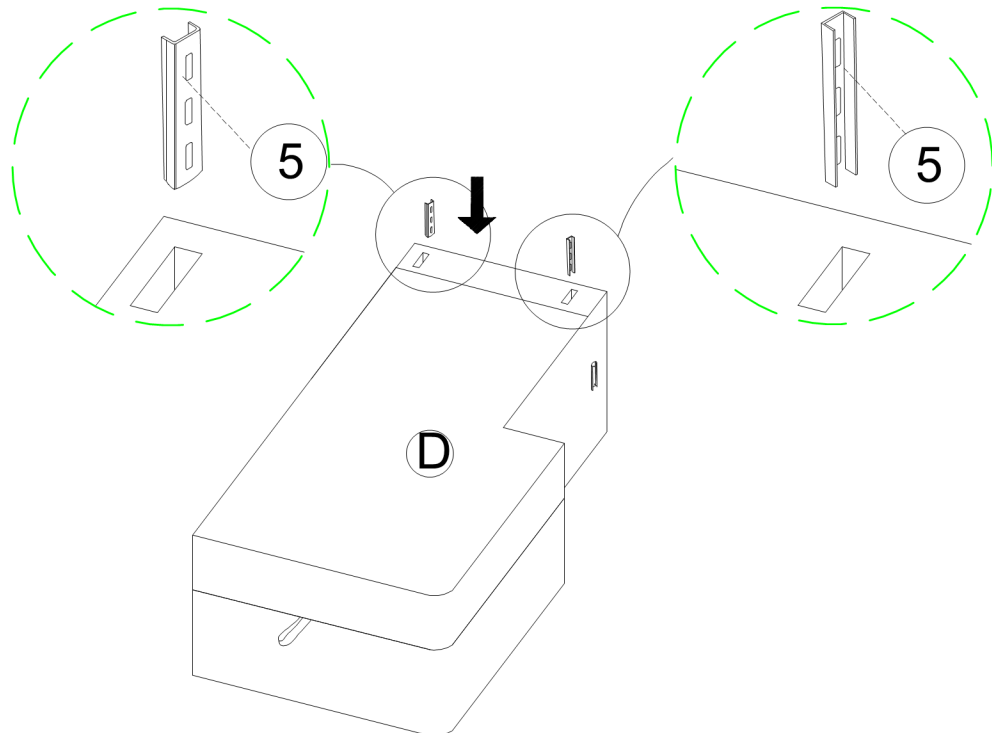


ASSEMBLY INSTRUCTION

STEP 5: Slide pop-up sleeper seat (B) with male bracket(5)

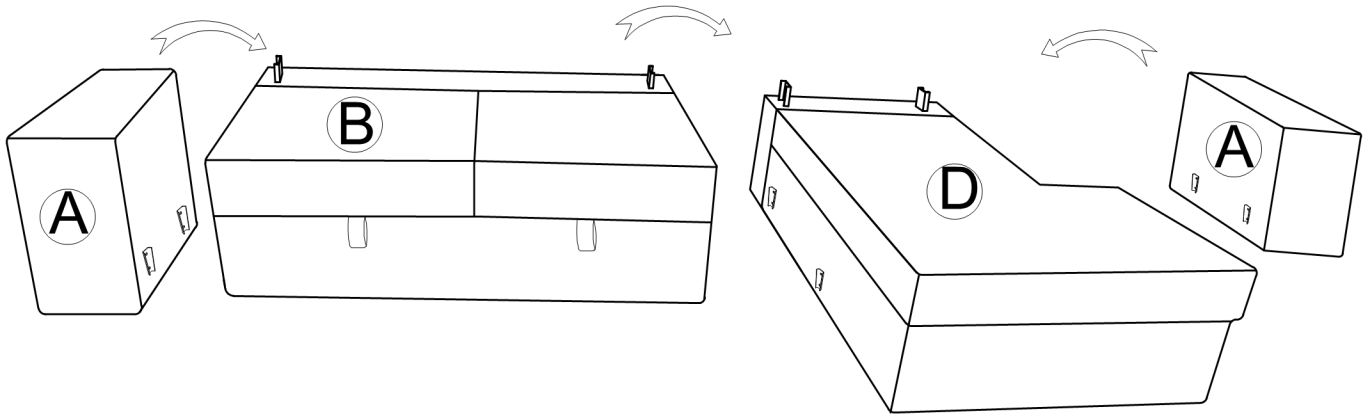


STEP 6: Slide chaise seat (D) with male bracket(5)

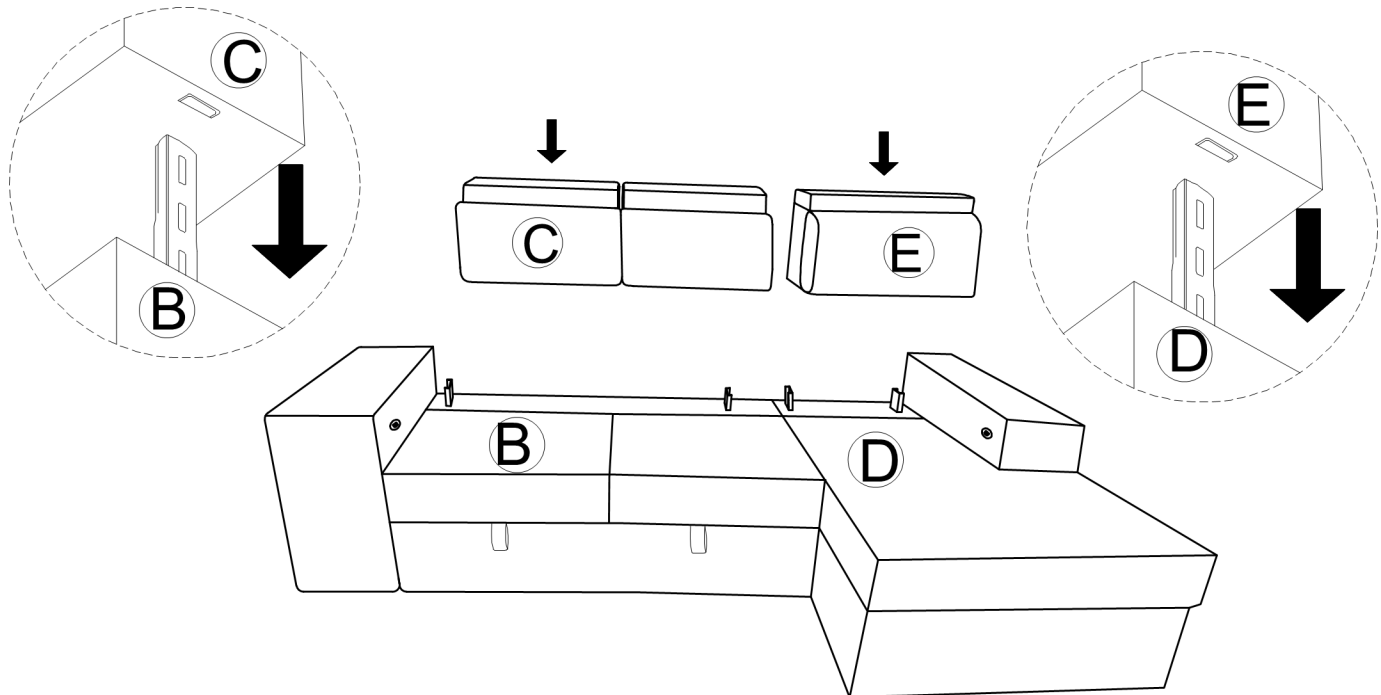


ASSEMBLY INSTRUCTION

STEP 7 : Slide chaise seat (B) chaise seat (C), RSF arm (A) with chaise seat (D),LSF arm(A) with pop-up sleeper seat (B)

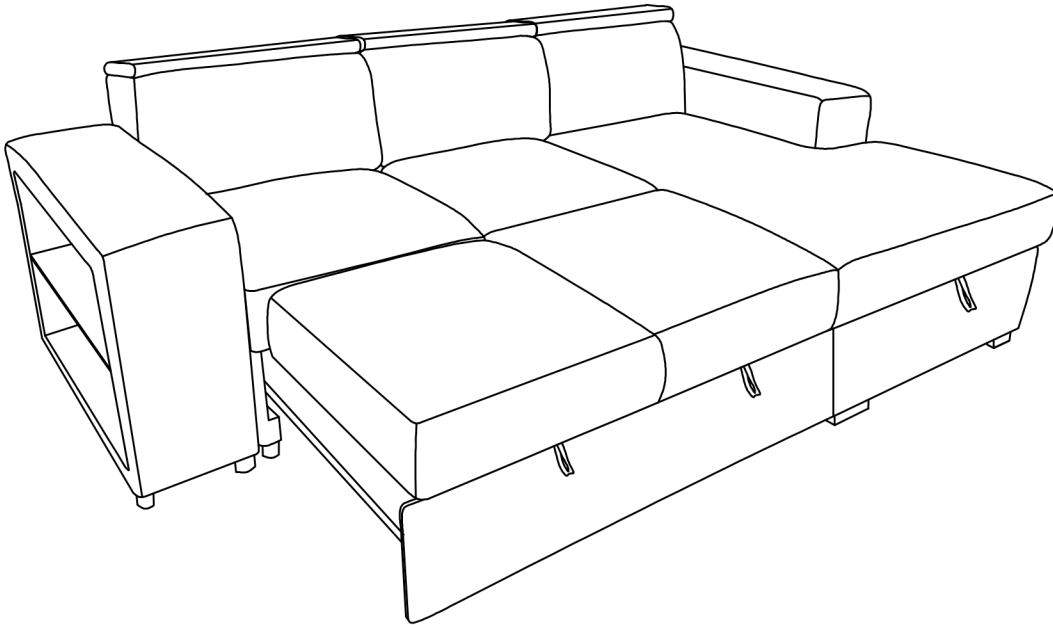


STEP 8 : Slide back rest (C) and pop-up sleeper seat (B),slide back rest (E) and chaise seat (D)

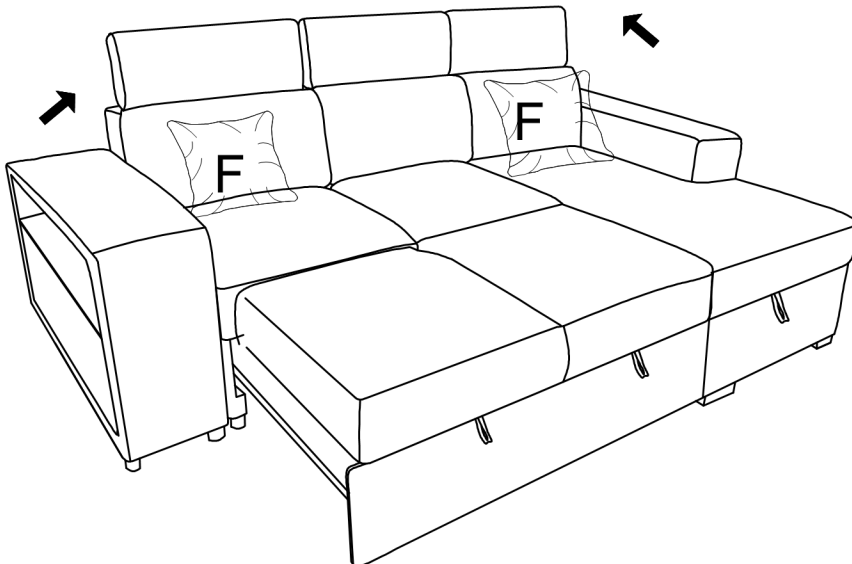


ASSEMBLY INSTRUCTION

STEP 9 : finally we finish set-up this sofa



STEP 10 : headrest upward adjustment, console storage open



ASSEMBLY COMPLETED



Please ensure the furniture rests on an even and flat surface. If the product wobbles or feels loose, double-check all bolts and/or screws are properly tightened and secured.

✓ Keep this handy!

Please retain this instruction manual and any order-related information for future reference.

✓ Lift, don't drag!

To avoid damage to product please always LIFT the product when transporting or adjusting the placement.

This product is intended for RESIDENTIAL USE ONLY and not for commercial use.