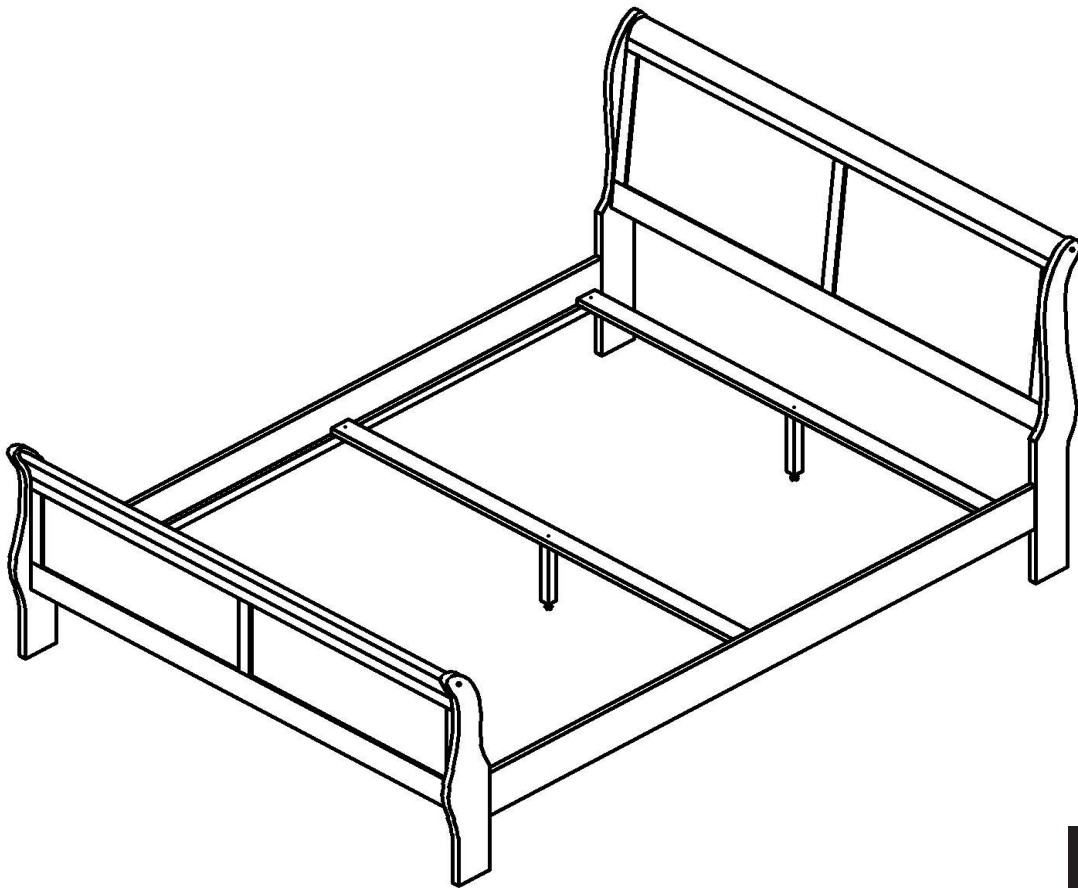


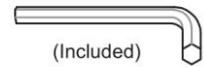
# ASSEMBLY INSTRUCTIONS



## TOOLS REQUIRED



Screwdriver  
( Not included)



(Included)  
Allen Wrench



2 - People

## ASSEMBLY RATING



EASY

► D.FFICULT

The Assembly Rating is a 5-point system showing the level of effort needed to assemble a specific product.



## **CHECK BEFORE STARTING**

### **Are you missing anything?**

Double-check all parts, hardware and accessories listed are all accounted for.

### **Check out our Quick Tips!**

We recommend reviewing the pre-assembly handouts. Even experts need a refresher now and then!

### **Should we send any replacements?**

Are there any irregularities or flaws in the parts? We can send replacements!

### **Prep Time!**

Please review the assembly instructions and all diagrams prior to assembling.

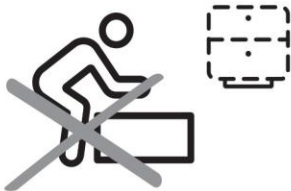
# PRE ASSEMBLY INTRODUCTION

We understand building ready-to-assemble furniture can be a challenging experience for some. To help avoid confusion, we have provided some helpful tips that may speed up the process.



## Teamwork

ALWAYS have at least two people to help with transporting and assembling the product to avoid potential injury and/or damage.



## Suitable Location

Assembling near the area of the intended location is highly recommended.



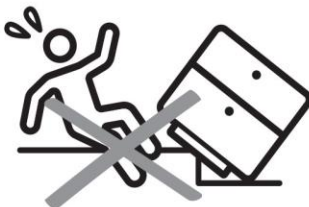
## Sufficient Space

Make sure you have enough space to move around during the assembly.



## Avoid Scratches

Use cardboard, blankets or a carpeted area while assembling furniture to prevent to prevent scratches and damages.



## Flat Surface

Make sure the furniture rests on a flat and level surface with each leg evenly touching the floor.

# ASSEMBLY AND CARE ADVICE



**FAILURE TO FOLLOW THE GUIDELINES BELOW MAY RESULT IN INJURY AND/OR PROPERTY DAMAGE.**



Position each part correctly and insert screws or bolts into their respective holes.



Turn clockwise to tighten and only tighten when step is completed or when instructed to do so.



Use the appropriate hand tools or power tools for assembly. Select steps, such as tightening screws and/or bolts, may require hand tools to avoid causing damage during assembly.



Save the instructions and store any supplied tools for later maintenance.



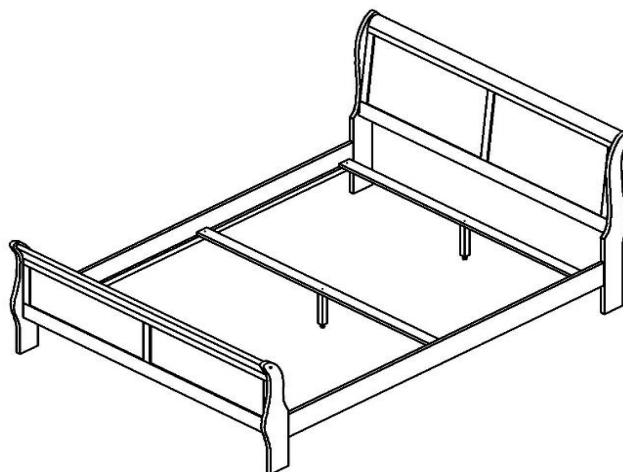
After two weeks, check and tighten any loose hardware and repeat again every six months thereafter.

**IT IS THE USER'S RESPONSIBILITY TO MAINTAIN THE FURNITURE. THE HARDWARE MAY LOOSEN OVER TIME AND MAY CAUSE THE FURNITURE TO BE WOBBLY AND UNABLE TO SUPPORT ITS INTENDED WEIGHT CAPACITY. THIS MAY LEAD TO COLLAPSE AND MAY CAUSE SERIOUS INJURY.**

# BED

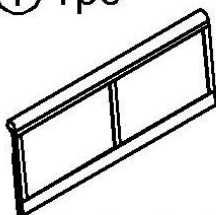


- Please keep instructions for future reference.
- Check the quantity and irregularity of parts and hardware before you start.



## PARTS

① 1pc



HEADBOARD

② 1pc



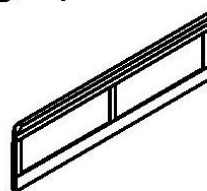
HB - LEG LEFT

③ 1pc



HB - LEG RIGHT

④ 1pc



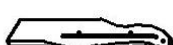
FOOTBOARD

⑤ 1pc



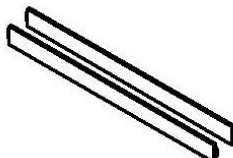
FB - LEG RIGHT

⑥ 1pc



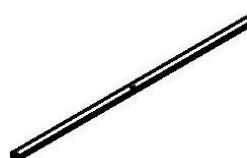
FB - LEG LEFT

⑦ 2pcs



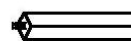
SIDE RAIL

⑧ 3pcs



SLAT  
1540 x 42 x 17mm

⑨ 3pcs



VERTICAL LEG  
200 x 29 x 29mm

## HARDWARE

### HARDWARE INSIDE HEADBOARD / FOOTBOARD

Ⓐ 12pcs



Bolt M6x35mm

Ⓑ 12pcs



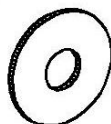
Lock Washer

Ⓒ 4pcs



Flat Washer  
(Small)

Ⓓ 8pcs



Flat Washer  
(Big)

Ⓔ 1pc



Allen Key M4

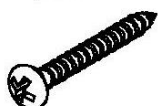
Ⓕ 4pcs



Wood Button

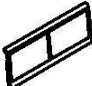















### HARDWARE INSIDE SIDE RAIL

Ⓖ 6pcs



Panhead Screw  
M4x30mm

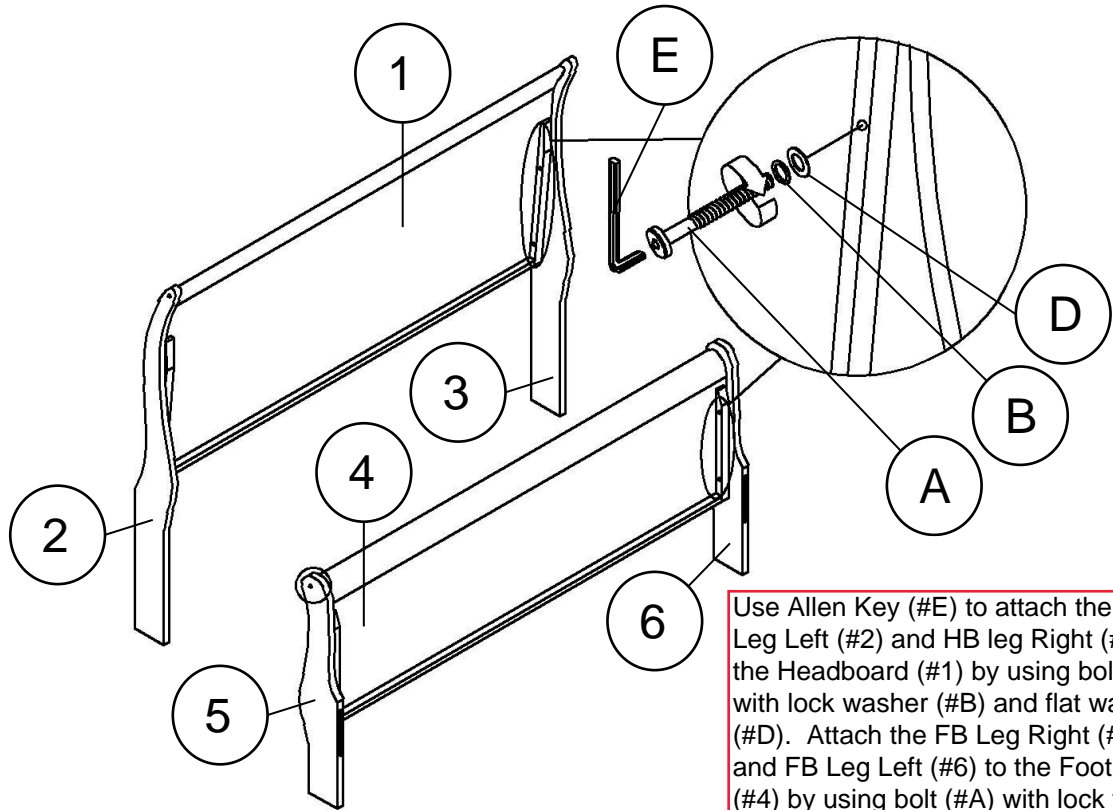
## packed in 2 cartons

CARTON	DESCRIPTION	PART	HARDWARE
	KING HEADBOARD	①  x1	 A x 12 PCS  B x 12 PCS  C x 4 PCS  D x 8 PCS  E x 1 PC  F x 4 PCS
	KING HB - LEG LEFT	②  x1	
	KING HB - LEG RIGHT	③  x1	
	KING FOOTBOARD	④  x1	
	KING FB - LEG LEFT	⑤  x1	
	KING FB - LEG RIGHT	⑥  x1	
	KING SIDE RAIL	⑦  x2	 G x 6 PCS
	KING SLAT	⑧  x3	
	KING VERTICAL	⑨  x3	

# ASSEMBLY INSTRUCTIONS

## 1

- Part ① 1pc
- Part ② 1pc
- Part ③ 1pc
- Part ④ 1pc
- Part ⑤ 1pc
- Part ⑥ 1pc
- Hardware ① 8pcs
- Hardware ② 8pcs
- Hardware ③ 8pcs
- Hardware ④ 1pc

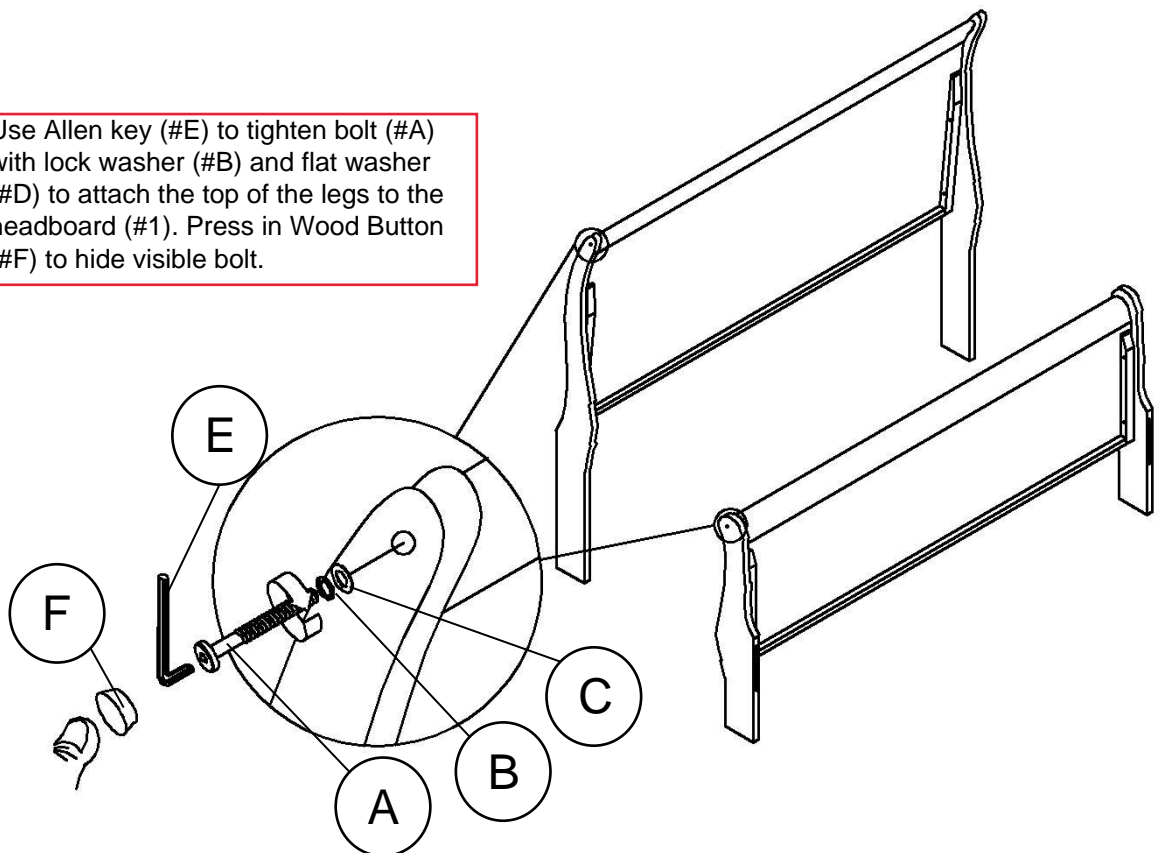


Use Allen Key (#E) to attach the HB Leg Left (#2) and HB leg Right (#3) to the Headboard (#1) by using bolt (#A) with lock washer (#B) and flat washer (#D). Attach the FB Leg Right (#5) and FB Leg Left (#6) to the Footboard (#4) by using bolt (#A) with lock washer (#B) and flat washer (#D).

## 2

- Hardware ① 4pcs
- Hardware ② 4pcs
- Hardware ③ 4pcs
- Hardware ④ 1pc
- Hardware ⑤ 4pcs

Use Allen key (#E) to tighten bolt (#A) with lock washer (#B) and flat washer (#D) to attach the top of the legs to the headboard (#1). Press in Wood Button (#F) to hide visible bolt.

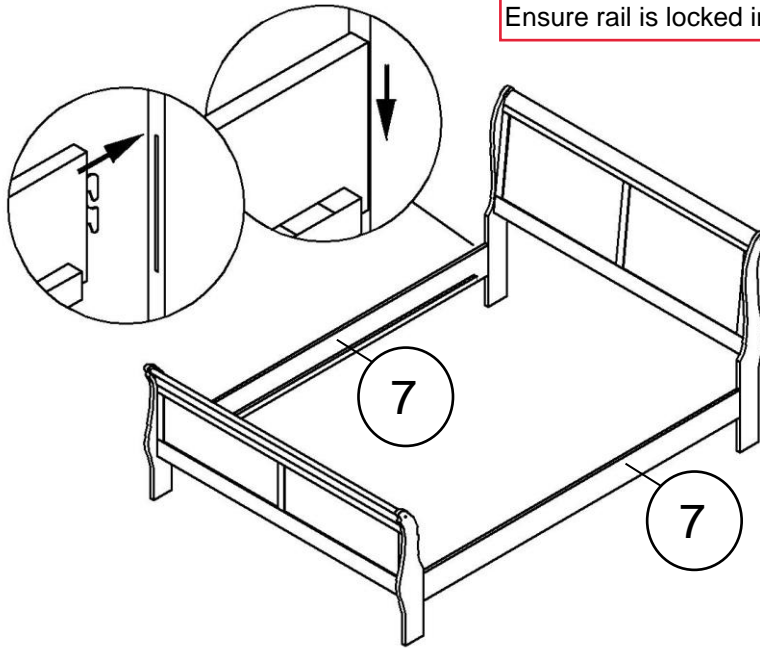


# ASSEMBLY INSTRUCTIONS

## 3

Part 7 2pcs

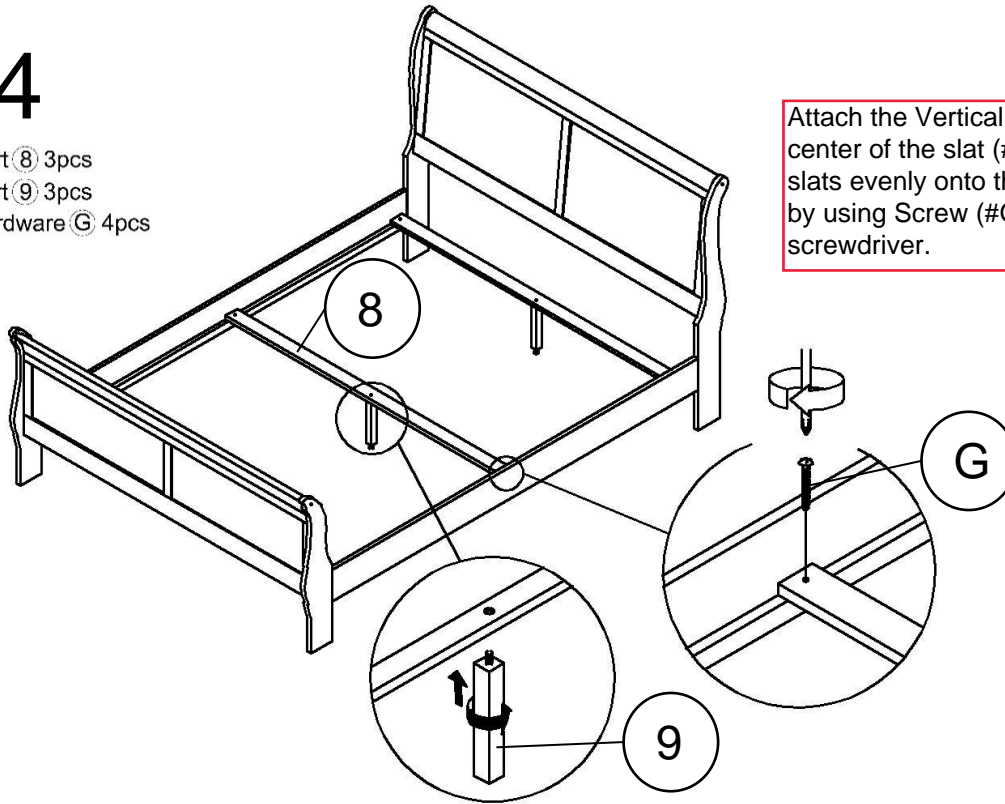
Hook the ends of Side rail (#7) to the headboard and footboard. Ensure rail is locked in.



## 4

Part 8 3pcs  
Part 9 3pcs  
Hardware G 4pcs

Attach the Vertical leg (#9) to the center of the slat (#8). Then spread slats evenly onto the rails and secure by using Screw (#G). Tighten with screwdriver.



### ASSEMBLY COMPLETED



Please ensure the furniture rests on an even and flat surface. If the product wobbles or feels loose, double-check all bolts and/or screws are properly tightened and secured.

#### Keep this handy!

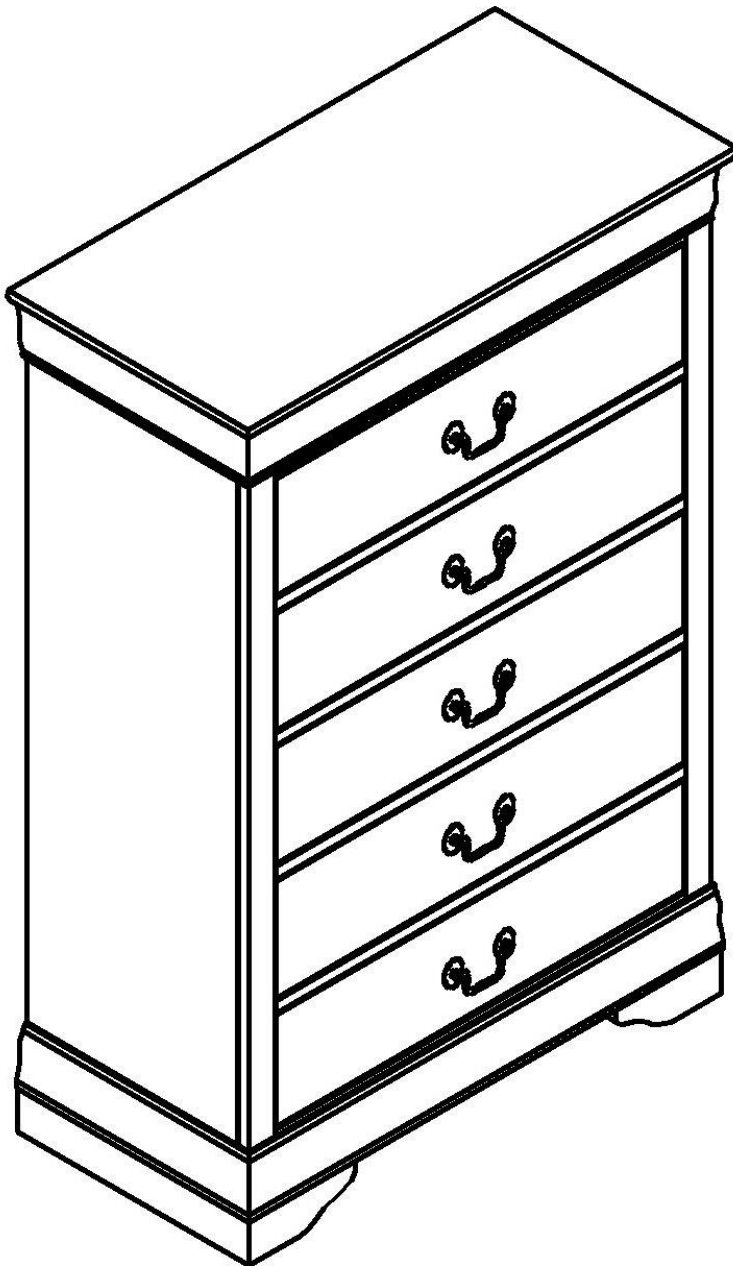
Please retain this instruction manual and any order-related information for future reference.

#### Lift, don't drag!

To avoid damage to product please always LIFT the product when transporting or adjusting the placement.

This product is intended for RESIDENTIAL USE ONLY and not commercial use.

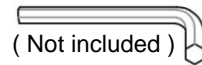
# ASSEMBLY INSTRUCTIONS



## TOOLS REQUIRED



Screwdriver  
( Not included )



( Not included )

Allen Wrench



2 - People

## ASSEMBLY RATING



EASY

► D.FFICULT

The Assembly Rating is a 5-point system showing the level of effort needed to assemble a specific product.



## **CHECK BEFORE STARTING**

### **Are you missing anything?**

Double-check all parts, hardware and accessories listed are all accounted for.

### **Check out our Quick Tips!**

We recommend reviewing the pre-assembly handouts. Even experts need a refresher now and then!

### **Should we send any replacements?**

Are there any irregularities or flaws in the parts? We can send replacements!

### **Prep Time!**

Please review the assembly instructions and all diagrams prior to assembling.

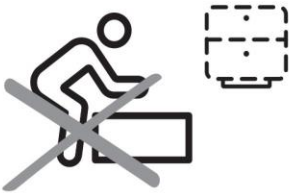
# PRE ASSEMBLY INTRODUCTION

We understand building ready-to-assemble furniture can be a challenging experience for some. To help avoid confusion, we have provided some helpful tips that may speed up the process.



## Teamwork

ALWAYS have at least two people to help with transporting and assembling the product to avoid potential injury and/or damage.



## Suitable Location

Assembling near the area of the intended location is highly recommended.



## Sufficient Space

Make sure you have enough space to move around during the assembly.



## Avoid Scratches

Use cardboard, blankets or a carpeted area while assembling furniture to prevent to prevent scratches and damages.



## Flat Surface

Make sure the furniture rests on a flat and level surface with each leg evenly touching the floor.

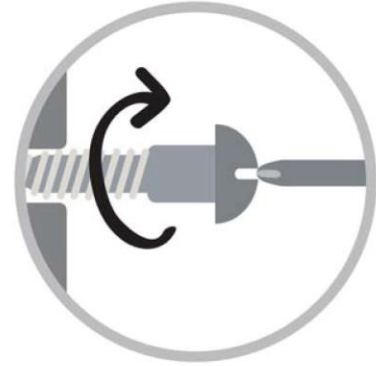
# ASSEMBLY AND CARE ADVICE



**FAILURE TO FOLLOW THE GUIDELINES BELOW MAY RESULT IN INJURY AND/OR PROPERTY DAMAGE.**



Position each part correctly and insert screws or bolts into their respective holes.



Turn clockwise to tighten and only tighten when step is completed or when instructed to do so.



Use the appropriate hand tools or power tools for assembly. Select steps, such as tightening screws and/or bolts, may require hand tools to avoid causing damage during assembly.



Save the instructions and store any supplied tools for later maintenance.



After two weeks, check and tighten any loose hardware and repeat again every six months thereafter.

**IT IS THE USER'S RESPONSIBILITY TO MAINTAIN THE FURNITURE. THE HARDWARE MAY LOOSEN OVER TIME AND MAY CAUSE THE FURNITURE TO BE WOBBLY AND UNABLE TO SUPPORT ITS INTENDED WEIGHT CAPACITY. THIS MAY LEAD TO COLLAPSE AND MAY CAUSE SERIOUS INJURY.**

# CHEST

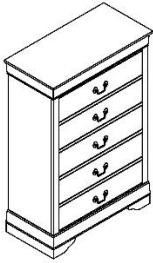


- Please keep instructions for future reference.
- Check the quantity and irregularity of parts and hardware before you start.



## PARTS

① 1pc



CHEST

## HARDWARE

### HARDWARE INSIDE CHEST

Ⓐ 1pc

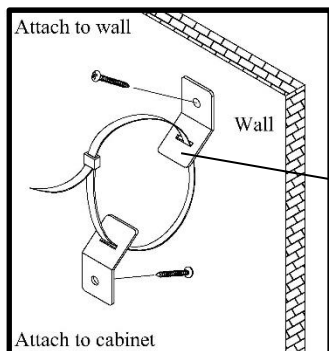


TIP RESTRAINT

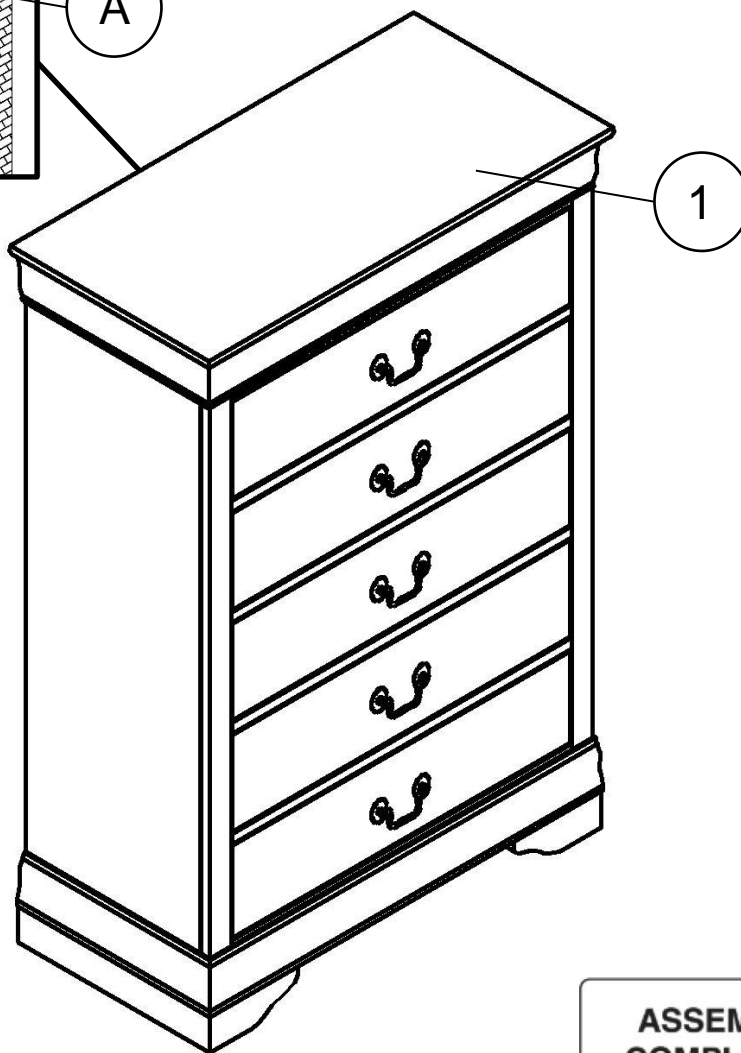
# ASSEMBLY INSTRUCTIONS

1

Part ① 1pc  
Hardware ② 1pc



Use the tip resistant kit to mount Back of Chest(#1) to the wall.



## ASSEMBLY COMPLETED



Please ensure the furniture rests on an even and flat surface. If the product wobbles or feels loose, double-check all bolts and/or screws are properly tightened and secured.



### Keep this handy!

Please retain this instruction manual and any order-related information for future reference.

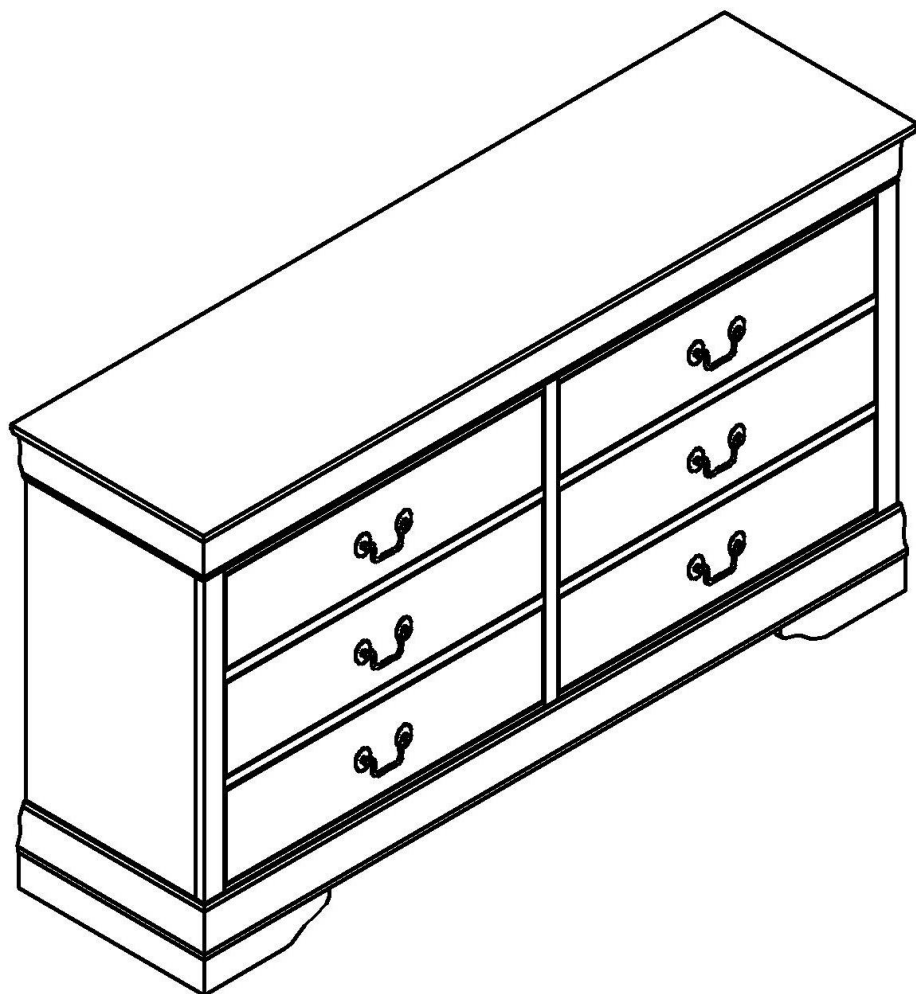


### Lift, don't drag!

To avoid damage to product please always LIFT the product when transporting or adjusting the placement.

This product is intended for RESIDENTIAL USE ONLY and not commercial use.

# ASSEMBLY INSTRUCTIONS

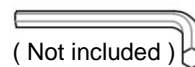


VERSION# 24-04-23

## TOOLS REQUIRED



Screwdriver  
( Not included )



( Not included )  
Allen Wrench



2 - People

## ASSEMBLY RATING



EASY

▶ DIFFICULT

The Assembly Rating is a 5-point system showing the level of effort needed to assemble a specific product.



## **CHECK BEFORE STARTING**

### **Are you missing anything?**

Double-check all parts, hardware and accessories listed are all accounted for.

### **Check out our Quick Tips!**

We recommend reviewing the pre-assembly handouts. Even experts need a refresher now and then!

### **Should we send any replacements?**

Are there any irregularities or flaws in the parts? We can send replacements!

### **Prep Time!**

Please review the assembly instructions and all diagrams prior to assembling.

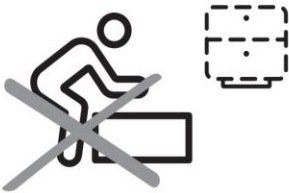
# PRE ASSEMBLY INTRODUCTION

We understand building ready-to-assemble furniture can be a challenging experience for some. To help avoid confusion, we have provided some helpful tips that may speed up the process.



## Teamwork

ALWAYS have at least two people to help with transporting and assembling the product to avoid potential injury and/or damage.



## Suitable Location

Assembling near the area of the intended location is highly recommended.



## Sufficient Space

Make sure you have enough space to move around during the assembly.



## Avoid Scratches

Use cardboard, blankets or a carpeted area while assembling furniture to prevent to prevent scratches and damages.



## Flat Surface

Make sure the furniture rests on a flat and level surface with each leg evenly touching the floor.

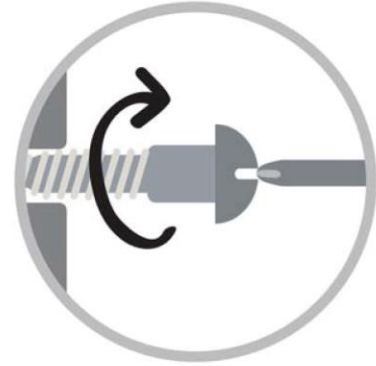
# ASSEMBLY AND CARE ADVICE



**FAILURE TO FOLLOW THE GUIDELINES BELOW MAY RESULT IN INJURY AND/OR PROPERTY DAMAGE.**



Position each part correctly and insert screws or bolts into their respective holes.



Turn clockwise to tighten and only tighten when step is completed or when instructed to do so.



Use the appropriate hand tools or power tools for assembly. Select steps, such as tightening screws and/or bolts, may require hand tools to avoid causing damage during assembly.



Save the instructions and store any supplied tools for later maintenance.



After two weeks, check and tighten any loose hardware and repeat again every six months thereafter.

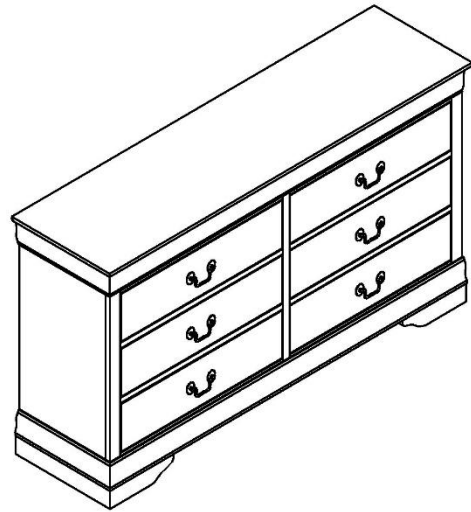
**IT IS THE USER'S RESPONSIBILITY TO MAINTAIN THE FURNITURE. THE HARDWARE MAY LOOSEN OVER TIME AND MAY CAUSE THE FURNITURE TO BE WOBBLY AND UNABLE TO SUPPORT ITS INTENDED WEIGHT CAPACITY. THIS MAY LEAD TO COLLAPSE AND MAY CAUSE SERIOUS INJURY.**

# DRESSER

---



- Please keep instructions for future reference.
- Check the quantity and irregularity of parts and hardware before you start.



## PARTS

① 1pc



DRESSER

## HARDWARE

### HARDWARE INSIDE DRESSER

Ⓐ 1pc



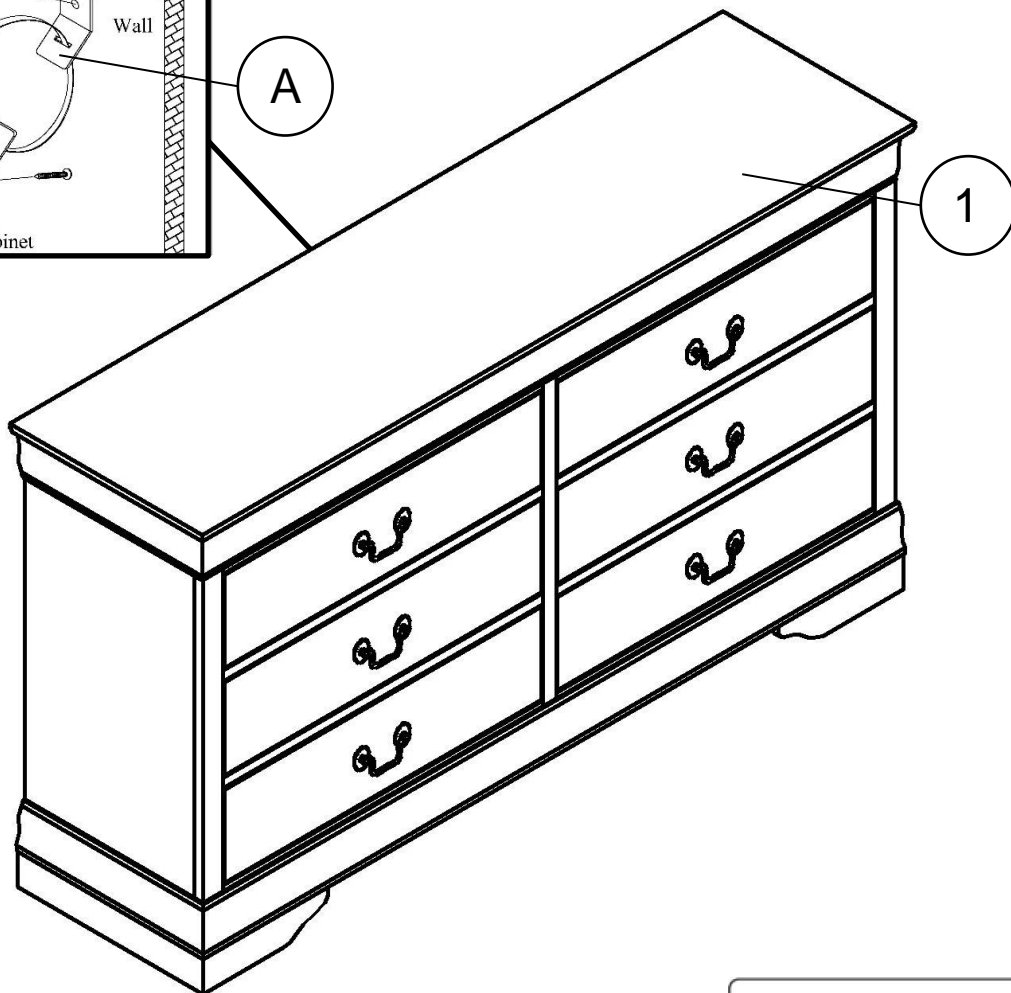
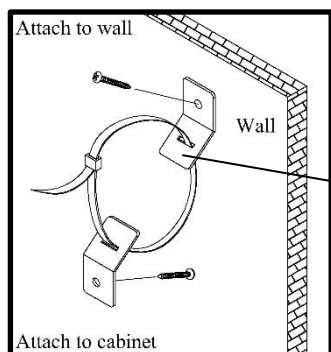
TIP RESTRAINT

# ASSEMBLY INSTRUCTIONS

# 1

Part ① 1pc  
Hardware ①A 1pc

Use the tip resistant kit to mount Back of Chest(#1) to the wall.



## ASSEMBLY COMPLETED



Please ensure the furniture rests on an even and flat surface. If the product wobbles or feels loose, double-check all bolts and/or screws are properly tightened and secured.



### Keep this handy!

Please retain this instruction manual and any order-related information for future reference.

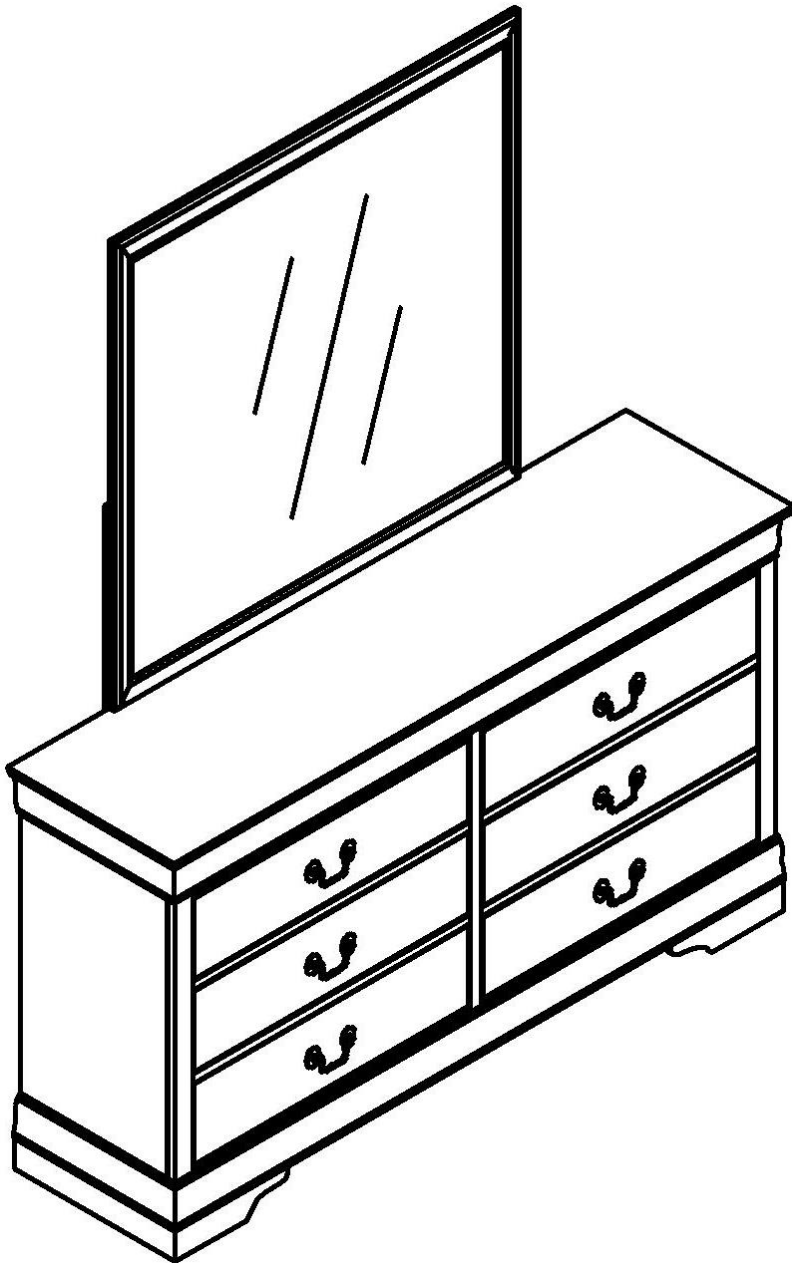


### Lift, don't drag!

To avoid damage to product please always LIFT the product when transporting or adjusting the placement.

This product is intended for RESIDENTIAL USE ONLY and not commercial use.

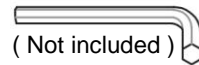
# ASSEMBLY INSTRUCTIONS



## TOOLS REQUIRED



Screwdriver  
( Not included )



( Not included )

Allen Wrench



2 - People

## ASSEMBLY RATING



EASY

► D.FFICULT

The Assembly Rating is a 5-point system showing the level of effort needed to assemble a specific product.



## **CHECK BEFORE STARTING**

### **Are you missing anything?**

Double-check all parts, hardware and accessories listed are all accounted for.

### **Check out our Quick Tips!**

We recommend reviewing the pre-assembly handouts. Even experts need a refresher now and then!

### **Should we send any replacements?**

Are there any irregularities or flaws in the parts? We can send replacements!

### **Prep Time!**

Please review the assembly instructions and all diagrams prior to assembling.

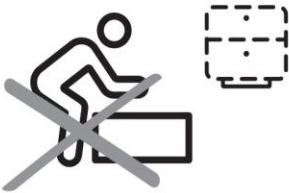
# PRE ASSEMBLY INTRODUCTION

We understand building ready-to-assemble furniture can be a challenging experience for some. To help avoid confusion, we have provided some helpful tips that may speed up the process.



## Teamwork

ALWAYS have at least two people to help with transporting and assembling the product to avoid potential injury and/or damage.



## Suitable Location

Assembling near the area of the intended location is highly recommended.



## Sufficient Space

Make sure you have enough space to move around during the assembly.



## Avoid Scratches

Use cardboard, blankets or a carpeted area while assembling furniture to prevent to prevent scratches and damages.



## Flat Surface

Make sure the furniture rests on a flat and level surface with each leg evenly touching the floor.

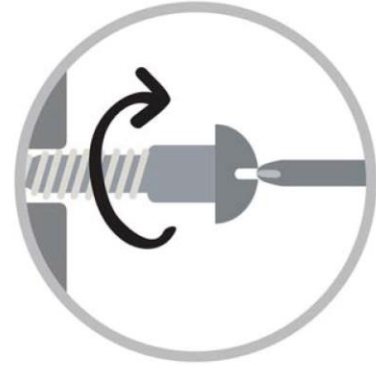
# ASSEMBLY AND CARE ADVICE



**FAILURE TO FOLLOW THE GUIDELINES BELOW MAY RESULT IN INJURY AND/OR PROPERTY DAMAGE.**



Position each part correctly and insert screws or bolts into their respective holes.



Turn clockwise to tighten and only tighten when step is completed or when instructed to do so.



Use the appropriate hand tools or power tools for assembly. Select steps, such as tightening screws and/or bolts, may require hand tools to avoid causing damage during assembly.



Save the instructions and store any supplied tools for later maintenance.



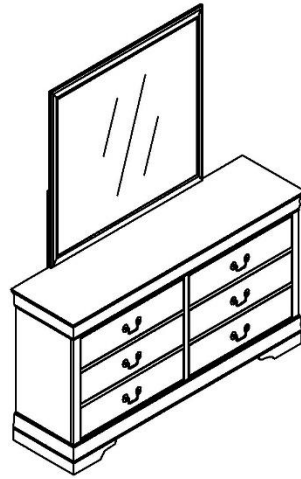
After two weeks, check and tighten any loose hardware and repeat again every six months thereafter.

**IT IS THE USER'S RESPONSIBILITY TO MAINTAIN THE FURNITURE. THE HARDWARE MAY LOOSEN OVER TIME AND MAY CAUSE THE FURNITURE TO BE WOBBLY AND UNABLE TO SUPPORT ITS INTENDED WEIGHT CAPACITY. THIS MAY LEAD TO COLLAPSE AND MAY CAUSE SERIOUS INJURY.**

# MIRROR

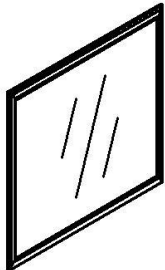


- Please keep instructions for future reference.
- Check the quantity and irregularity of parts and hardware before you start.



## PARTS

① 1pc



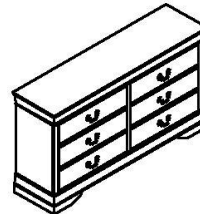
MIRROR

② 2pcs



MIRROR SUPPORT

③ 1pc

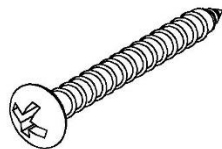


DRESSER

## HARDWARE



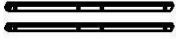

### HARDWARE INSIDE MIRROR

Ⓐ 8pcs



Panhead Screw  
M4x30mm

# assembly within 2 items

CARTON	DESCRIPTION	PART	HARDWARE
	MIRROR	① 	 A x 8 PCS
	MIRROR SUPPORT	② 	
I	DRESSER	③ 	

# ASSEMBLY INSTRUCTIONS

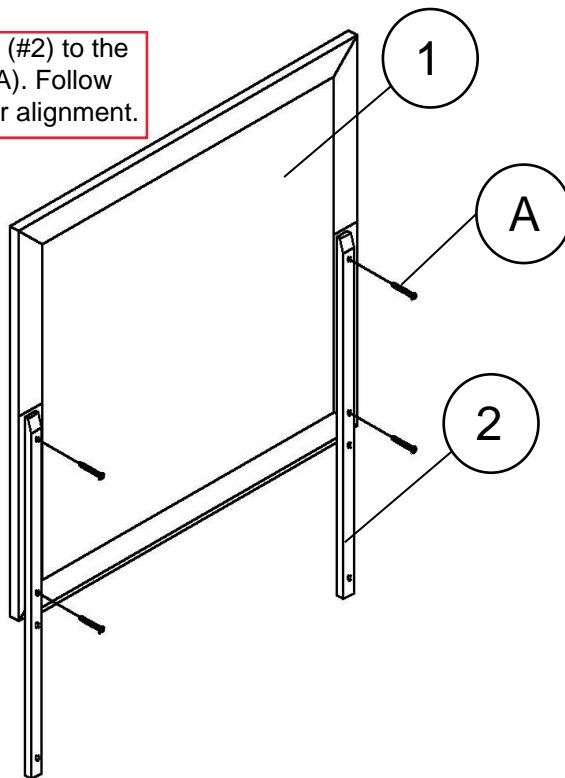
## 1

Align and attach the mirror support (#2) to the mirror (#1) by using the Screw (#A). Follow the line that has been provided for alignment.

Part ① 1pc

Part ② 2pcs

Hardware ① 4pcs

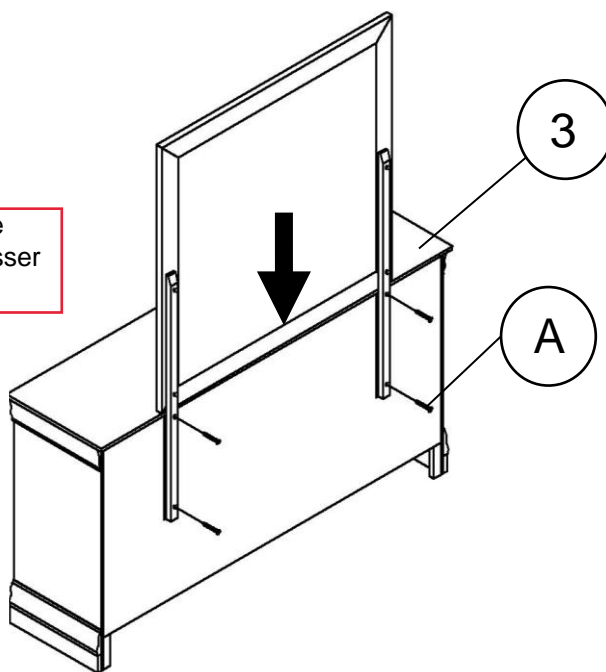


## 2

Part ③ 1pc

Hardware ① 4pcs

Attach the bottom holes of the mirror support (#2) to the dresser (#3) by using Screw (#A).



### ASSEMBLY COMPLETED



Please ensure the furniture rests on an even and flat surface. If the product wobbles or feels loose, double-check all bolts and/or screws are properly tightened and secured.

#### ✓ Keep this handy!

Please retain this instruction manual and any order-related information for future reference.

#### ✓ Lift, don't drag!

To avoid damage to product please always LIFT the product when transporting or adjusting the placement.

This product is intended for RESIDENTIAL USE ONLY and not commercial use.