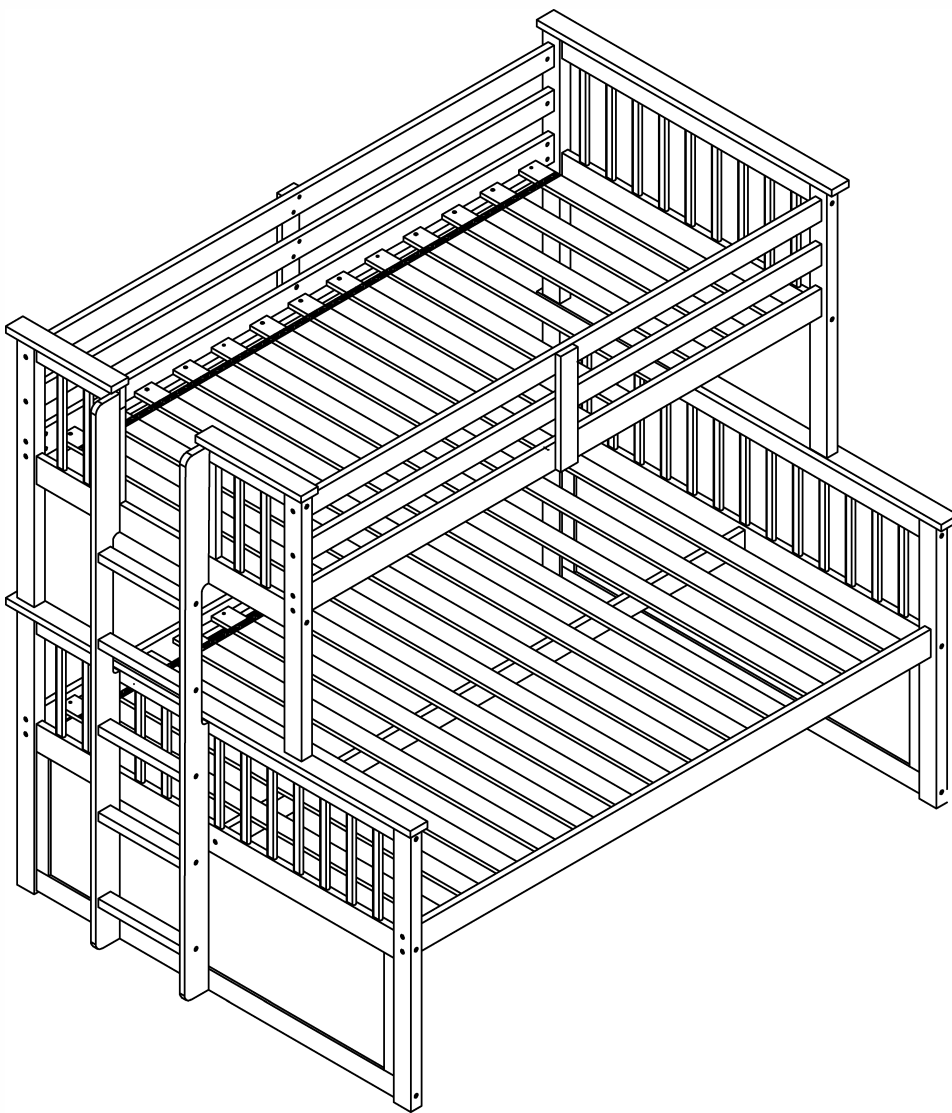


ASSEMBLY INSTRUCTIONS



TOOLS REQUIRED



Allen Wrench
(Included)



Phillips
Screwdriver
(Not Included)



2 - People
Recommended

ASSEMBLY RATING



EASY —————> DIFFICULT

The Assembly Rating is a 5-point system showing the level of effort needed to assemble a specific product.



CHECK BEFORE STARTING

Are you missing anything?

Double-check all parts, hardware and accessories listed are all accounted for.

Check out our Quick Tips!

We recommend reviewing the pre-assembly handouts. Even experts need a refresher now and then!

Should we send any replacements?

Are there any irregularities or flaws in the parts? We can send replacements!

Prep Time!

Please review the assembly instructions and all diagrams prior to assembling.

PRE ASSEMBLY INTRODUCTION

We understand building ready-to-assemble furniture can be a challenging experience for some. To help avoid confusion, we have provided some helpful tips that may speed up the process.



Teamwork

ALWAYS have at least two people to help with transporting and assembling the product to avoid potential injury and/or damage.



Suitable Location

Assembling near the area of the intended location is highly recommended.



Sufficient Space

Make sure you have enough space to move around during the assembly.



Avoid Scratches

Use cardboard, blankets or a carpeted area while assembling furniture to prevent to prevent scratches and damages.



Flat Surface

Make sure the furniture rests on a flat and level surface with each leg evenly touching the floor.

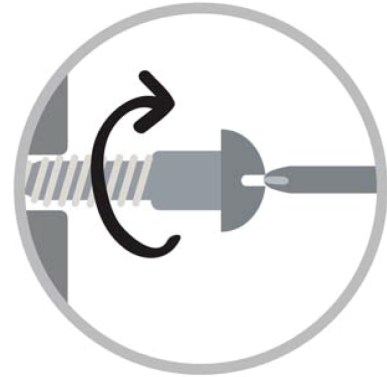
ASSEMBLY AND CARE ADVICE



FAILURE TO FOLLOW THE GUIDELINES BELOW MAY RESULT IN INJURY AND/OR PROPERTY DAMAGE.



Position each part correctly and insert screws or bolts into their respective holes.



Turn clockwise to tighten and only tighten when step is completed or when instructed to do so.



Use the appropriate hand tools or power tools for assembly. Select steps, such as tightening screws and/or bolts, may require hand tools to avoid causing damage during assembly.



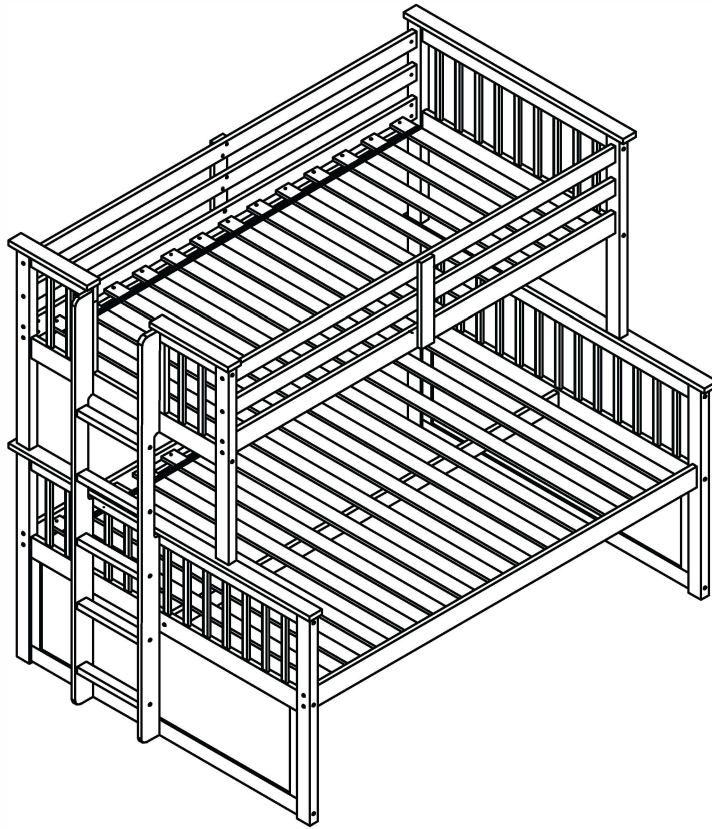
Save the instructions and store any supplied tools for later maintenance.



After two weeks, check and tighten any loose hardware and repeat again every six months thereafter.

IT IS THE USER'S RESPONSIBILITY TO MAINTAIN THE FURNITURE. THE HARDWARE MAY LOOSEN OVER TIME AND MAY CAUSE THE FURNITURE TO BE WOBBLY AND UNABLE TO SUPPORT ITS INTENDED WEIGHT CAPACITY. THIS MAY LEAD TO COLLAPSE AND MAY CAUSE SERIOUS INJURY.

ASSEMBLY INSTRUCTIONS



ASSEMBLY TIPS






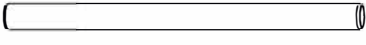




1. Remove hardware from box and sort by size.
2. Please check to see that all hardware and parts are present prior start of assembly.
3. Please follow attached instructions in the same sequence as numbered to assure fast and easy assembly.



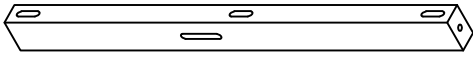
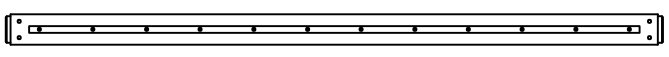



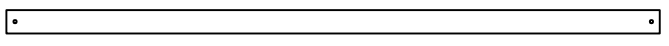

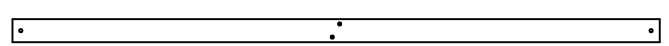
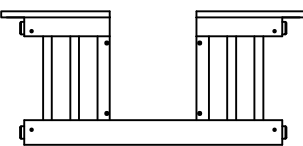
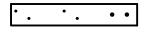
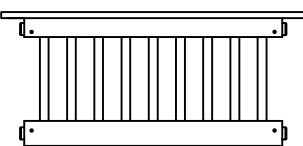
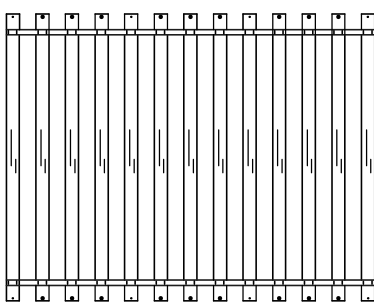
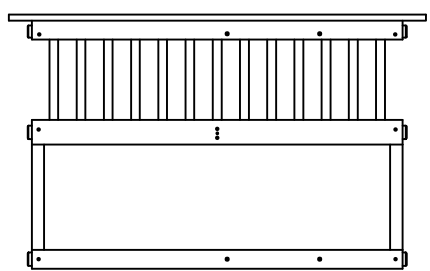
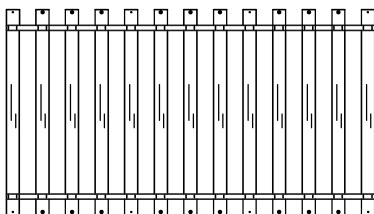
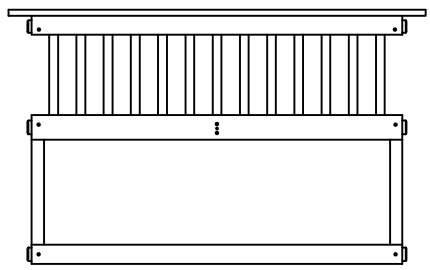
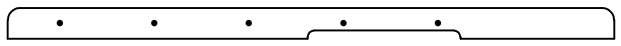
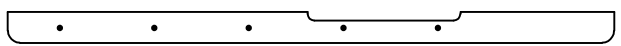
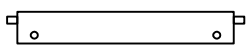
Warning !

1. Don't attempt to repair or modify parts that are broken or defective. Please contact the store immediately.
2. This product is for home use only and not intended for commercial establishments.

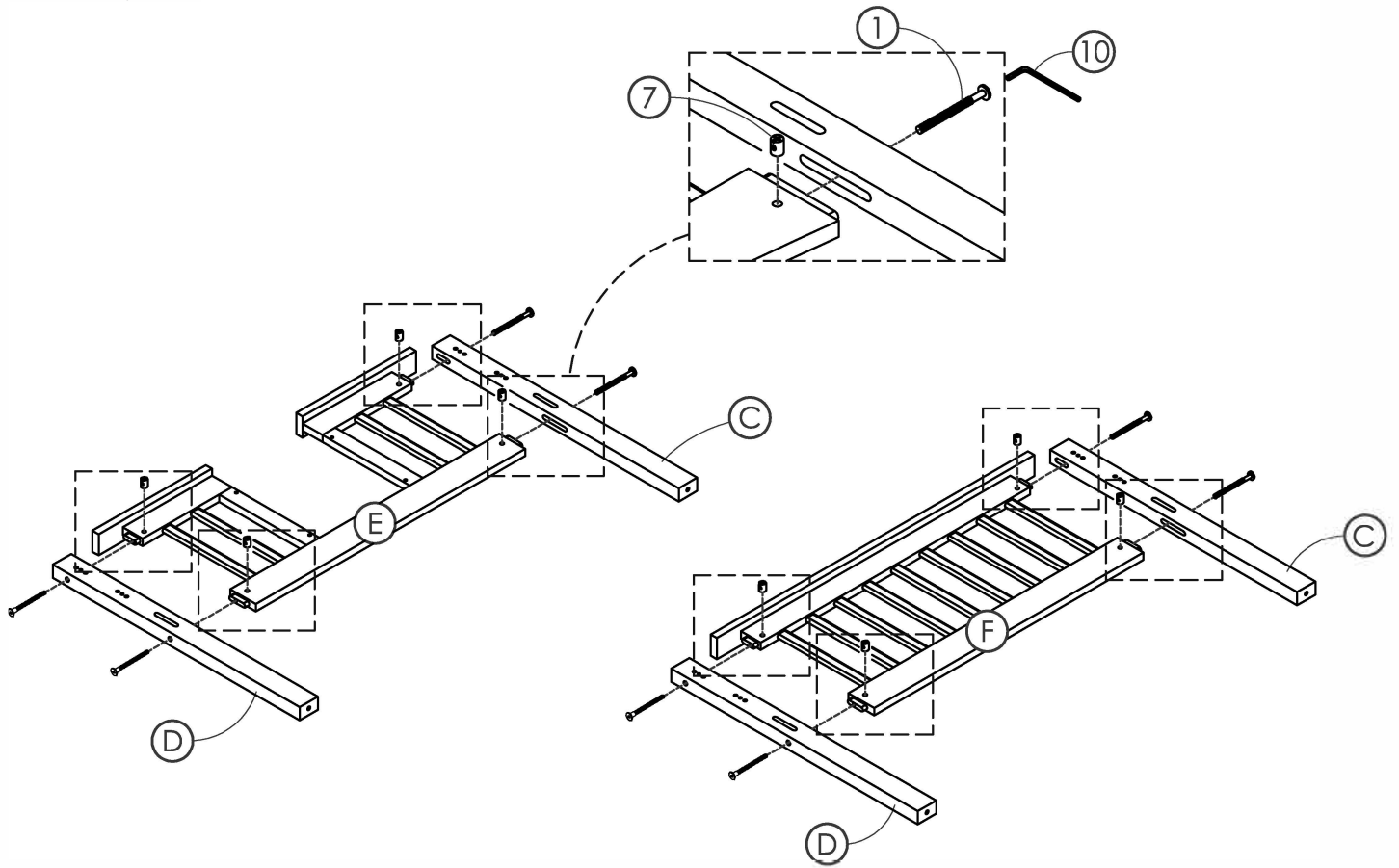
HARDWARE LIST

1	 JCBC M6 x 100mm	20 PCS	7	 BARREL NUT M6 x 13mm	56 PCS
2	 JCBC M6 x 80mm	24 PCS	8	 WOOD DOWEL Ø10 x 30mm	22 PCS
3	 JCBC M6 x 60mm	12 PCS	9	 METAL HOLLOW PIN Ø9.5 x 127mm	4 PCS
4	 JCBC M6 x 30mm	12 PCS	10	 ALLEN KEY M4	1 PC
5	 JCBC - W M6 x 28mm	16 PCS			
6	 WOOD SCREW 4.0 x 28mm	44 PCS			

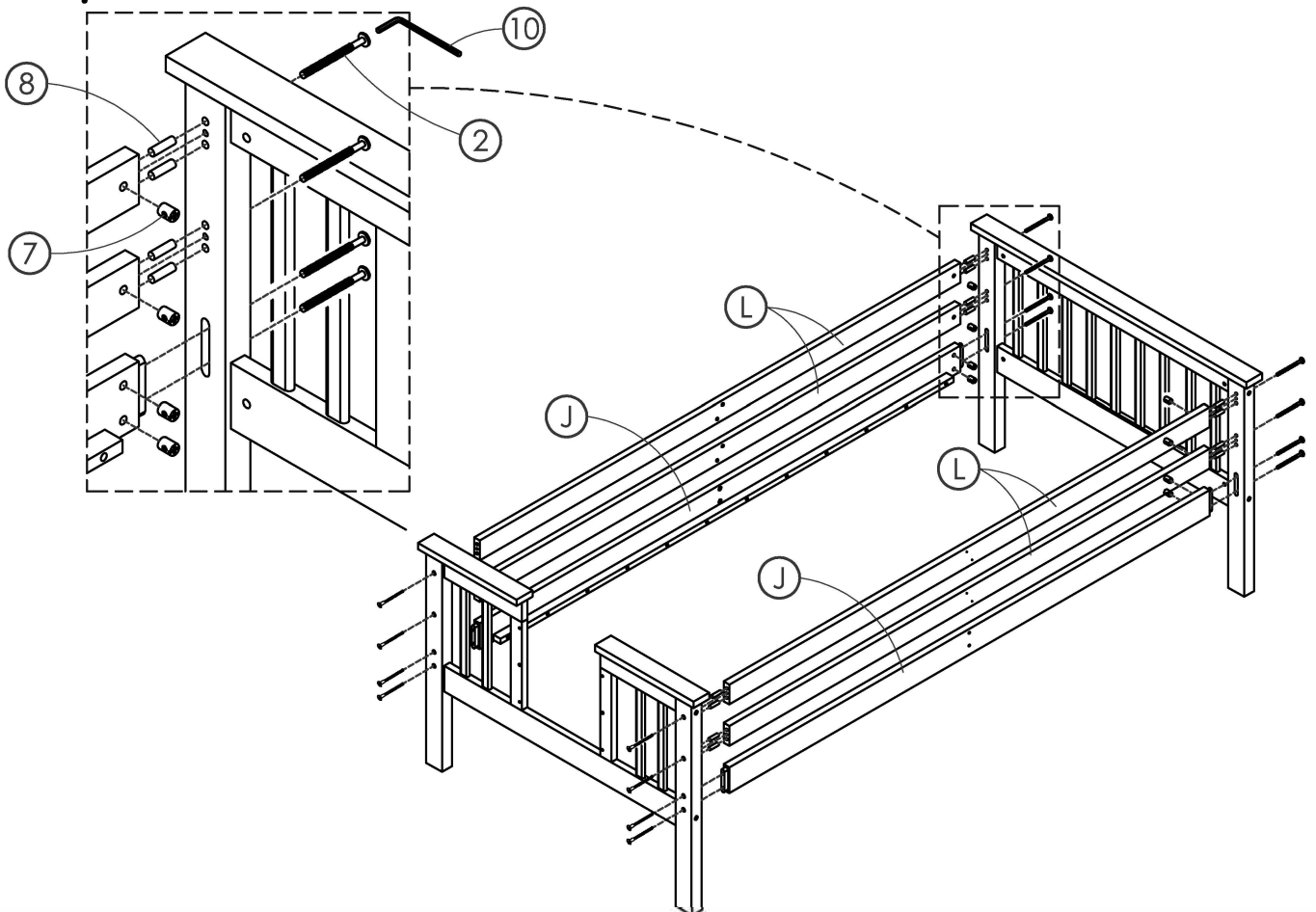
COMPONENT LIST

A	 <p>LOWER LEG (RIGHT FRONT & LEFT REAR)</p>	2 PCS	I	 <p>SIDE RAIL (LOWER FRONT & LOWER REAR)</p>	2 PCS
B	 <p>LOWER LEG (LEFT FRONT & RIGHT REAR)</p>	2 PCS	J	 <p>SIDE RAIL (UPPER FRONT & UPPER REAR)</p>	2 PCS
C	 <p>UPPER LEG (RIGHT FRONT & LEFT REAR)</p>	2 PCS	K	 <p>CENTER RAIL</p>	1 PC
D	 <p>UPPER LEG (LEFT FRONT & RIGHT REAR)</p>	2 PCS	L	 <p>FRONT & REAR GUARD RAIL</p>	4 PCS
E	 <p>UPPER FRAME (LEFT)</p>	1 PC	M	 <p>GUARD RAIL SUPPORT</p>	2 PCS
F	 <p>UPPER FRAME (RIGHT)</p>	1 PC	N	 <p>SLAT (LOWER)</p>	1 SET
G	 <p>LOWER FRAME (LEFT)</p>	1 PC	O	 <p>SLAT (UPPER)</p>	1 SET
H	 <p>LOWER FRAME (RIGHT)</p>	1 PC	P	 <p>LADDER LEG (RIGHT)</p>	1 PC
			Q	 <p>LADDER LEG (LEFT)</p>	1 PC
			R	 <p>LADDER STRETCHER</p>	5 PCS

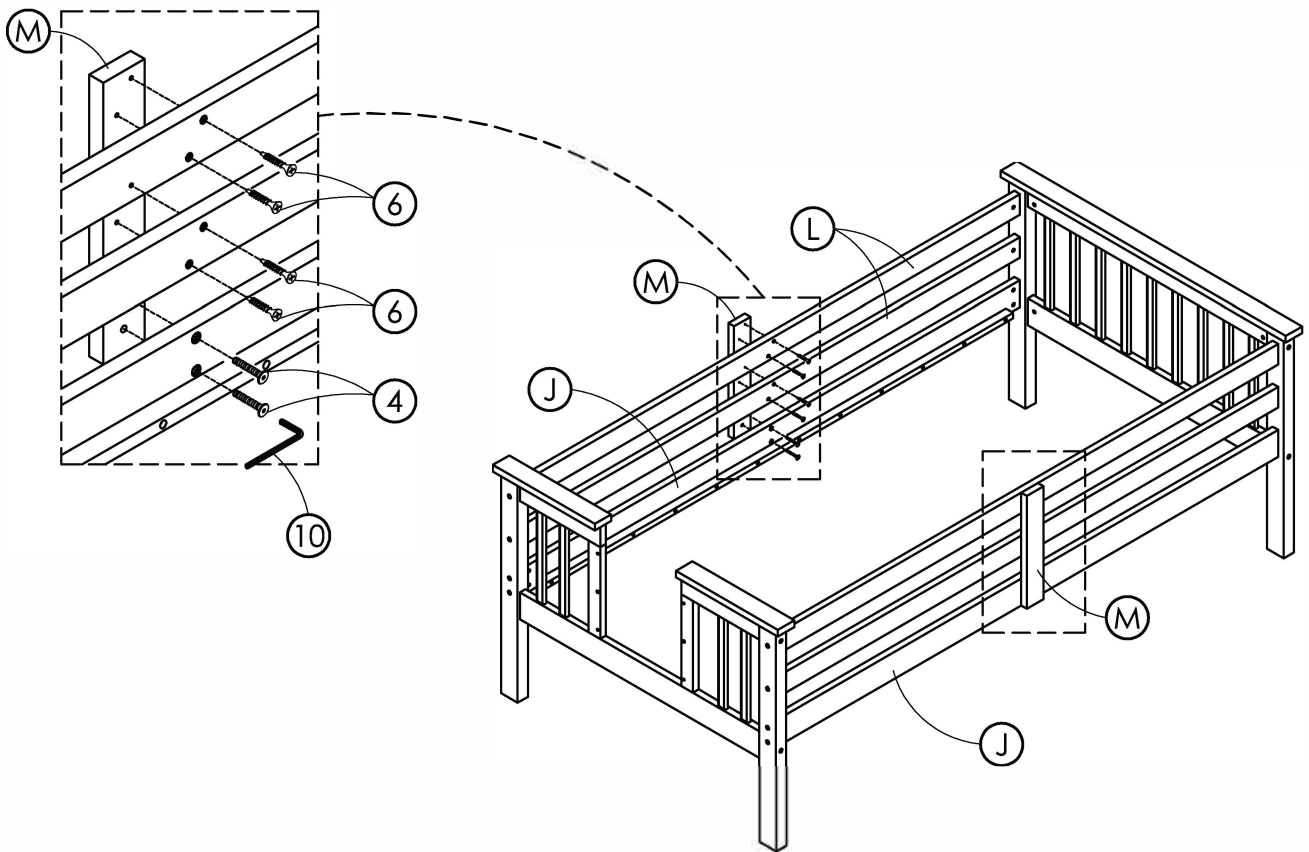
Step 1



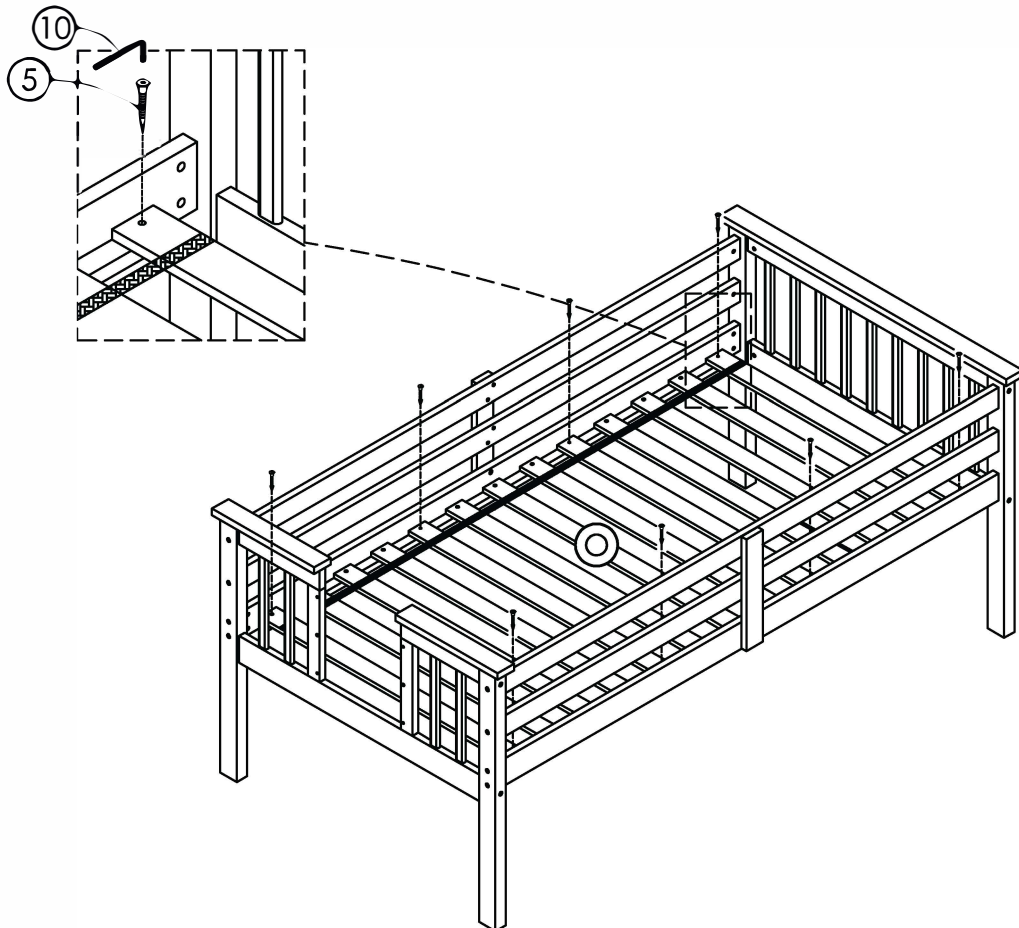
Step 2



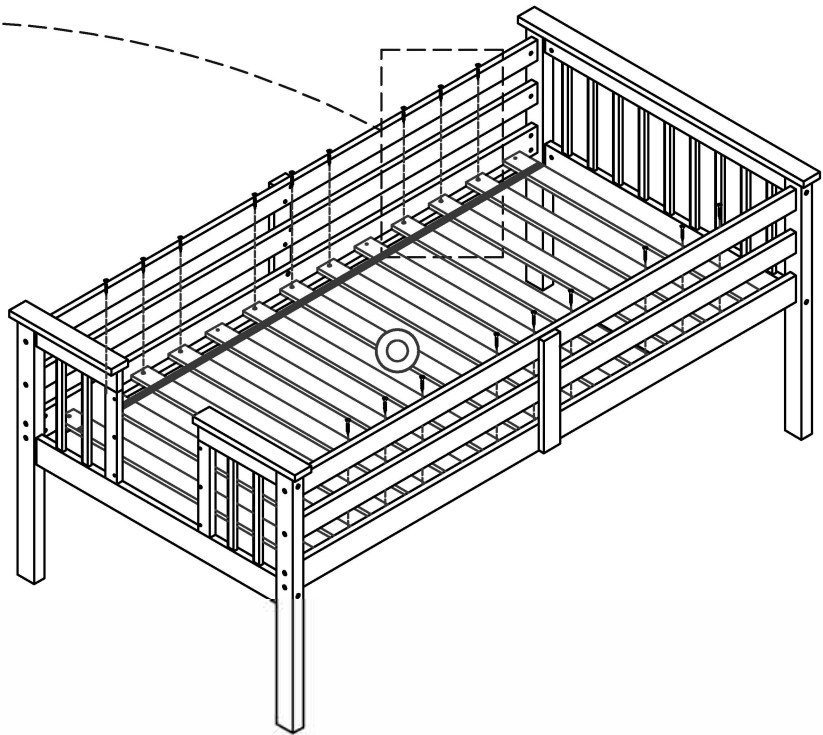
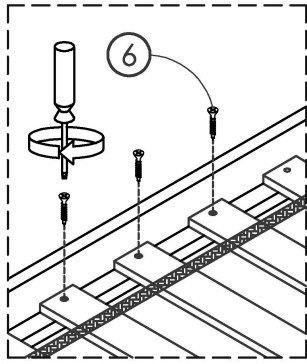
Step 3



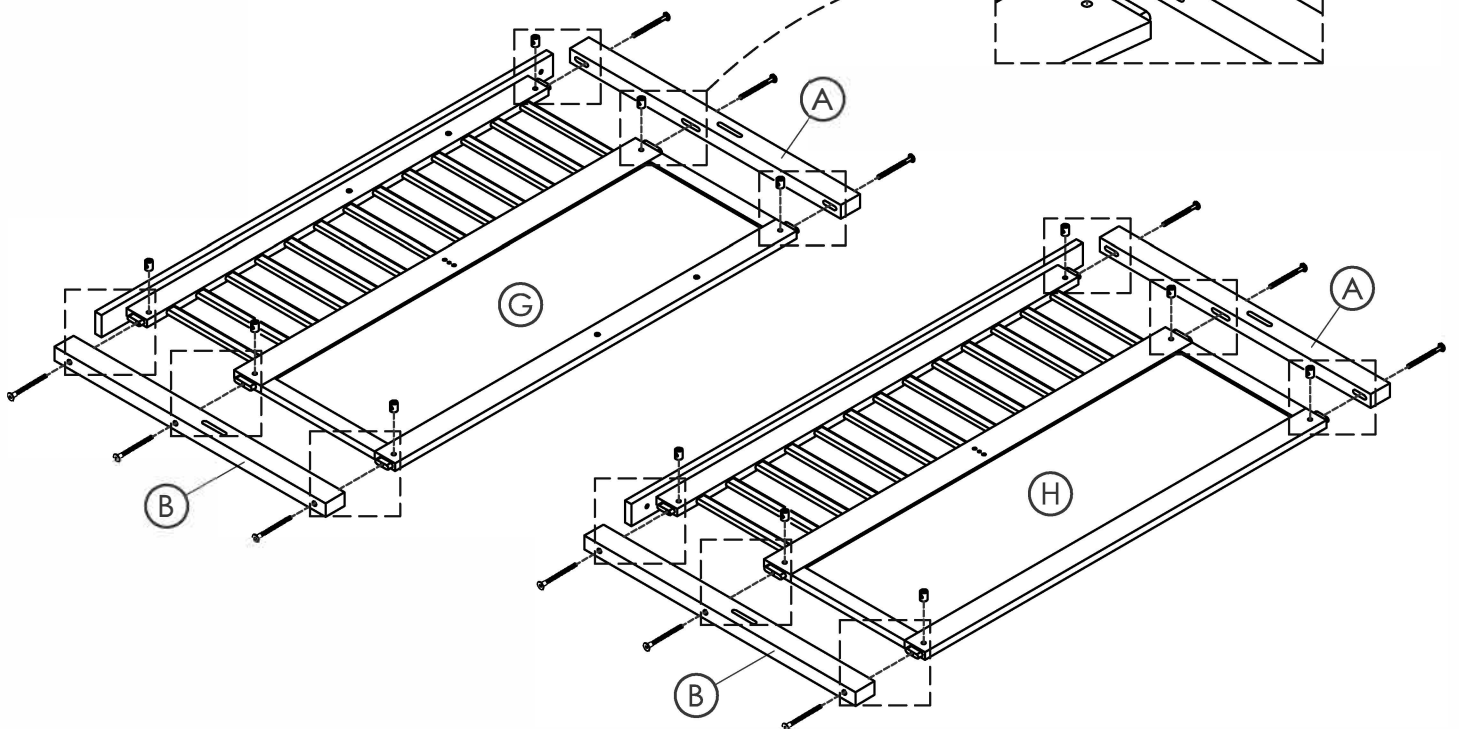
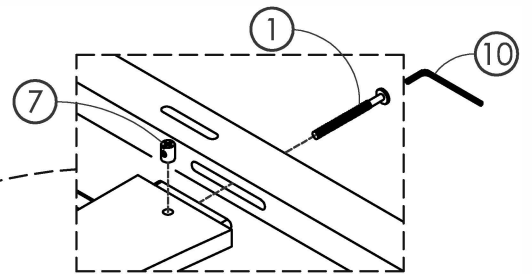
Step 4



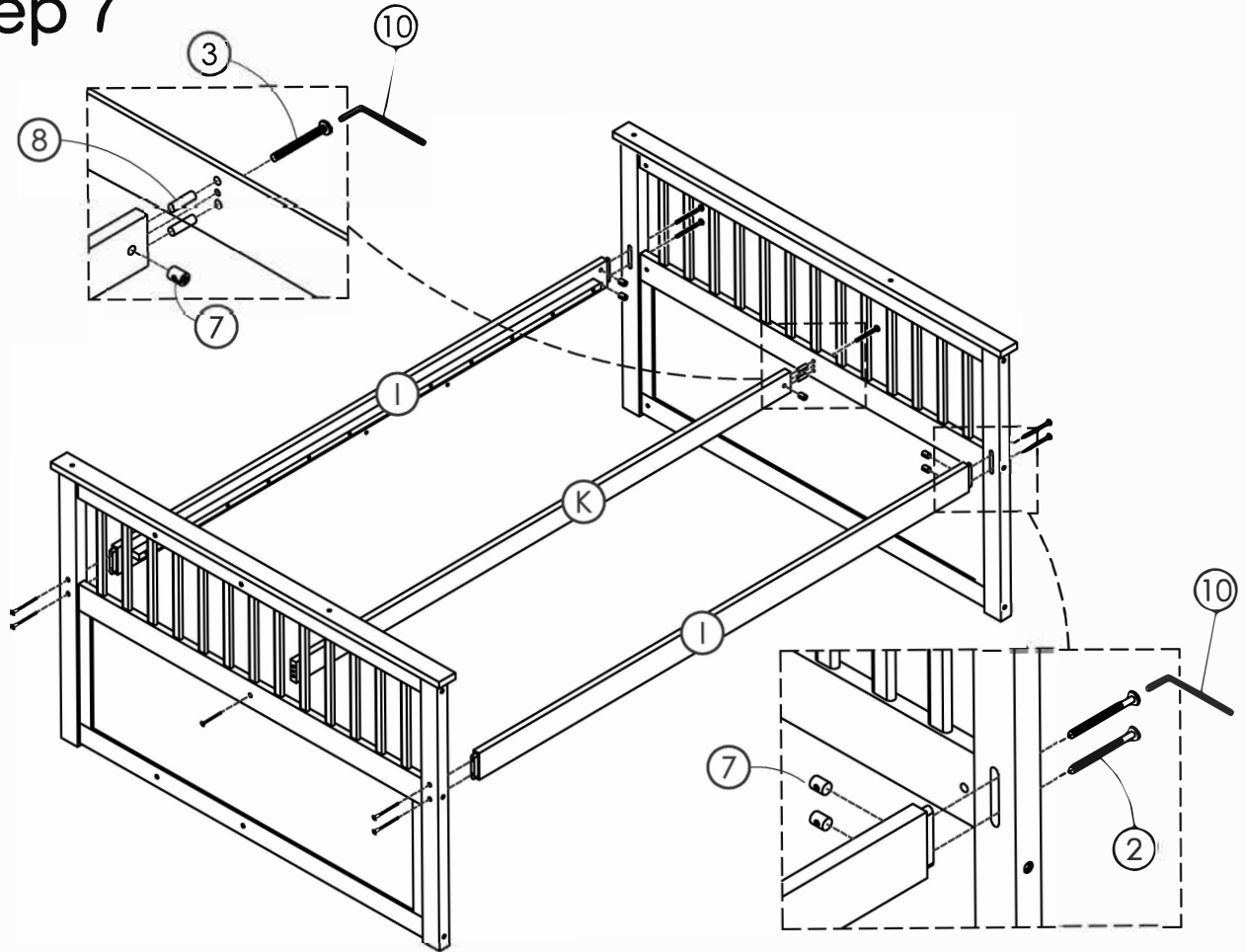
Step 5



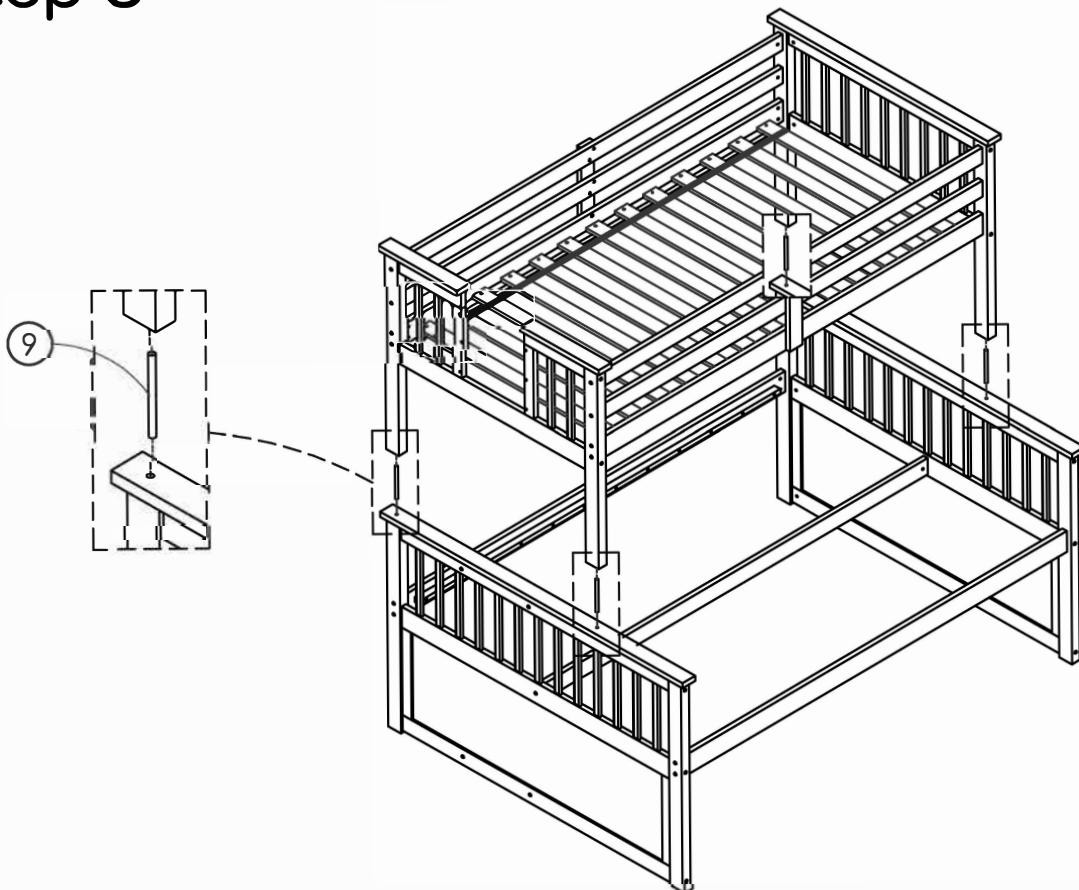
Step 6



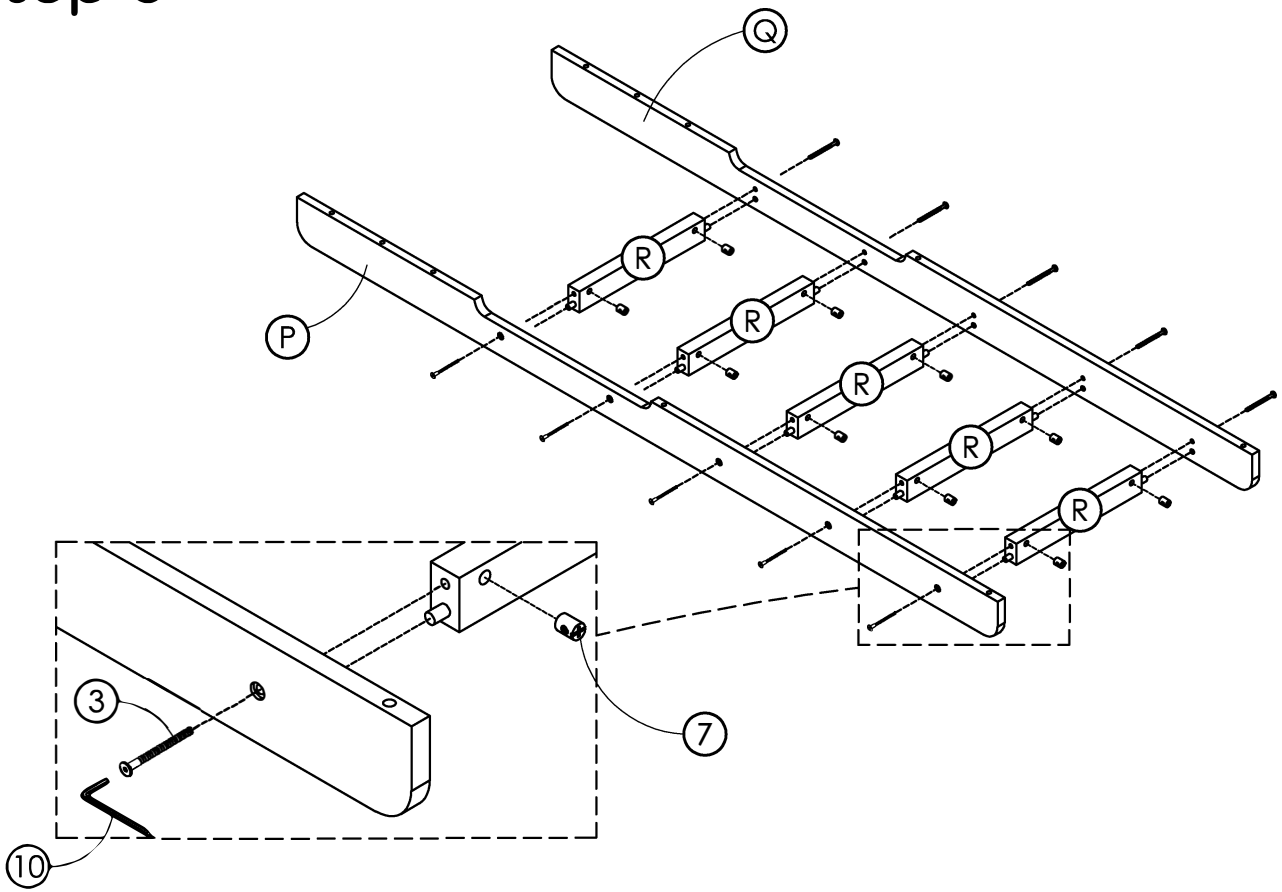
Step 7



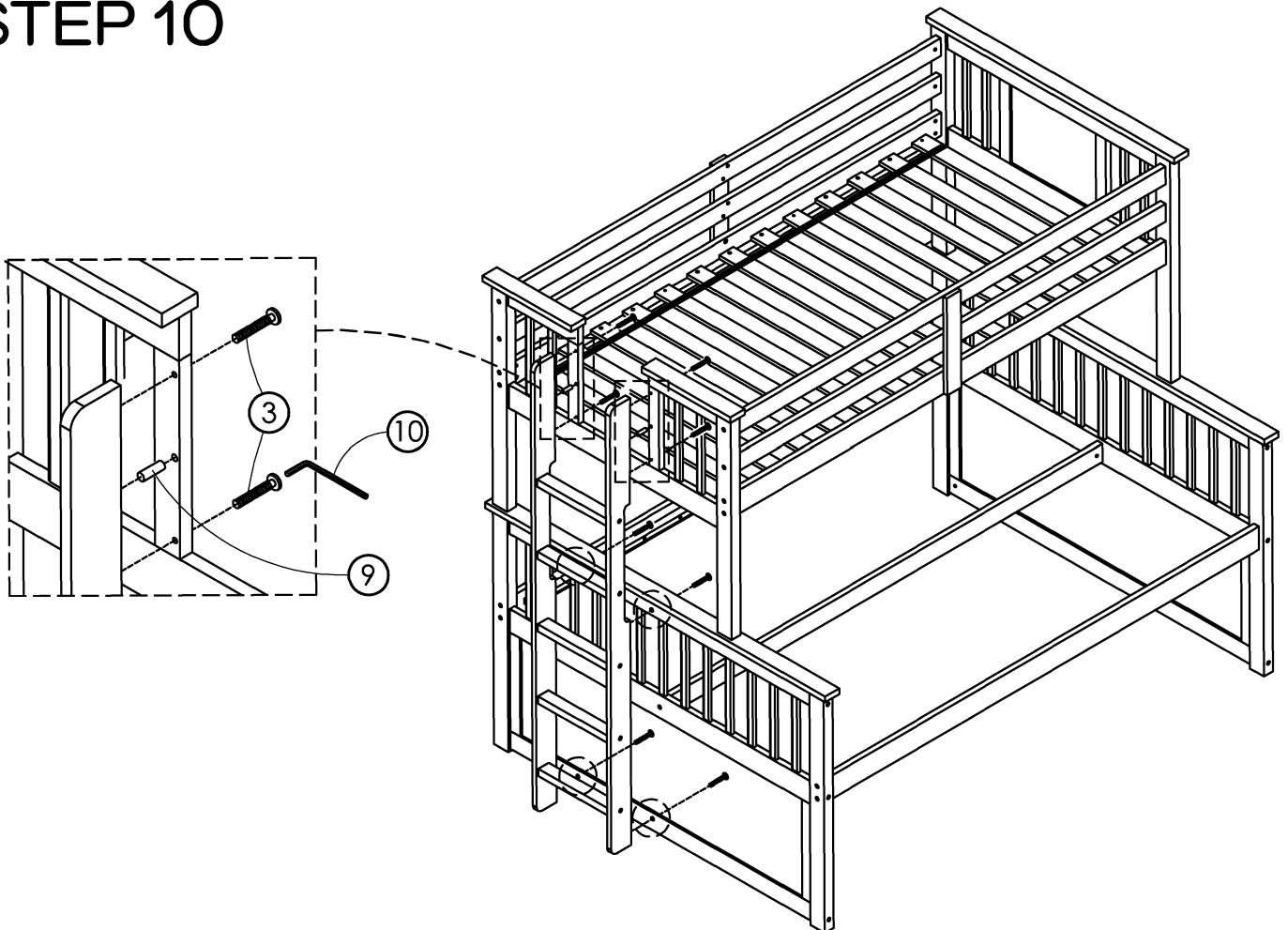
Step 8



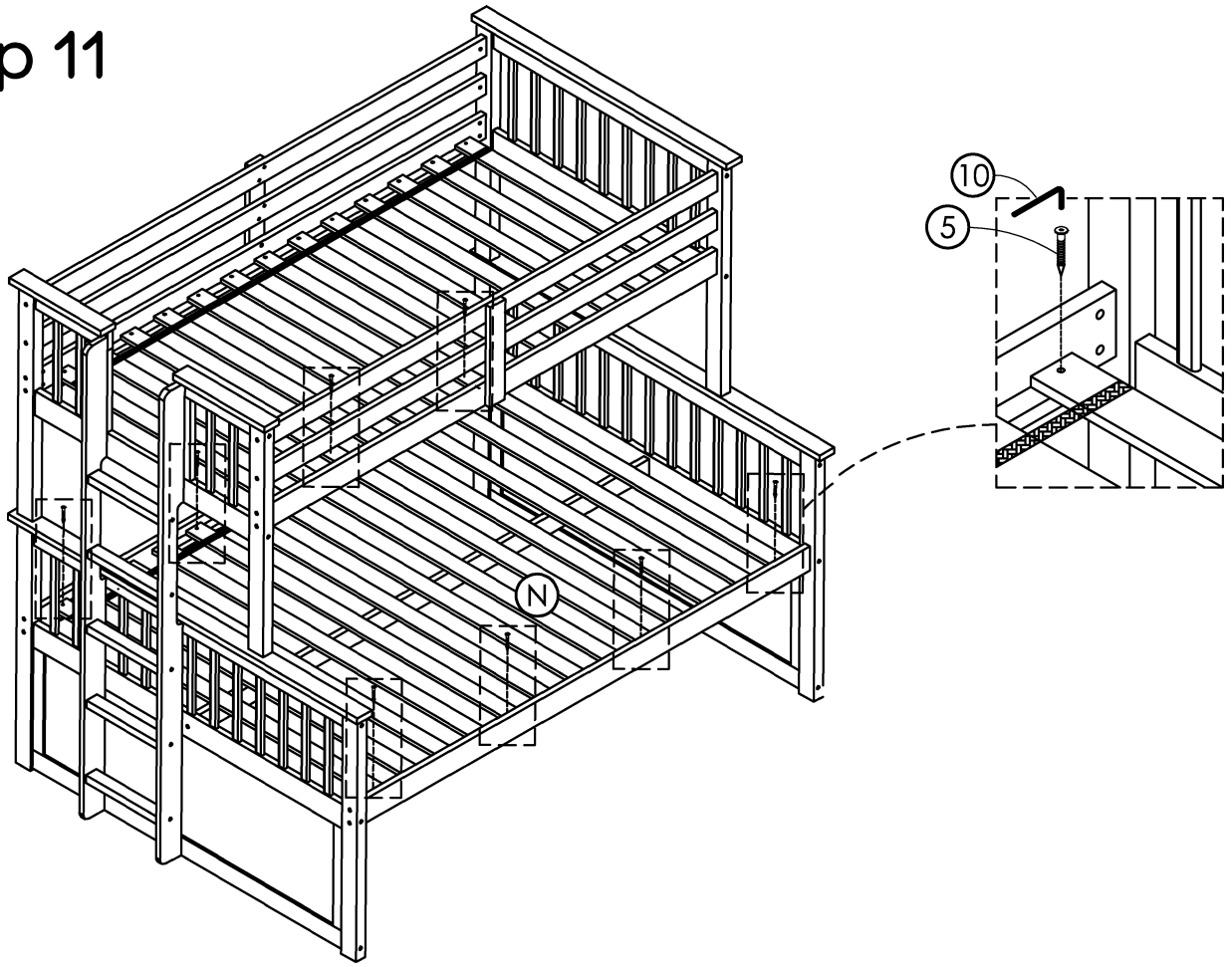
Step 9



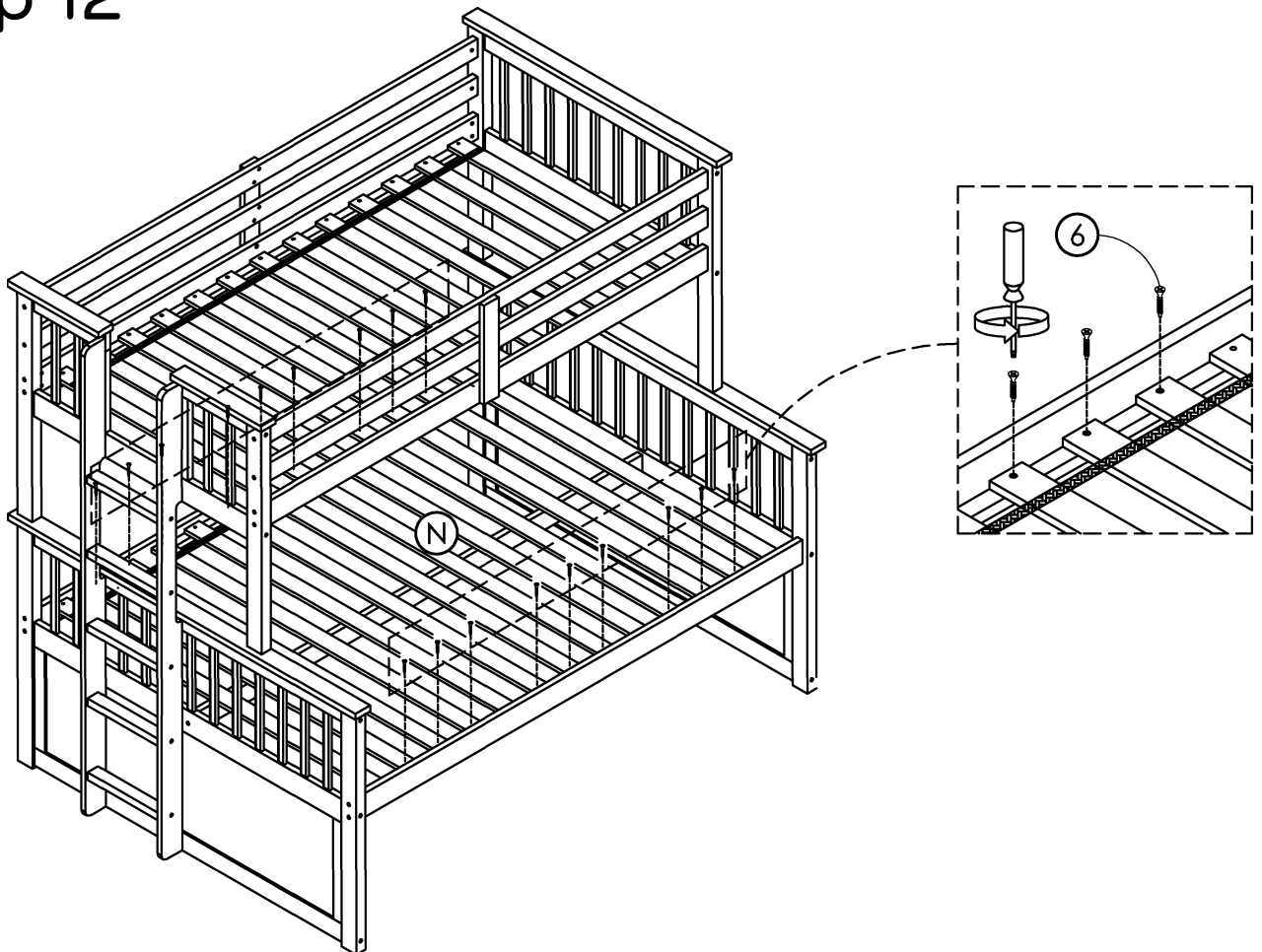
STEP 10



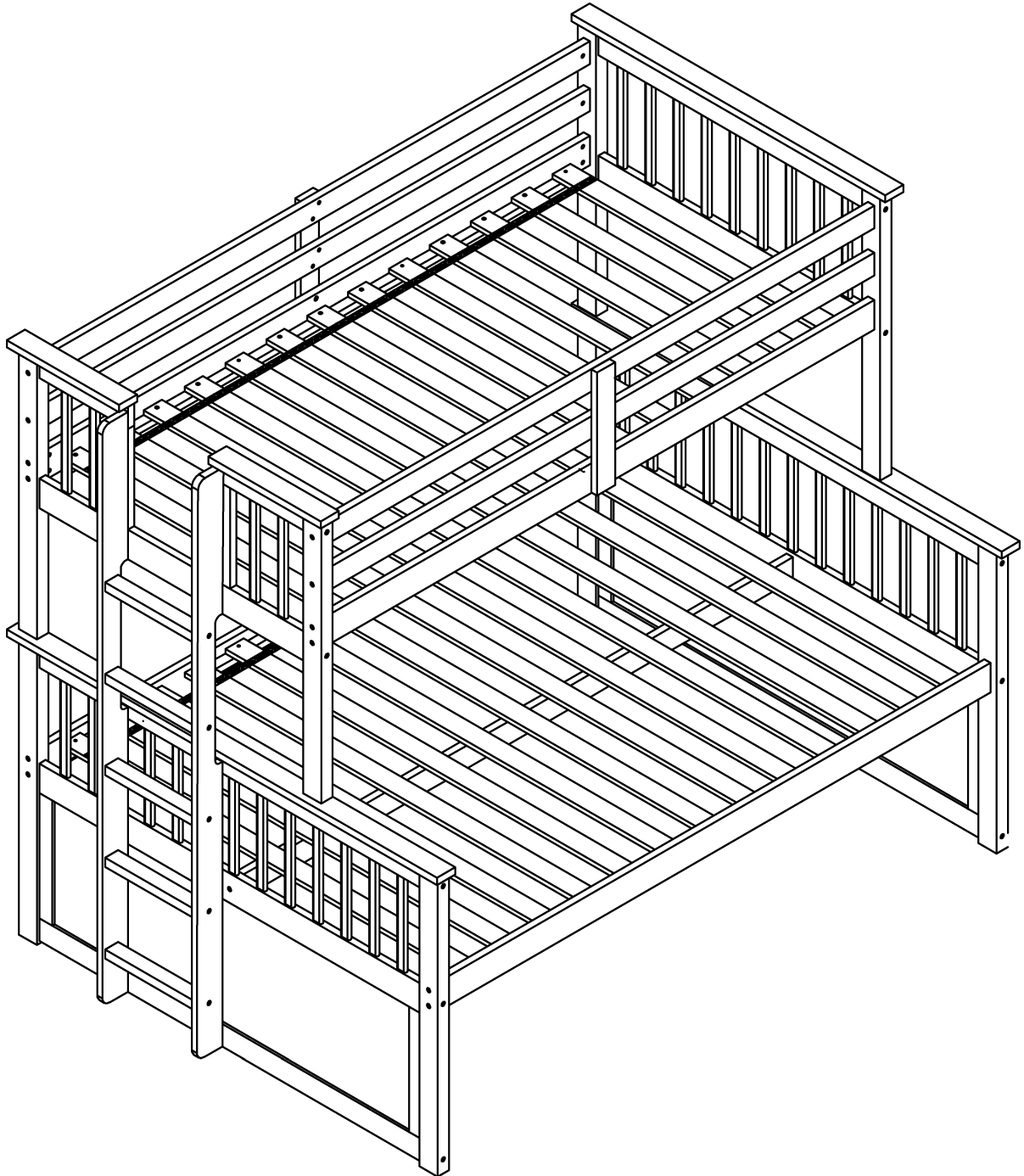
Step 11



Step 12

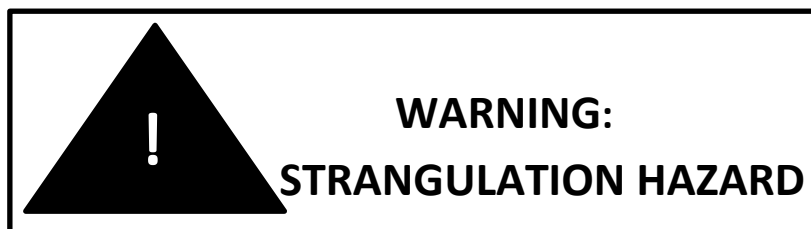


COMPLETE



Safety Warnings for Bunk Beds

1. Read and follow the information on the WARNING labels shown on the end structure of the upper bunk and on the carton.
2. Do not remove warning labels from the bed.
3. Keep these instructions for future use.
4. **IMPORTANT:** Must use Bunkie mattress or Bunkie board. The proper sizes for the UPPER/LOWER TWIN-SIZE Bunkie mattress or Bunkie board should be 74"- 75" long and 37 ½"- 38 ½" wide with no more than 6" thickness and for the UPPER/LOWER FULL -SIZE should be 74"-75" long and 53" – 54" wide with no more than 6" thickness.
5. Surface of mattress must be at least 5 inches (127 mm) BELOW the upper edge of the guardrails.
6. The **MAXIMUM** weight capacity for the upper bunk is not to exceed 150 lbs.
7. Do not allow children under 6 years of age to use the upper bunk.
8. Periodically check and ensure that the guardrails, ladder, handle and other components are in their proper position, free from damage, and that all connectors are tightened and secured.
9. **DO NOT** allow horseplay, rough playing, or jumping on the beds and do not allow playing or hiding under the beds.
10. Always use the ladder for entering or leaving the upper bunk.
11. Do not use substitute parts. Contact the manufacturer or dealer for replacement parts.
12. Use of a nightlight may provide added safety precaution for a person using the upper bunk.
13. Always use the guardrails on both sides of the upper bunk.
14. If the bunk bed will be placed next to a wall, the guardrail that runs the full length of the bed should be placed against the wall to prevent entrapment between the bed and the wall.
15. The use of water or sleep flotation mattresses is prohibited.
16. No more than one person is allowed on the upper bunk at all times.
17. Always use the recommended size mattresses or mattress supports, or both, to help prevent the like likelihood of entrapment or falls.



Objects such as, but not limited to, hanger, hooks, belts, bag, rope strings, etc. should not be hanged or used on or around the bunk bed.

ASSEMBLY INSTRUCTIONS

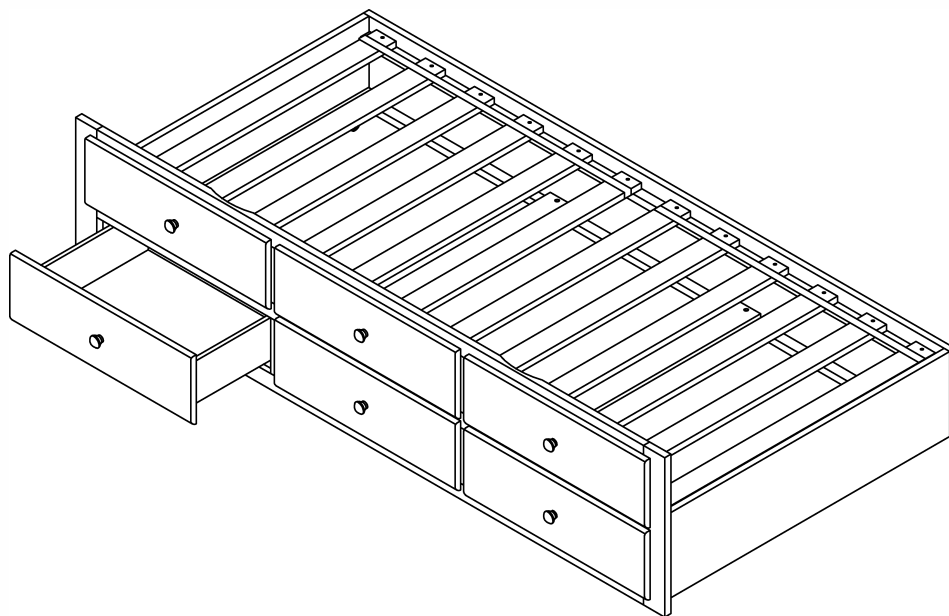
TOOLS REQUIRED



Allen Wrench
(Included)



Phillips
Screwdriver
(Not Included)



2 - People
Recommended

ASSEMBLY RATING



EASY —————> DIFFICULT

The Assembly Rating is a 5-point system showing the level of effort needed to assemble a specific product.



CHECK BEFORE STARTING

Are you missing anything?

Double-check all parts, hardware and accessories listed are all accounted for.

Check out our Quick Tips!

We recommend reviewing the pre-assembly handouts. Even experts need a refresher now and then!

Should we send any replacements?

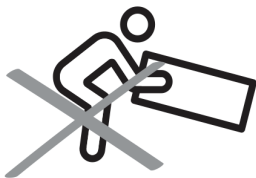
Are there any irregularities or flaws in the parts? We can send replacements!

Prep Time!

Please review the assembly instructions and all diagrams prior to assembling.

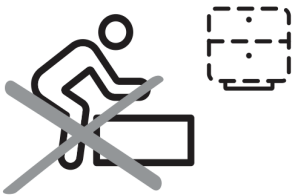
PRE ASSEMBLY INTRODUCTION

We understand building ready-to-assemble furniture can be a challenging experience for some. To help avoid confusion, we have provided some helpful tips that may speed up the process.



Teamwork

ALWAYS have at least two people to help with transporting and assembling the product to avoid potential injury and/or damage.



Suitable Location

Assembling near the area of the intended location is highly recommended.



Sufficient Space

Make sure you have enough space to move around during the assembly.



Avoid Scratches

Use cardboard, blankets or a carpeted area while assembling furniture to prevent to prevent scratches and damages.



Flat Surface

Make sure the furniture rests on a flat and level surface with each leg evenly touching the floor.

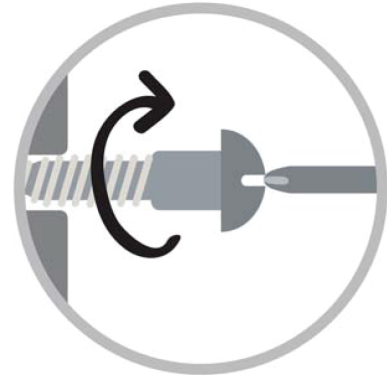
ASSEMBLY AND CARE ADVICE



FAILURE TO FOLLOW THE GUIDELINES BELOW MAY RESULT IN INJURY AND/OR PROPERTY DAMAGE.



Position each part correctly and insert screws or bolts into their respective holes.



Turn clockwise to tighten and only tighten when step is completed or when instructed to do so.



Use the appropriate hand tools or power tools for assembly. Select steps, such as tightening screws and/or bolts, may require hand tools to avoid causing damage during assembly.



Save the instructions and store any supplied tools for later maintenance.



After two weeks, check and tighten any loose hardware and repeat again every six months thereafter.

IT IS THE USER'S RESPONSIBILITY TO MAINTAIN THE FURNITURE. THE HARDWARE MAY LOOSEN OVER TIME AND MAY CAUSE THE FURNITURE TO BE WOBBLY AND UNABLE TO SUPPORT ITS INTENDED WEIGHT CAPACITY. THIS MAY LEAD TO COLLAPSE AND MAY CAUSE SERIOUS INJURY.

ASSEMBLY INSTRUCTIONS

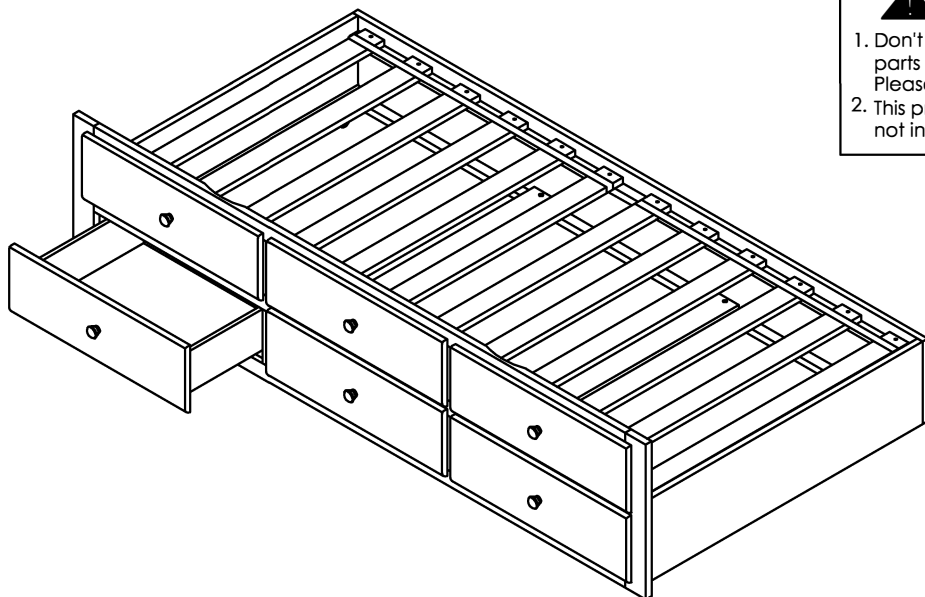
ASSEMBLY TIPS

1. Remove hardware from box and sort by size.
2. Please check to see that all hardware and parts are present prior start of assembly.
3. Please follow attached instructions in the same sequence as numbered to assure fast and easy assembly.





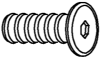










Warning !

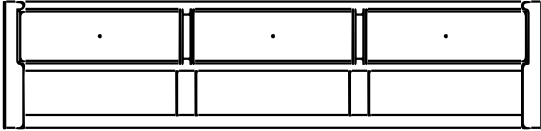

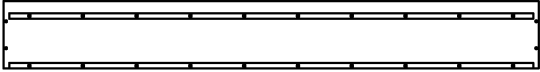

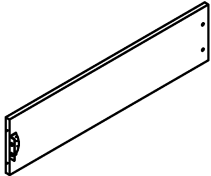

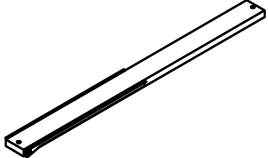
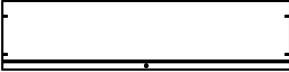
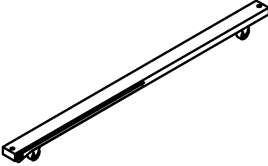
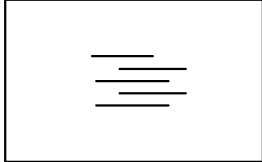
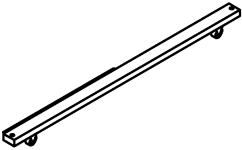

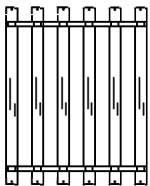
1. Don't attempt to repair or modify parts that are broken or defective. Please contact the store immediately.
2. This product is for home use only and not intended for commercial establishments.



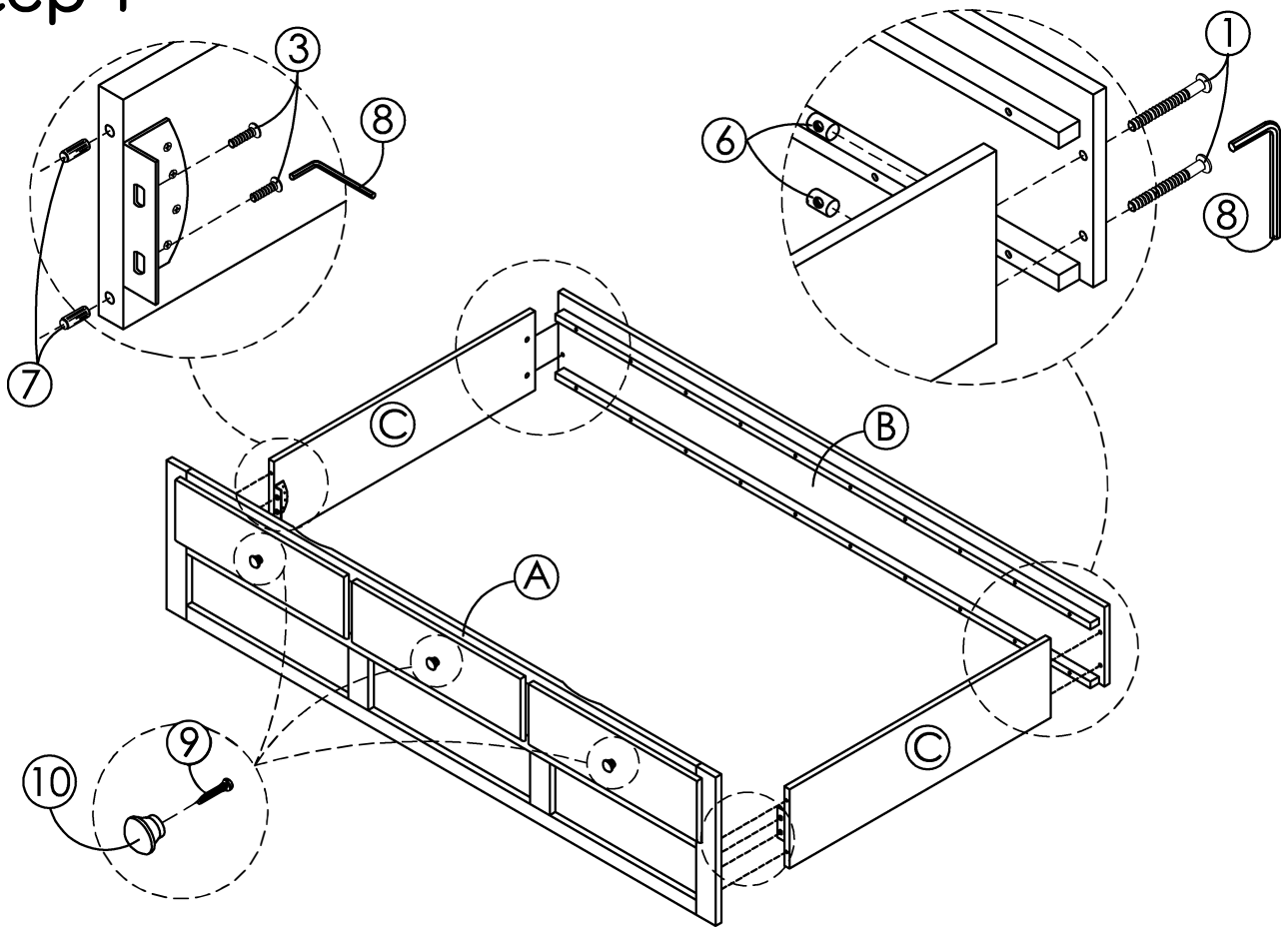
HARDWARE LIST

1	 JCBC M6 x 60mm	4 PCS	8	 M4 ALLEN KEY	1 PC
2	 JCBC M6 x 35mm	8 PCS	9	 T/H MACHINE SCREW 4.0 x 30mm	6 PCS
3	 JCBC M6 x 16mm	4 PCS	10	 WOODEN HANDLE	6 PCS
4	 JCBC - W M6 x 28mm	8 PCS	11	 WOOD DOWEL Ø6 x 30mm	12 PCS
5	 WOOD SCREW 4.0 x 28mm	32 PCS	12	 MINIFIX CAM	18 PCS
6	 BARREL NUT M6 x 13mm	4 PCS	13	 MINIFIX BOLT	18 PCS
7	 WOOD DOWEL Ø10 x 30mm	4 PCS			

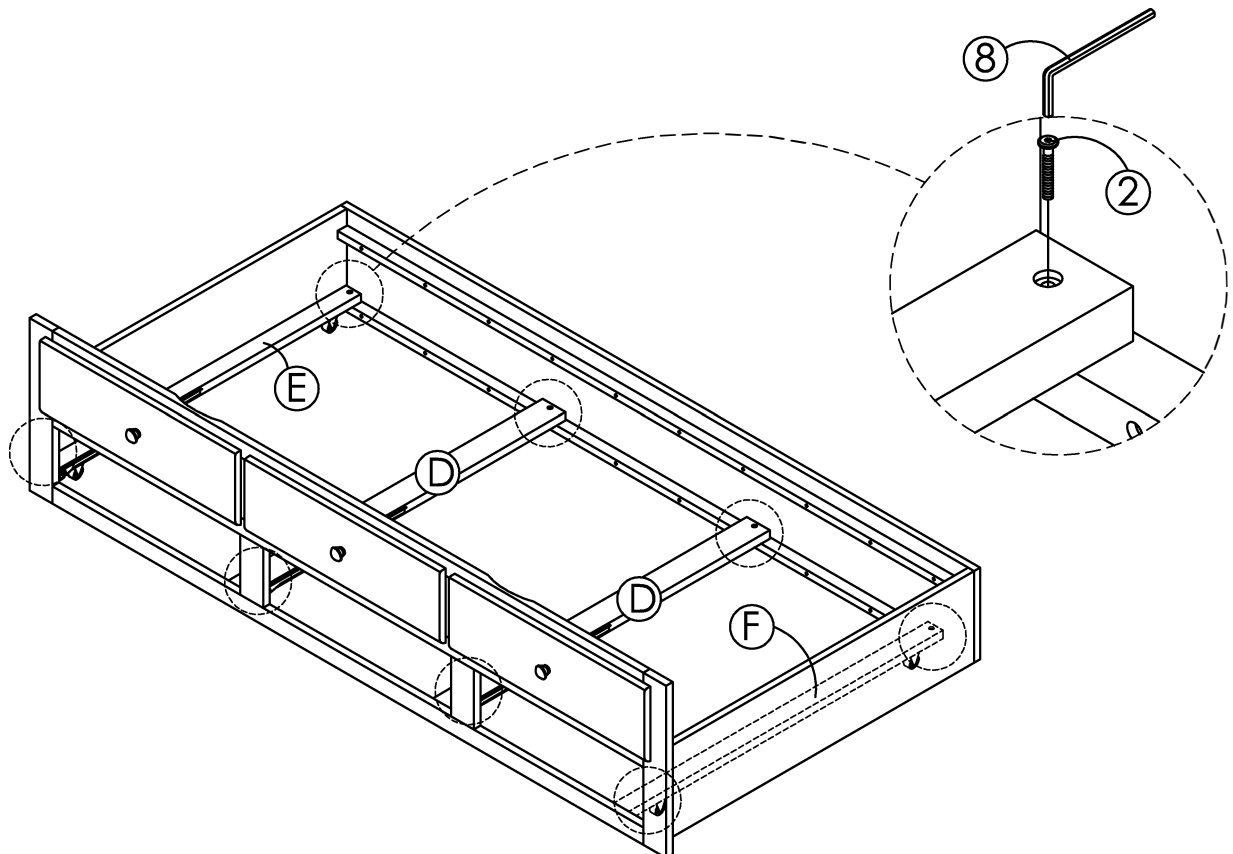
COMPONENT LIST

A		1 PC			3 PCS
	FRONT PANEL			FRONT PANEL DRAWER	
B		1 PC			3 PCS
	BACK PANEL			SIDE PANEL DRAWER (RIGHT)	
C		2 PCS			3 PCS
	SIDE PANEL			SIDE PANEL DRAWER (LEFT)	
D		2 PCS			3 PCS
	SLAT SUPPORT			BACK PANEL DRAWER	
E		1 PC			3 PCS
	SLAT SUPPORT WITH ROLLER (LEFT)			BOTTOM PANEL DRAWER	
F		1 PC			3 PCS
	SLAT SUPPORT WITH ROLLER (RIGHT)			RAIL SUPPORT DRAWER	
G		2 SETS			
	SLATS				

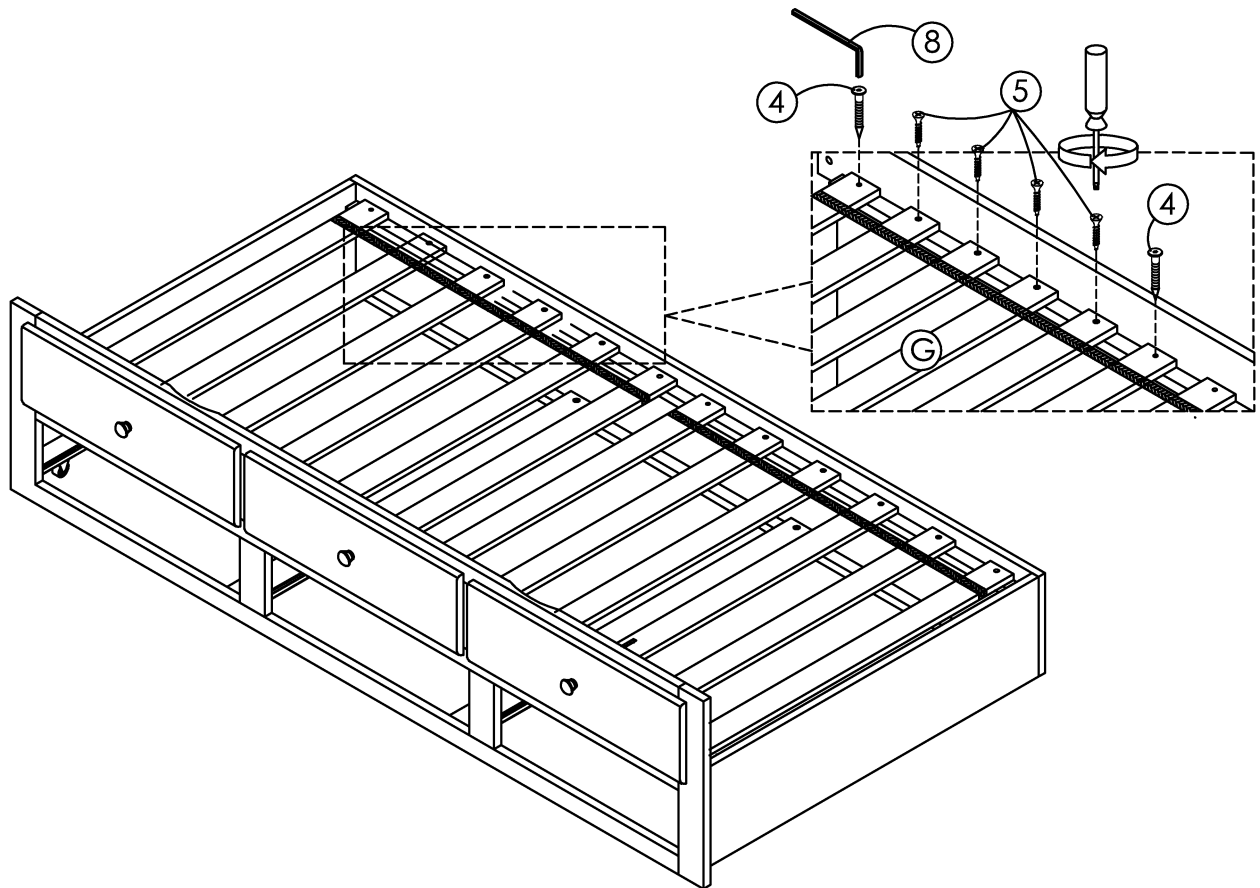
Step 1



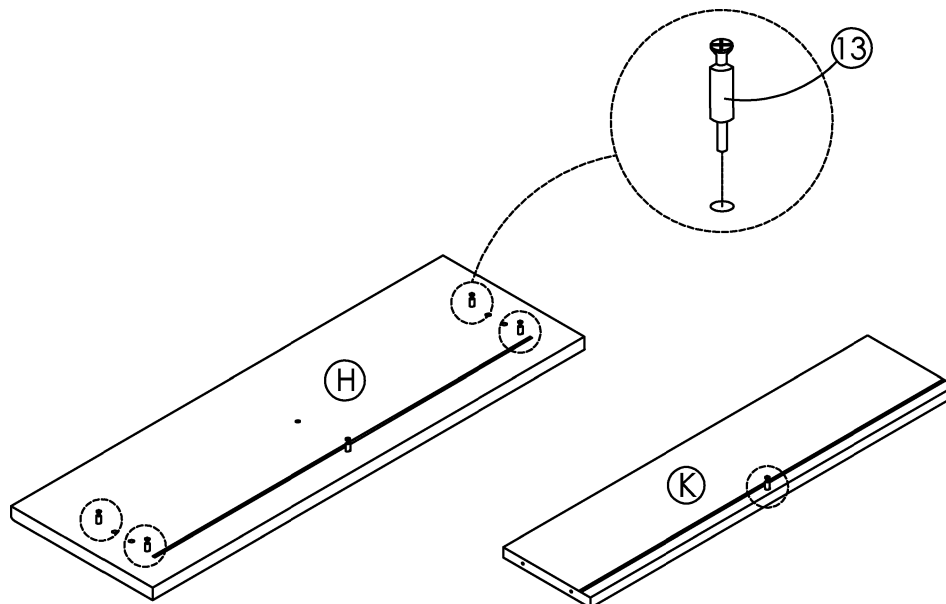
Step 2



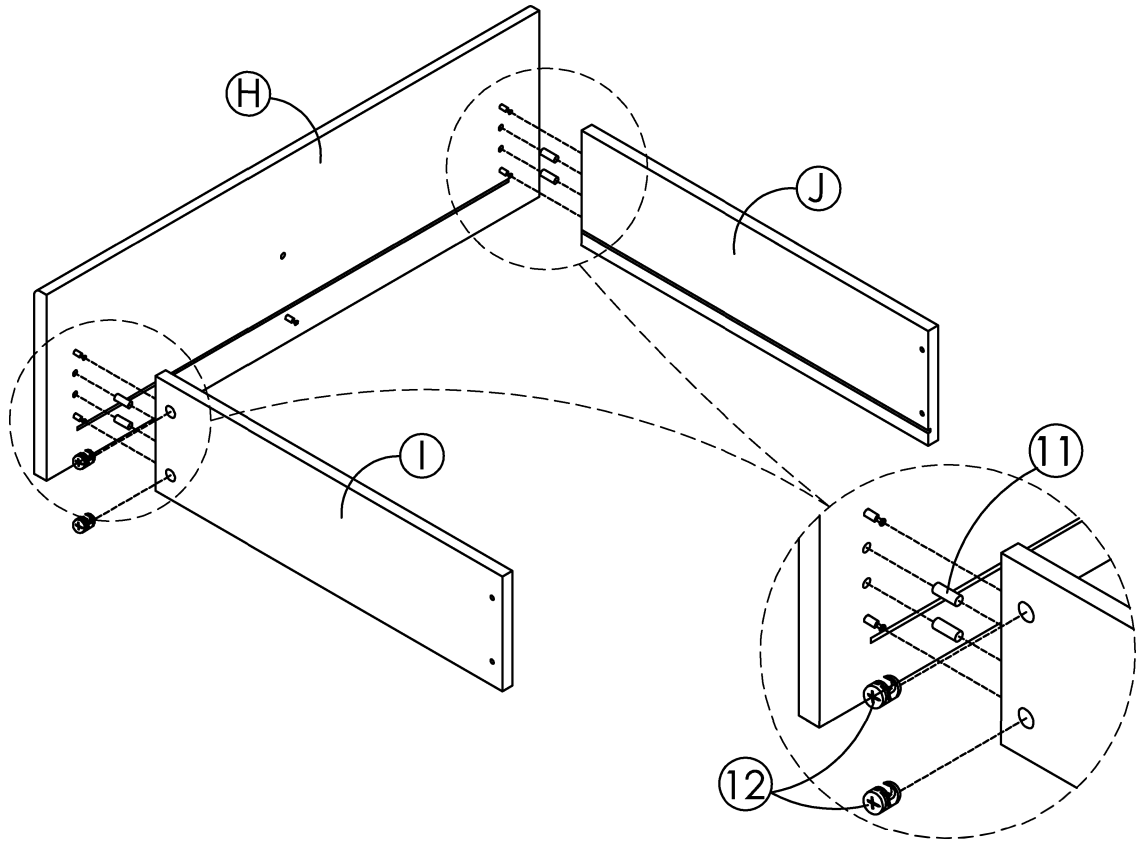
Step 3



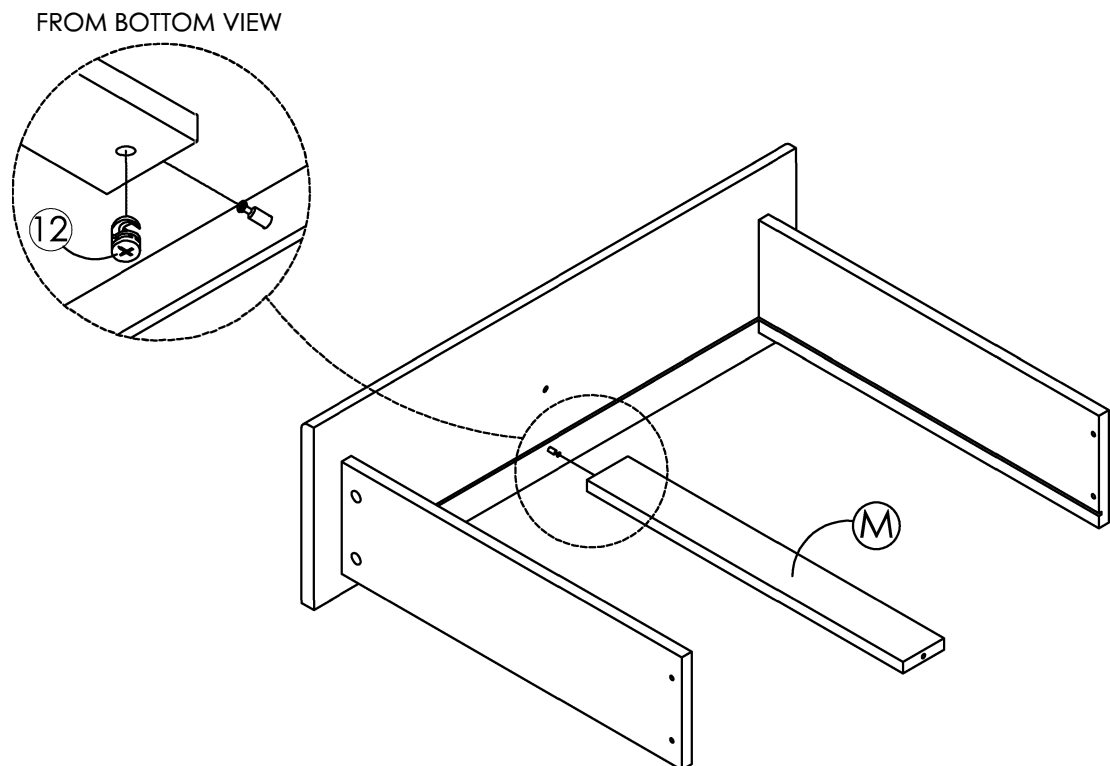
Step 4



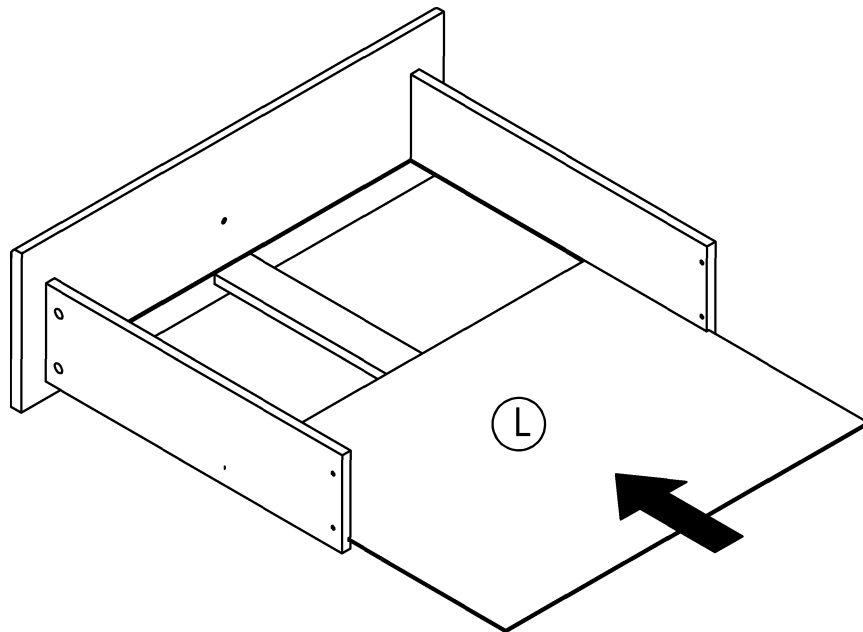
Step 5



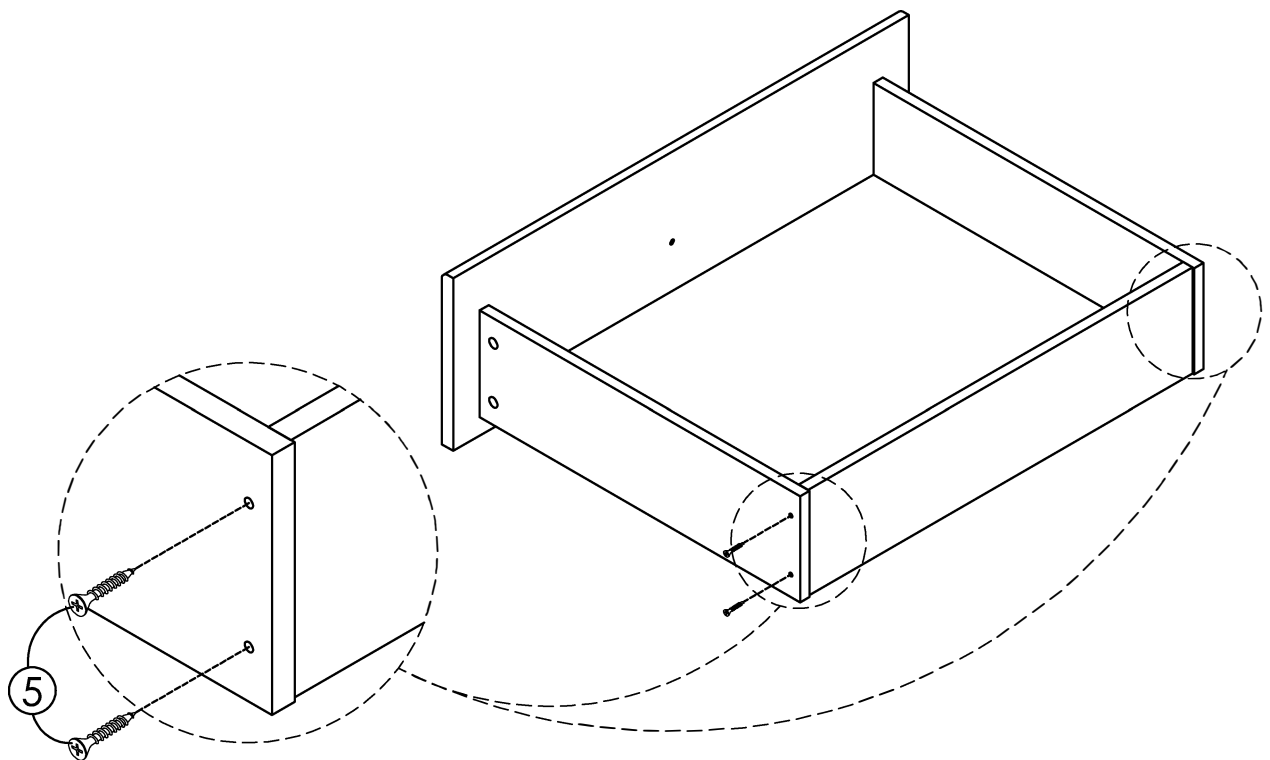
Step 6



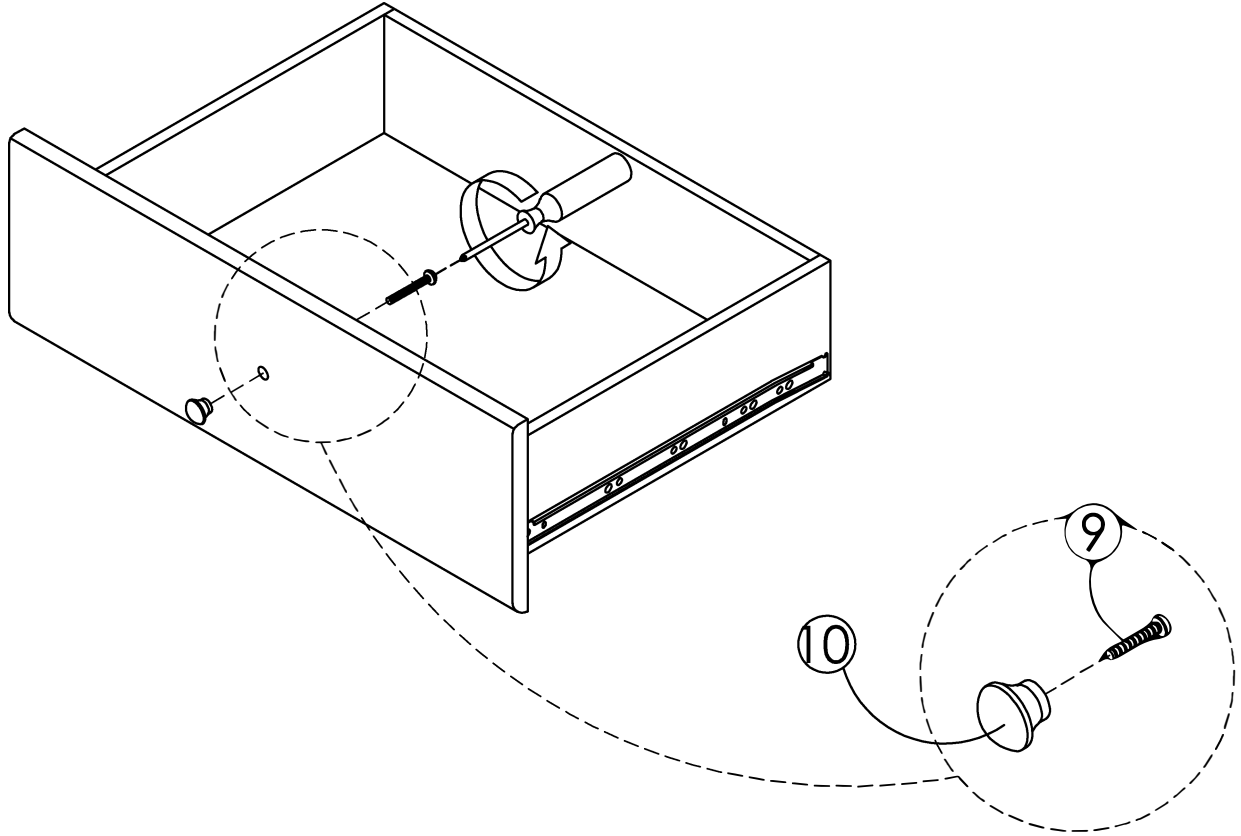
Step 7



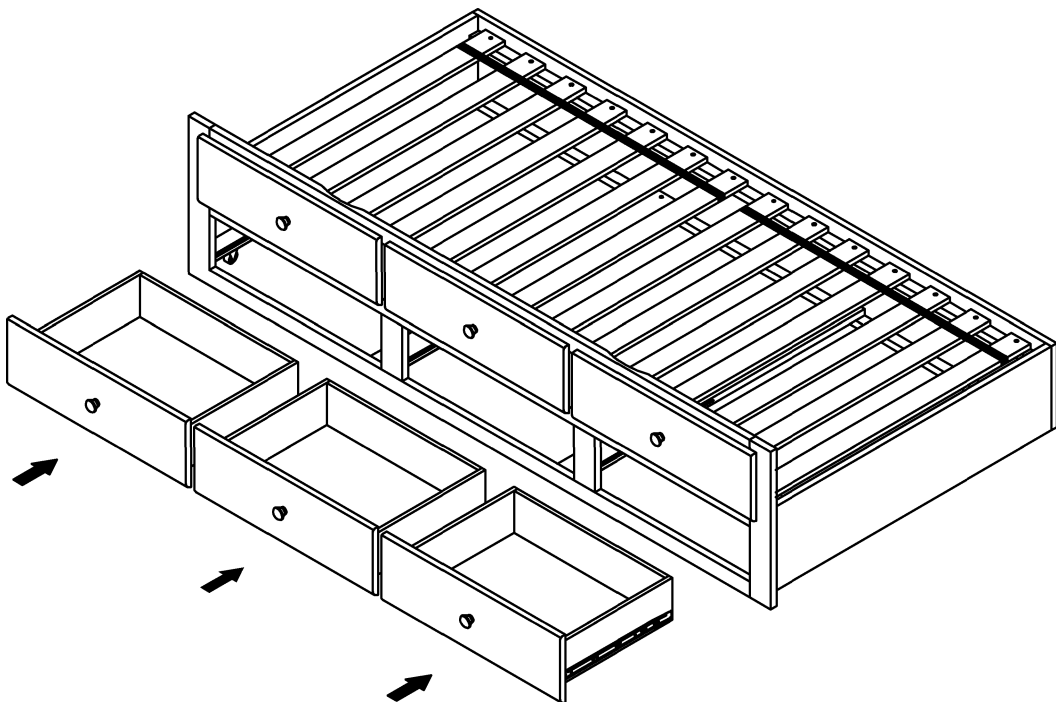
Step 8



Step 9



STEP 10



COMPLETE

