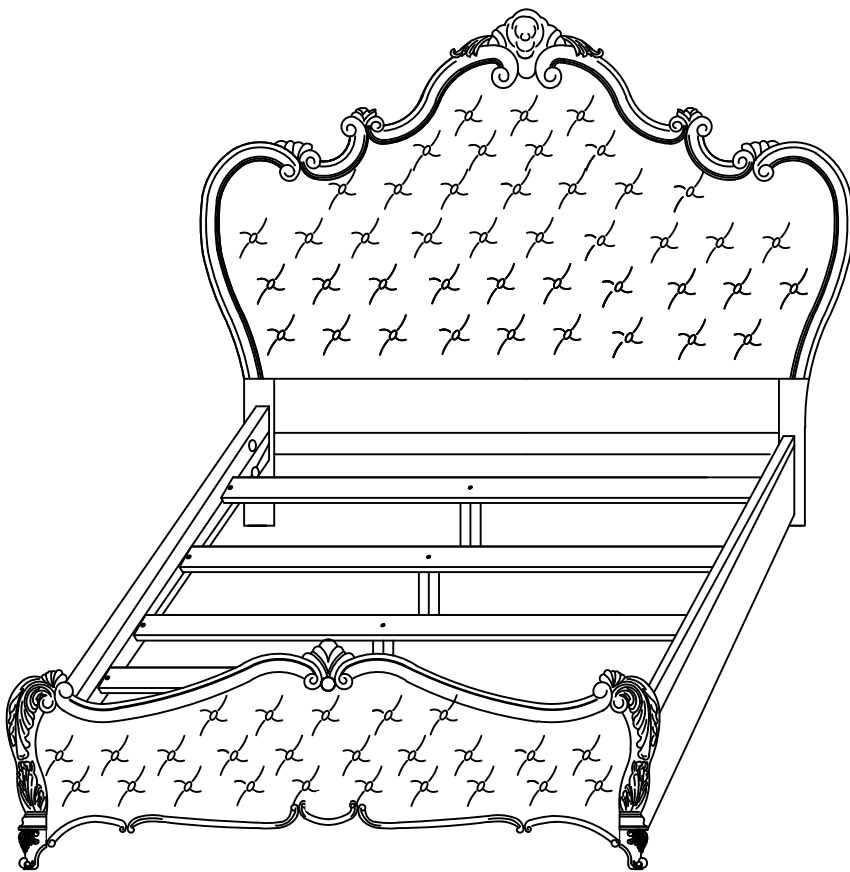


# ASSEMBLY INSTRUCTIONS



## TOOLS REQUIRED



Allen Wrench

(Included)



Phillips Screwdriver

(Not Included)



2 - People  
Recommended

## ASSEMBLY RATING



EASY —————> DIFFICULT

The Assembly Rating is a 5-point system showing the level of effort needed to assemble a specific product.



## **CHECK BEFORE STARTING**



### **Are you missing anything?**

Double-check all parts, hardware and accessories listed on Page 6 are accounted for.



### **Should we send any replacements?**

Are there any irregularities or flaws in the parts? We can send replacements!



### **Check out our Quick Tips!**

We recommend reviewing the pre-assembly handouts. Even experts need a refresher now and then!



### **Prep Time!**

Please review the assembly instructions and all diagrams prior to assembling. Set up your workspace by laying the parts and hardware out separately, then begin!

# PRE ASSEMBLY INTRODUCTION

We understand building ready-to-assemble furniture can be a challenging experience for some. To help avoid confusion, we have provided some helpful tips that may speed up the process.



## Teamwork

ALWAYS have at least two people to help with transporting and assembling the product to avoid potential injury and/or damage.



## Suitable Location

Assembling near the area of the intended location is highly recommended.



## Sufficient Space

Make sure you have enough space to move around during the assembly.



## Avoid Scratches

Use cardboard, blankets or a carpeted area while assembling furniture to prevent scratches.



## Flat Surface

Make sure the furniture rests on a flat and level surface with each leg evenly touching the floor.

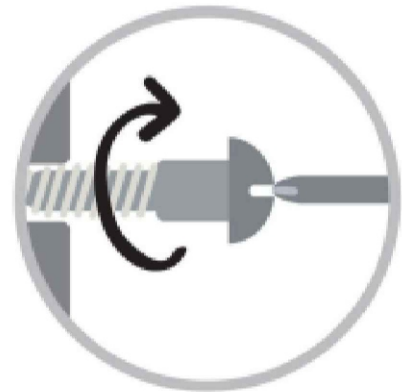
# ASSEMBLY AND CARE ADVICE



**FAILURE TO FOLLOW THE GUIDELINES BELOW MAY RESULT IN INJURY AND/OR PROPERTY DAMAGE.**



Position each part correctly and insert screws or bolts into their respective holes.



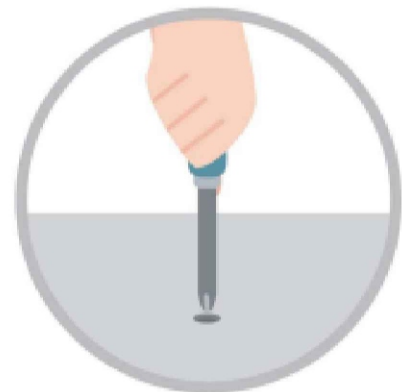
Turn clockwise to tighten and only tighten when step is completed or when instructed to do so.



Use the appropriate hand tools or power tools for assembly. Select steps, such as tightening screws and/or bolts, may require hand tools to avoid causing damage during assembly.



Save the instructions and store any supplied tools for later maintenance.



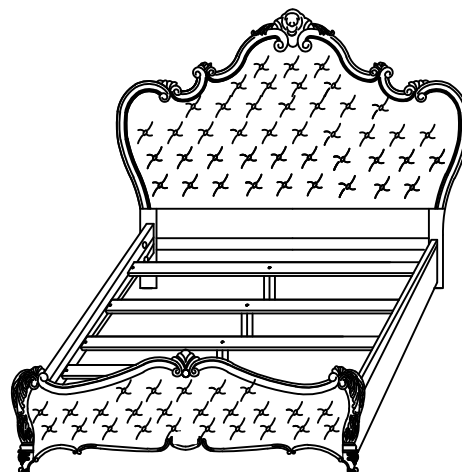
After two weeks, check and tighten any loose hardware and repeat again every six months thereafter.

**IT IS THE USER'S RESPONSIBILITY TO MAINTAIN THE FURNITURE. THE HARDWARE MAY LOOSEN OVER TIME AND MAY CAUSE THE FURNITURE TO BE WOBBLY AND UNABLE TO SUPPORT ITS INTENDED WEIGHT CAPACITY. THIS MAY LEAD TO COLLAPSE AND MAY CAUSE SERIOUS INJURY.**

# BED



- Please keep instructions for future reference.
- Check the quantity and irregularity of parts and hardware before you start.



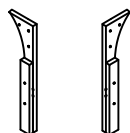
## PARTS

#1 1pc



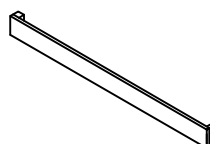
Headboard

#2 2pcs



Headboard leg(L&R)

#3 1pc



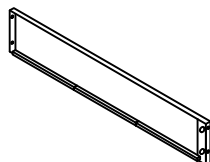
HB Cross bar

#4 1pc



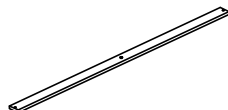
Footboard

#5 2pcs



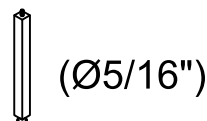
Siderail

#6 4 pcs



Slat

#7 4pcs



Slat support leg  
190x30x30mm

## HARDWARE

#A 12pcs



Bolt Ø5/16" x 1-3/4"

#B 12pcs



Lock Washer Ø5/16"

#C 12pcs



Flat Washer Ø5/16"

#D 1pc



Allen key M4

#E 8pcs



Screw #4 x 32mm

#F 8pcs



Ø5/16" X 3-1/4"

# HARDWARE

#G 8pcs



Half Moon Washer  
(Ø5/16")

#H 8pcs

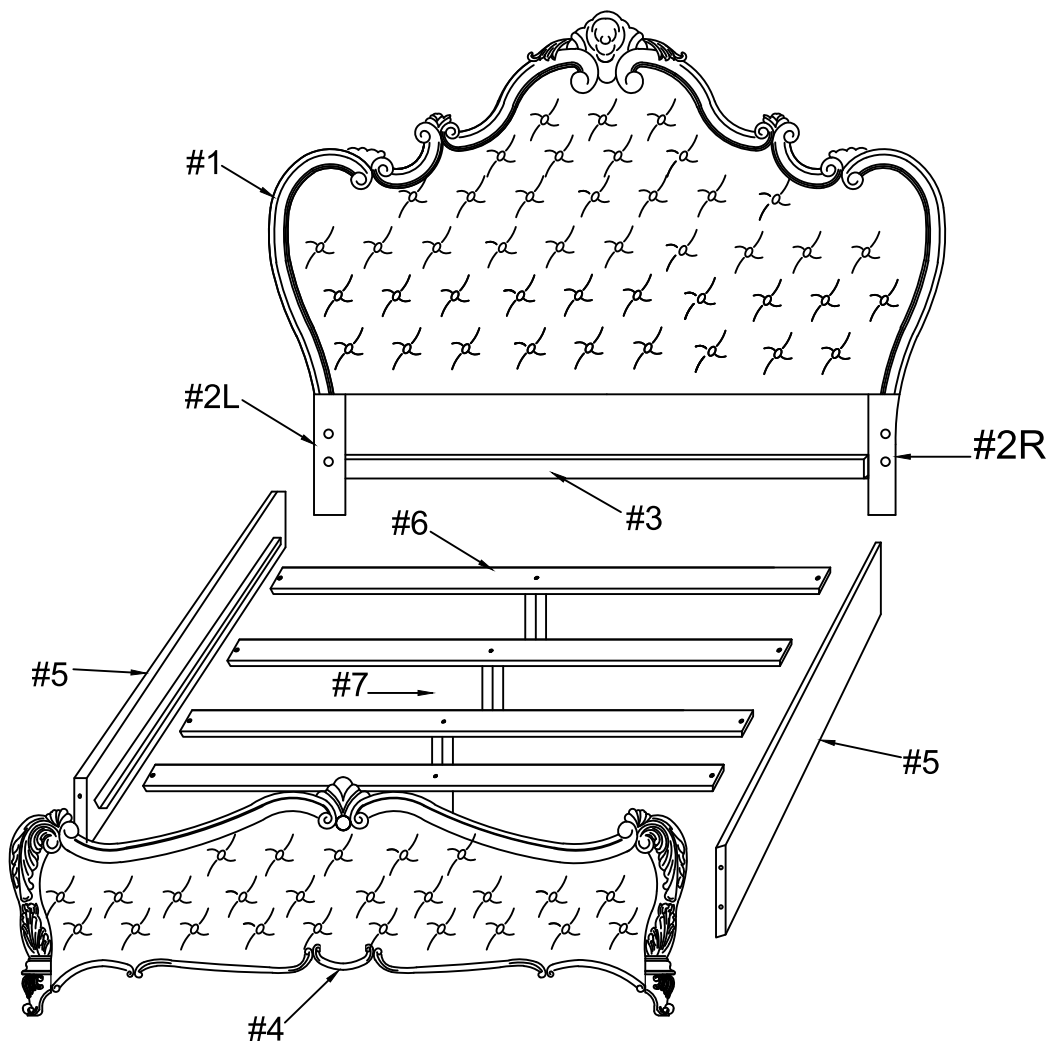


Hex Nut (Ø5/16")


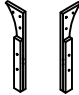


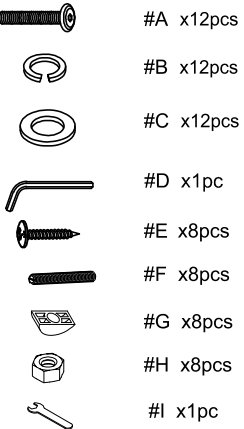
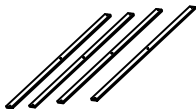
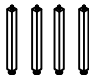
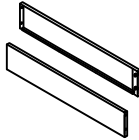
#I 1pcs



Wrench 14mm



# is packed in 3 cases

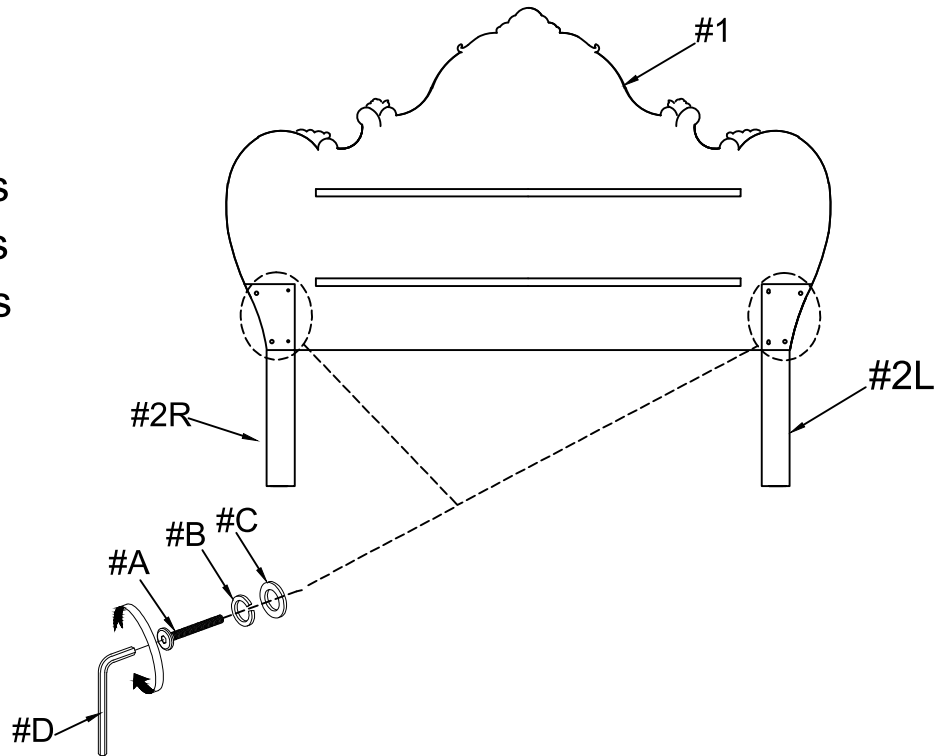
Carton	Disignation	Part	Part	Hardware
	Headboard	#1		
	Headboard leg(L&R) (2pcs)	#2		
	HB Cross bar	#3		
	Footboard	#4		
	Slat (4pcs)	#6		
	Slat support leg 190x30x30mm (4pcs)	#7		
	Siderail (2pcs)	#5		

# ASSEMBLY INSTRUCTIONS

Align the Headboard leg (#2) to the Headboard (#1) and secure using Bolts (#A) with Lock washer (#B) and Flat washer (#C).

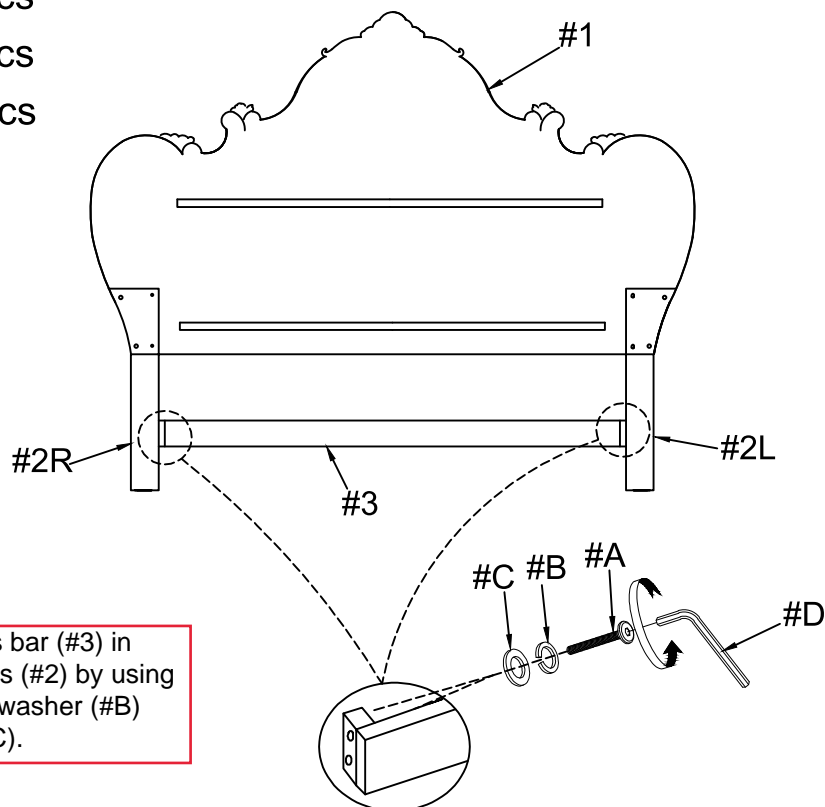
## 1

- Part #1 x1pc
- Part #2 x2pcs
- Hardware #A x8pcs
- Hardware #B x8pcs
- Hardware #C x8pcs



## 2

- Part #3 x1pc
- Hardware #A x4 pcs
- Hardware #B x4 pcs
- Hardware #C x4 pcs



# ASSEMBLY INSTRUCTIONS

## 3

Use the Threads (#F) to align and attach the Side rails (#5) to the Headboard Legs (#2) and Footboard (#4). Use the Half moon washer (#G), followed by the Hex Nut (#H) to secure.

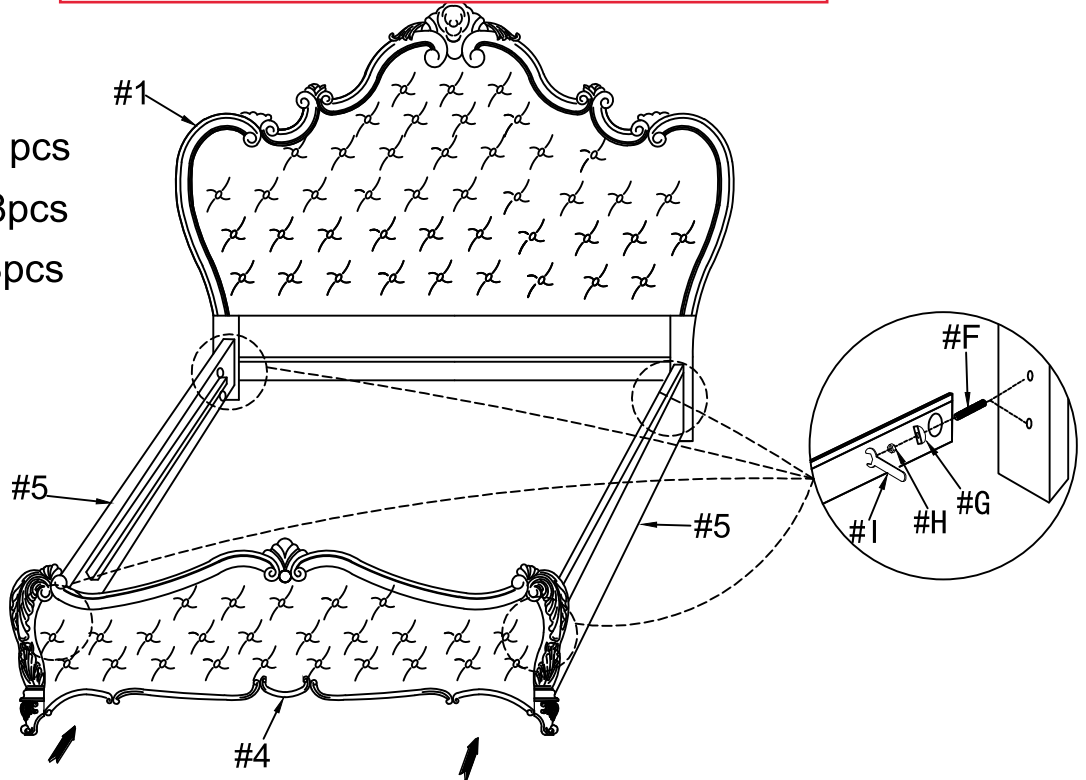
Part #4 x1pcs

Part #5 x2pcs

Hardware #F x8 pcs

Hardware #G x8pcs

Hardware #H x8pcs

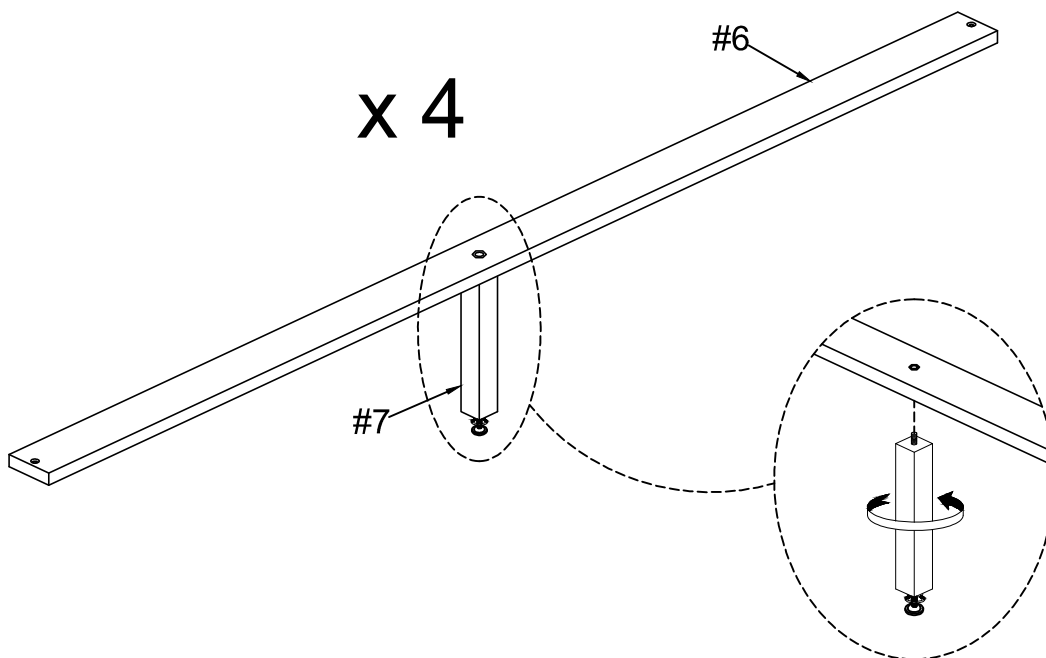


## 4

Part #6 x1pc

Part #7 x2pcs

Attach the Slat support leg (#7) to the Slat (#6).

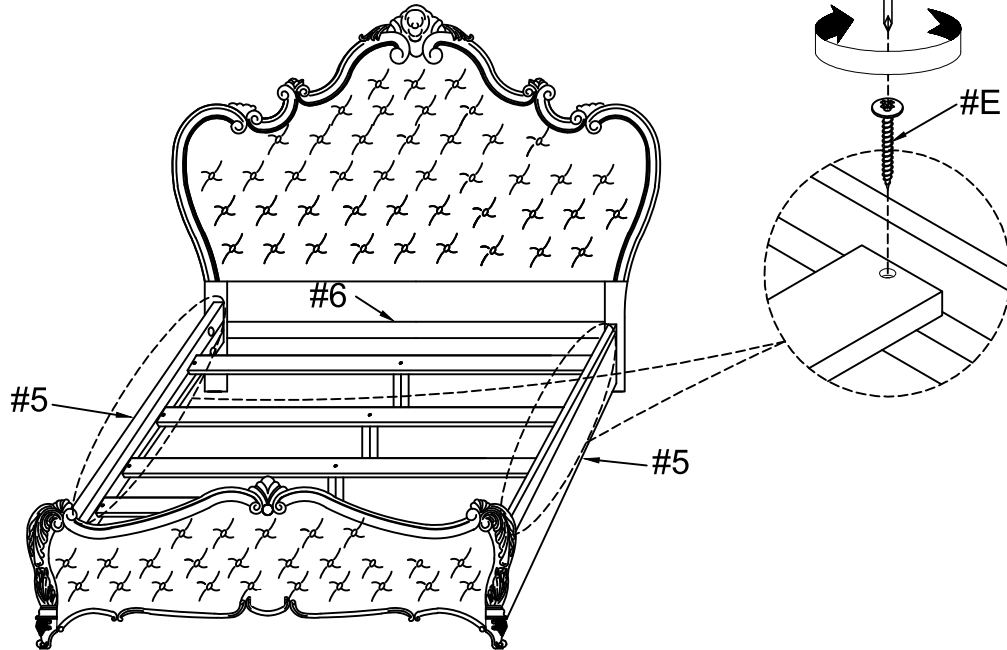


# ASSEMBLY INSTRUCTIONS

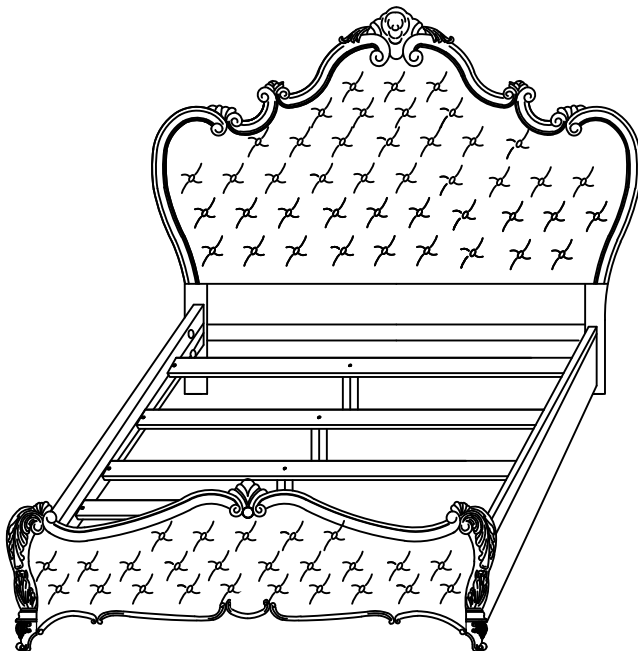
5

Hardware (#E) x8pcs

Evenly place Slat (#6) over the rails and secure by using Screw (#E).



6



## ASSEMBLY COMPLETED



Please ensure the furniture rests on an even and flat surface. If the product wobbles or feels loose, double-check all bolts and/or screws are properly tightened and secured.



### Keep this handy!

Please retain this instruction manual and any order-related information for future reference.



### Lift, don't drag!

To avoid damage to product please always LIFT the product when transporting or adjusting the placement.

This product is intended for RESIDENTIAL USE ONLY and not for commercial use.