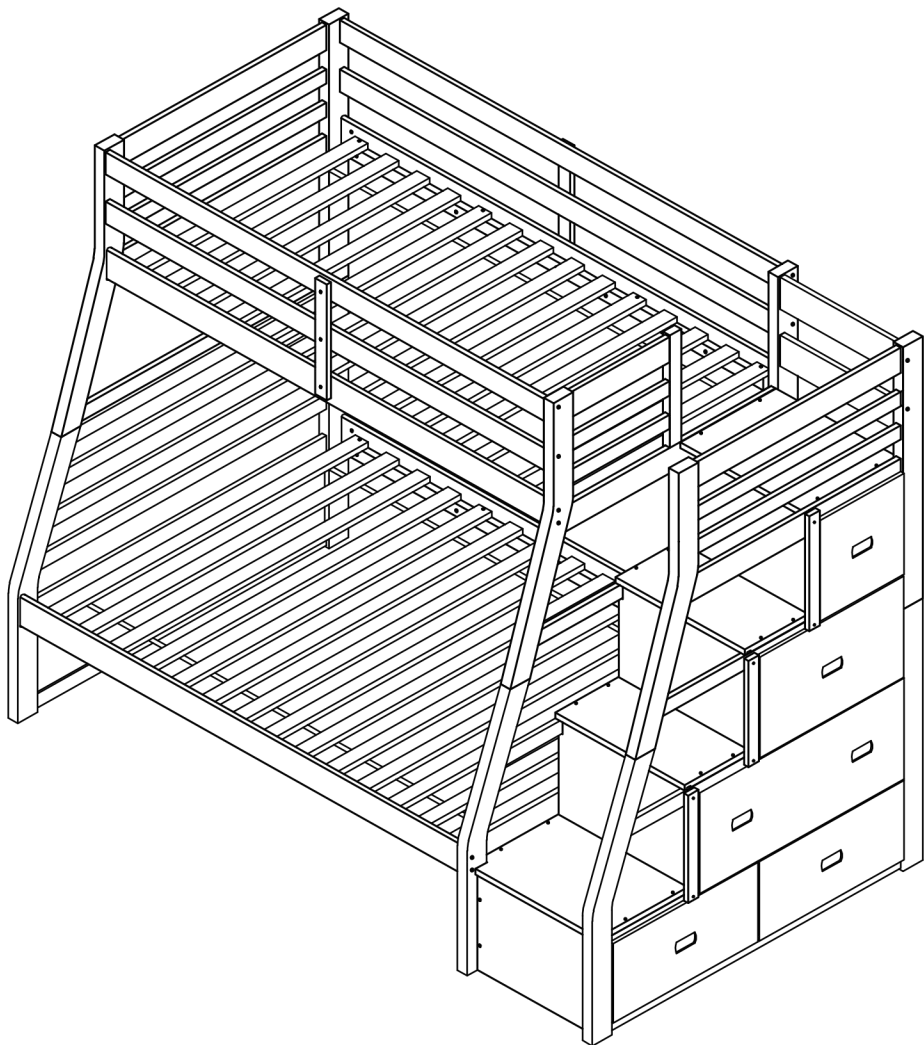


ASSEMBLY INSTRUCTIONS



TOOLS REQUIRED



Allen Wrench

(Included)



Phillips
Screwdriver

(Not Included)



2 - People
Recommended

ASSEMBLY RATING



EASY ————— DIFFICULT

The Assembly Rating is a 5-point system showing the level of effort needed to assemble a specific product.



CHECK BEFORE STARTING



Are you missing anything?

Double-check all parts, hardware and accessories listed on Page 6 are accounted for.



Should we send any replacements?

Are there any irregularities or flaws in the parts? We can send replacements!



Check out our Quick Tips!

We recommend reviewing the pre-assembly handouts. Even experts need a refresher now and then!

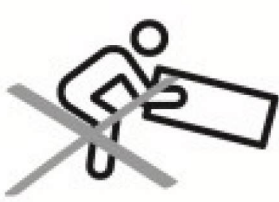


Prep Time!

Please review the assembly instructions and all diagrams prior to assembling. Set up your workspace by laying the parts and hardware out separately, then begin!

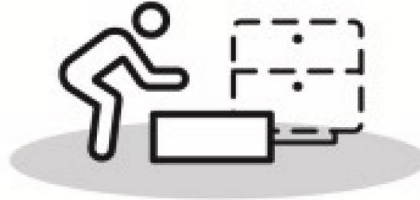
PRE ASSEMBLY INTRODUCTION

We understand building ready-to-assemble furniture can be a challenging experience for some. To help avoid confusion, we have provided some helpful tips that may speed up the process.



Teamwork

ALWAYS have at least two people to help with transporting and assembling the product to avoid potential injury and/or damage.



Suitable Location

Assembling near the area of the intended location is highly recommended.



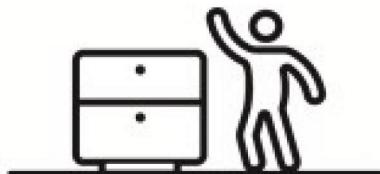
Sufficient Space

Make sure you have enough space to move around during the assembly.



Avoid Scratches

Use cardboard, blankets or a carpeted area while assembling furniture to prevent scratches.



Flat Surface

Make sure the furniture rests on a flat and level surface with each leg evenly touching the floor.

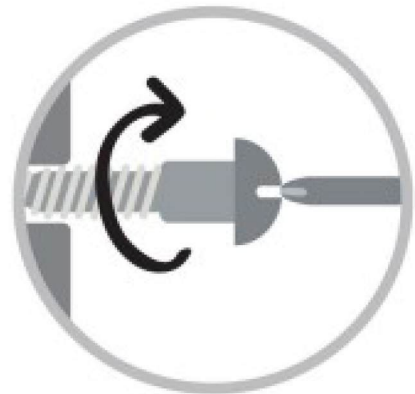
ASSEMBLY AND CARE ADVICE



FAILURE TO FOLLOW THE GUIDELINES BELOW MAY RESULT IN INJURY AND/OR PROPERTY DAMAGE.



Position each part correctly and insert screws or bolts into their respective holes.



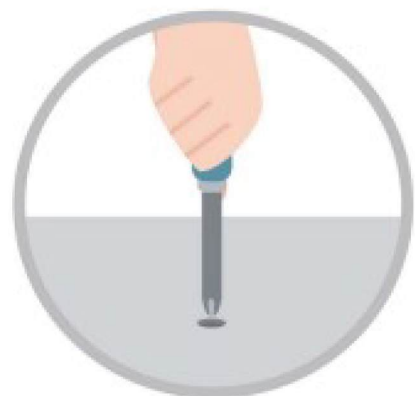
Turn clockwise to tighten and only tighten when step is completed or when instructed to do so.



Use the appropriate hand tools or power tools for assembly. Select steps, such as tightening screws and/or bolts, may require hand tools to avoid causing damage during assembly.



Save the instructions and store any supplied tools for later maintenance.



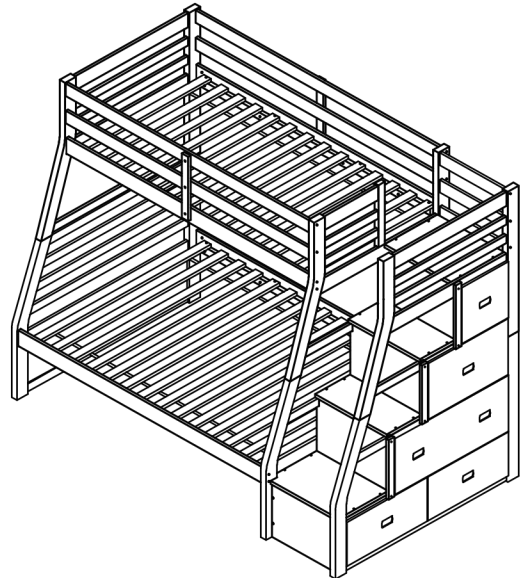
After two weeks, check and tighten any loose hardware and repeat again every six months thereafter.

IT IS THE USER'S RESPONSIBILITY TO MAINTAIN THE FURNITURE. THE HARDWARE MAY LOOSEN OVER TIME AND MAY CAUSE THE FURNITURE TO BE WOBBLY AND UNABLE TO SUPPORT ITS INTENDED WEIGHT CAPACITY. THIS MAY LEAD TO COLLAPSE AND MAY CAUSE SERIOUS INJURY.

BUNKBED

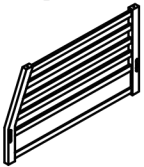


- Please keep instructions for future reference.
- Check the quantity and irregularity of parts and hardware before you start.



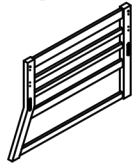
PARTS

#1 1pc



Lower End Guardrail

#2 1pc



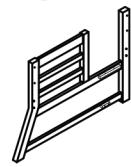
Upper End Guardrail

#3 1pc



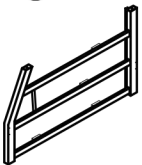
Lower End Guardrail

#4 1pc



Upper End Guardrail

#5 1pc



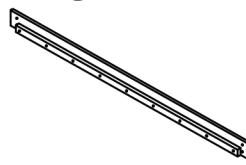
Lower End Guardrail

#6 1pc



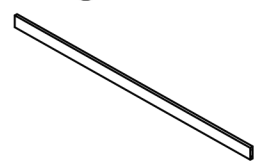
Upper End Guardrail

#7 4pcs



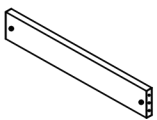
Upper/Lower Side Rail

#8 4pcs



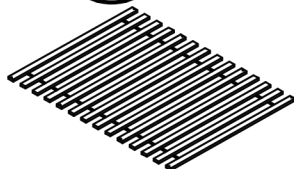
Back/Front Guardrail

#9 2pcs



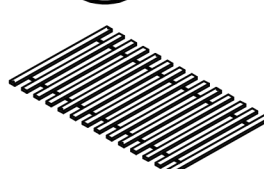
Back Guardrail

#10 1set



Full Slats Kit (14pcs)

#11 1set



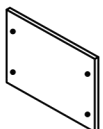
Twin Slats Kit (14pcs)

#12 2pcs



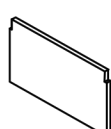
Guardrail Support

#13 1pc



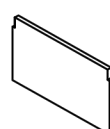
Cha Foot Plate

#14 1pc



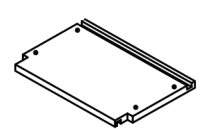
Cha Foot Plate

#15 2pcs



Cha Foot Plate

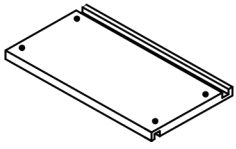
#16 1pc



Cha Foot Plate

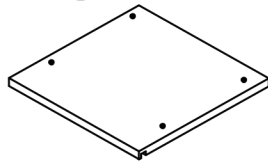
PARTS

#17 2pcs



Cha Foot Plate

#18 1pc



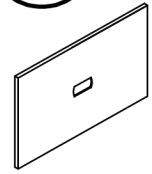
Cha Foot Plate

#19 1pc



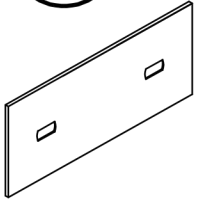
Front Board

#20 1pc



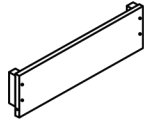
Front Board

#21 1pc



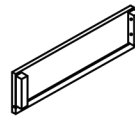
Front Board

#22 3pcs



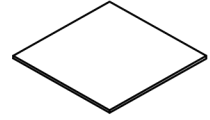
Right Board

#23 3pcs



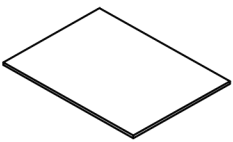
Left Board

#24 1pc



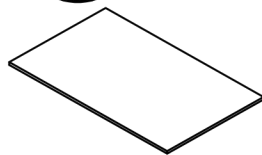
Bottom Board

#25 1pc



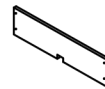
Bottom Board

#26 1pc



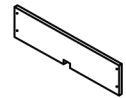
Bottom Board

#27 1pc



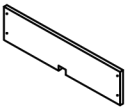
Back Board

#28 1pc



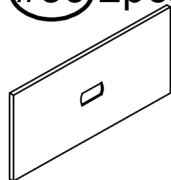
Back Board

#29 1pc



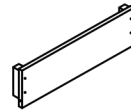
Back Board

#30 2pcs



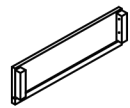
Front Board

#31 2pcs



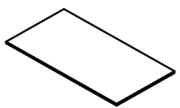
Right Board

#32 2pcs



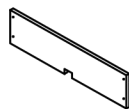
Left Board

#33 2pcs



Bottom Board

#34 2pcs



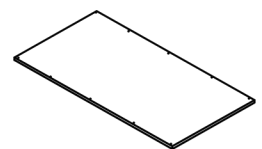
Back Board

#35 1pc



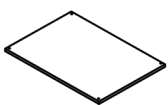
Wood Connection

#36 1pc



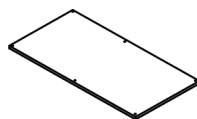
Back Plane

#37 1pc



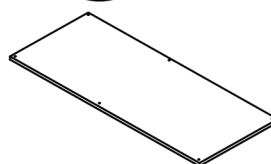
Back Plane

#38 1pc



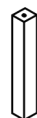
Back Plane

#39 1pc



Back Plane

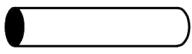
#40 4pcs



Support Leg

HARDWARE

#A 6pcs



Metal Dowel
Ø3/8" x 3-1/2"

#B 20pcs



Bolt
Ø1/4" x 3-1/4"

#C 4pcs



Half moon
Ø1/4"

#D 34pcs



Bolt
Ø1/4" x 1-1/8"

#E 8pcs



Screw
Ø1/4" x 3-1/4"

#F 2pcs



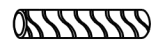
Allen Wrench
4mm

#G 6 SET



Bolt
Ø1/4" x 1"

#H 8pcs



Wood Dowel
Ø10x40mm

#I 98pcs



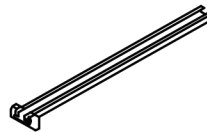
Screw
#4 x 35mm

#J 39pcs



Screw
#3.5 x 15mm

#K 5pcs



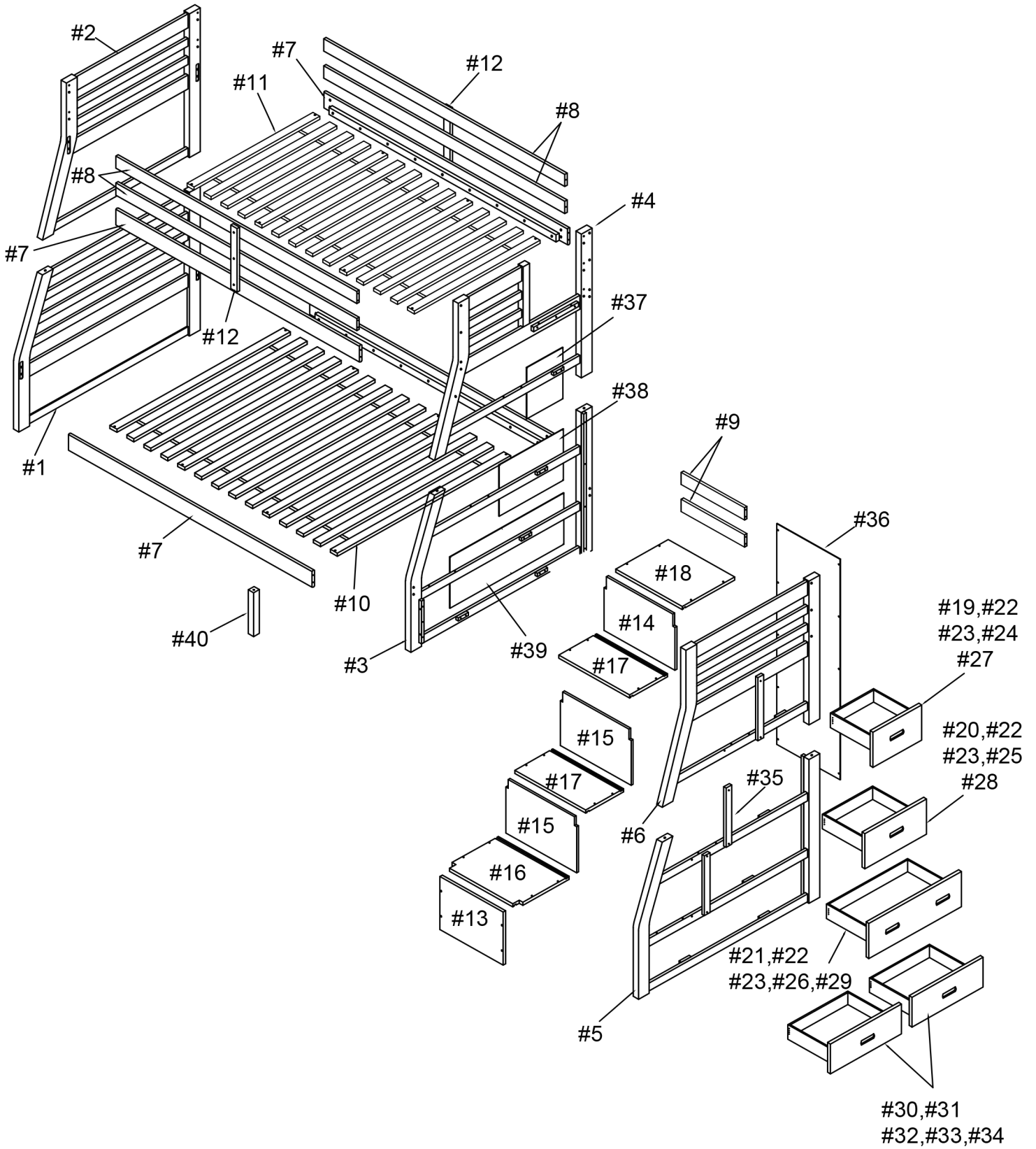
Scroll Bar

#L 5pcs


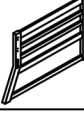




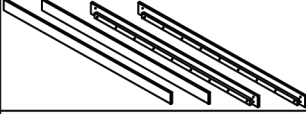










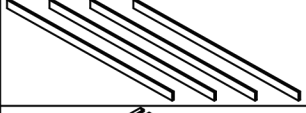
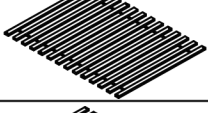
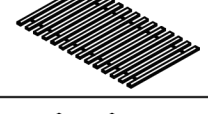
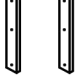

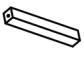
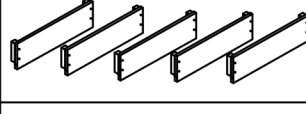
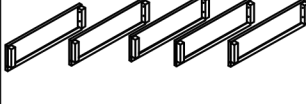


Scroll Bar

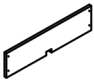
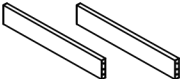
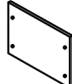
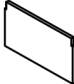

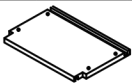

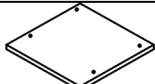


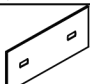
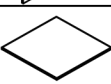
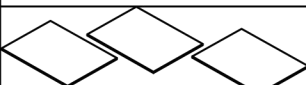
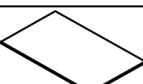

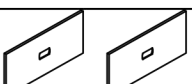


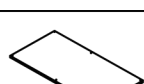
Exploded View



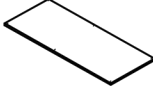
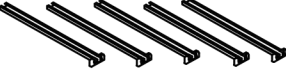

packed in 3 cases

Carton	Disignation	Part	Hardware	
	Lower End Guardrail	#1		
	Upper End Guardrail	#2		
	Lower End Guardrail	#3		
	Upper End Guardrail	#4		
	Lower End Guardrail	#5		
	Upper End Guardrail	#6		
	Upper/Lower Side Rail	#7		 #A x 6pcs  #B x 20pcs  #C x 4pcs  #D x 34pcs  #E x 8pcs  #F x 2pcs  #G x 6pcs  #H x 8pcs  #I x 98pcs  #J x 39pcs
	Back/Front Guardrail	#8		
	Full Slats Kit	#10		
	Twin Slats Kit	#11		
	Guardrail Support	#12		
	Wood Connection	#35		
	Support Leg	#40		
	Right Board	#22 #31		
	Left Board	#23 #32		

packed in 3 cases

Carton	Disignation	Part	Hardware
	Back Board	#27 	
	Back Guardrail	#9 	
	Cha Foot Plate	#13 	
	Cha Foot Plate	#14 	
	Cha Foot Plate	#15 	
	Cha Foot Plate	#16 	
	Cha Foot Plate	#17 	
	Cha Foot Plate	#18 	
	Front Board	#19 	
	Front Board	#20 	
	Front Board	#21 	
	Bottom Board	#24 	
	Bottom Board	#25 #33 	
	Bottom Board	#26 	
	Back Board	#28 #29 #34 	
	Front Board	#30 	
	Back Plane	#36 	
	Back Plane	#37 	
	Back Plane	#38 	

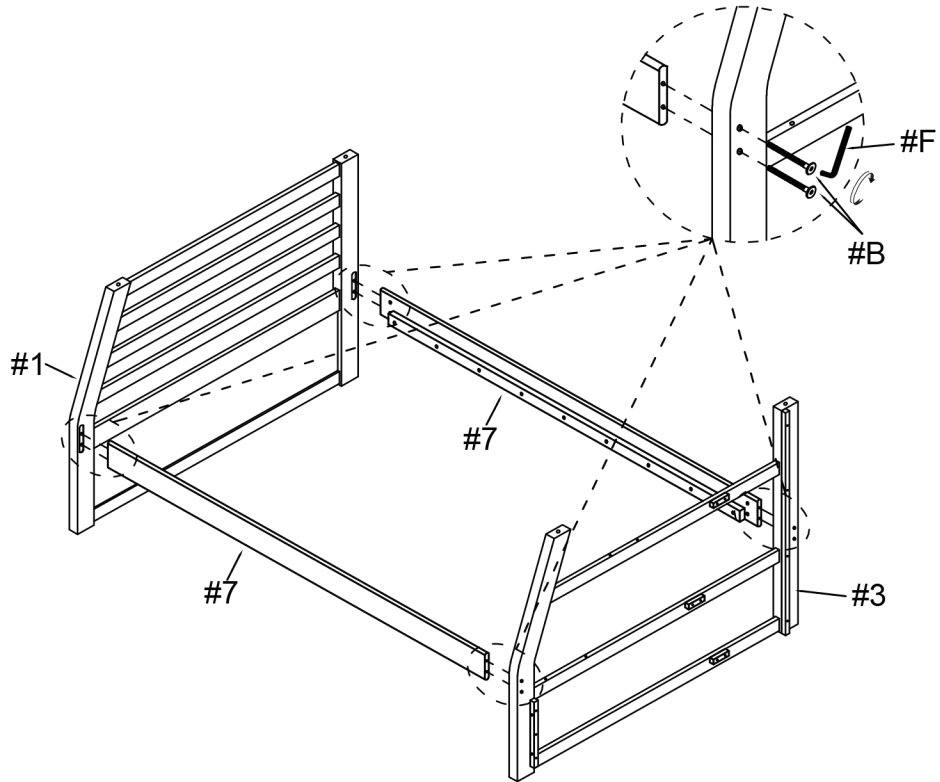
packed in 3 cases

Carton	Disignation	Part		Hardware
	Back Plane	#39		
	Scroll Bar	#K		
	Scroll Bar	#L		

ASSEMBLY INSTRUCTIONS

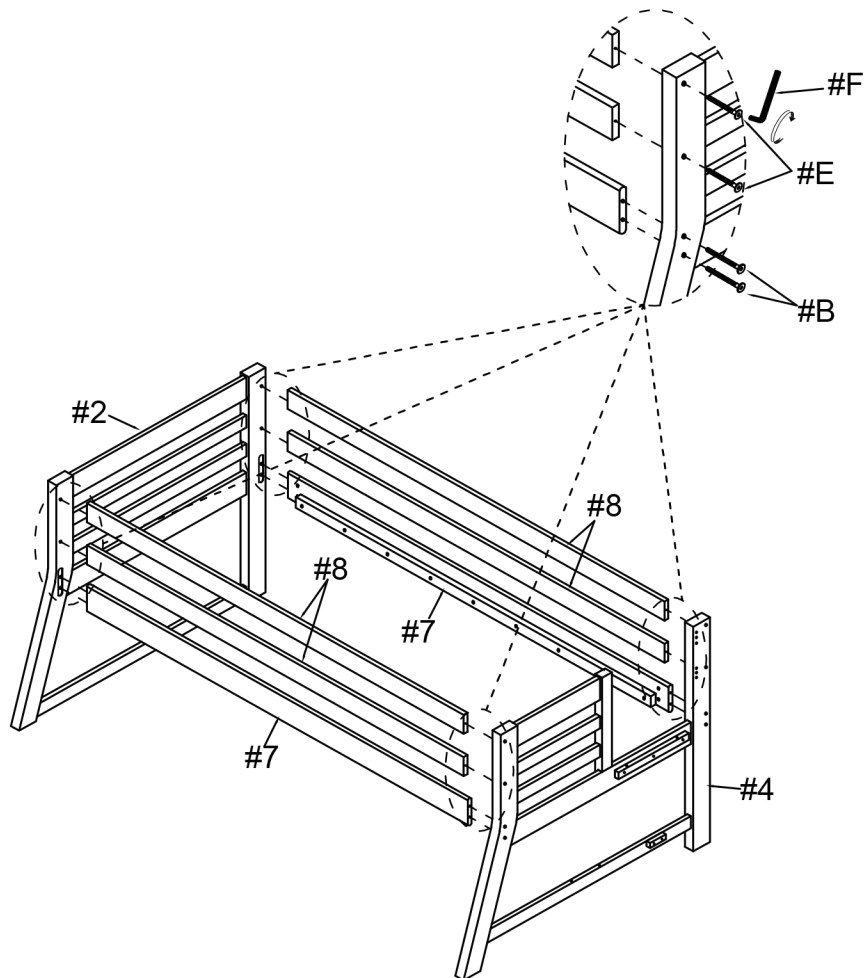
1

- Part #1 x1pc
- Part #3 x1pc
- Part #7 x2pcs
- Hardware #B x8pcs



2

- Part #2 x1pc
- Part #4 x1pc
- Part #7 x2pcs
- Part #8 x4pcs
- Hardware #B x8pcs
- Hardware #E x8pcs

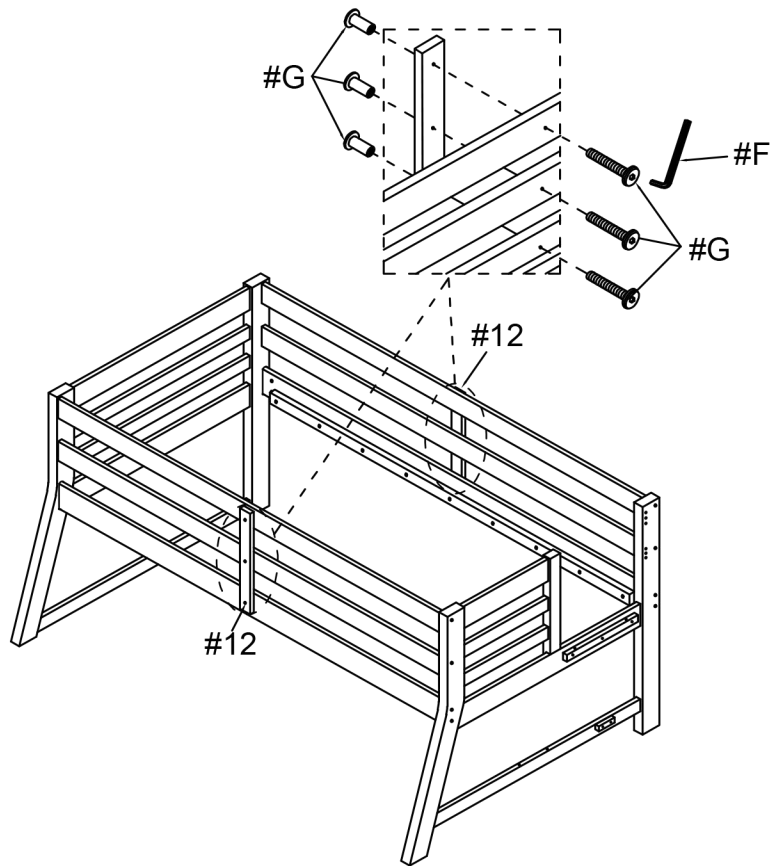


ASSEMBLY INSTRUCTIONS

3

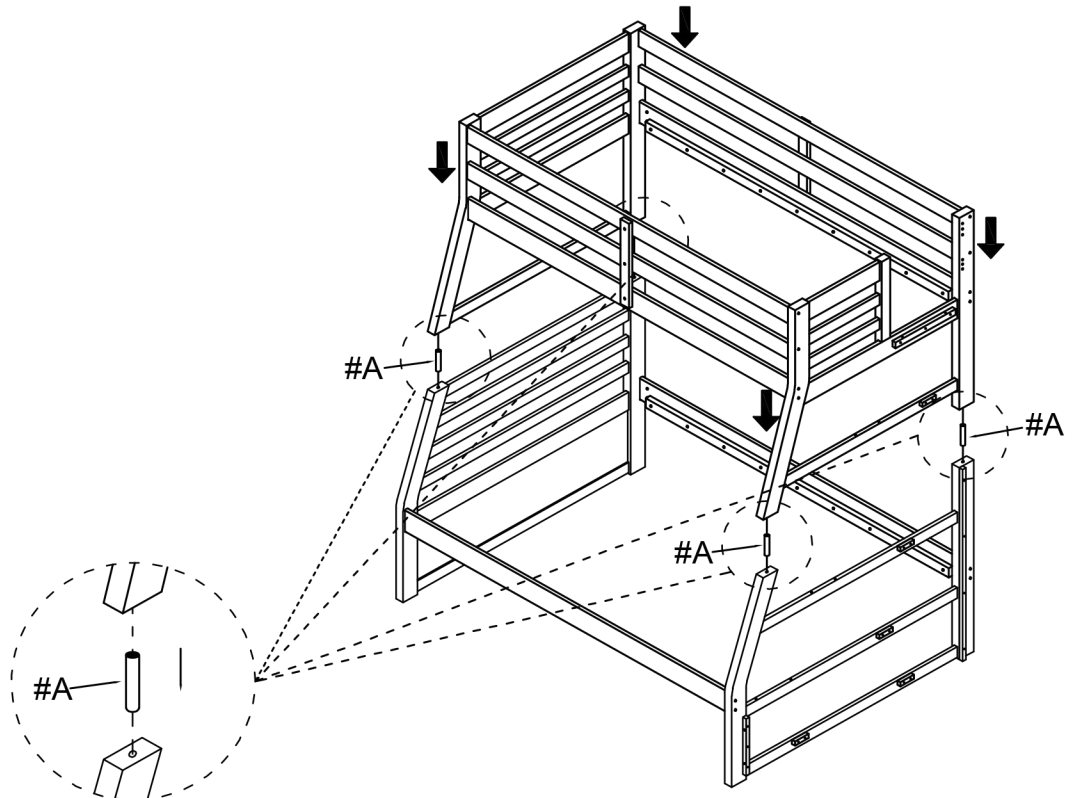
Part #12 x2pcs

Hardware #G x6pcs



4

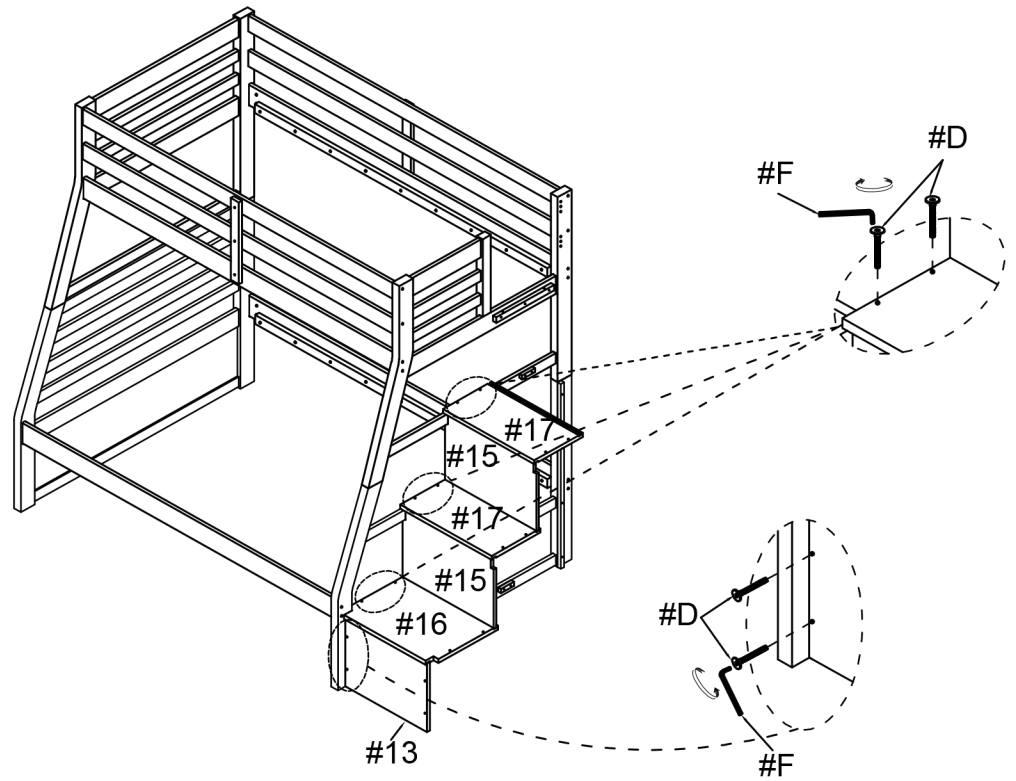
Hardware #A x4pcs



ASSEMBLY INSTRUCTIONS

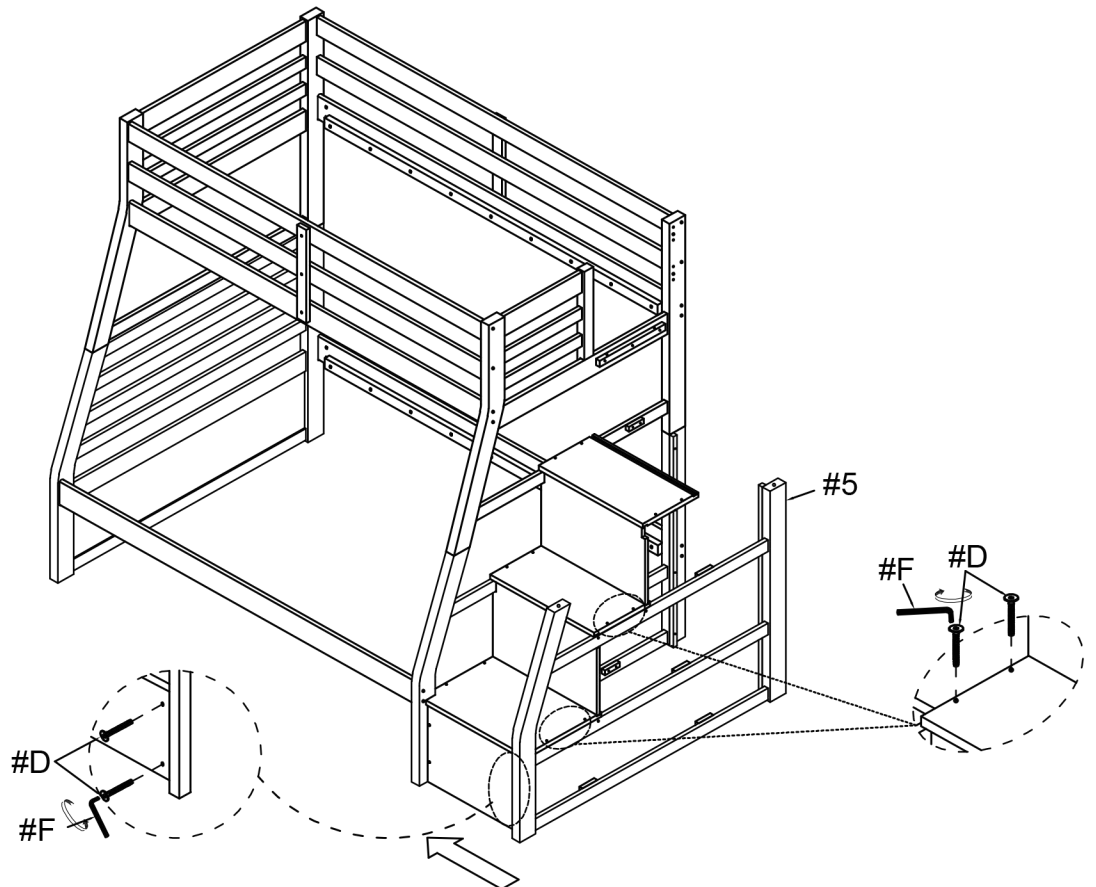
5

- Part #13 x1pc
- Part #15 x2pcs
- Part #16 x1pc
- Part #17 x2pcs
- Hardware #D x8pcs



6

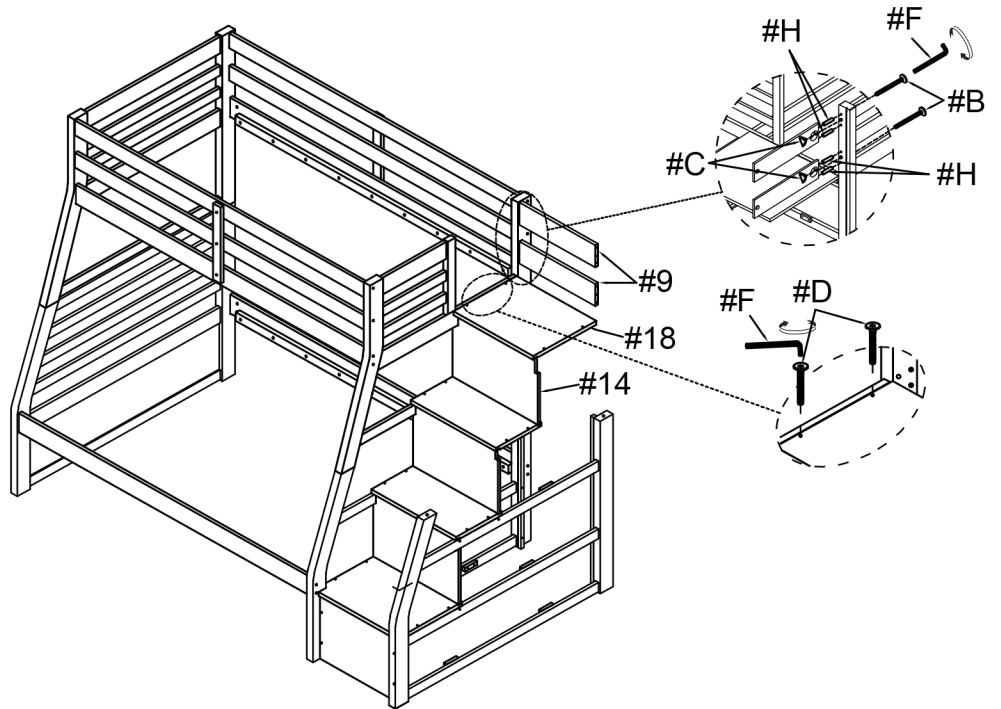
- Part #5 x1pc
- Hardware #D x6pcs



ASSEMBLY INSTRUCTIONS

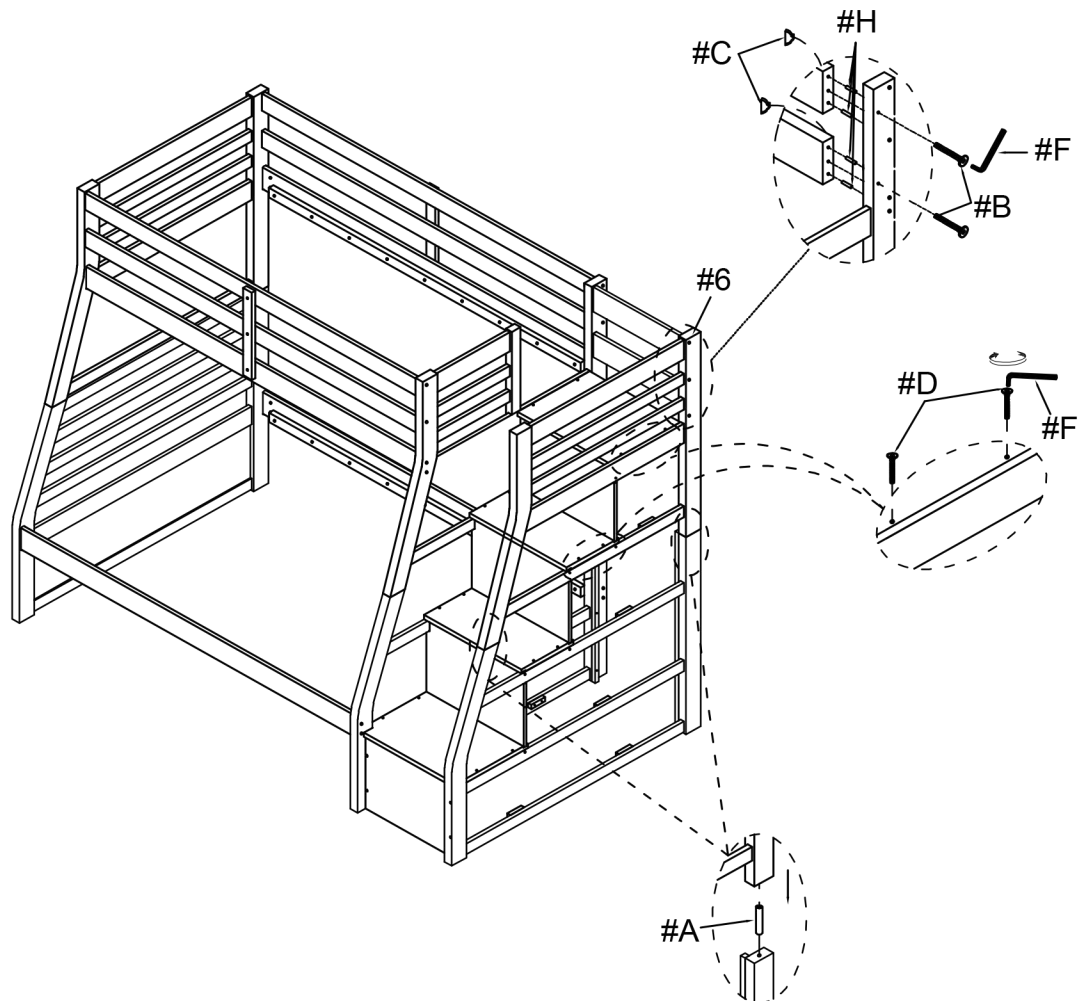
7

- Part #9 x2pcs
- Part #14 x1pc
- Part #18 x1pc
- Hardware #B x2pcs
- Hardware #C x2pcs
- Hardware #D x2pcs
- Hardware #H x8pcs



8

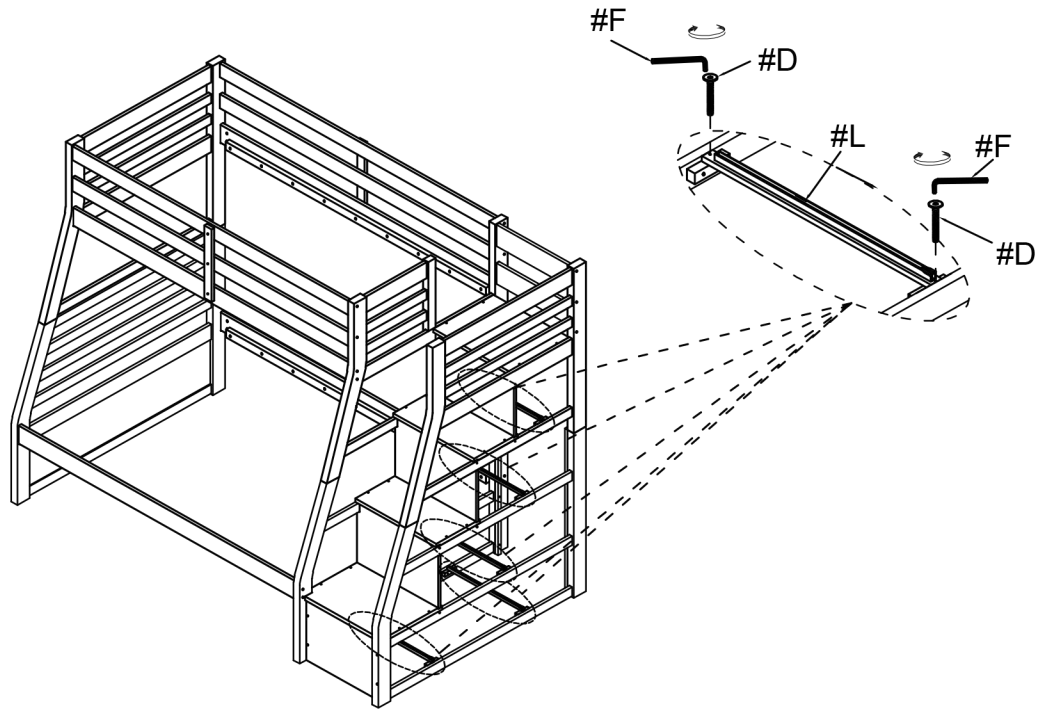
- Part #6 x1pc
- Hardware #A x2pcs
- Hardware #B x2pcs
- Hardware #C x2pcs
- Hardware #D x4pcs
- Hardware #H x4pcs



ASSEMBLY INSTRUCTIONS

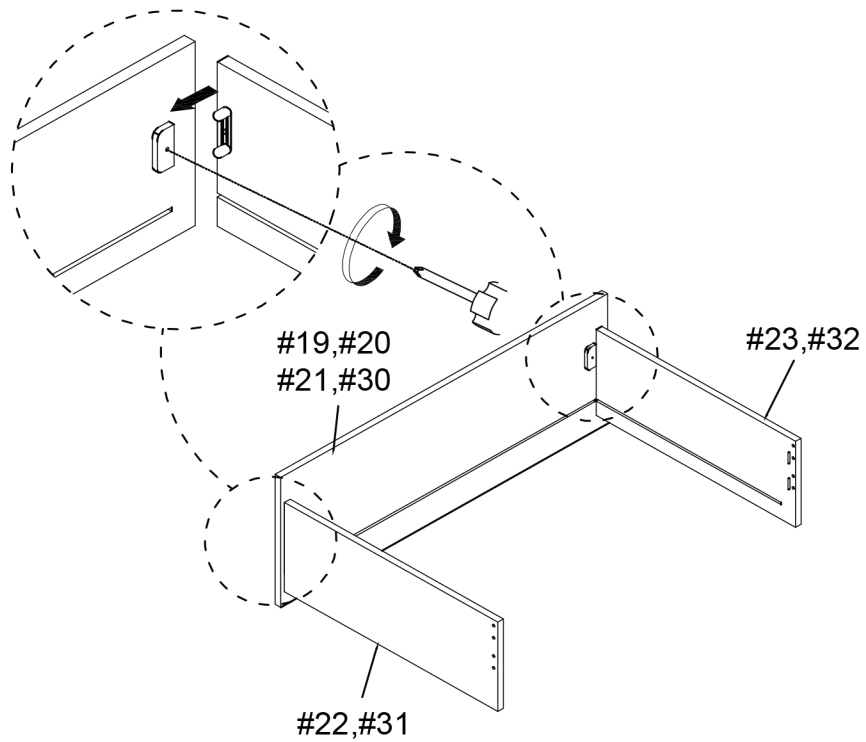
9

- Hardware #D x10pcs
- Hardware #L x5pcs
- Hardware #J x10pcs
- Hardware #M x5pcs



10

- Part #19 x1pc
- Part #20 x1pc
- Part #21 x1pc
- Part #22 x2pcs
- Part #23 x2pcs
- Part #30 x1pc
- Part #31 x2pcs
- Part #32 x2pcs

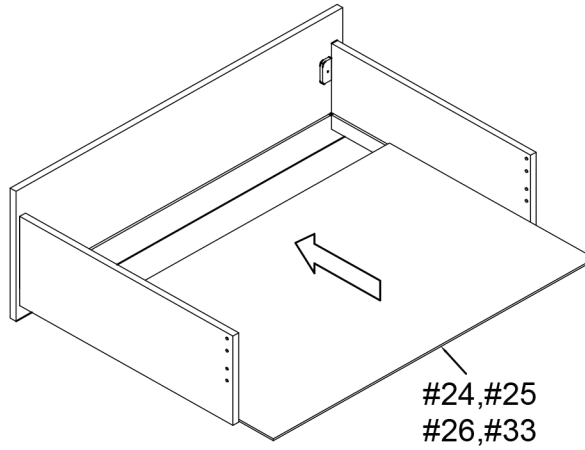


X5

ASSEMBLY INSTRUCTIONS

11

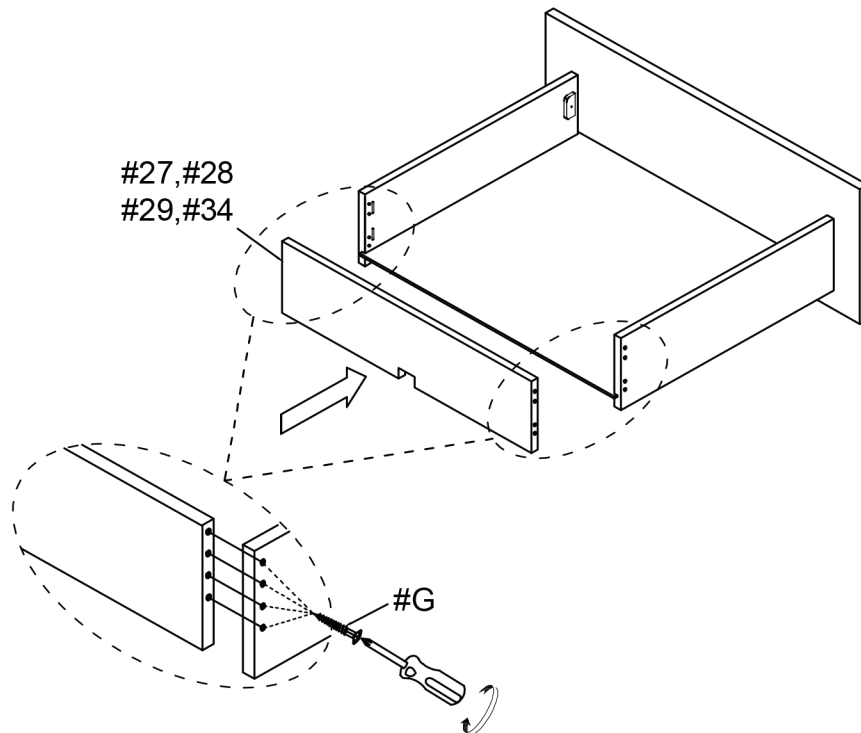
- Part #24 x1pc
- Part #25 x1pc
- Part #26 x1pc
- Part #33 x1pc



X5

12

- Part #27 x1pc
- Part #28 x1pc
- Part #29 x1pc
- Part #34 x1pc
- Hardware #I x8pcs

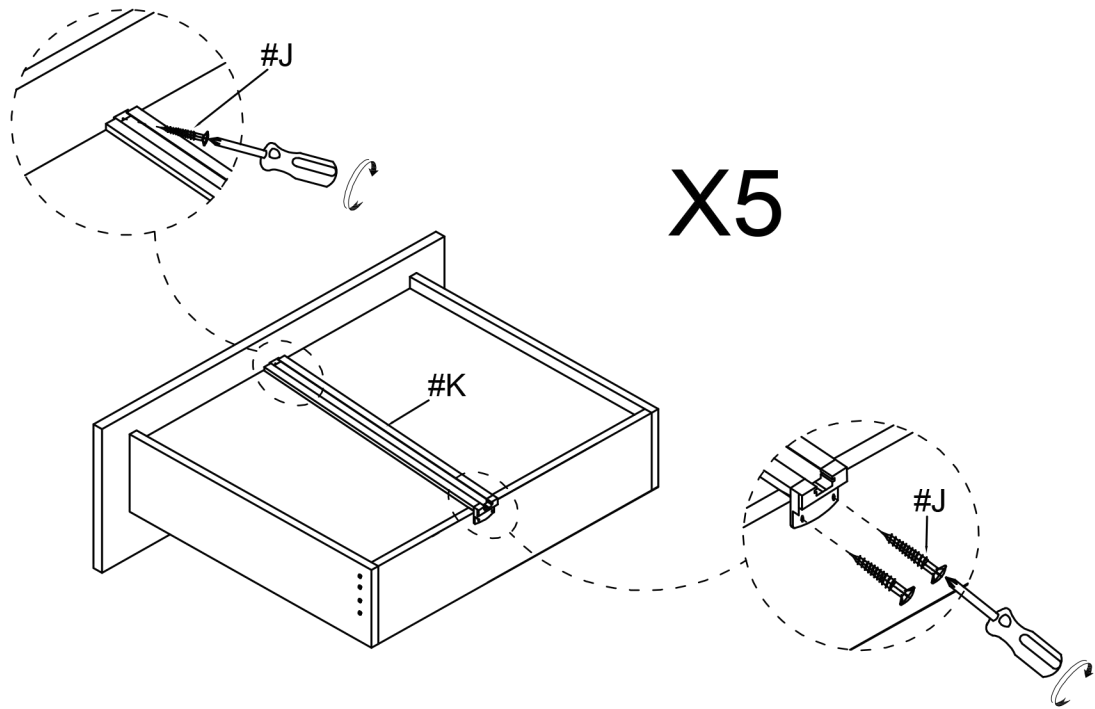


X5

ASSEMBLY INSTRUCTIONS

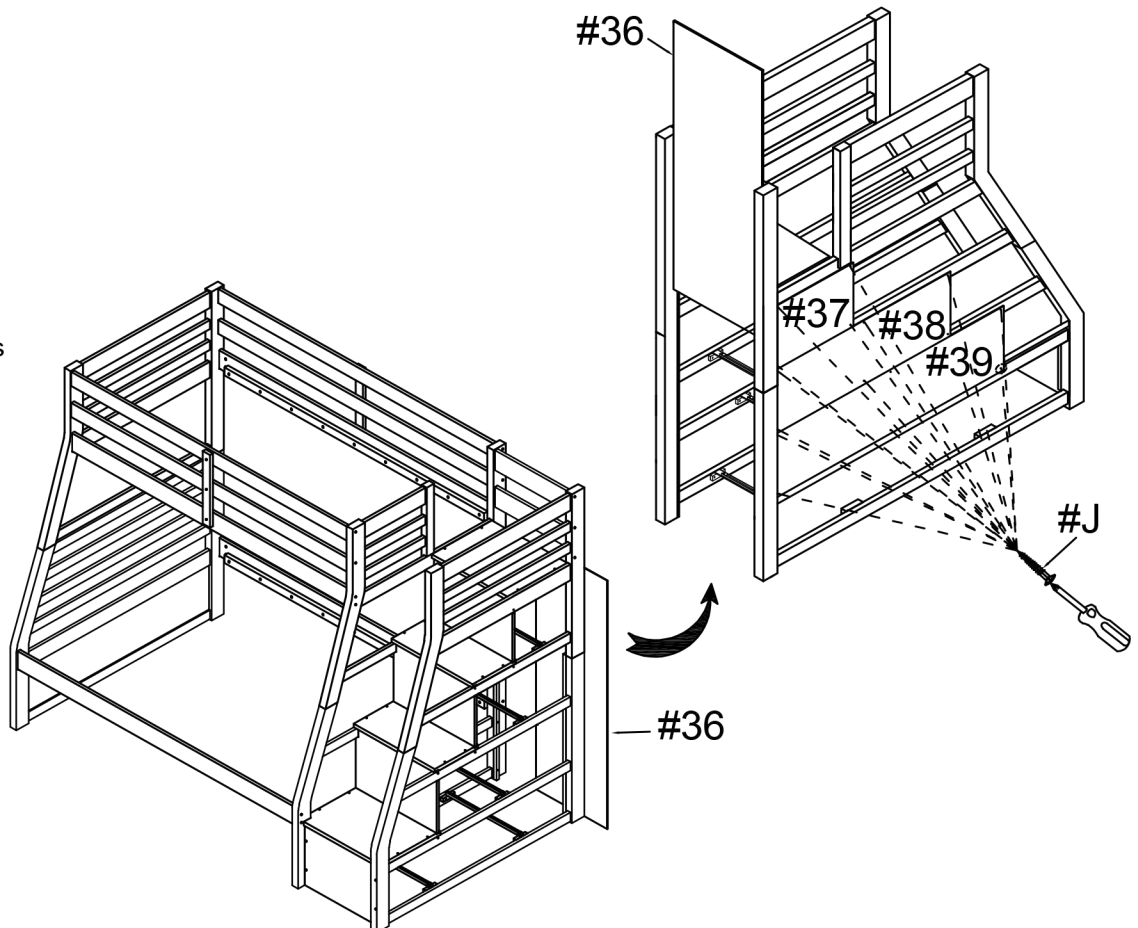
13

Hardware **#J** x3pcs
Hardware **#K** x1pc



14

Part **#36** x1pc
Part **#37** x1pc
Part **#38** x1pc
Part **#39** x1pc
Hardware **#J** x24pcs

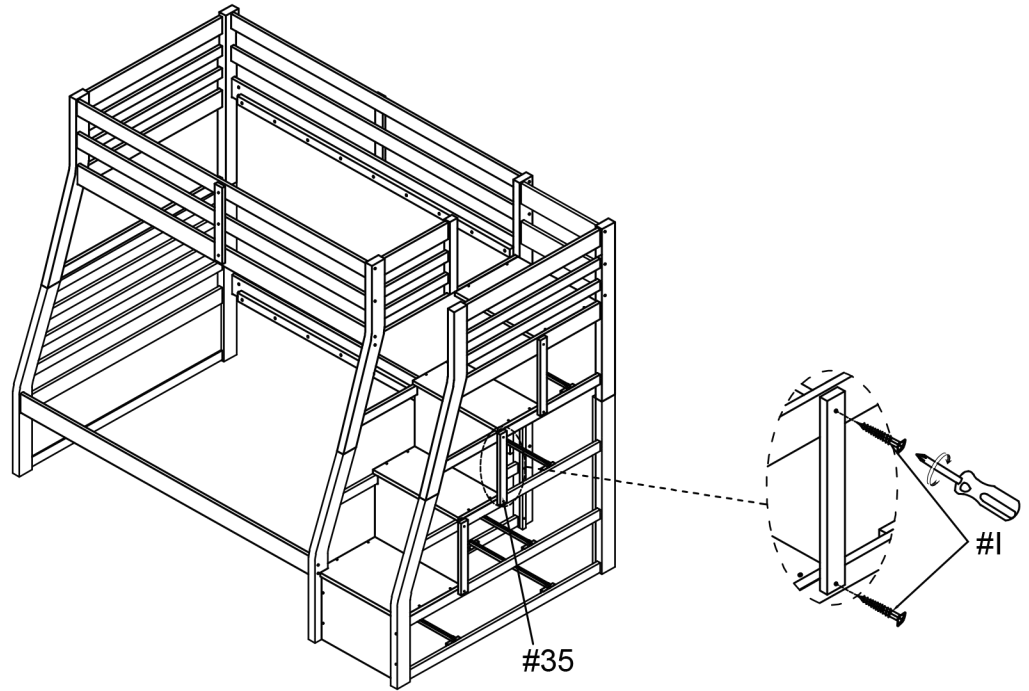


ASSEMBLY INSTRUCTIONS

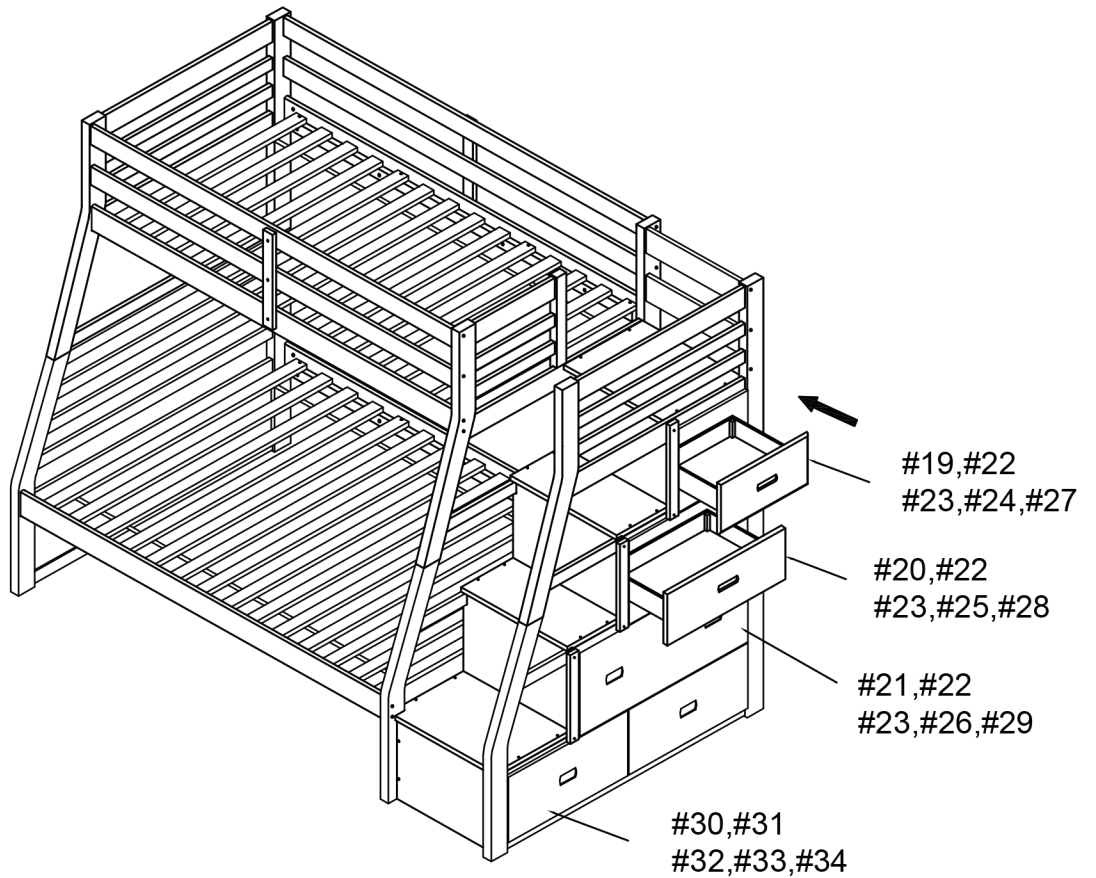
15

Part #35 x1pc

Hardware #1 x2pcs



16



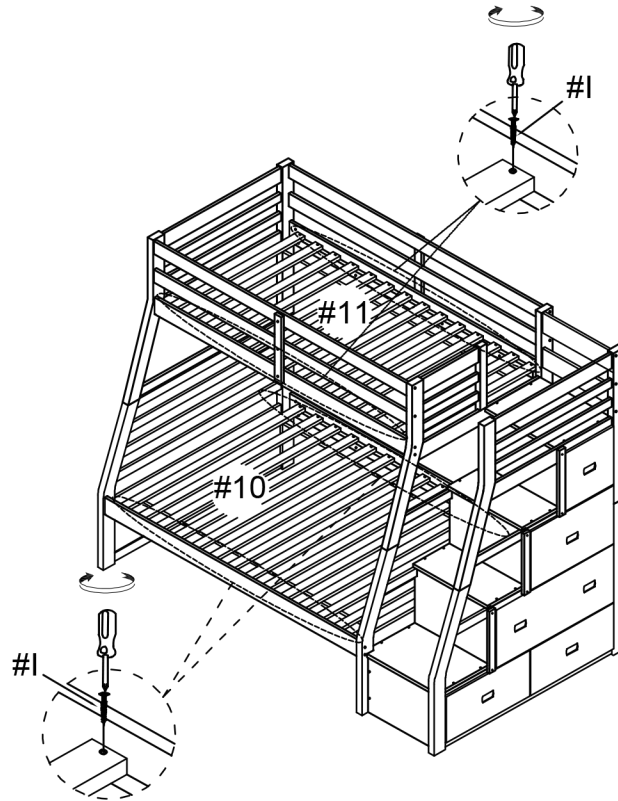
ASSEMBLY INSTRUCTIONS

17

Part #10 x1set

Part #11 x1set

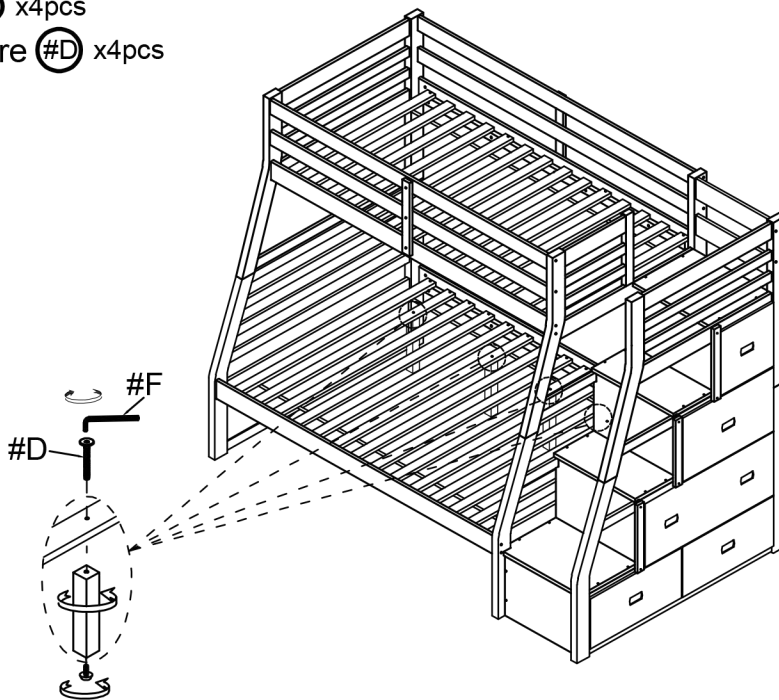
Hardware #1 x56pcs



18

Part #40 x4pcs

Hardware #D x4pcs



ASSEMBLY COMPLETED



Please ensure the furniture rests on an even and flat surface. If the product wobbles or feels loose, double-check all bolts and/or screws are properly tightened and secured.



Keep this handy!

Please retain this instruction manual and any order-related information for future reference.



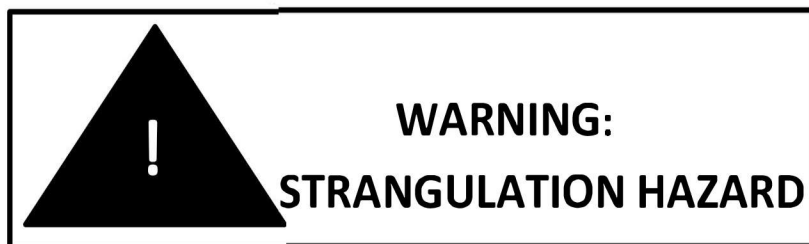
Lift, don't drag!

To avoid damage to product please always LIFT the product when transporting or adjusting the placement.

This product is intended for RESIDENTIAL USE ONLY and not for commercial use.

Safety Warnings for Bunk Beds

1. Read and follow the information on the WARNING labels shown on the end structure of the upper bunk and on the carton.
2. Do not remove warning labels from the bed.
3. Keep these instructions for future use.
4. **IMPORTANT:** Must use Bunkie mattress or Bunkie board. The proper sizes for the UPPER/LOWER TWIN-SIZE Bunkie mattress or Bunkie board should be 74"- 75" long and 37 ½" - 38 ½" wide with no more than 6" thickness and for the UPPER/LOWER FULL -SIZE should be 74"-75" long and 53" – 54" wide with no more than 6" thickness.
5. Surface of mattress must be at least 5 inches (127 mm) BELOW the upper edge of the guardrails.
6. The **MAXIMUM** weight capacity for the upper bunk is not to exceed 150 lbs.
7. Do not allow children under 6 years of age to use the upper bunk.
8. Periodically check and ensure that the guardrails, ladder, handle and other components are in their proper position, free from damage, and that all connectors are tightened and secured.
9. **DO NOT** allow horseplay, rough playing, or jumping on the beds and do not allow playing or hiding under the beds.
10. Always use the ladder for entering or leaving the upper bunk.
11. Do not use substitute parts. Contact the manufacturer or dealer for replacement parts.
12. Use of a nightlight may provide added safety precaution for a person using the upper bunk.
13. Always use the guardrails on both sides of the upper bunk.
14. If the bunk bed will be placed next to a wall, the guardrail that runs the full length of the bed should be placed against the wall to prevent entrapment between the bed and the wall.
15. The use of water or sleep flotation mattresses is prohibited.
16. No more than one person is allowed on the upper bunk at all times.
17. Always use the recommended size mattresses or mattress supports, or both, to help prevent the like likelihood of entrapment or falls.



Objects such as, but not limited to, hanger, hooks, belts, bag, rope strings, etc. should not be hanged or used on or around the bunk bed.

Replacement Parts:

Replacement parts may be obtained from your Furniture of America dealer.

Distributed by:
Furniture of America
680 S. Lemon Avenue
City of Industry, CA 91789