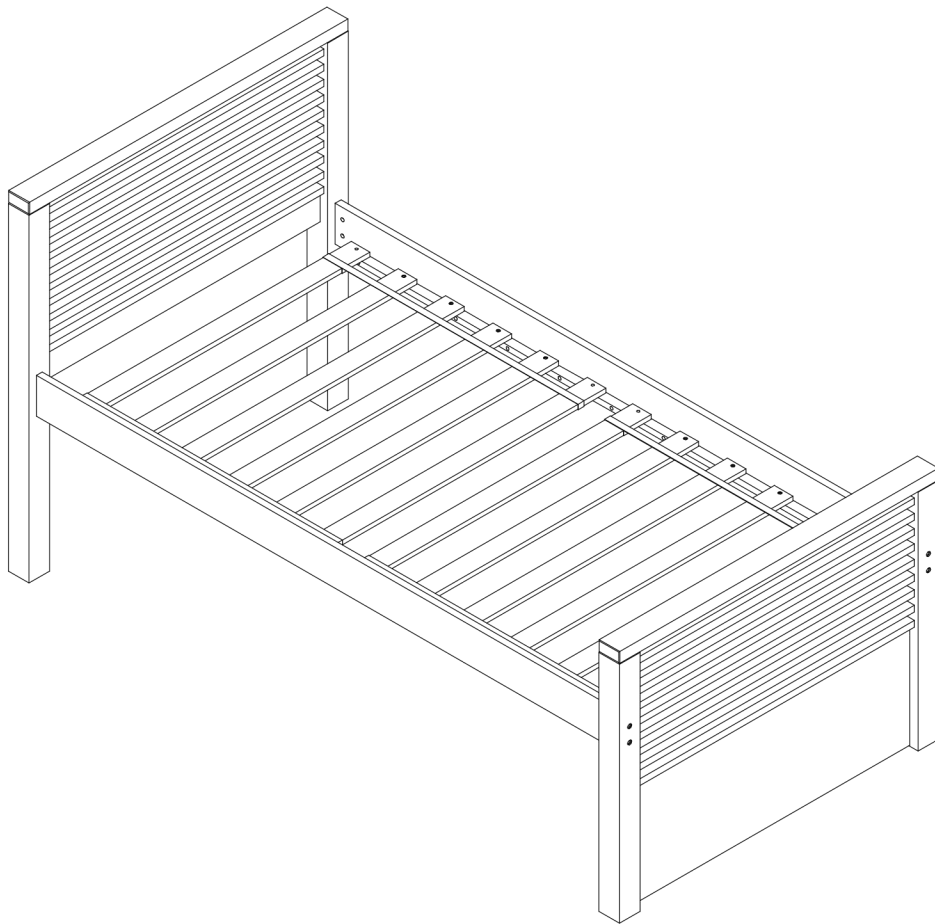


ASSEMBLY INSTRUCTIONS



TOOLS REQUIRED

Allen Wrench
(Included)



Phillips
Screwdriver
(Not Included)



2 - People
Recommended

ASSEMBLY RATING



EASY → DIFFICULT

The Assembly Rating is a 5-point system showing the level of effort needed to assemble a specific product.



CHECK BEFORE STARTING

Are you missing anything?

Double-check all parts, hardware and accessories listed are all accounted for.

Check out our Quick Tips!

We recommend reviewing the pre-assembly handouts. Even experts need a refresher now and then!

Should we send any replacements?

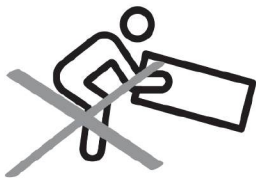
Are there any irregularities or flaws in the parts? We can send replacements!

Prep Time!

Please review the assembly instructions and all diagrams prior to assembling.

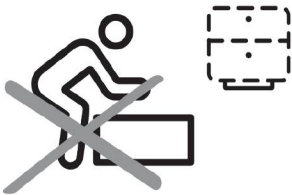
PRE ASSEMBLY INTRODUCTION

We understand building ready-to-assemble furniture can be a challenging experience for some. To help avoid confusion, we have provided some helpful tips that may speed up the process.



Teamwork

ALWAYS have at least two people to help with transporting and assembling the product to avoid potential injury and/or damage.



Suitable Location

Assembling near the area of the intended location is highly recommended.



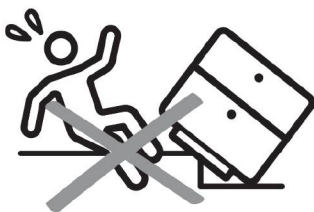
Sufficient Space

Make sure you have enough space to move around during the assembly.



Avoid Scratches

Use cardboard, blankets or a carpeted area while assembling furniture to prevent to prevent scratches and damages.



Flat Surface

Make sure the furniture rests on a flat and level surface with each leg evenly touching the floor.

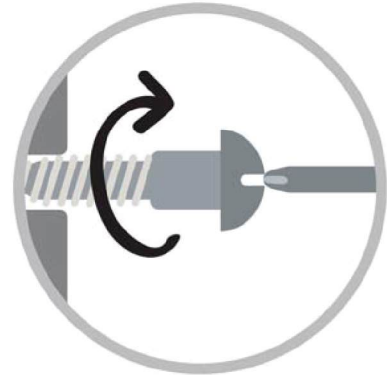
ASSEMBLY AND CARE ADVICE



FAILURE TO FOLLOW THE GUIDELINES BELOW MAY RESULT IN INJURY AND/OR PROPERTY DAMAGE.



Position each part correctly and insert screws or bolts into their respective holes.



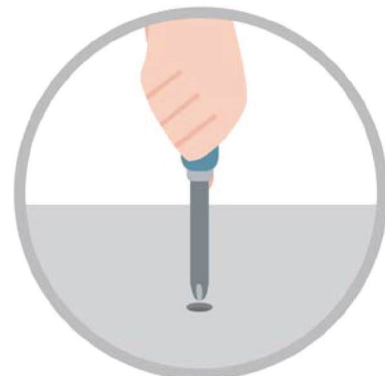
Turn clockwise to tighten and only tighten when step is completed or when instructed to do so.



Use the appropriate hand tools or power tools for assembly. Select steps, such as tightening screws and/or bolts, may require hand tools to avoid causing damage during assembly.



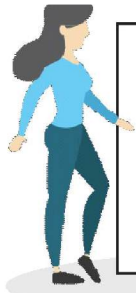
Save the instructions and store any supplied tools for later maintenance.



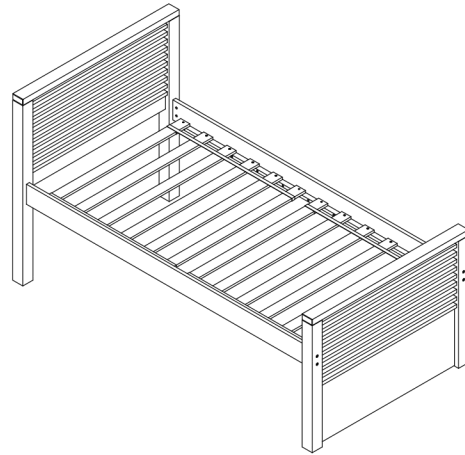
After two weeks, check and tighten any loose hardware and repeat again every six months thereafter.

IT IS THE USER'S RESPONSIBILITY TO MAINTAIN THE FURNITURE. THE HARDWARE MAY LOOSEN OVER TIME AND MAY CAUSE THE FURNITURE TO BE WOBBLY AND UNABLE TO SUPPORT ITS INTENDED WEIGHT CAPACITY. THIS MAY LEAD TO COLLAPSE AND MAY CAUSE SERIOUS INJURY.

BED

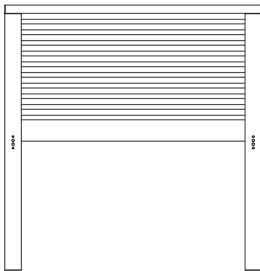


- Please keep instructions for future reference.
- Check the quantity and irregularity of parts and hardware before you start.



PARTS

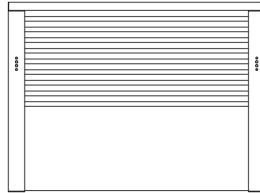
(A)



HEADBOARD

1 pc.

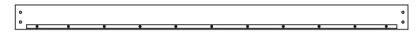
(B)



FOOTBOARD

1 pc.

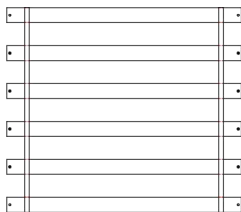
(C)



SIDE RAIL

2 pcs.

(D)

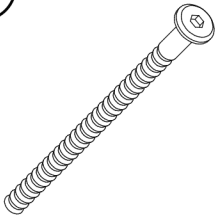


SLAT

2 sets

HARDWARE

①



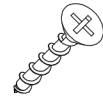
JCBC M6 x 100mm
8 pcs.

②



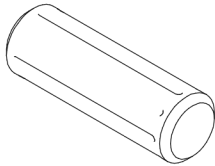
JCBC-W M6 x 28mm
8 pcs.

③



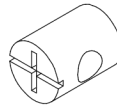
WOOD SCREW 4.0 x 28mm
16 pcs.

④



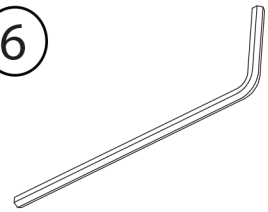
WOOD DOWEL Ø10 x 30mm
8 pcs.

⑤



BARREL NUT M6 x 13mm
8 pcs.

⑥



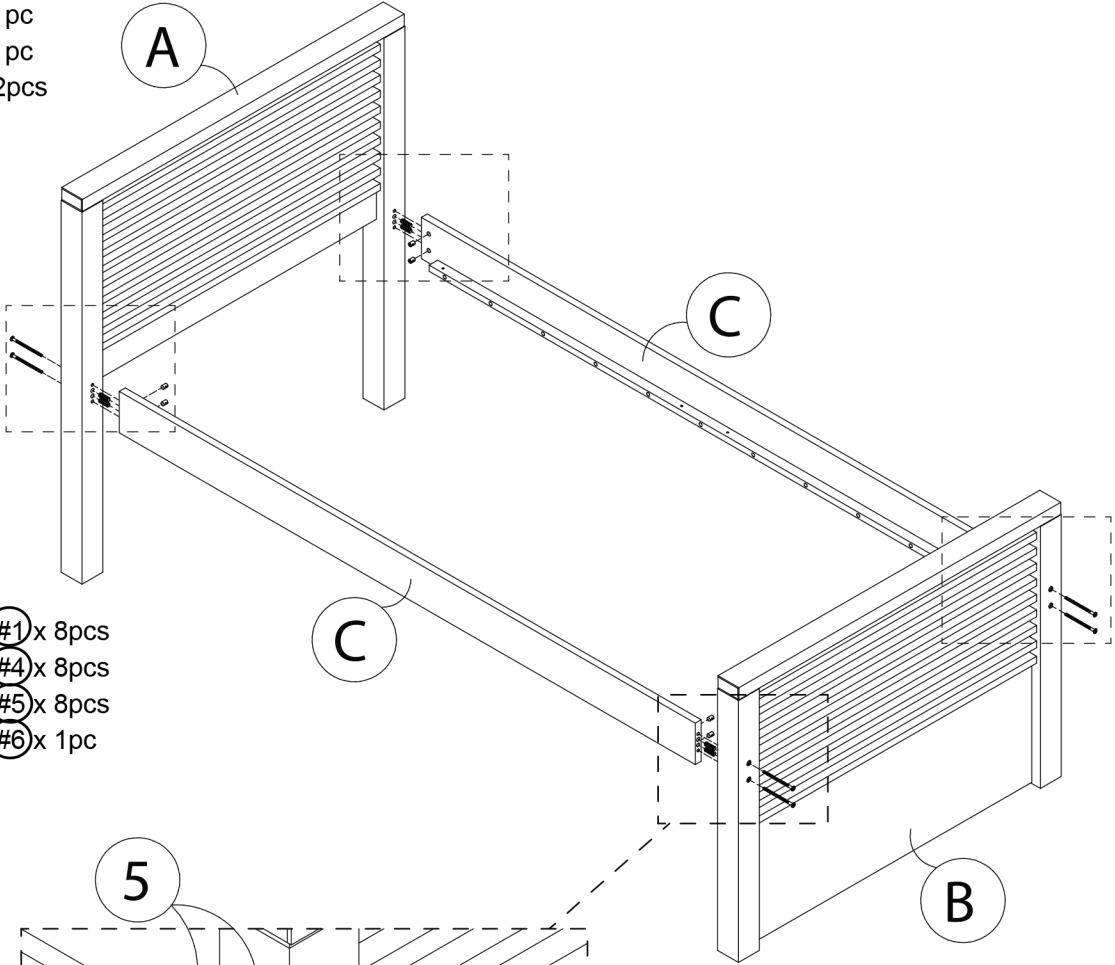
ALLEN KEY
1 pc.

ASSEMBLY INSTRUCTIONS

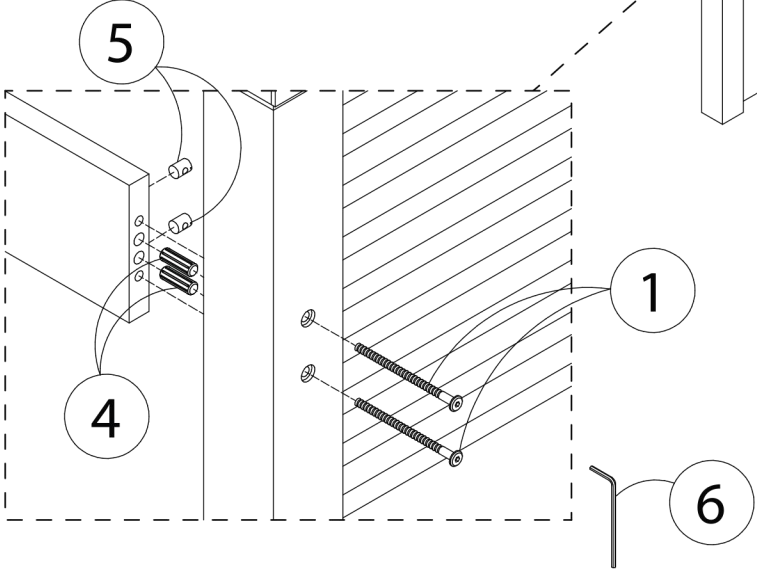
Prepare the Side rails (#C) by inserting the Barrel nut into holes. Attach the Wood dowel (#4) to the Headboard (#A) and Footboard (#B). Use the wood dowels to align the Side rails (#C) to the Headboard (#A) and Footboard (#B). Secure with JCBC Bolt (#1).

1

- Part (#A) x 1pc
- Part (#B) x 1pc
- Part (#C) x 2pcs



- Hardware (#1) x 8pcs
- Hardware (#4) x 8pcs
- Hardware (#5) x 8pcs
- Hardware (#6) x 1pc

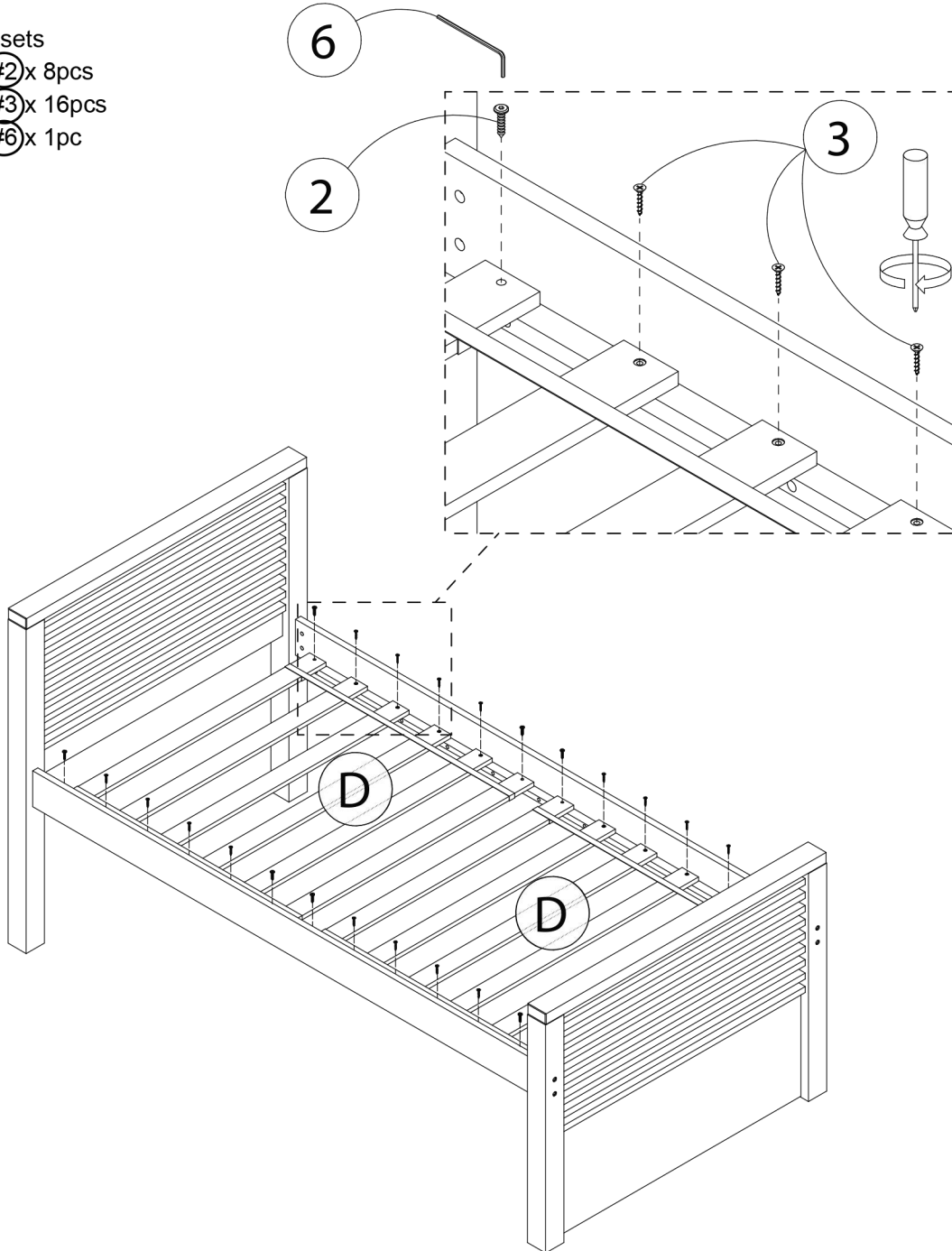


ASSEMBLY INSTRUCTIONS

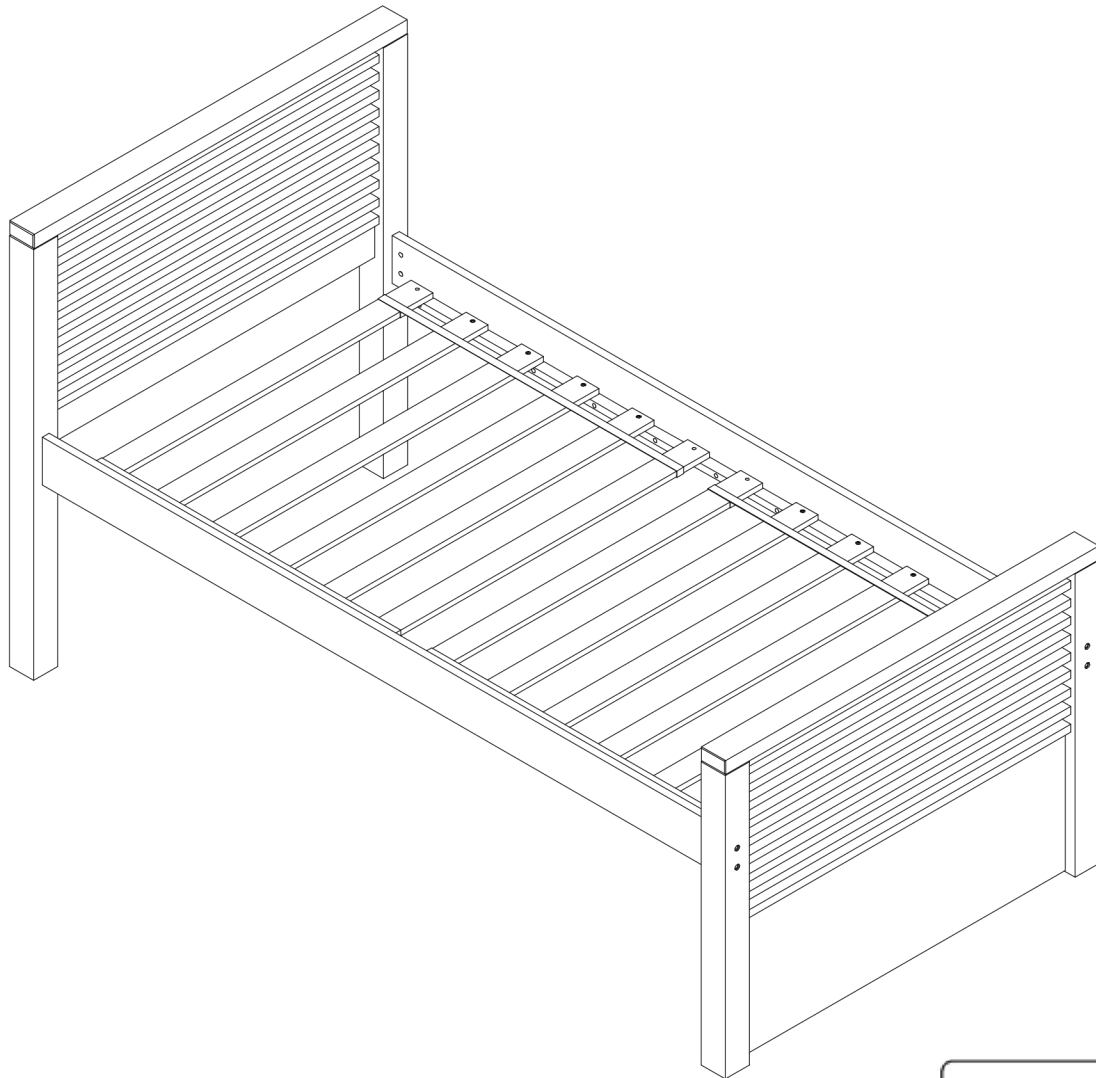
Evenly place Slats (#D) over the Side rails (#C). Attach the first and last slat of each set by using JCBC Screw (#2). Attach the Center slats by using Wood screw (#3).

2

- Part (#D) x 2sets
- Hardware (#2) x 8pcs
- Hardware (#3) x 16pcs
- Hardware (#6) x 1pc



ASSEMBLY INSTRUCTIONS



ASSEMBLY COMPLETED



Please ensure the furniture rests on an even and flat surface. If the product wobbles or feels loose, double-check all bolts and/or screws are properly tightened and secured.



Keep this handy!

Please retain this instruction manual and any order-related information for future reference.



Lift, don't drag!

To avoid damage to product please always LIFT the product when transporting or adjusting the placement.

ASSEMBLY INSTRUCTIONS

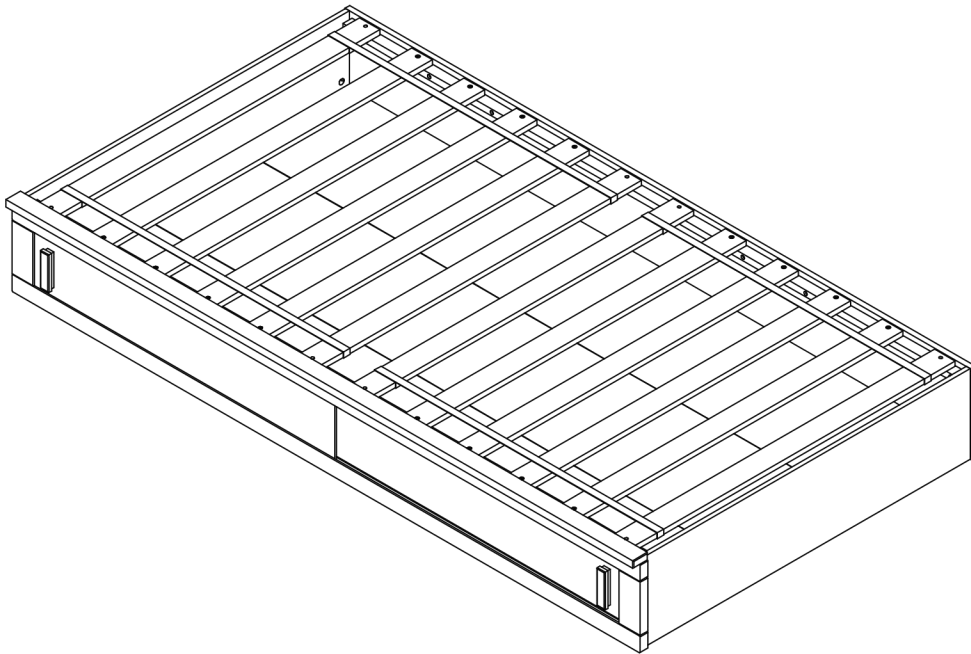
TOOLS REQUIRED



Allen Wrench
(Included)



Phillips
Screwdriver
(Not Included)



2 - People
Recommended

ASSEMBLY RATING



EASY → DIFFICULT

The Assembly Rating is a 5-point system showing the level of effort needed to assemble a specific product.



CHECK BEFORE STARTING

Are you missing anything?

Double-check all parts, hardware and accessories listed are all accounted for.

Check out our Quick Tips!

We recommend reviewing the pre-assembly handouts. Even experts need a refresher now and then!

Should we send any replacements?

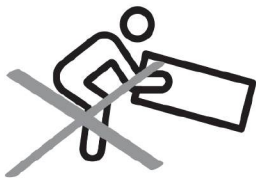
Are there any irregularities or flaws in the parts? We can send replacements!

Prep Time!

Please review the assembly instructions and all diagrams prior to assembling.

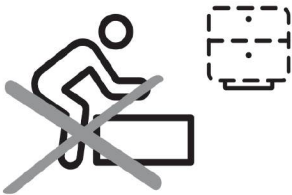
PRE ASSEMBLY INTRODUCTION

We understand building ready-to-assemble furniture can be a challenging experience for some. To help avoid confusion, we have provided some helpful tips that may speed up the process.



Teamwork

ALWAYS have at least two people to help with transporting and assembling the product to avoid potential injury and/or damage.



Suitable Location

Assembling near the area of the intended location is highly recommended.



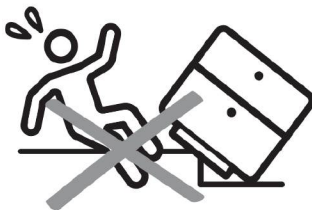
Sufficient Space

Make sure you have enough space to move around during the assembly.



Avoid Scratches

Use cardboard, blankets or a carpeted area while assembling furniture to prevent to prevent scratches and damages.



Flat Surface

Make sure the furniture rests on a flat and level surface with each leg evenly touching the floor.

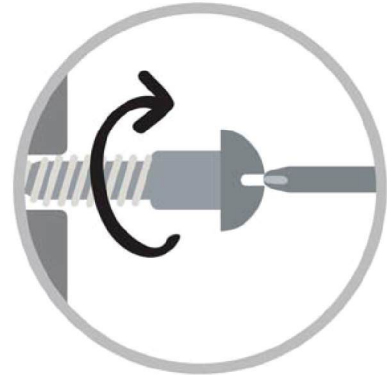
ASSEMBLY AND CARE ADVICE



FAILURE TO FOLLOW THE GUIDELINES BELOW MAY RESULT IN INJURY AND/OR PROPERTY DAMAGE.



Position each part correctly and insert screws or bolts into their respective holes.



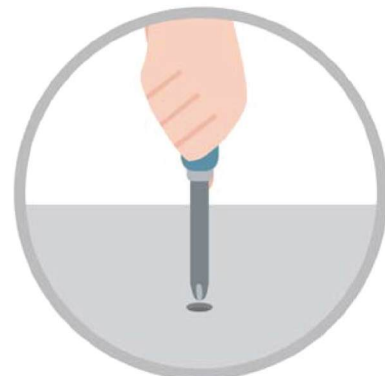
Turn clockwise to tighten and only tighten when step is completed or when instructed to do so.



Use the appropriate hand tools or power tools for assembly. Select steps, such as tightening screws and/or bolts, may require hand tools to avoid causing damage during assembly.



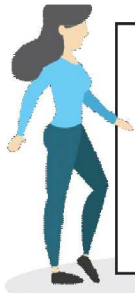
Save the instructions and store any supplied tools for later maintenance.



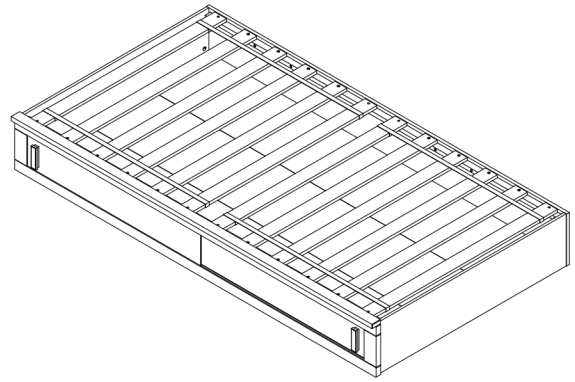
After two weeks, check and tighten any loose hardware and repeat again every six months thereafter.

IT IS THE USER'S RESPONSIBILITY TO MAINTAIN THE FURNITURE. THE HARDWARE MAY LOOSEN OVER TIME AND MAY CAUSE THE FURNITURE TO BE WOBBLY AND UNABLE TO SUPPORT ITS INTENDED WEIGHT CAPACITY. THIS MAY LEAD TO COLLAPSE AND MAY CAUSE SERIOUS INJURY.

TRUNDLE



- Please keep instructions for future reference.
- Check the quantity and irregularity of parts and hardware before you start.



PARTS

A



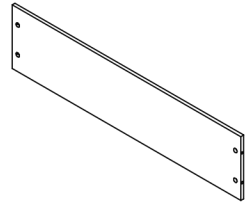
FRONT PANEL
1 pc.

B



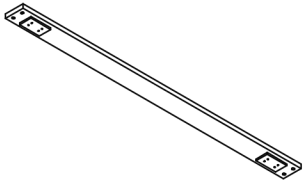
BACK PANEL
1 pc.

C



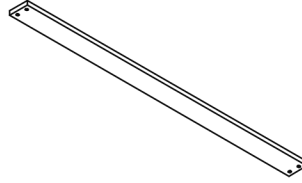
SIDE PANEL
2 pcs.

D



BOTTOM RAIL
(LEFT & RIGHT)
2 pcs.

E



BOTTOM RAIL
(CENTER)
2 pcs.

F



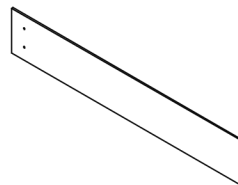
BOTTOM PANEL
2 pcs.

G



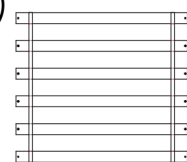
BOTTOM PANEL
(FRONT)
1 pc.

H



SLIDING DOOR PANEL
2 pcs.

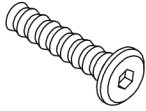
I



SLAT
2 sets

HARDWARE

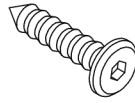
1



JCBC M6 x 30mm

16 pcs.

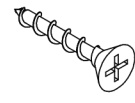
2



JCBC-W M6 x 28mm

8 pcs.

3



WOOD SCREW

4.0 x 28mm

16 pcs.

4



WOOD SCREW

3.5 x 16mm

16 pcs.

5

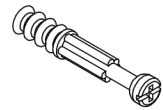


TH MACHINE SCREW

M4 x 12mm

4 pcs.

6



MINIFIX BOLT 32mm

8 pcs.

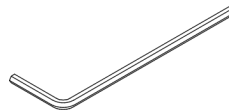
7



MINIFIX CAM Ø15 x 10mm

8 pcs.

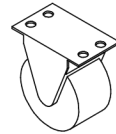
8



ALLEN KEY

1 pc.

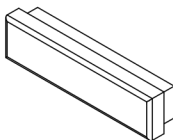
9



WHEEL

4 pcs.

10



HANDLE

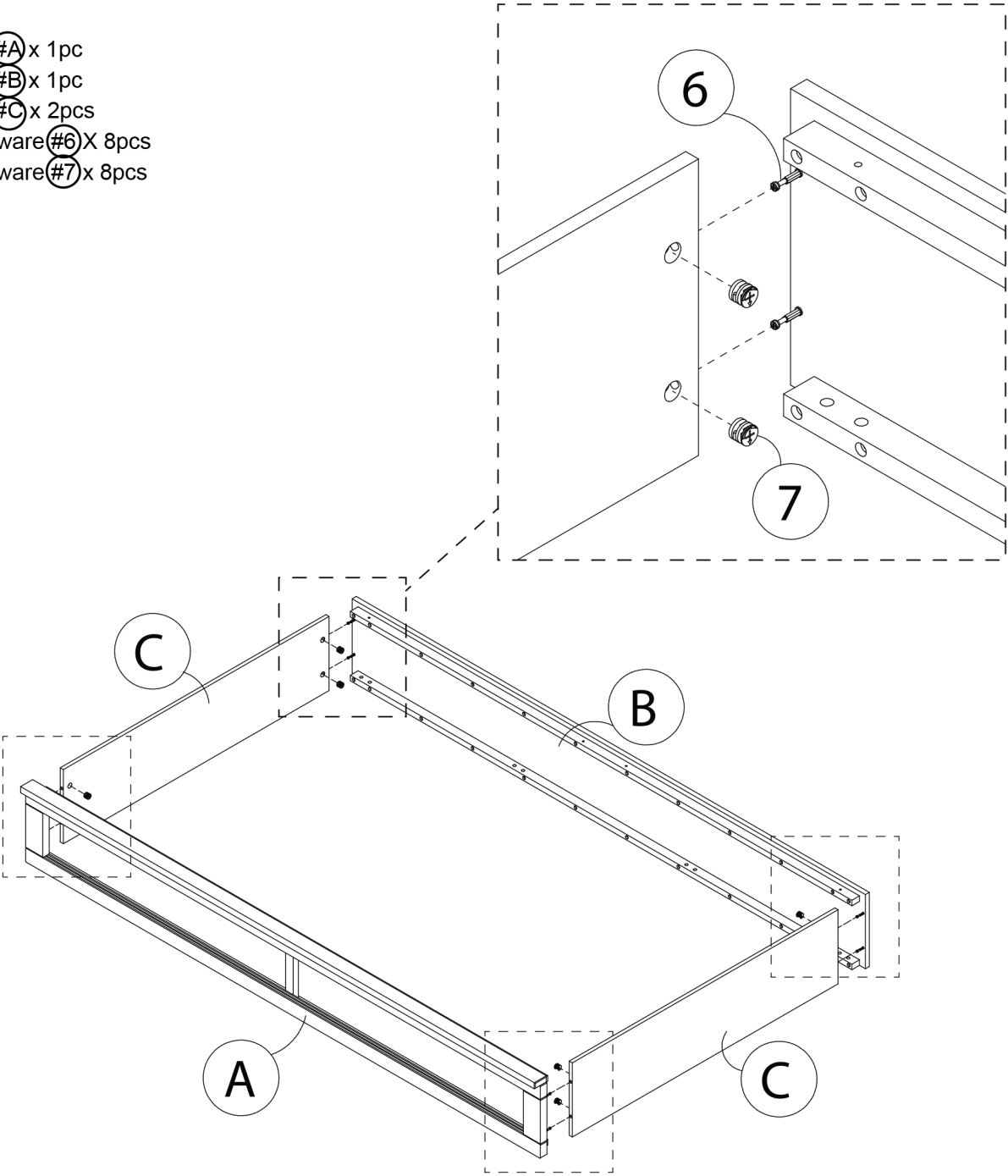
2 pcs.

ASSEMBLY INSTRUCTIONS

1 Attach Minifix bolt (#6) to the Front panel (#A) and the Back panel (#B). Use the Minifix bolts (#6) to align the Side panels (#C) and secure by using Minifix cam (#7).

1

- Part #A x 1pc
- Part #B x 1pc
- Part #C x 2pcs
- Hardware #6 X 8pcs
- Hardware #7 x 8pcs

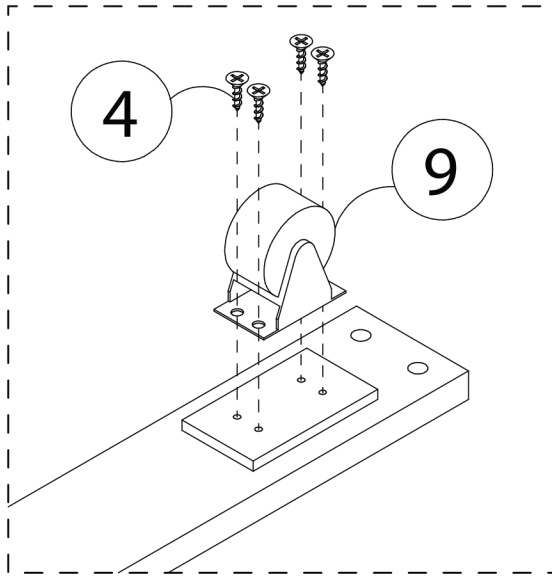


ASSEMBLY INSTRUCTIONS

2

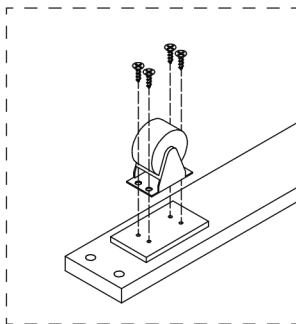
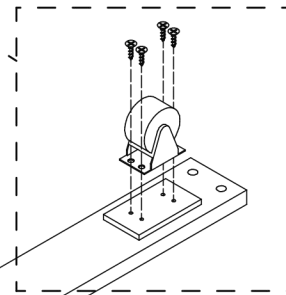
Attach the Wheel (#9) to the ends of the Bottom rail (#D) and secure by using Wood screw (#4).

Part (#D) x 2pc



x2

Hardware (#4) x 16pcs
Hardware (#9) x 4pcs

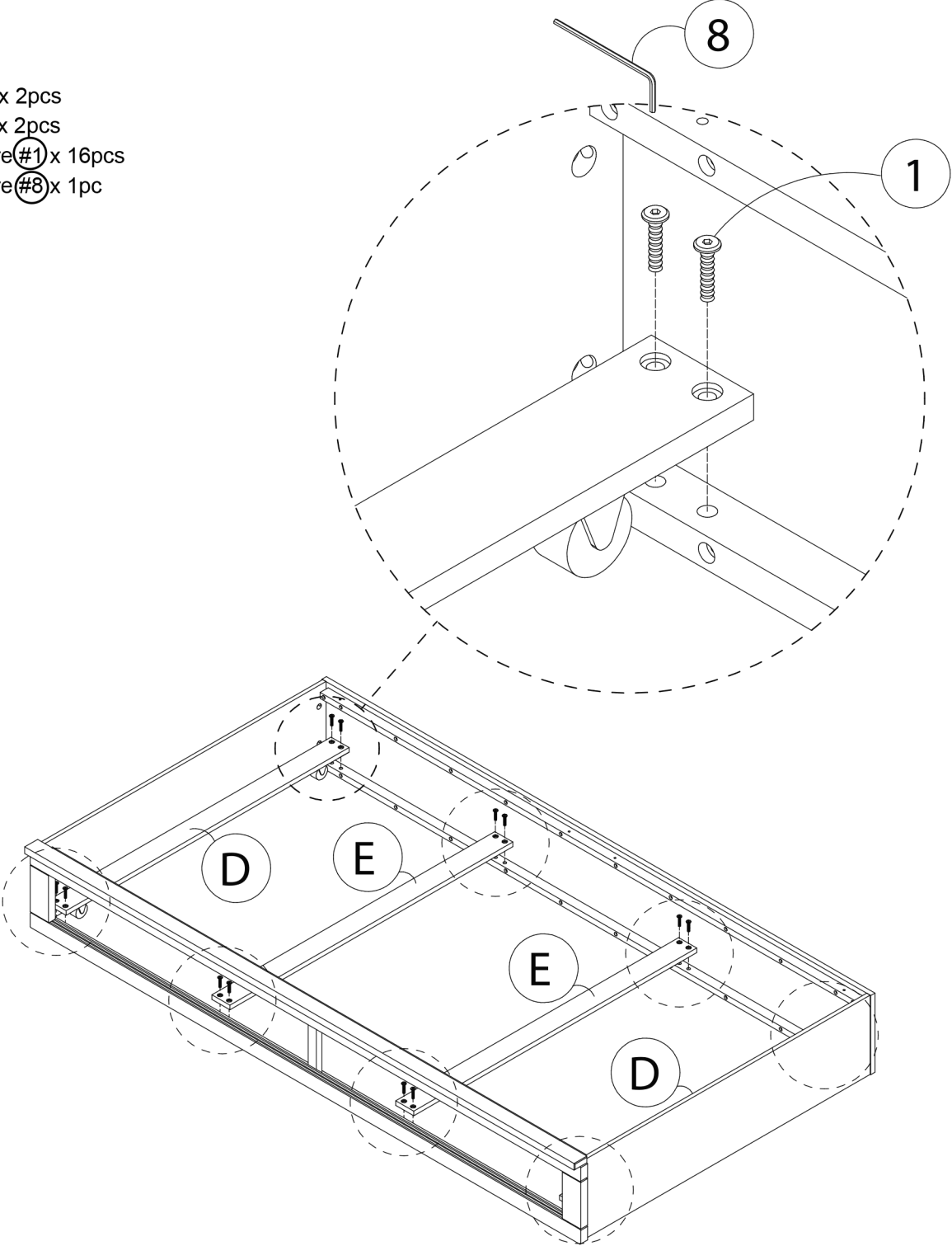


ASSEMBLY INSTRUCTIONS

Attach the Left and Right Bottom rails (#D) to the corners of the frame by using JCBC Bolt (#1).
Align and attach the Center Bottom Rail (#E) to the center of the frame by using JCBC Bolt (#1).

3

- Part #D x 2 pcs
- Part #E x 2 pcs
- Hardware #1 x 16 pcs
- Hardware #8 x 1 pc

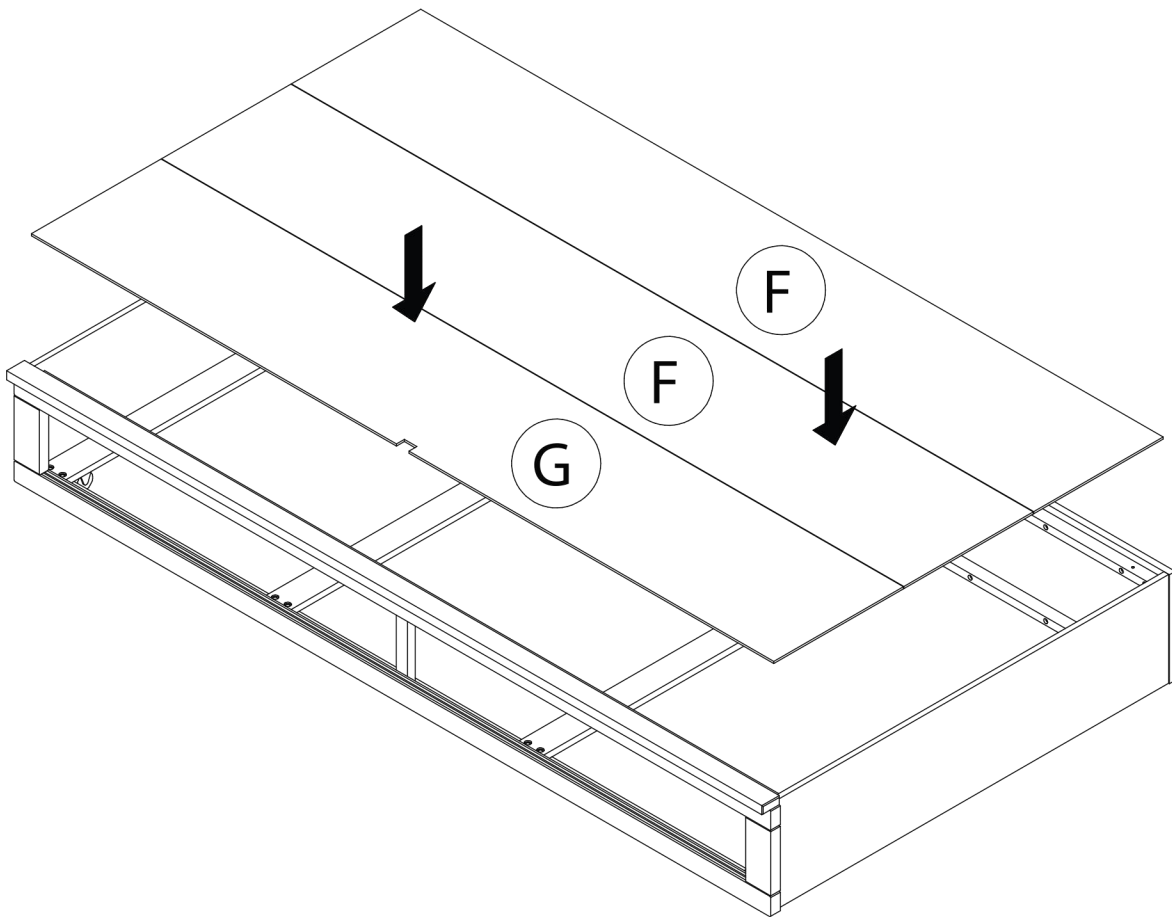


ASSEMBLY INSTRUCTIONS

4

Place the Front bottom panel (#G) and Bottom panels (#F) over the rails as shown in the diagram.

Part #F x 2 pcs
Part #G x 1 pc

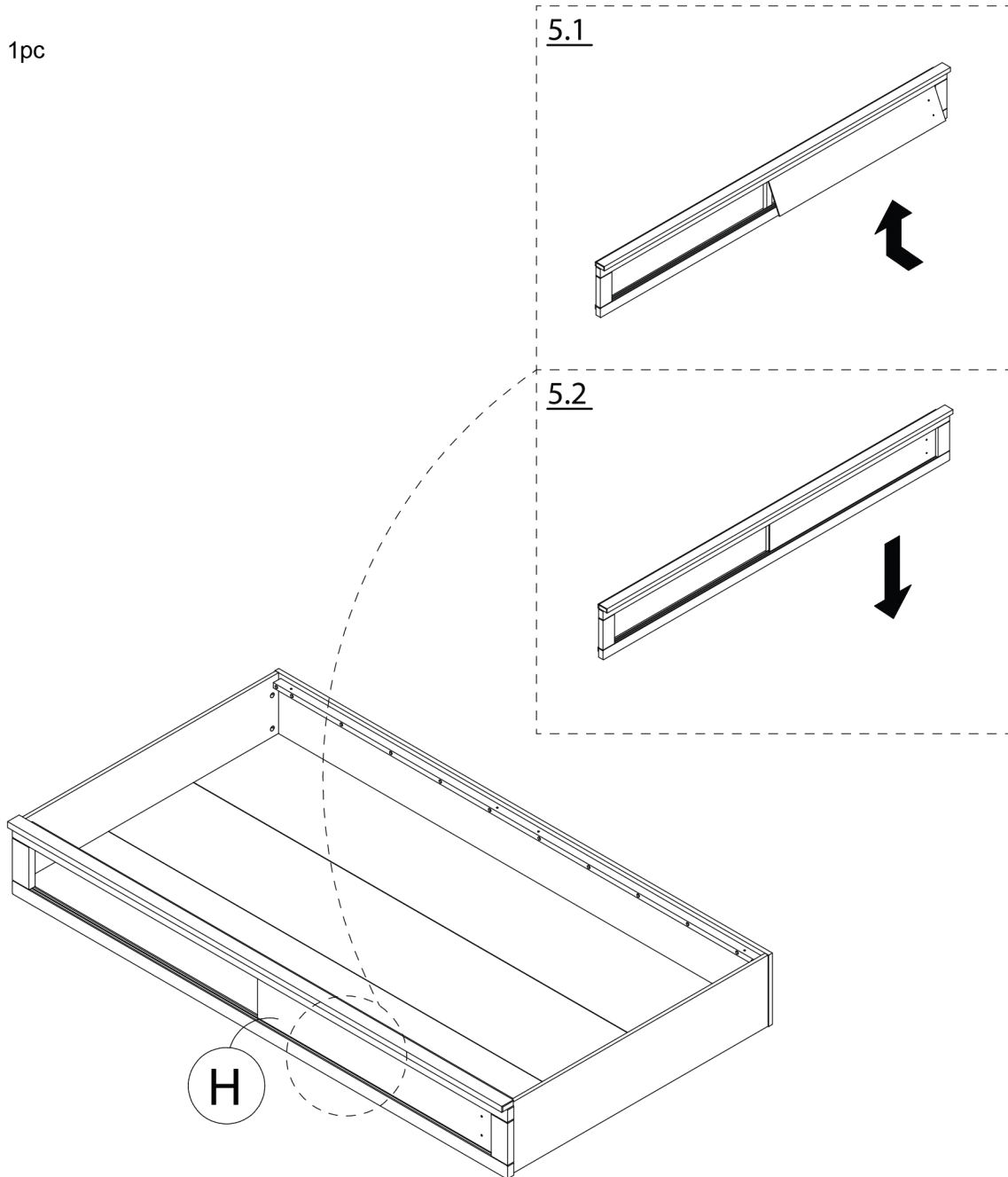


ASSEMBLY INSTRUCTIONS

Insert Sliding door panel (#H) into the right side of the Front panel (#A) by aligning the top then inserting the bottom.

5

Part #H x 1pc

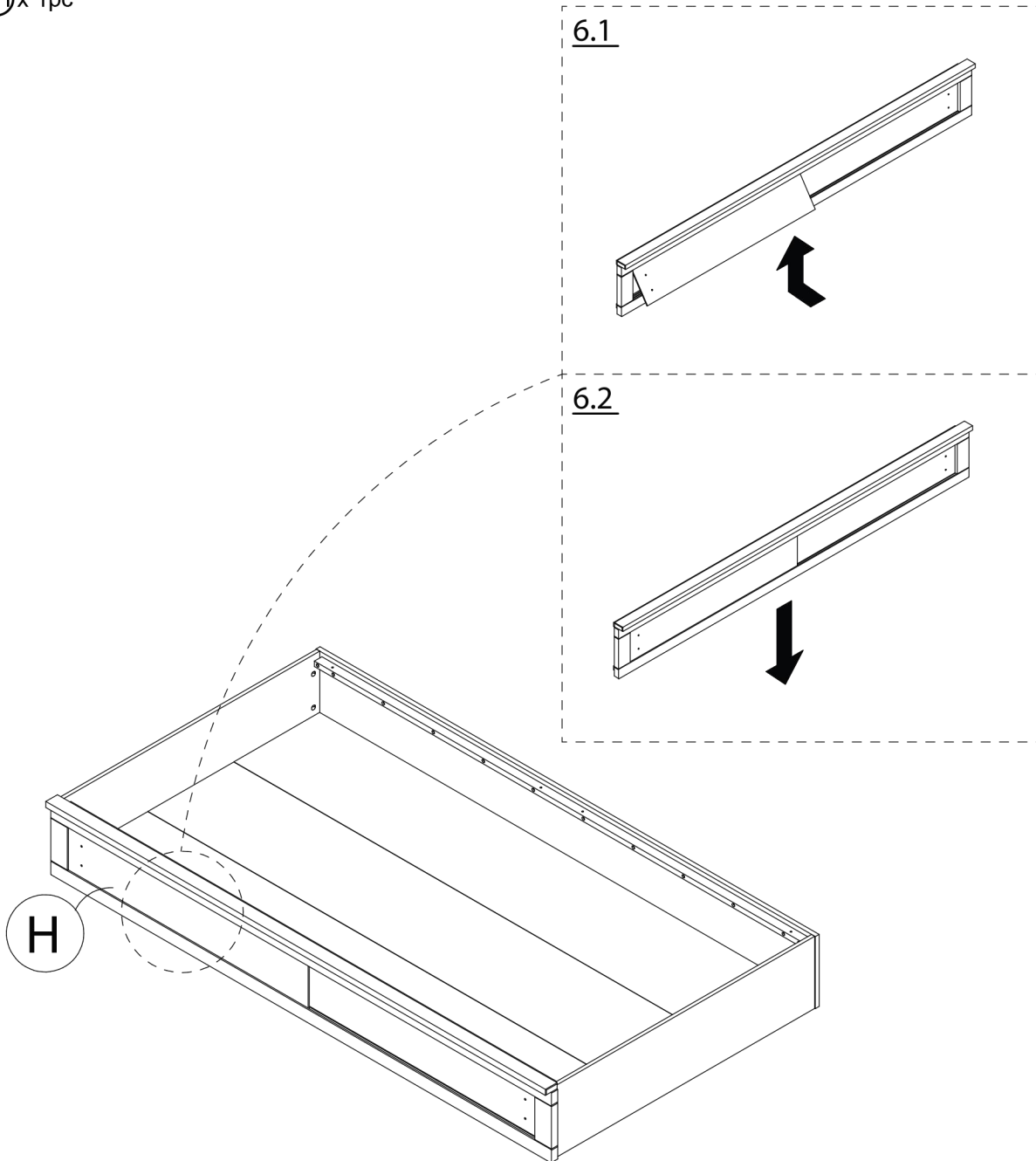


ASSEMBLY INSTRUCTIONS

6

Insert Sliding door panel (#H) into the left side of the Front panel (#A) by aligning the top then inserting the bottom.

Part #H x 1pc

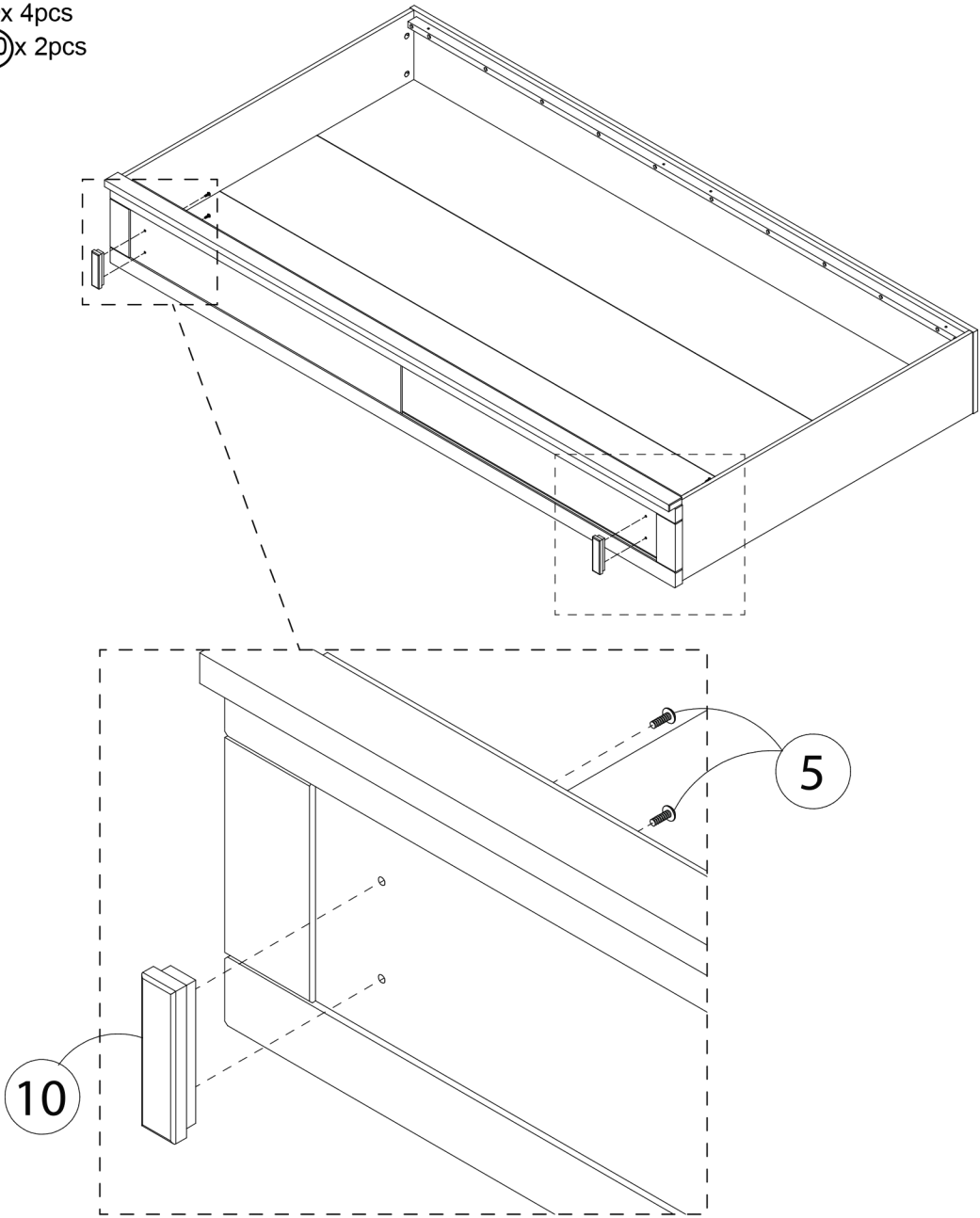


ASSEMBLY INSTRUCTIONS

7

Attach the Handles (#10) to the Door panel (#H) by using Machine screw (#5).

Hardware #5 x 4pcs
Hardware #10 x 2pcs

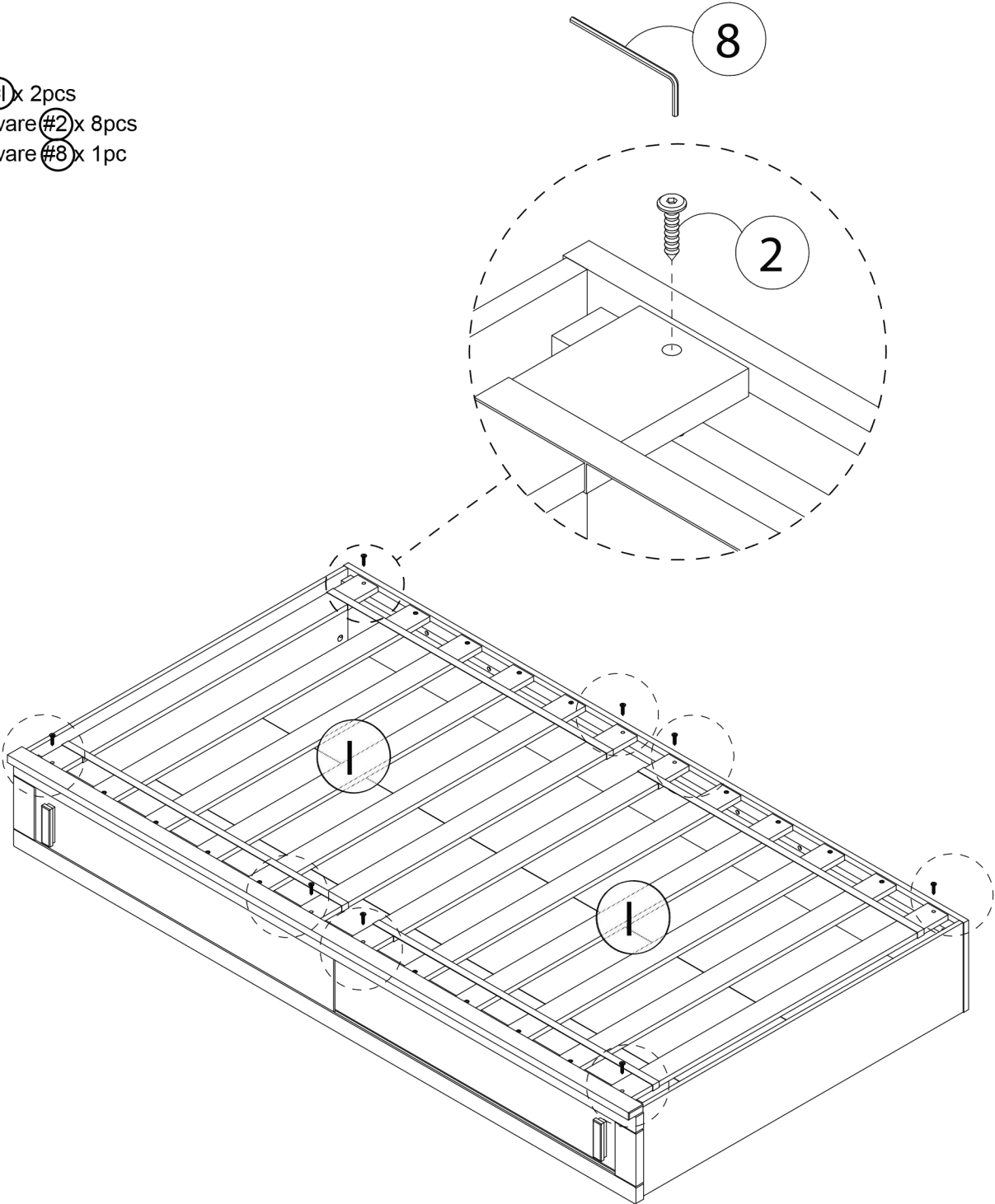


ASSEMBLY INSTRUCTIONS

Spread Slat sets (#1) over the rails and secure the end slats by using JCBC SCREW (#2).

8

- Part #1 x 2pcs
- Hardware #2 x 8pcs
- Hardware #8 x 1pc

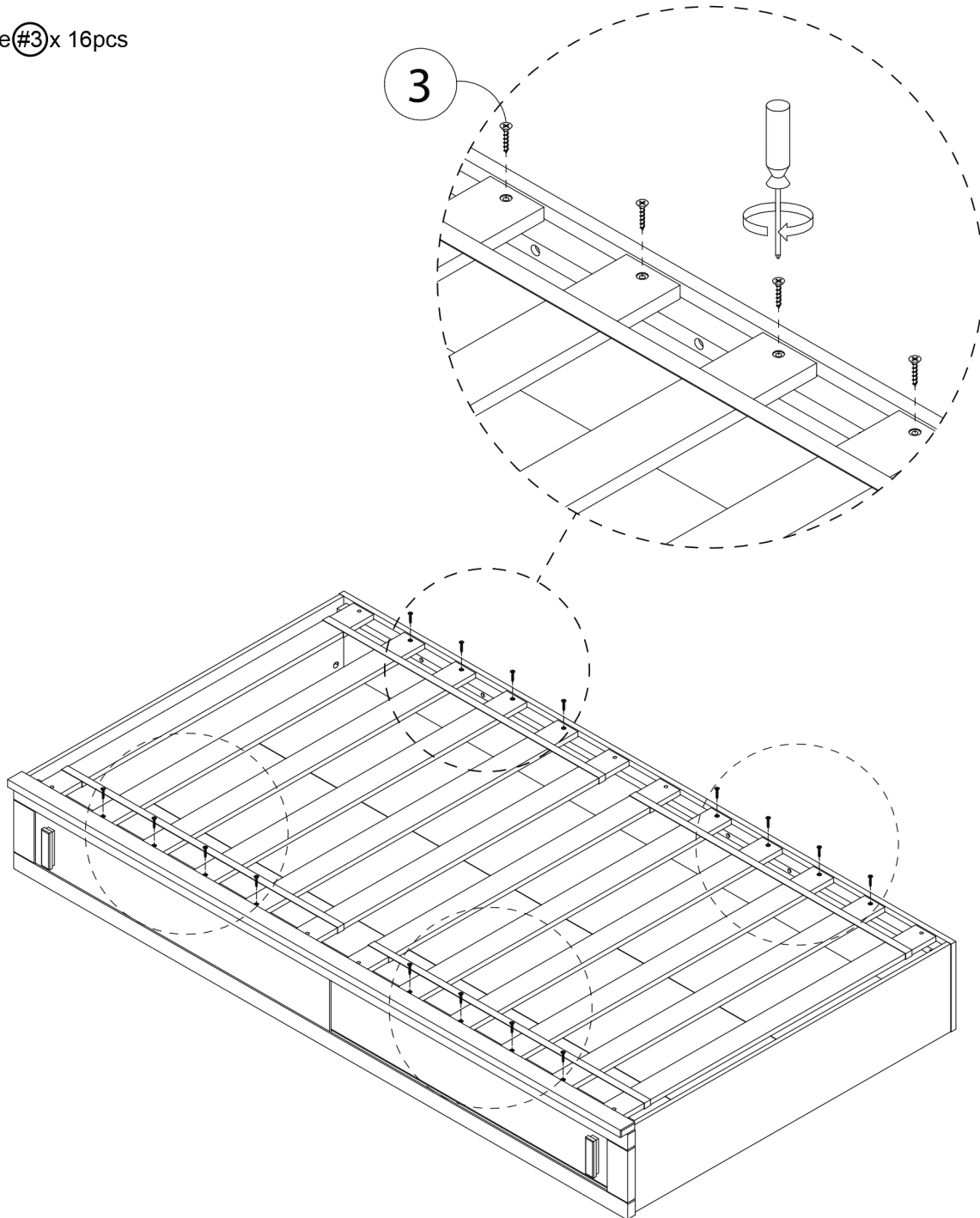


ASSEMBLY INSTRUCTIONS

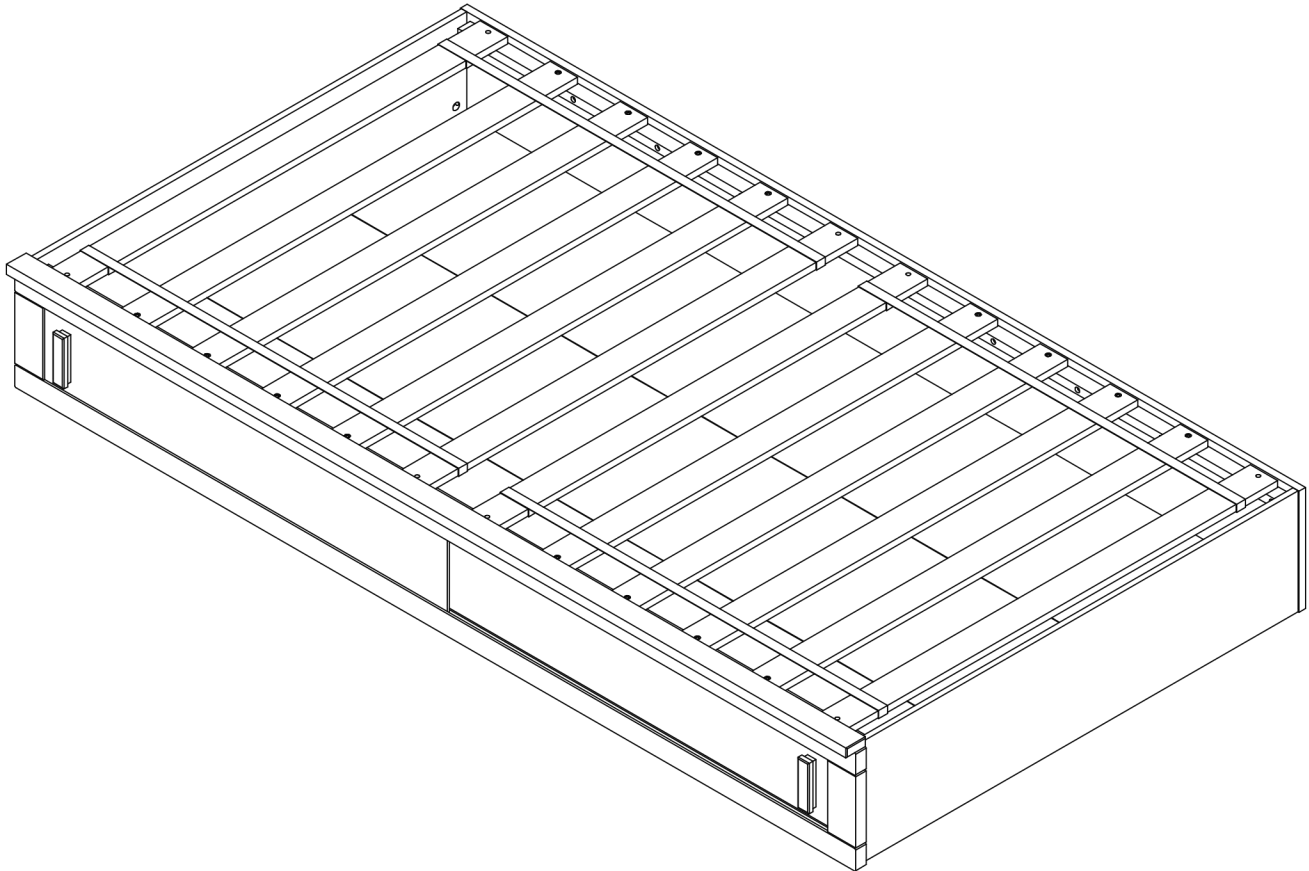
Secure center slats by using Wood Screw (#3).

9

Hardware (#3) x 16pcs



ASSEMBLY INSTRUCTIONS



ASSEMBLY COMPLETED



Please ensure the furniture rests on an even and flat surface. If the product wobbles or feels loose, double-check all bolts and/or screws are properly tightened and secured.

✓ **Keep this handy!**

Please retain this instruction manual and any order-related information for future reference.

✓ **Lift, don't drag!**

To avoid damage to product please always LIFT the product when transporting or adjusting the placement.