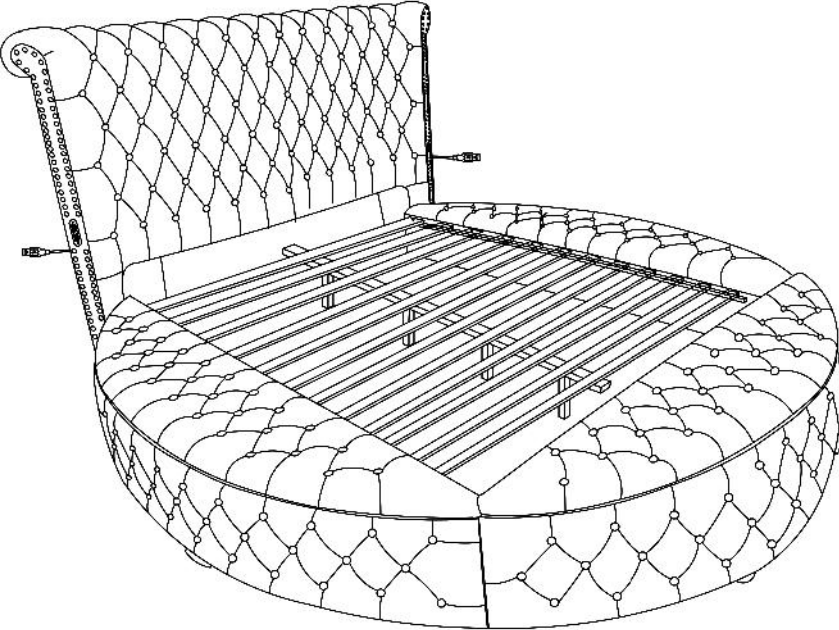


# ASSEMBLY INSTRUCTIONS



## TOOLS REQUIRED



Allen Wrench  
(Included)



Phillips  
Screwdriver  
(Not Included)



2 - Persons  
Recommended

## ASSEMBLY RATING



EASY ————— DIFFICULT

The Assembly Rating is a 5-point system showing the level of effort needed to assemble a specific product.



## **CHECK BEFORE STARTING**

### **Are you missing anything?**

Double-check all parts, hardware and accessories listed are all accounted for.

### **Check out our Quick Tips!**

We recommend reviewing the pre-assembly handouts. Even experts need a refresher now and then!

### **Should we send any replacements?**

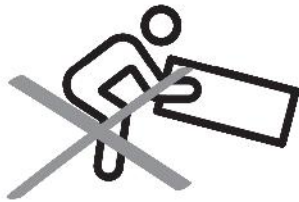
Are there any irregularities or flaws in the parts? We can send replacements!

### **Prep Time!**

Please review the assembly instructions and all diagrams prior to assembling.

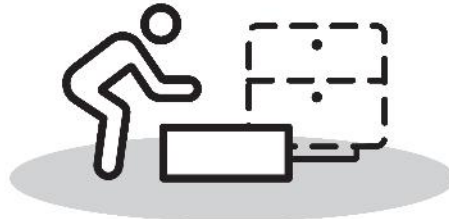
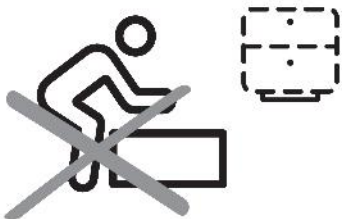
# PRE ASSEMBLY INTRODUCTION

We understand building ready-to-assemble furniture can be a challenging experience for some. To help avoid confusion, we have provided some helpful tips that may speed up the process.



## Teamwork

ALWAYS have at least two people to help with transporting and assembling the product to avoid potential injury and/or damage.



## Suitable Location

Assembling near the area of the intended location is highly recommended.



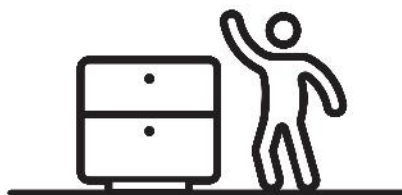
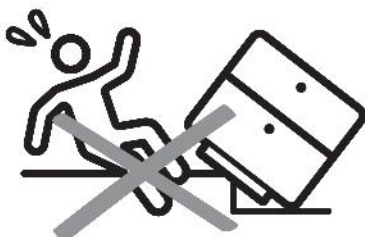
## Sufficient Space

Make sure you have enough space to move around during the assembly.



## Avoid Scratches

Use cardboard, blankets or a carpeted area while assembling furniture to prevent to prevent scratches and damages.



## Flat Surface

Make sure the furniture rests on a flat and level surface with each leg evenly touching the floor.

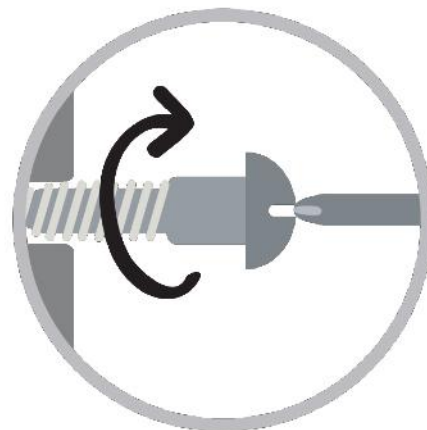
# ASSEMBLY AND CARE ADVICE



**FAILURE TO FOLLOW THE GUIDELINES BELOW MAY RESULT IN INJURY AND/OR PROPERTY DAMAGE.**



Position each part correctly and insert screws or bolts into their respective holes.



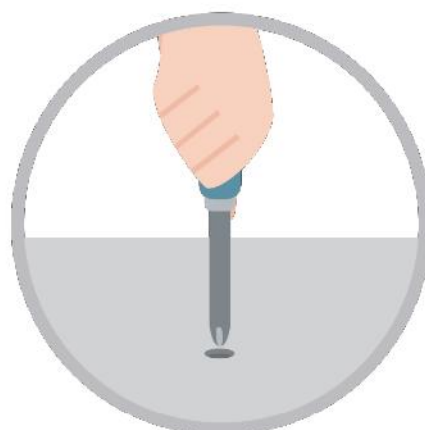
Turn clockwise to tighten and only tighten when step is completed or when instructed to do so.



Use the appropriate hand tools or power tools for assembly. Select steps, such as tightening screws and/or bolts, may require hand tools to avoid causing damage during assembly.



Save the instructions and store any supplied tools for later maintenance.



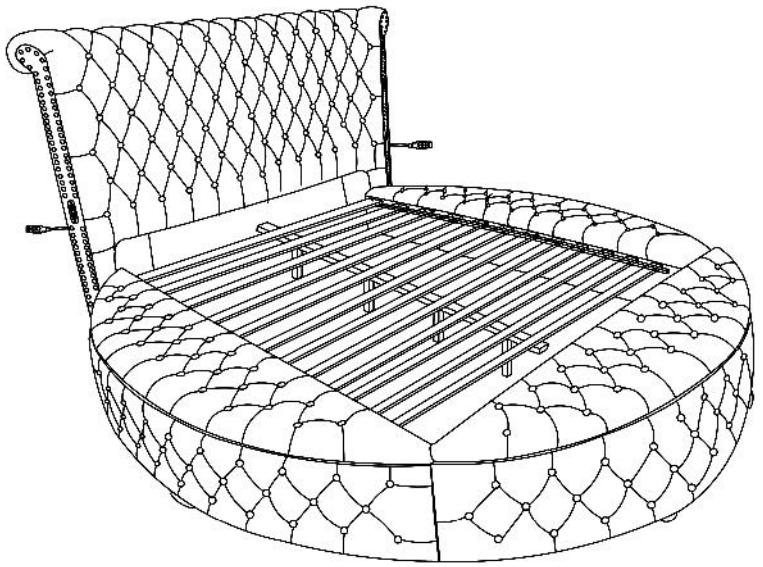
After two weeks, check and tighten any loose hardware and repeat again every six months thereafter.

**IT IS THE USER'S RESPONSIBILITY TO MAINTAIN THE FURNITURE. THE HARDWARE MAY LOOSEN OVER TIME AND MAY CAUSE THE FURNITURE TO BE WOBBLY AND UNABLE TO SUPPORT ITS INTENDED WEIGHT CAPACITY. THIS MAY LEAD TO COLLAPSE AND MAY CAUSE SERIOUS INJURY.**

# BED

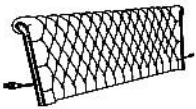


- Please keep instructions for future reference.
- Check the quantity and irregularity of parts and hardware before you start.



## PARTS

#1 1pc



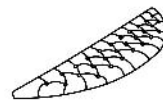
Headboard

#2 2pcs



HB Leg  
(L/R)

#3 2pcs



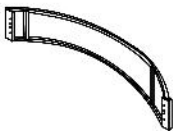
Side Rail  
Top Panel

#4 1pc



Footboard  
Top Panel

#5 2pcs



Side Rail With  
Fabric

#6 9pcs



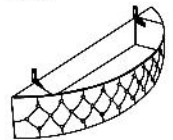
Plastic Feet

#7 2set



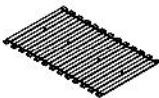
Side Rail

#8 1pc



Footboard

#9 1set



Slat (13pcs)

#10 1pc



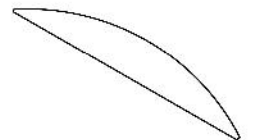
Support Rail

#11 4pcs



Support Leg

#12 2pcs



Side Rail Botom  
Panel

# HARDWARE

#A 12pcs



Bolt  
Ø5/16" x 1-3/4"

#B 8pcs



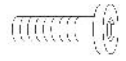
Threaded Stud  
Ø5/16" x 3-1/4"

#C 12pcs



Bolt  
Ø5/16" x 3/4"

#D 20pcs



Bolt  
Ø1/4" x 5/8"

#E 32pcs



Lock Washer  
Ø5/16"

#F 16pcs



Flat Washer  
Ø5/16" x 19mm

#G 16pcs



Flat Washer  
Ø5/16" x 22mm

#H 44pcs



Screw  
#8 x 38mm

#I 1pc



Allen Wrench 5mm

#J 1pc



Allen Wrench 4mm

#K 8pcs



Hex Nut Ø5/16"

#L 1pc



Wrench 12mm

#M 2pcs



Wood tenon  
Ø10x 40mm

#N 20pcs



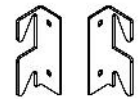
Lock Washer Ø1/4"

#O 20pcs



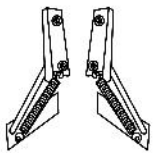
Flat Washer  
Ø1/4" x 16mm

#P 2set



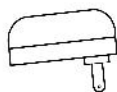
Connection Strap

#Q 2sets



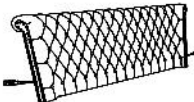
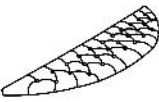

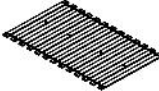
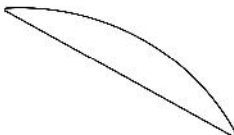
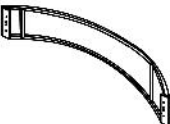









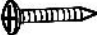


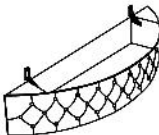


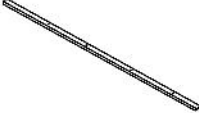


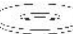
Hinges

#R 2pcs

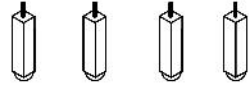


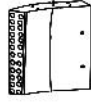



Power

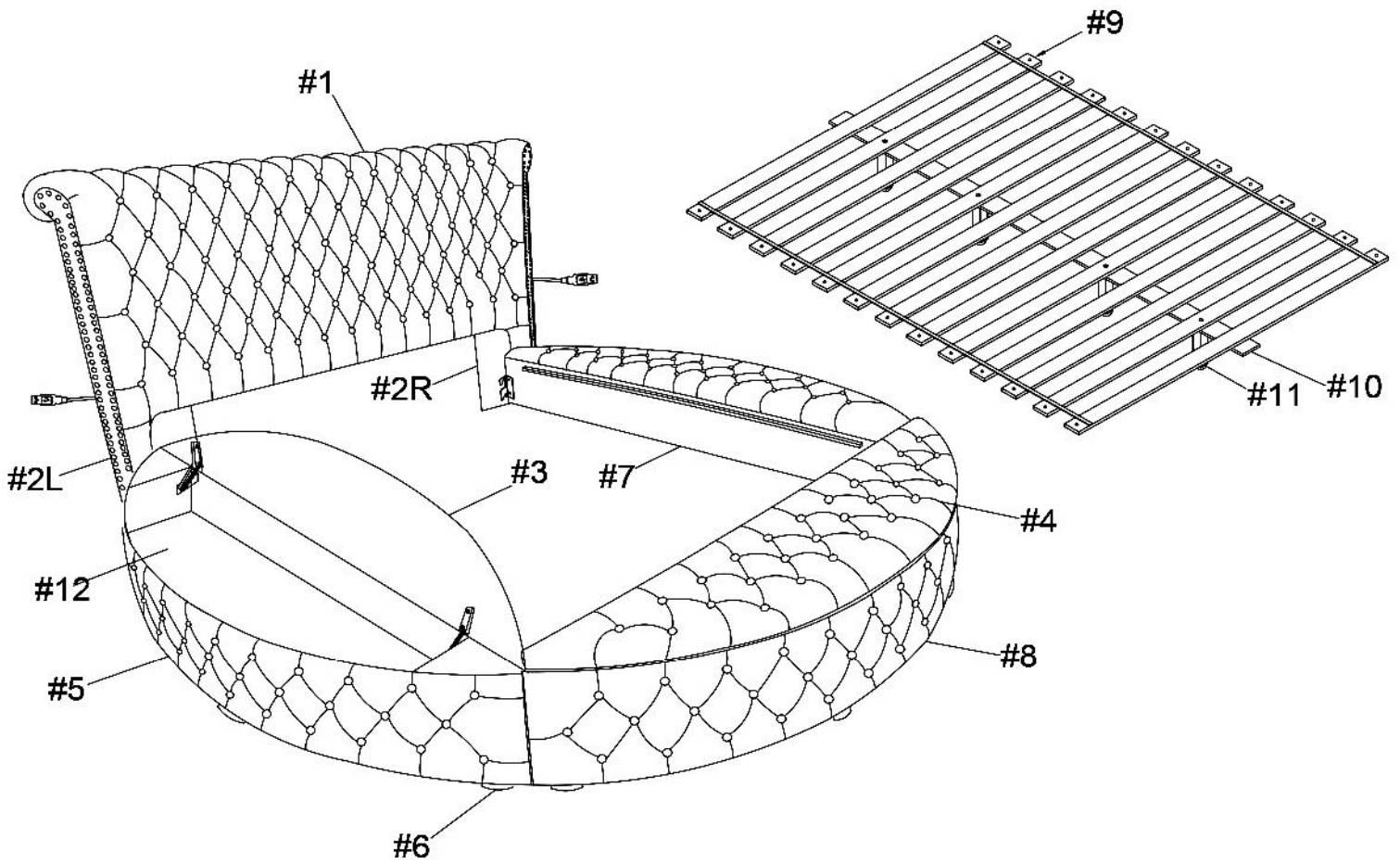
# packed in 2 cases

Carton	Disignation	Part	Hardware
	Headboard	#1 	
	Side Rail Top Panel	#3 	
	Footboard Top Panel	#4 	
	Slat (13pcs)	#9 	
	Side Rail Botom Panel	#12 	
	Side Rail With Fabric	#5 	 #A x 12pcs  #B x 8pcs  #C x 12pcs  #D x 20pcs
	Plastic Feet	#6 	 #Ex 32pcs  #Fx 16pcs  #Gx 16pcs
	Side Rail	#7 	 #H x 43pcs  #I x 1pc  #J x 1pc
	Footboard	#8 	 #K x 8pcs  #L x 1pcs
	Support Rail	#10 	 #M x 1pcs  #N x 20pcs  #O x 20pcs

# packed in 2 cases

Carton	Disignation	Part		Hardware
	Support Leg	#11		 #P x 2sets  #O x 1set
	HB Leg	#12		 #R x 2pcs

## Exploded View

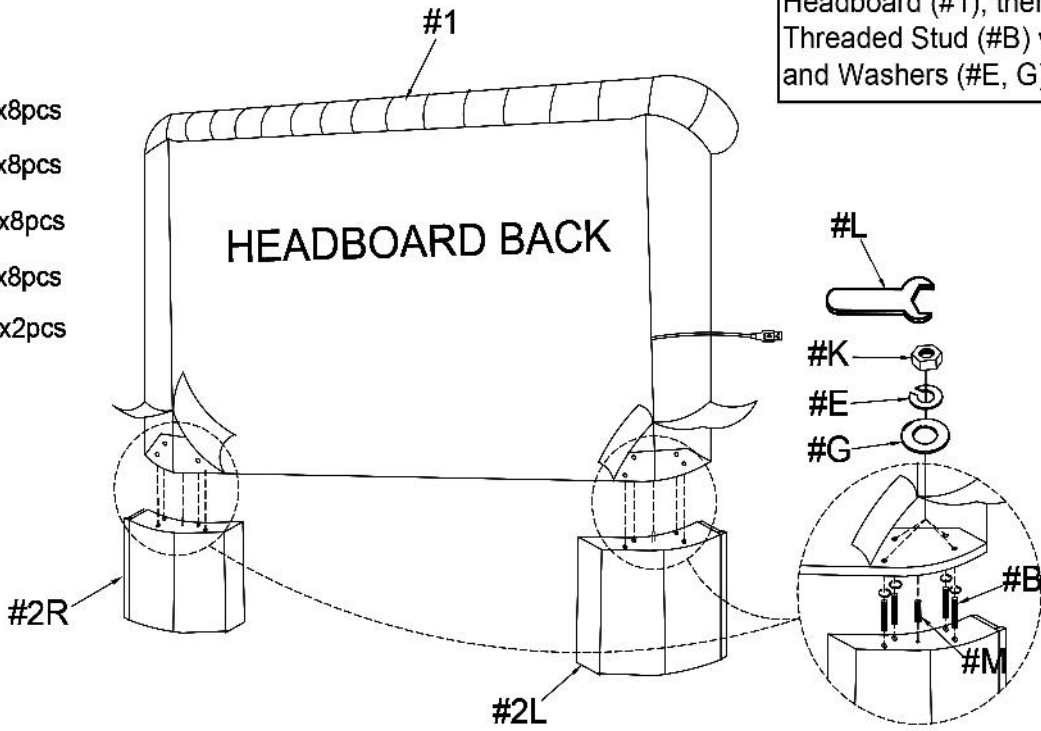


# ASSEMBLY INSTRUCTIONS

## 1

- Part #1 x1pc
- Part #2 x2pcs
- Hardware #B x8pcs
- Hardware #E x8pcs
- Hardware #G x8pcs
- Hardware #K x8pcs
- Hardware #M x2pcs

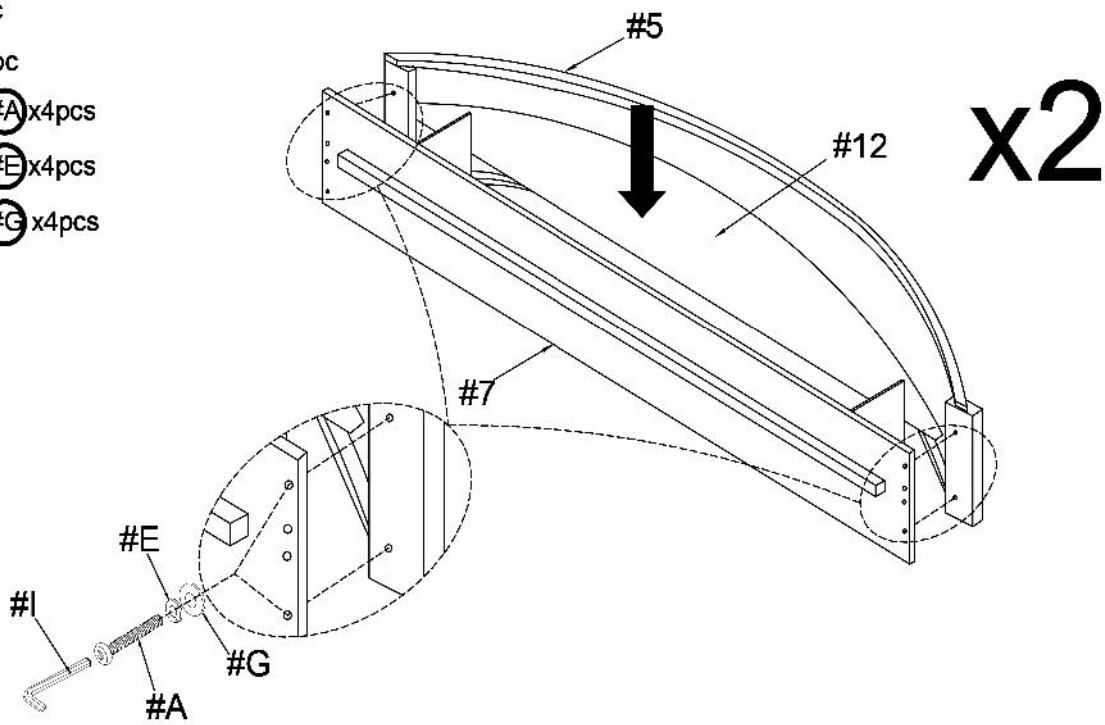
Insert Wood Tenon (#M) to the center hole of HB legs (#2). Lift Velcro to attach legs. Align HB legs (#2) to the Headboard (#1), then secure using Threaded Stud (#B) with Hex Nut (#K) and Washers (#E, G).



## 2

- Part #5 x1pc
- Part #7 x1pc
- Part #12 x1pc
- Hardware #A x4pcs
- Hardware #E x4pcs
- Hardware #G x4pcs

Align Side Rail with Fabric (#5) to Side Rail (#7) and the Side Rail Bottom Panel (#12), then secure using Bolt (#A) and Washers (#E, G)



# ASSEMBLY INSTRUCTIONS

## 3

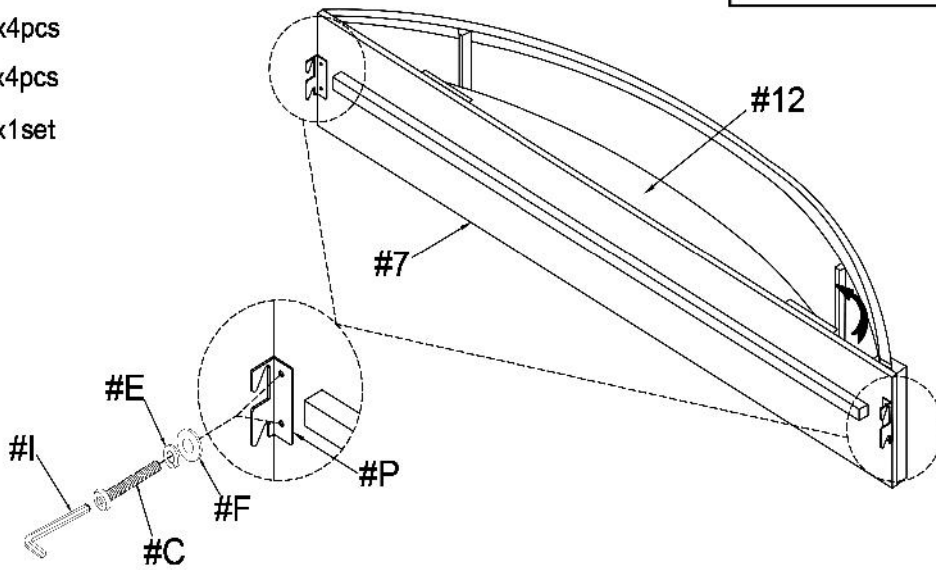
Hardware #C x4pcs

Hardware #E x4pcs

Hardware #F x4pcs

Hardware #P x1set

Align and attach Connection Strap (#P) using Bolt (#C) and Washers (#E, F)



## 4

Hardware #D x4pcs

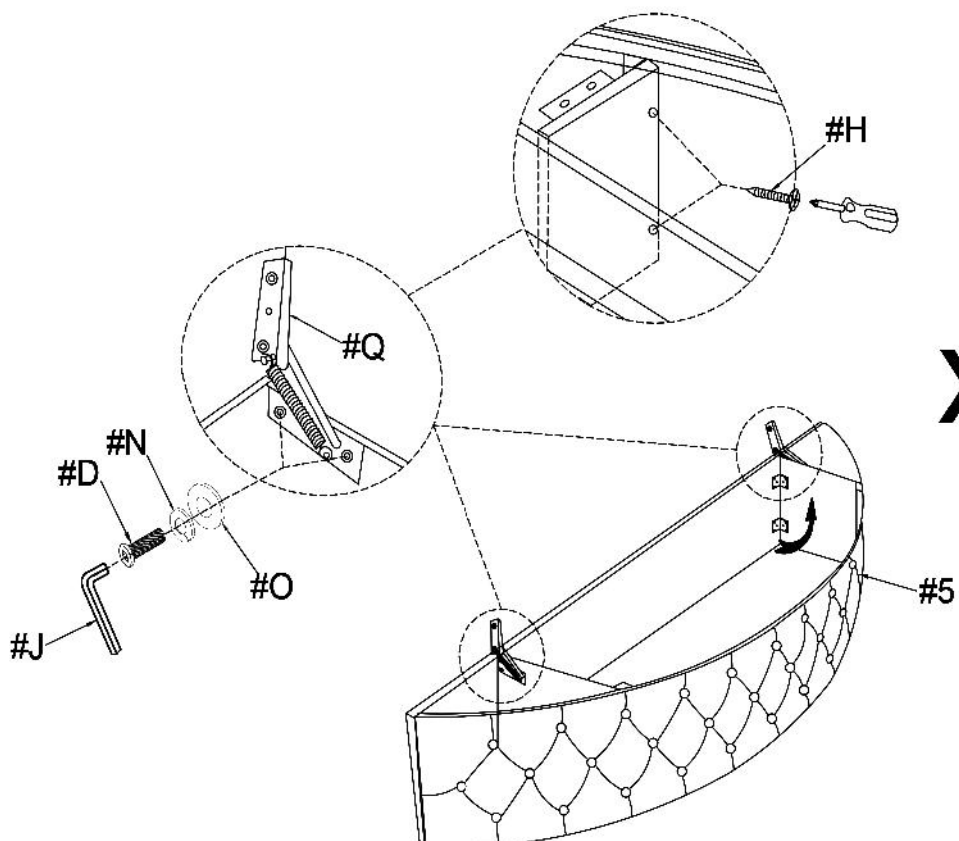
Hardware #H x4pcs

Hardware #N x4pcs

Hardware #O x4pcs

Hardware #Q x1set

Attach Hinges (#Q) using Screw (#H) and Bolt (#D) with Washers (#N, O)



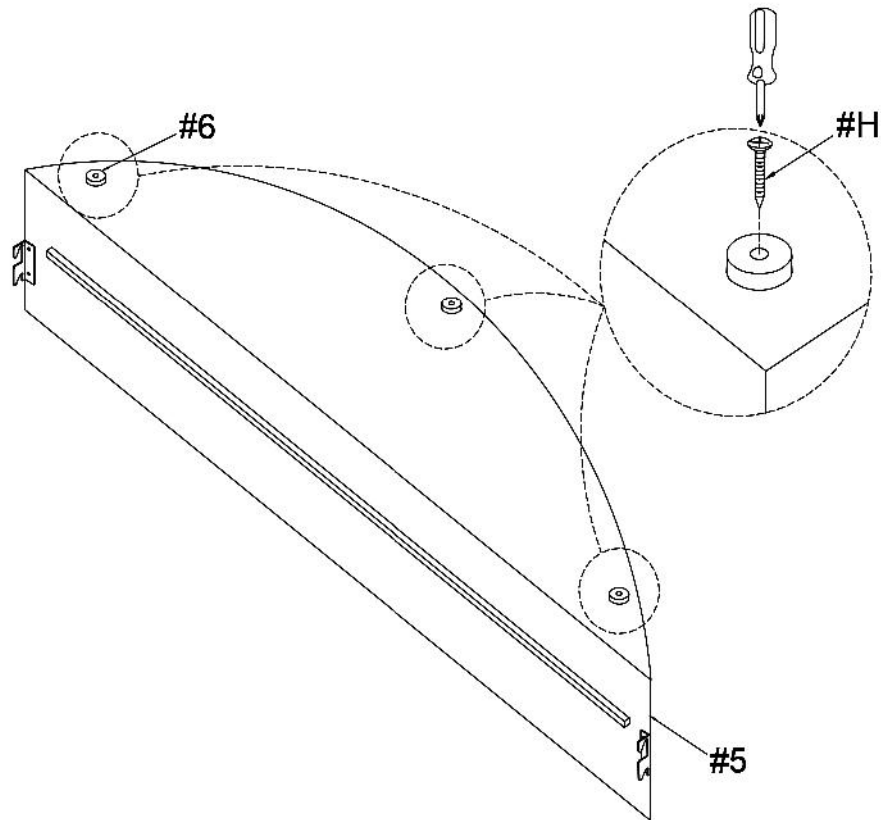
# ASSEMBLY INSTRUCTIONS

## 5

Part #6 x3pcs

Hardware #H x 3pcs

Align and attach Plastic Feet (#6) unto Side Rail with Fabric (#5) using Screw (#H)



x2

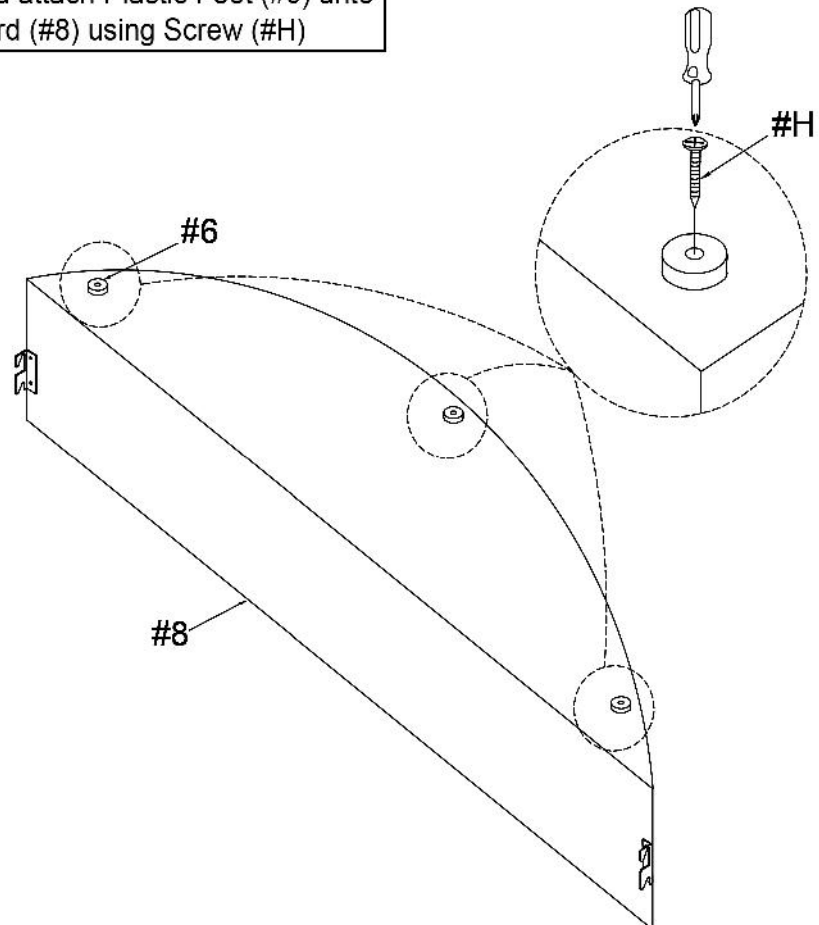
## 6

Part #8 x1pc

Part #6 x3pcs

Hardware #H x3pcs

Align and attach Plastic Feet (#6) unto Footboard (#8) using Screw (#H)

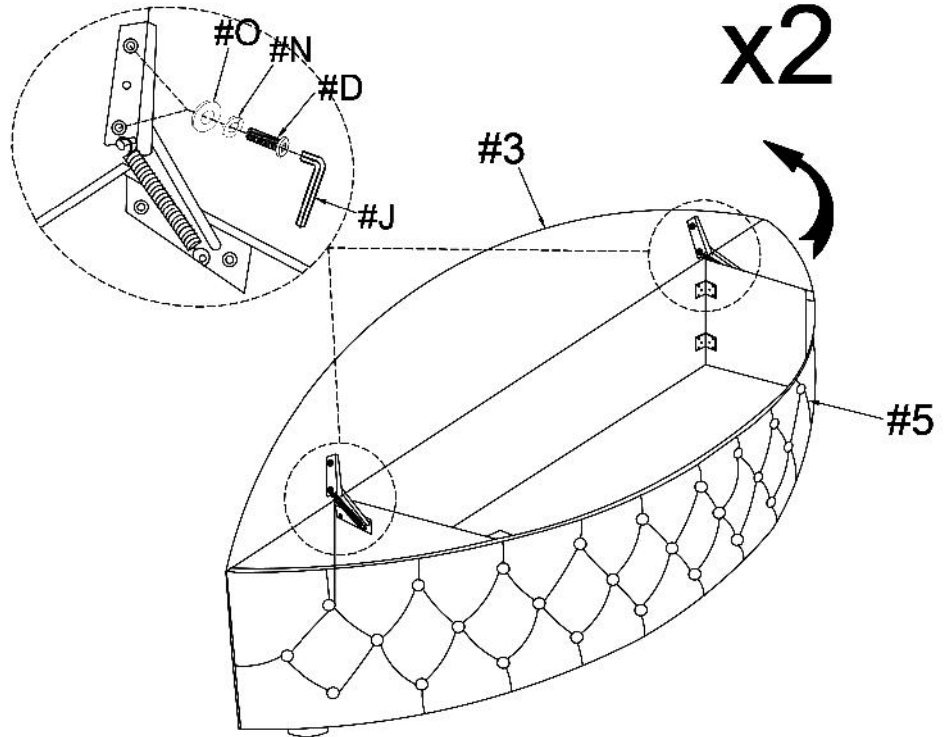


# ASSEMBLY INSTRUCTIONS

## 7

Align and attach Side Rail Top Panel (#3) to Side Rail with Fabric (#5) using Bolt (#D) with Washers (#N, O)

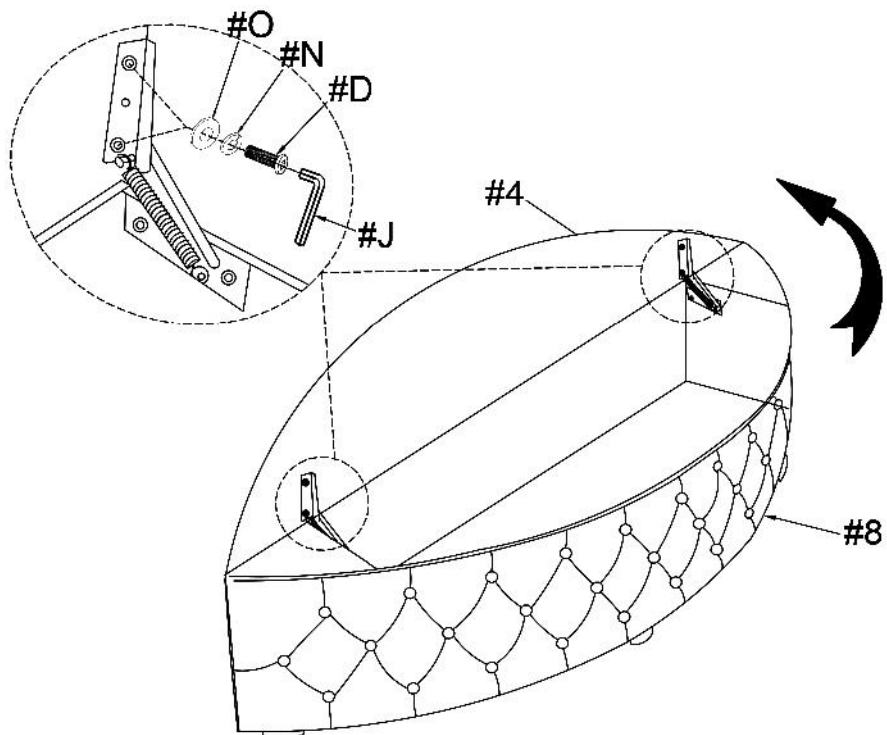
- Part #3 x1pc
- Hardware #D x4pcs
- Hardware #N x4pcs
- Hardware #O x4pcs



## 8

Align and attach Footboard Top Panel (#4) to Footboard (#8) using Bolt (#D) with Washers (#N, O)

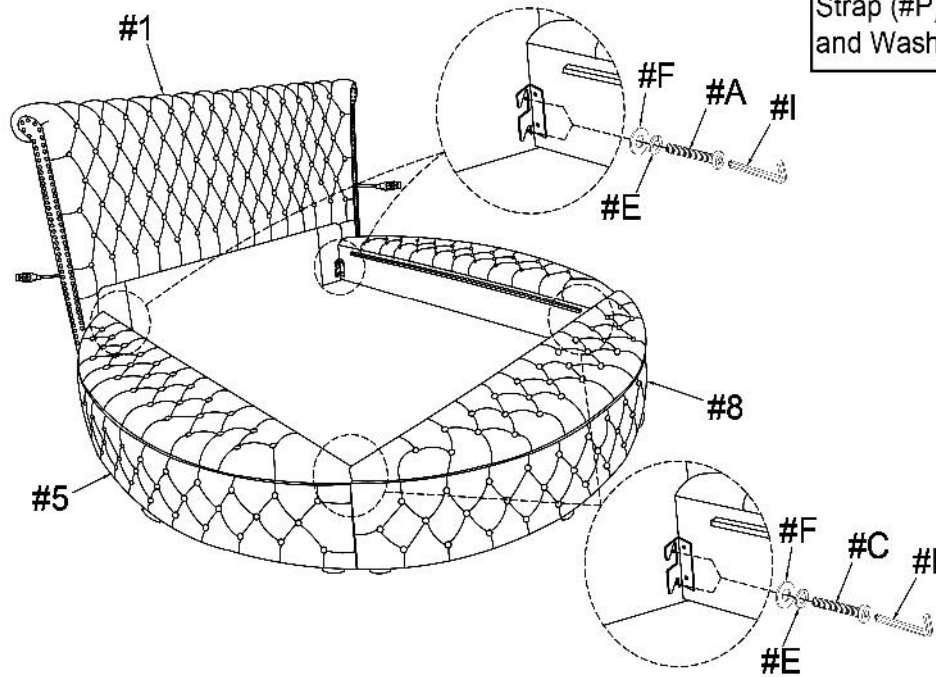
- Part #4 x1pc
- Hardware #D x4pcs
- Hardware #N x4pcs
- Hardware #O x4pcs



# ASSEMBLY INSTRUCTIONS

## 9

- Part #1 x1pc
- Hardware #A x4pcs
- Hardware #C x4pcs
- Hardware #E x8pcs
- Hardware #F x8pcs
- Hardware #P x2sets

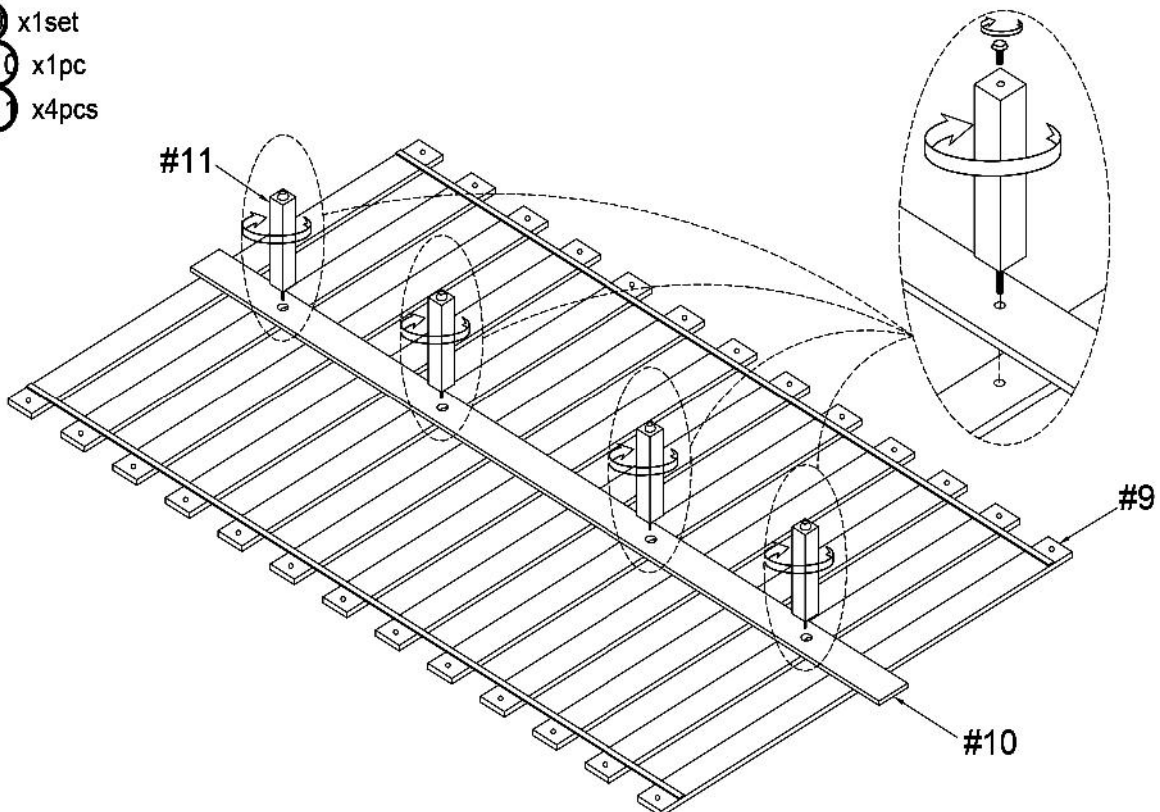


Align Side Rail with Fabric (#5) and Footboard (#8) to Headboard (#1) then, secure using Connection Strap (#P) with Bolts (#A, C) and Washers (#E, F)

## 10

- Part #9 x1set
- Part #10 x1pc
- Part #11 x4pcs

Align the Support Rail (#10) to the Slat (#9) and secure by inserting Support Leg (#11)

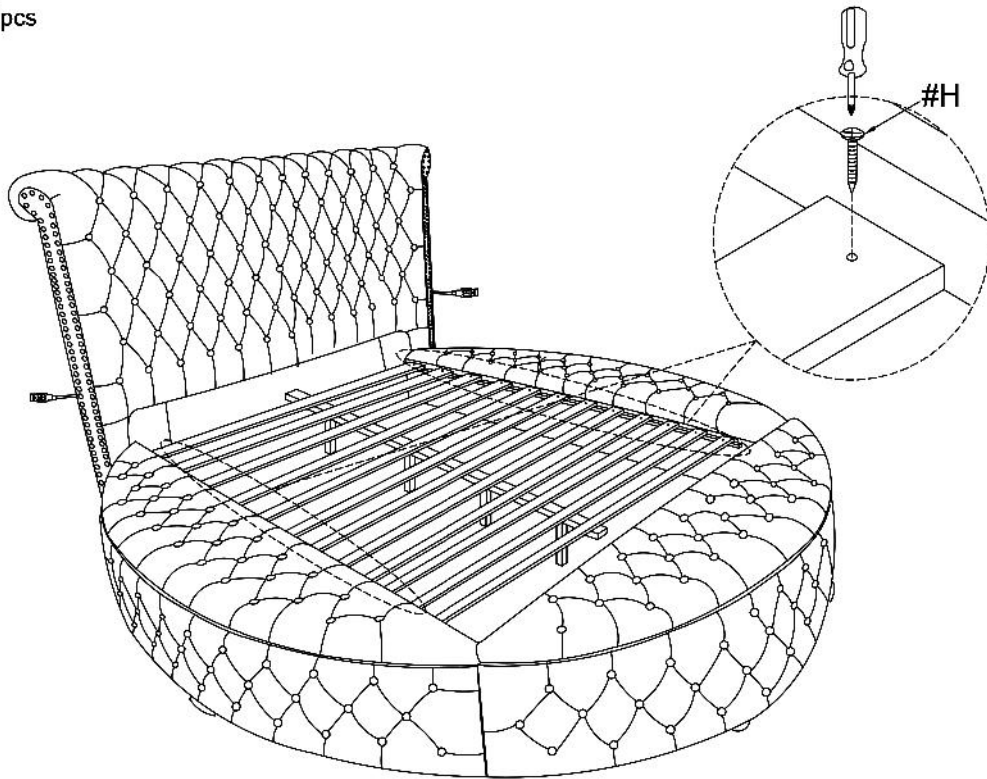


# ASSEMBLY INSTRUCTIONS

## 11

Align and attach Slat (#9) using Screw (#H)

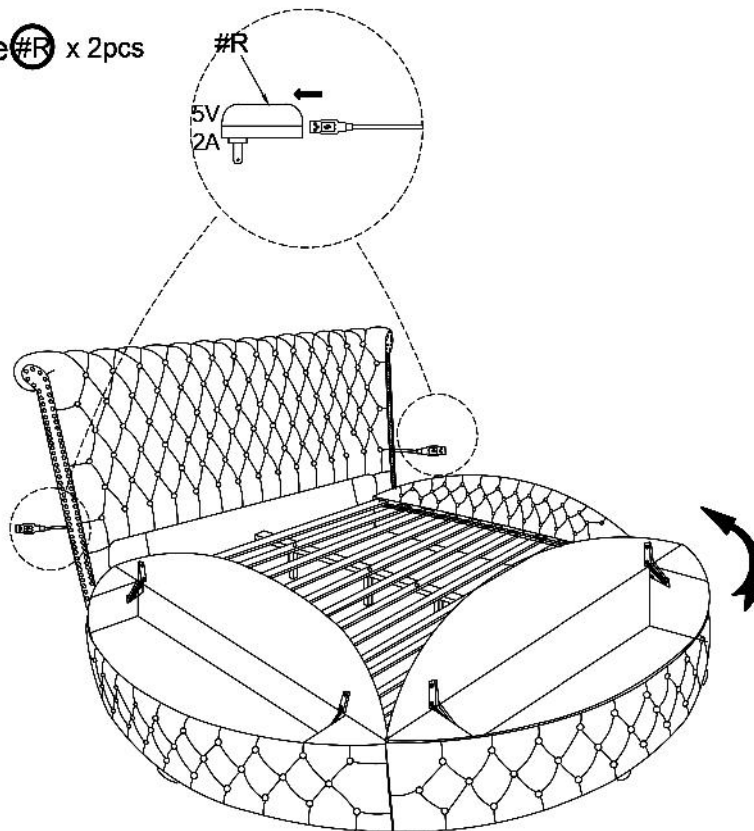
Hardware (#H) x 26pcs



## 12

Connect USB Connectors to Power (#R)

Hardware (#R) x 2pcs



## ASSEMBLY COMPLETED



Please ensure the furniture rests on an even and flat surface. If the product wobbles or feels loose, double-check all bolts and/or screws are properly tightened and secured.



### Keep this handy!

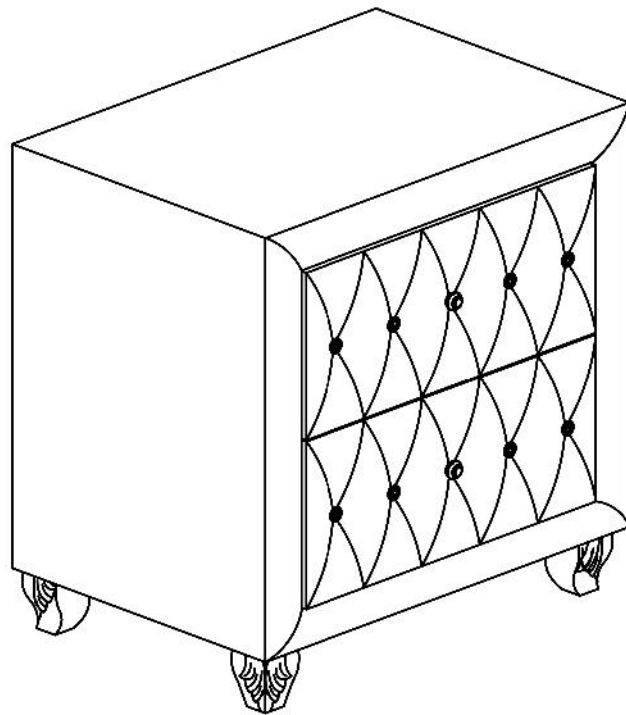
Please retain this instruction manual and any order-related information for future reference.



### Lift, don't drag!

To avoid damage to product please always LIFT the product when transporting or adjusting the placement.

# Assembly Instructions



## ASSEMBLY RATING

The Assembly Rating is a 5-point system that shows the degree of effort needed in assembling a specific product (with 1 being easy and 5 being difficult). For some products, two persons are recommended.

## Tools Required For Assembly:

Allen Wrench



(Included)

Philip Screwdriver



(Not Included)



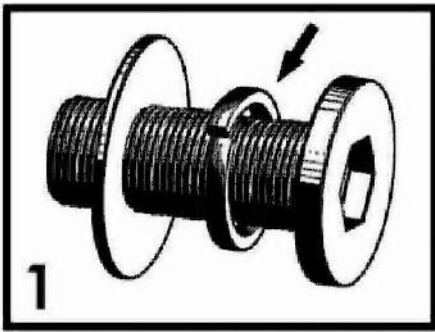
2 PERSONS RECOMMENDED

EASY  DIFFICULT

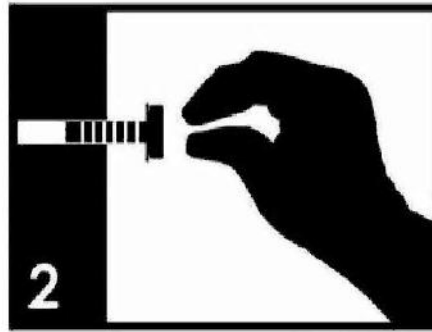
# ASSEMBLY & CARE ADVICE

FOR YOUR FURNITURE TO LAST, CORRECT ASSEMBLY AND PROPER MAINTENANCE ARE NECESSARY. PLEASE FOLLOW THE INFORMATION PROVIDED BELOW TO FULLY ENJOY YOUR FURNITURE.

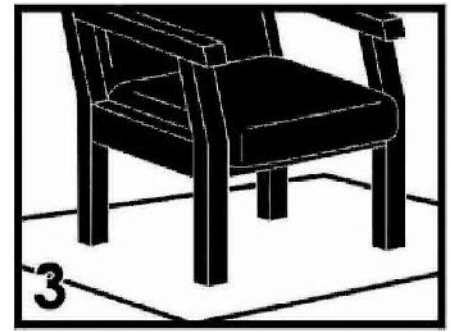
## BASIC ASSEMBLY TECHNIQUES



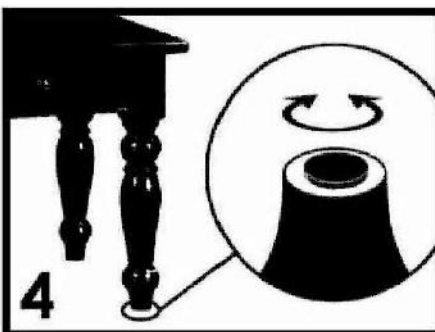
When lock or spring washer is used in an assembly, please make sure the lock or spring washer is placed between the larger flat washer and the head of the screw or bolt.



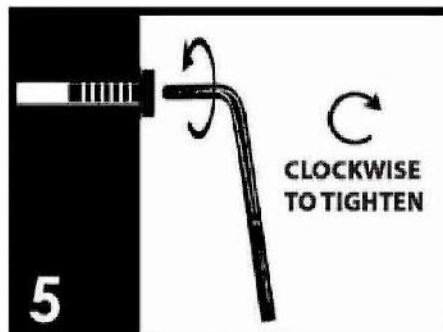
Position each part correctly and insert screws or bolts into their respective holes by hand tighten or using the proper hand tool. Only tighten when step is completed or when instructed to do so.



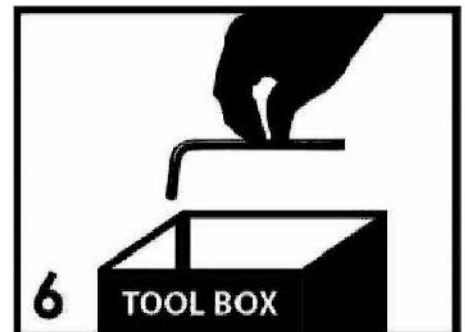
Use cardboard or carpet area when assembling furniture to prevent scratches. Make sure the furniture rests on a flat and level surface with each leg evenly touching the floor. No dragging of products/parts.



Some furniture comes with height adjustment knobs underneath each leg. To lower or to raise each leg, you need to turn clockwise or counterclockwise, respectively.



Make sure all parts are properly aligned, then use the appropriate hand tool to completely tighten the bolts or screws. Do not use power tools and do not overtighten.

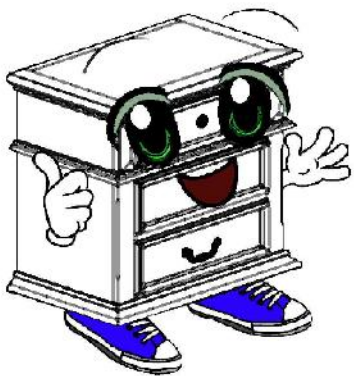


Save the instructions and store the Allen wrench or any supplied tool for later maintenance. After two weeks, check and tighten any loose hardware and repeat again every six months thereafter.

IT IS THE USER'S RESPONSIBILITY TO MAINTAIN THE FURNITURE. THE HARDWARE MAY LOOSEN OVER TIME AND MAY CAUSE THE FURNITURE TO BE WOBBLY AND UNABLE TO SUPPORT ITS INTENDED WEIGHT CAPACITY. THIS MAY LEAD TO COLLAPSE AND MAY CAUSE SERIOUS INJURY.



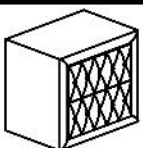
**FAILURE TO FOLLOW THE GUIDELINES ABOVE MAY RESULT IN INJURY AND/OR PROPERTY DAMAGE.**



Before you begin, please read Page 2 of "Assembly and Care Advice".

And remember, do not tighten until each step is completed or instructed.

### Parts List



#1 x 1pc  
Nightstand



#2 x 4pcs  
Bun Foot



#E x 1pc  
Allen Wrench M4

### Hardware List



#A x 4pcs  
Bolt  $\text{Ø}5/16"$  x 3-1/2"



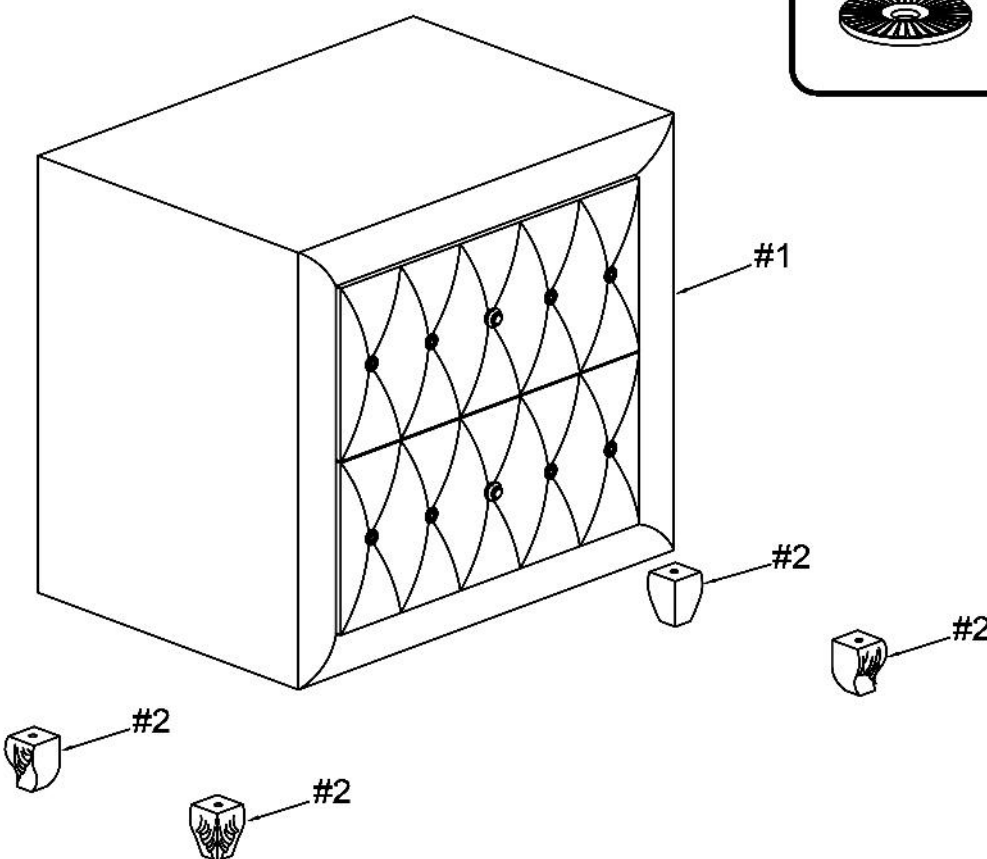
#B x 4pcs  
Lock Washer  $\text{Ø}5/16"$

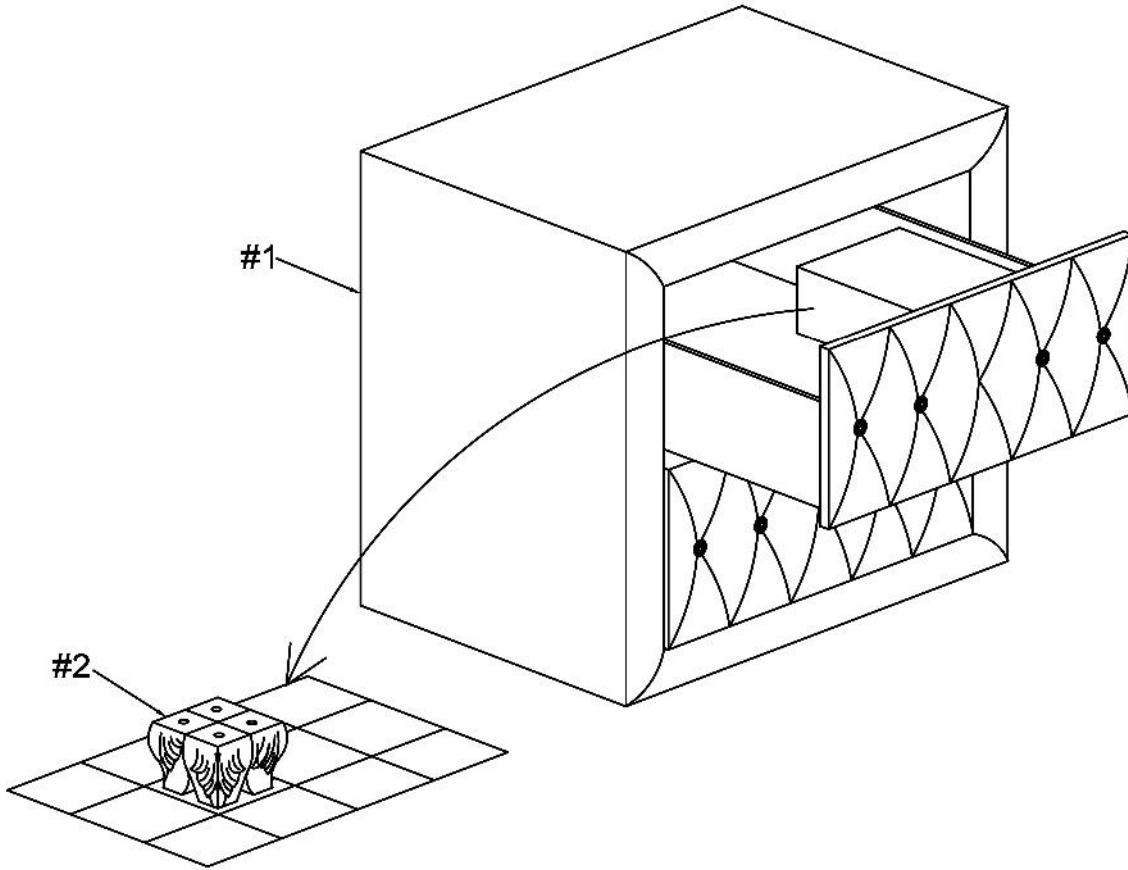


#C x 4pcs  
Flat Washer  $\text{Ø}5/16"$



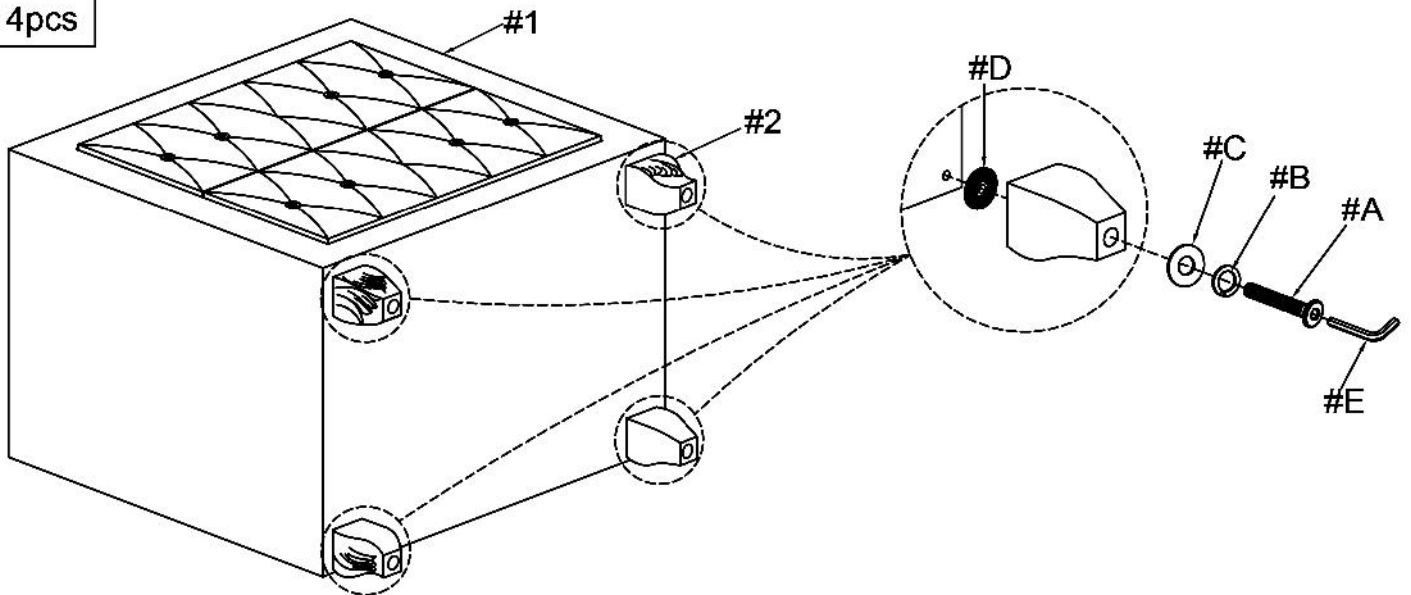
#D x 4pcs  
Anti Slip Sheet





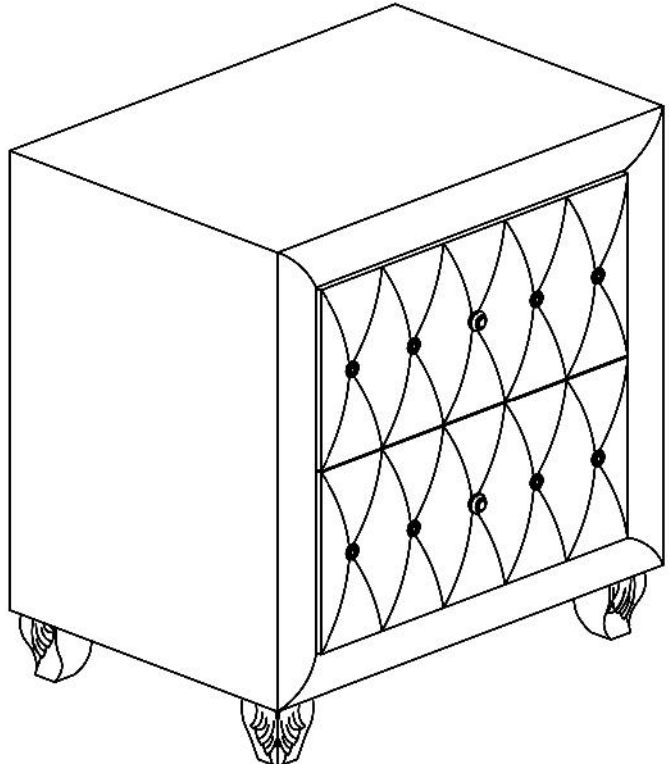
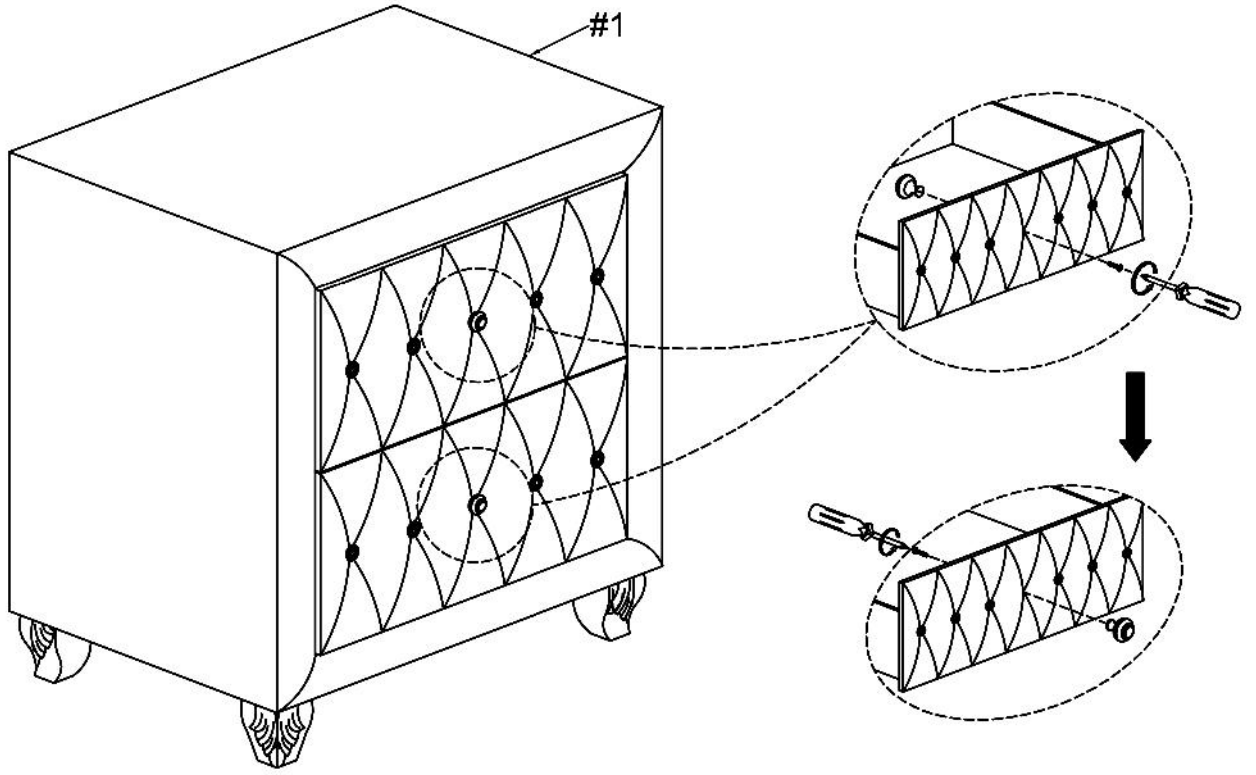
- #A x 4pcs
- #B x 4pcs
- #C x 4pcs
- #D x 4pcs

Align legs (#2) with washers (#D) to the nightstand (#1), then secure by using bolts (#A) with washers (#B,C).





Remove knobs from the inside then secure knobs to the outside.



**ASSEMBLY IS COMPLETED**