

ASSEMBLY INSTRUCTIONS

MODEL #

CM3498PT

Questions?

GIVE US CALL: 1-888-980-5122
MON-FRI 8:30AM - 5:30PM (PST)

TOOLS REQUIRED



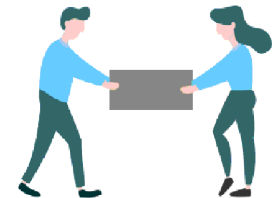
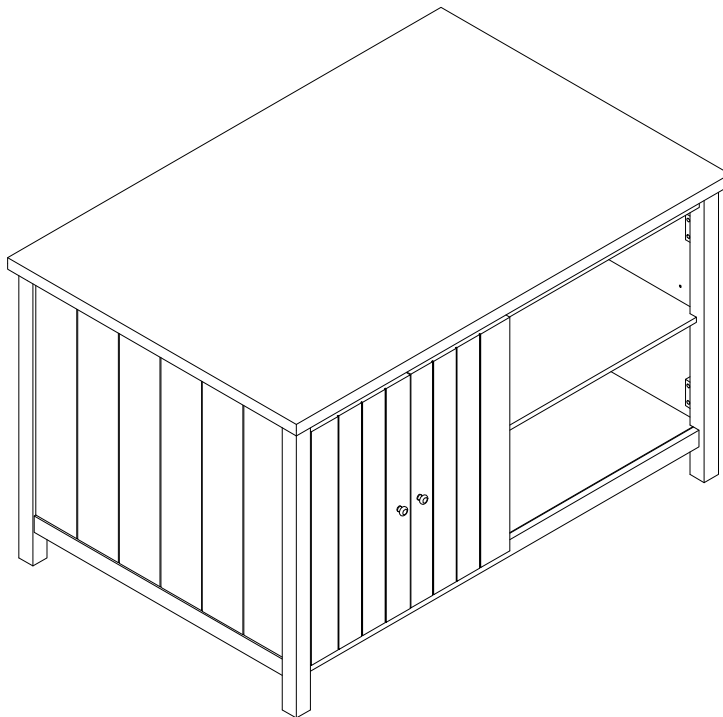
Allen Wrench

(Included)



Phillips
Screwdriver

(Not Included)



2 - People
Recommended

ASSEMBLY RATING



EASY —————> DIFFICULT

The Assembly Rating is a 5-point system showing the level of effort needed to assemble a specific product.




FOA Intro

Thank you for your purchase!

We hope you enjoy this new addition to your home for many years to come.

Our commitment to providing quality products does not simply end when you purchase our product. We fully stand behind our products from start to finish. Our customer service department is available Monday – Friday 8:30 AM – 5:30 PM Pacific and can help with assembly questions as well as, if necessary, replacing damaged or missing parts. To help expedite our service, please have these assembly instructions readily available, along with your order receipt.

 **Consumer Hotline**
Toll-Free 1-888-980-5122

 **Monday to Friday**
8:30AM- 5:30PM (PST)

 **WEBSITE**
www.foagroup.com

 **E-MAIL**
cs.ec@foagroup.com

    foagroup

 FurnitureOfAmerica

CHECK BEFORE STARTING

Are you missing anything?

Double-check all parts, hardware and accessories listed on Page 6 are accounted for.

Check out our Quick Tips!

We recommend reviewing the pre-assembly handouts. Even experts need a refresher now and then!

Should we send any replacements?

Are there any irregularities or flaws in the parts? We can send replacements!

Prep Time!

Please review the assembly instructions and all diagrams prior to assembling. Arrange parts as recommended on Page 7 and group identical hardware together to make assembling easier.

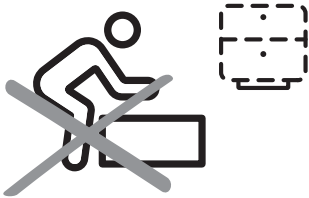
PRE ASSEMBLY INTRODUCTION

We understand building ready-to-assemble furniture can be a challenging experience for some. To help avoid confusion, we have provided some helpful tips that may speed up the process.



Teamwork

ALWAYS have at least two people to help with transporting and assembling the product to avoid potential injury and/or damage.



Suitable Location

Assembling near the area of the intended location is highly recommended.



Sufficient Space

Make sure you have enough space to move around during the assembly.



Avoid Scratches

Use cardboard, blankets or a carpeted area while assembling furniture to prevent scratches.



Flat Surface

Make sure the furniture rests on a flat and level surface with each leg evenly touching the floor.

ASSEMBLY AND CARE ADVICE



FAILURE TO FOLLOW THE GUIDELINES BELOW MAY RESULT IN INJURY AND/OR PROPERTY DAMAGE.



Position each part correctly and insert screws or bolts into their respective holes.



Turn clockwise to tighten and only tighten when step is completed or when instructed to do so.



Use the appropriate hand tools or power tools for assembly. Select steps, such as tightening screws and/or bolts, may require hand tools to avoid causing damage during assembly.



Save the instructions and store any supplied tools for later maintenance.



After two weeks, check and tighten any loose hardware and repeat again every six months thereafter.

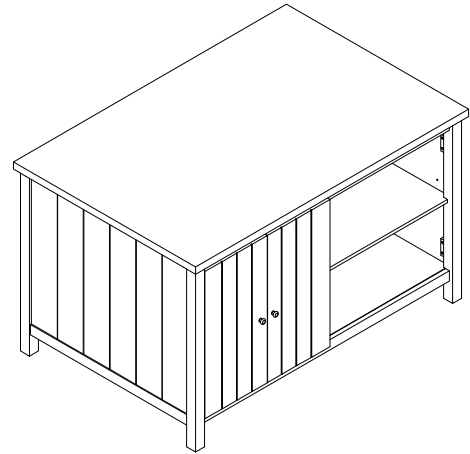
IT IS THE USER'S RESPONSIBILITY TO MAINTAIN THE FURNITURE. THE HARDWARE MAY LOOSEN OVER TIME AND MAY CAUSE THE FURNITURE TO BE WOBBLY AND UNABLE TO SUPPORT ITS INTENDED WEIGHT CAPACITY. THIS MAY LEAD TO COLLAPSE AND MAY CAUSE SERIOUS INJURY.

TABLE

CM3498PT



- Please keep instructions for future reference.
- Check the quantity and irregularity of parts and hardware before you start.



PARTS

#1 1pc

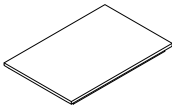
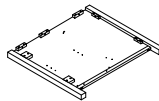


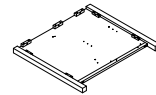
Table Top

#2 1pc



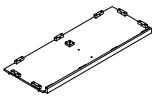
Left Frame

#3 1pc



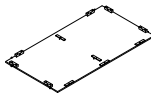
Right Frame

#4 1pc



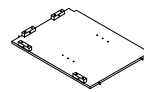
Bottom Panel

#5 1pc



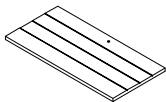
Back Panel

#6 1pc



Bottom Divider

#7 2pcs



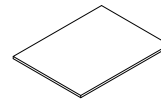
Door(L&R)

#8 1pc



Support Leg
30x30x104mm

#9 2pcs



Shelf

HARDWARE

#A 23pcs



Bolt Ø1/4" x 1-3/4"

#B 23pcs



Lock Washer
Ø1/4"x13mm

#C 23pcs



Flat Washer
Ø1/4"x19mm

#D 2pcs



Left door hinge

HARDWARE

#E 2pcs



Right door hinge

#F 24pcs



Screw #3 x 15mm

#G 8pcs



Shelf Support

#H 8pcs



Screw #3 x 12mm

#I 2pcs



Handle

#K 2pcs



Bolt Ø5/32" x 22mm

#L 3pcs



Screw #8 x 25mm

#M 16pcs

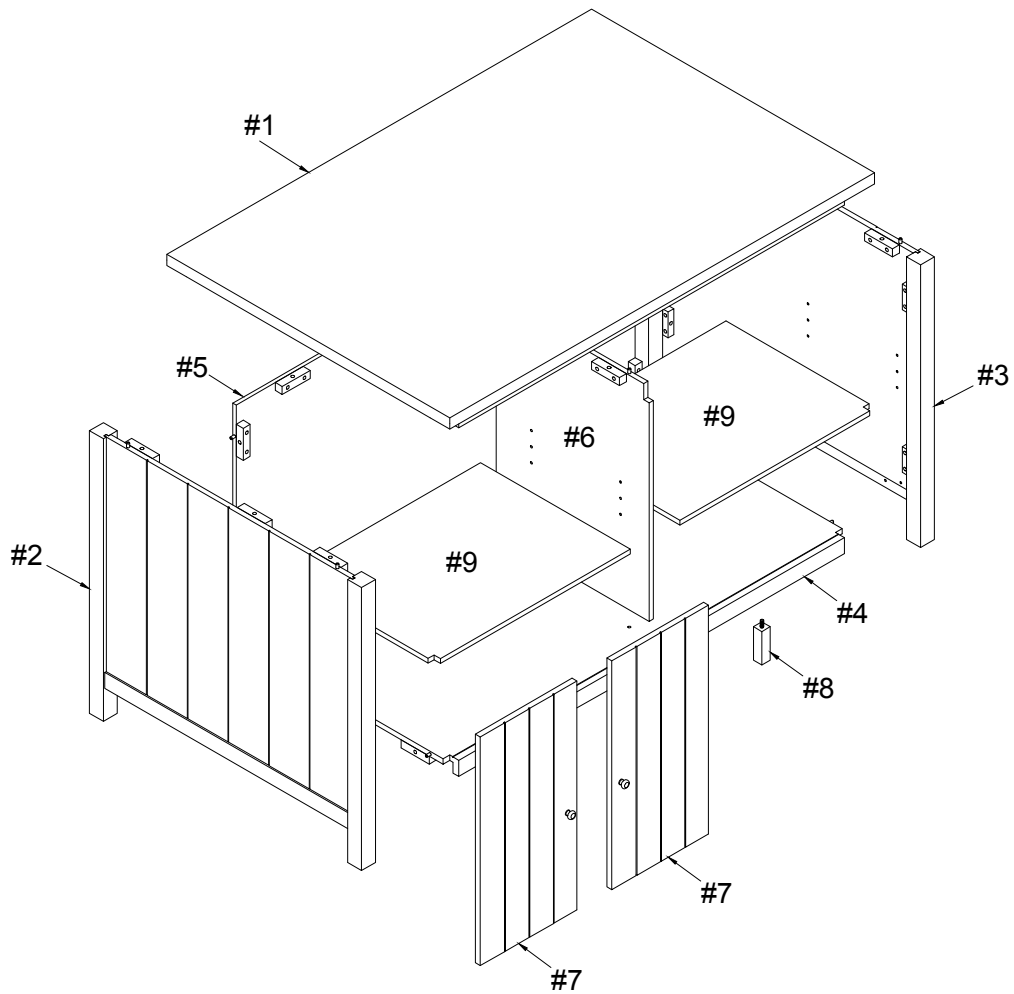


Wooden Dowel
Ø8 x 30mm

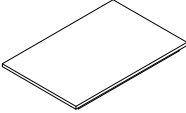













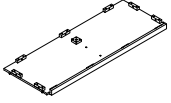
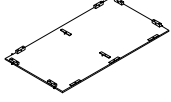
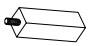
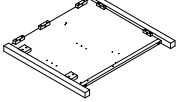
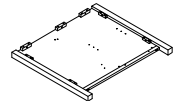
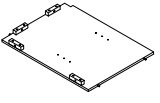
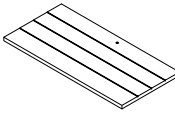
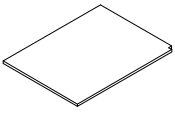
#N 1pc



Allen Wrench M4



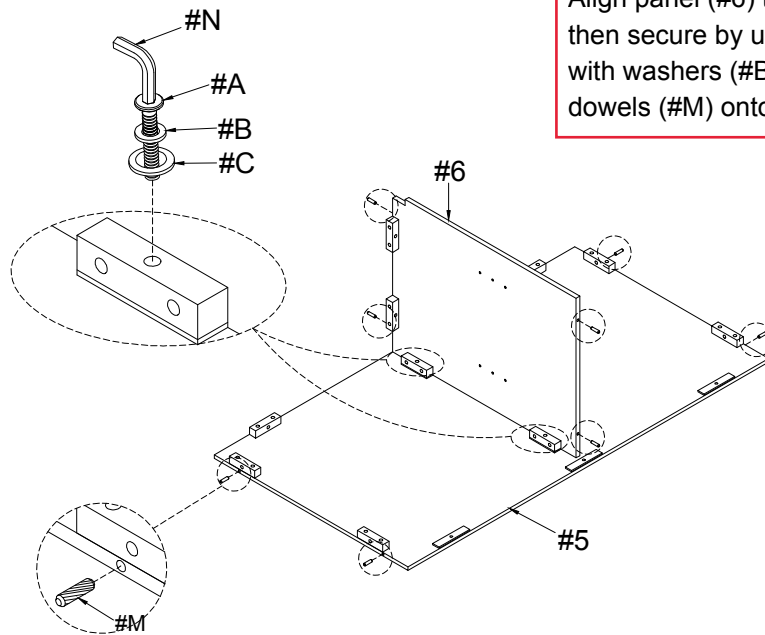
CM3498PT is packed in 2 cases

Carton	Disignation		Part	Hardware
CM3498PT-1	Top Table	#1		 #A x 23pcs  #B x 23pcs  #C x 23pcs  #D x 2pcs  #E x 2pcs  #F x 24pcs  #G x 8pcs  #H x 8pcs  #I x 2pcs  #K x 2pcs  #L x 3pcs  #M x 16pcs  #N x 1pc
	Bottom Panel	#4		
	Back Panel	#5		
	Support Leg (30x30x104mm)	#8		
CM3498PT-2	Left Frame	#2		
	Right Frame	#3		
	Bottom Divider	#6		
	Door L&R (2pcs)	#7		
	Shelf (2pcs)	#9		

ASSEMBLY INSTRUCTIONS

1

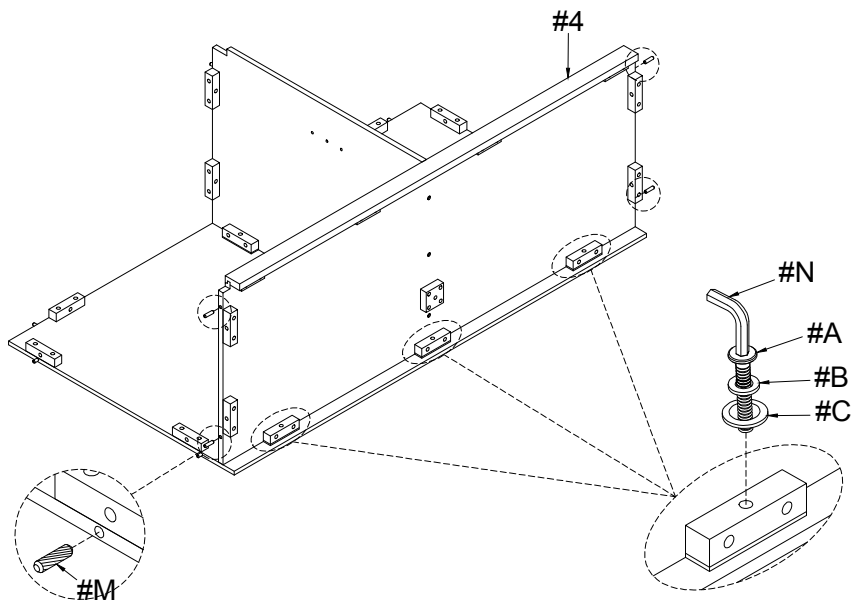
- Part #5 x1pc
- Part #6 x1pc
- Hardware #A x2pcs
- Hardware #B x2pcs
- Hardware #C x2pcs
- Hardware #M x8pcs



Align panel (#6) to panel (#5), then secure by using bolts (#A) with washers (#B,C). Insert dowels (#M) onto panels (#5,6).

2

- Part #4 x1pc
- Hardware #A x3pcs
- Hardware #B x3pcs
- Hardware #C x3pcs
- Hardware #M x4pcs



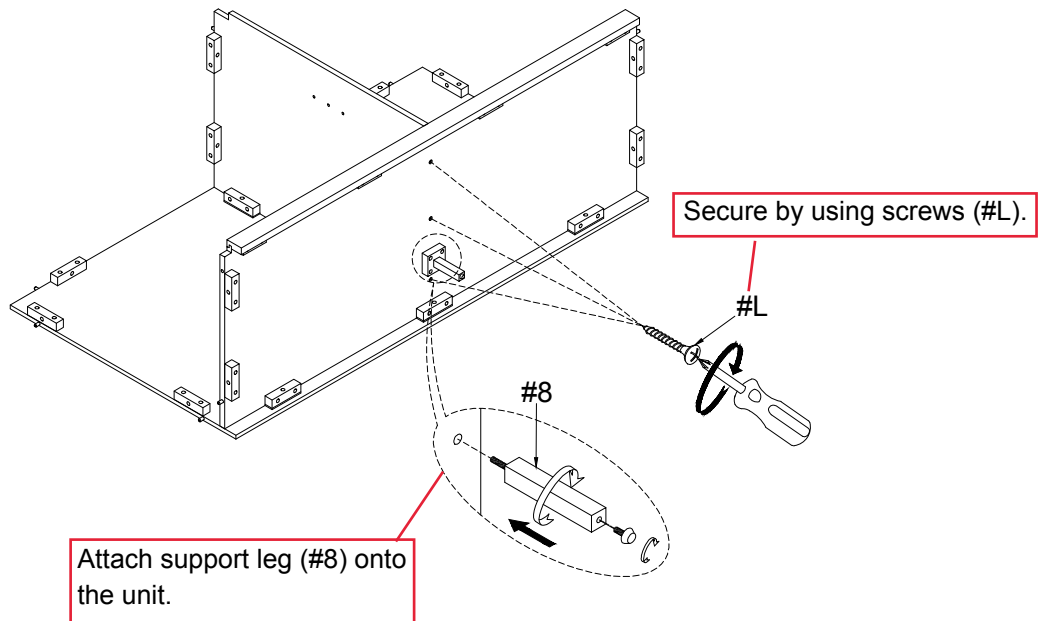
Align panel (#4) to the unit, then secure by using bolts (#A) with washers (#B,C). Insert dowels (#M) to panel (#4).

ASSEMBLY INSTRUCTIONS

3

Part #8 x1pc

Hardware #L x3pcs



4

Part #2 x1pc

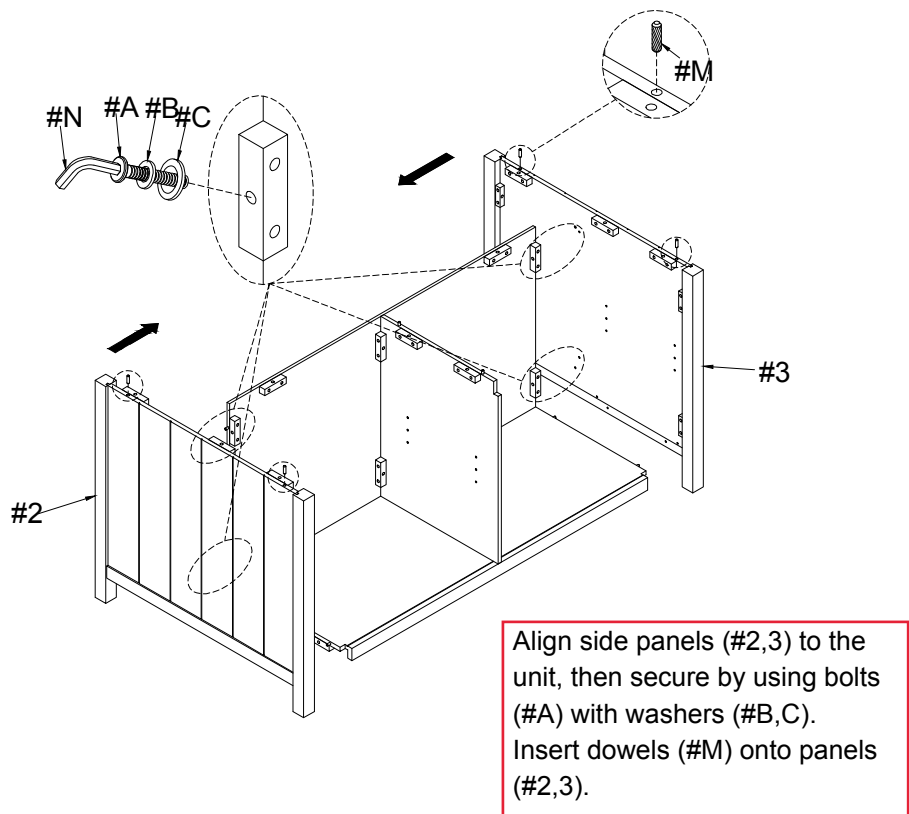
Part #3 x1pc

Hardware #A x4pcs

Hardware #B x4pcs

Hardware #C x4pcs

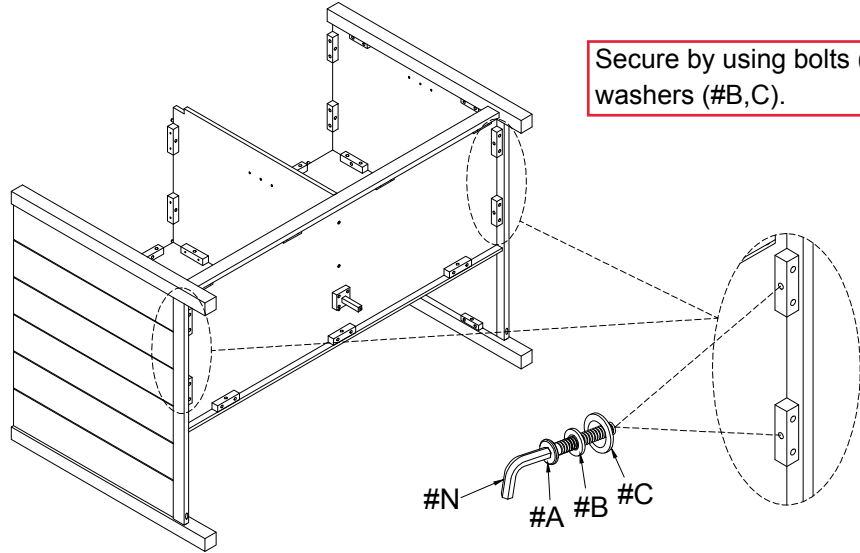
Hardware #M x4pcs



ASSEMBLY INSTRUCTIONS

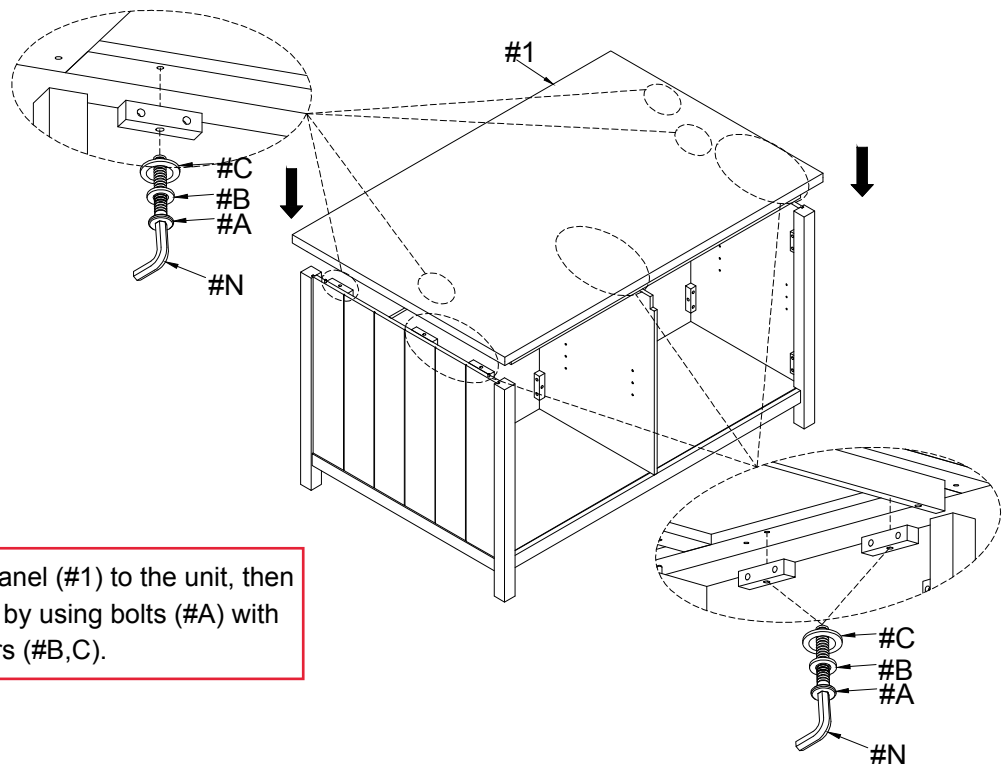
5

- Hardware **#A** x4pcs
- Hardware **#B** x4pcs
- Hardware **#C** x4pcs



6

- Part **#1** x1pc
- Hardware **#A** x10pcs
- Hardware **#B** x10pcs
- Hardware **#C** x10pcs



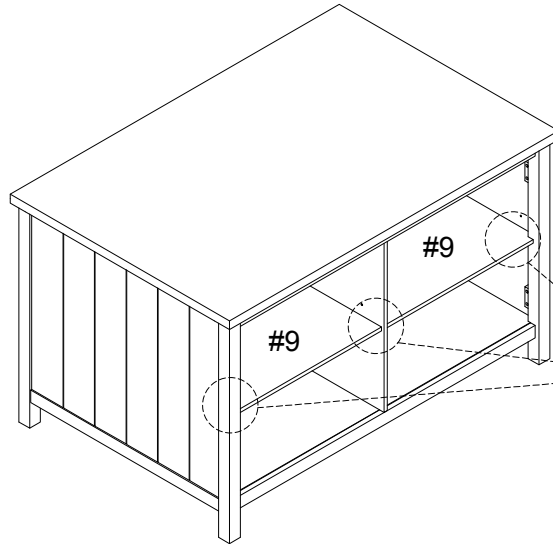
ASSEMBLY INSTRUCTIONS

7

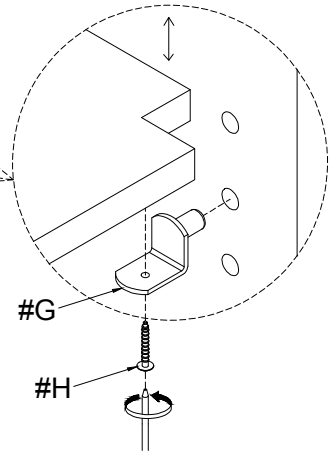
Part #9 x2pcs

Hardware #G x8pcs

Hardware #H x8pcs



Insert shelf pins (#G) according to the desired height of the shelves (#9), then secure the shelf pins (#G) to the shelves (#9) by using screws (#H).



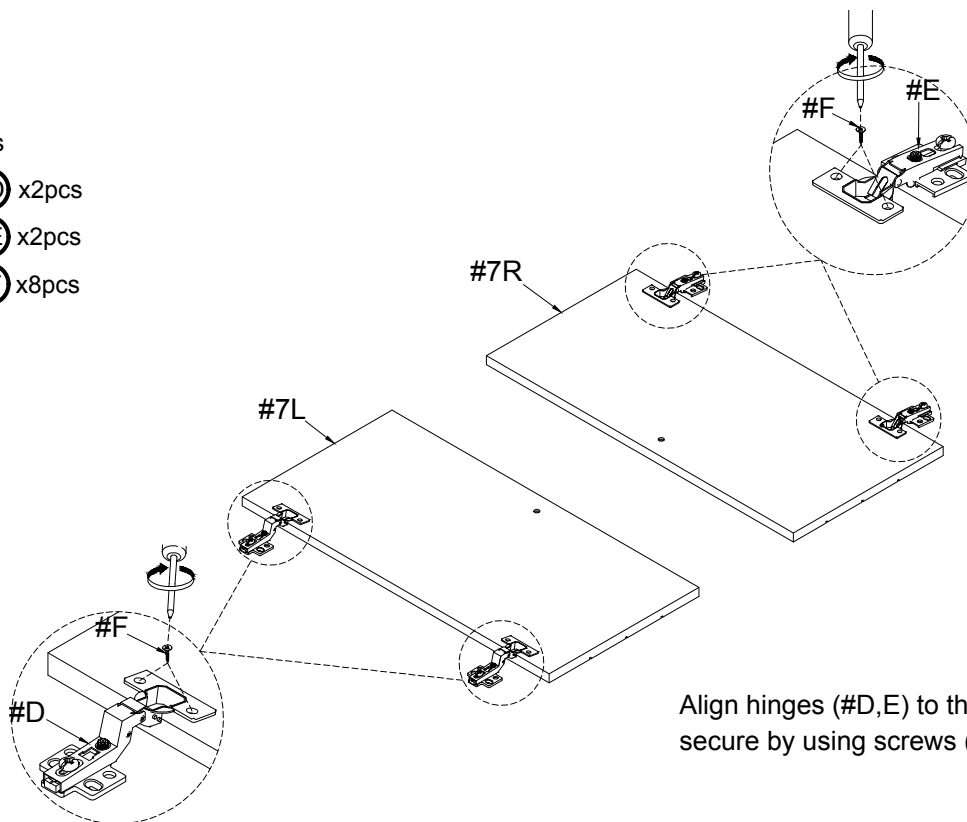
8

Part #7 x2pcs

Hardware #D x2pcs

Hardware #E x2pcs

Hardware #F x8pcs

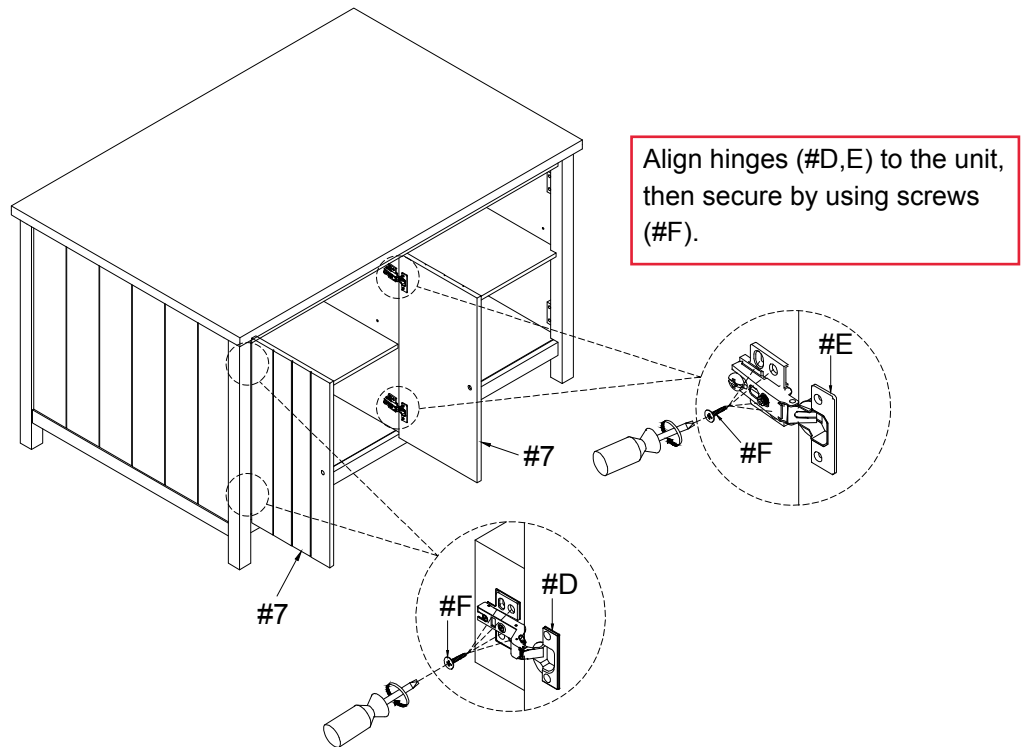


Align hinges (#D,E) to the doors (#7R/L), then secure by using screws (#F).

ASSEMBLY INSTRUCTIONS

9

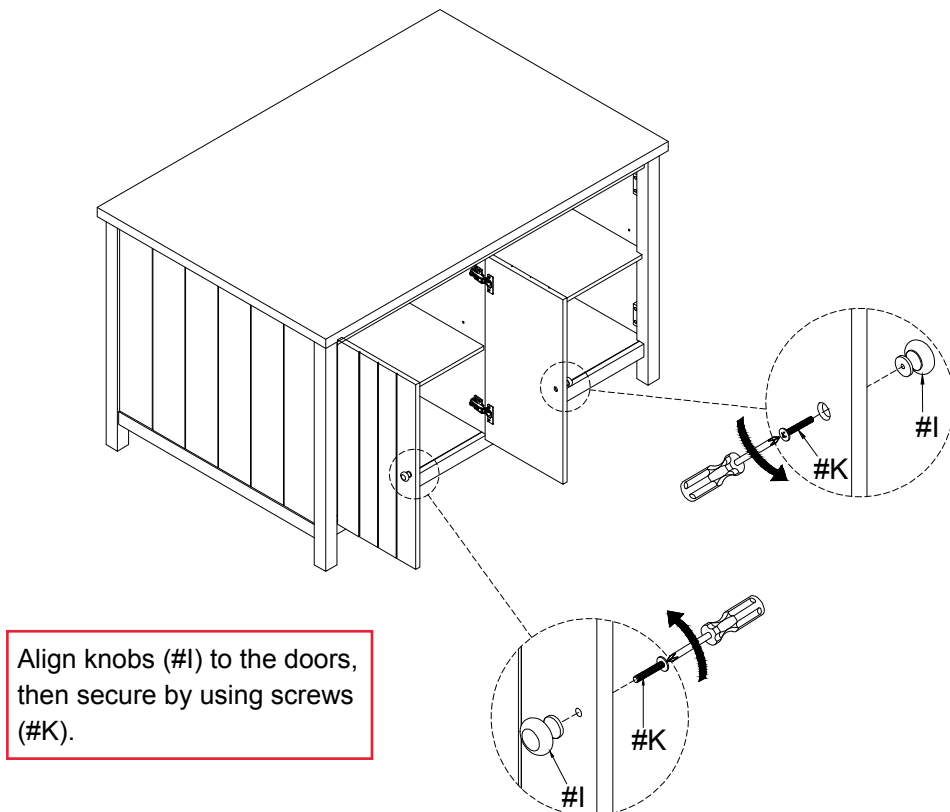
Hardware  #F x 16pcs



10

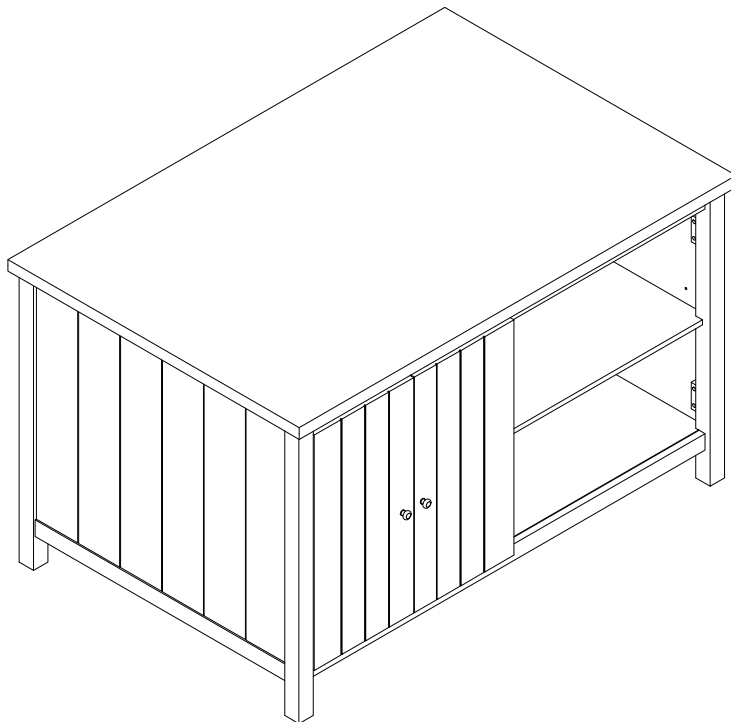
Hardware  #I x 2pcs

Hardware  #K x 2pcs



ASSEMBLY INSTRUCTIONS

11



ASSEMBLY COMPLETED



Please ensure the furniture rests on an even and flat surface. If the product wobbles or feels loose, double-check all bolts and/or screws are properly tightened and secured.

✓ **Keep this handy!**

Please retain this instruction manual and any order-related information for future reference.

✓ **Lift, don't drag!**

To avoid damage to product please always LIFT the product when transporting or adjusting the placement.