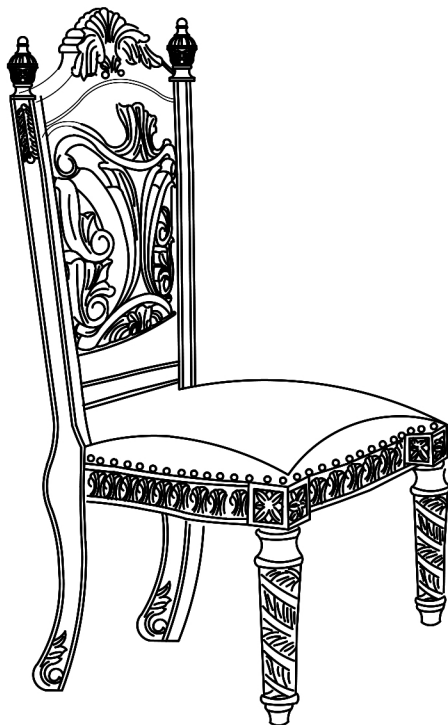


# ASSEMBLY INSTRUCTIONS

---



## TOOLS REQUIRED



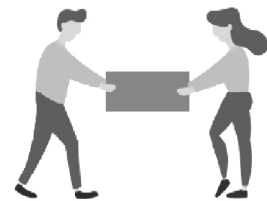
Allen Wrench

(Included)



Phillips  
Screwdriver

(Not Included)



2 - People  
Recommended

## ASSEMBLY RATING



EASY —————> DIFFICULT

The Assembly Rating is a 5-point system showing the level of effort needed to assemble a specific product.



## **CHECK BEFORE STARTING**

### **Are you missing anything?**

Double-check all parts, hardware and accessories listed on Page 6 are accounted for.

### **Check out our Quick Tips!**

We recommend reviewing the pre-assembly handouts. Even experts need a refresher now and then!

### **Should we send any replacements?**

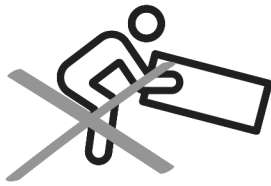
Are there any irregularities or flaws in the parts? We can send replacements!

### **Prep Time!**

Please review the assembly instructions and all diagrams prior to assembling. Arrange parts as recommended on Page 7 and group identical hardware together to make assembling easier.

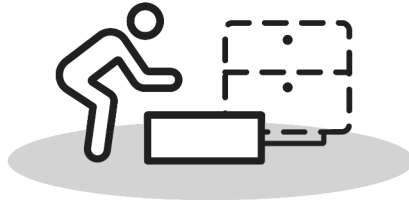
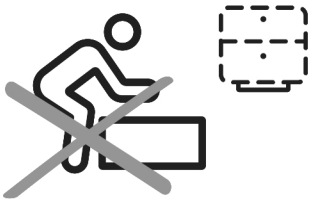
# PRE ASSEMBLY INTRODUCTION

We understand building ready-to-assemble furniture can be a challenging experience for some. To help avoid confusion, we have provided some helpful tips that may speed up the process.



## Teamwork

ALWAYS have at least two people to help with transporting and assembling the product to avoid potential injury and/or damage.



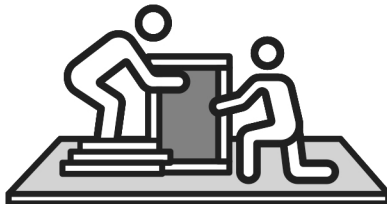
## Suitable Location

Assembling near the area of the intended location is highly recommended.



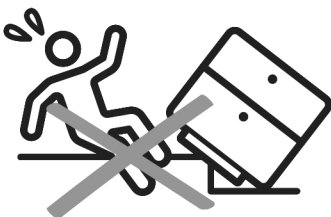
## Sufficient Space

Make sure you have enough space to move around during the assembly.



## Avoid Scratches

Use cardboard, blankets or a carpeted area while assembling furniture to prevent scratches.



## Flat Surface

Make sure the furniture rests on a flat and level surface with each leg evenly touching the floor.

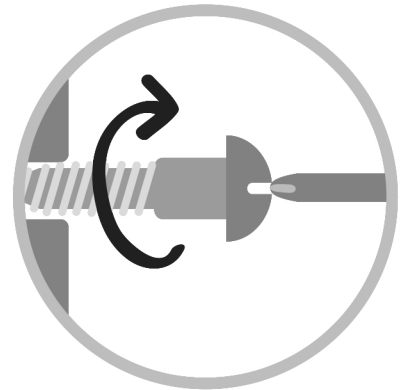
# ASSEMBLY AND CARE ADVICE



**FAILURE TO FOLLOW THE GUIDELINES BELOW MAY RESULT IN INJURY AND/OR PROPERTY DAMAGE.**



Position each part correctly and insert screws or bolts into their respective holes.



Turn clockwise to tighten and only tighten when step is completed or when instructed to do so.



Use the appropriate hand tools or power tools for assembly. Select steps, such as tightening screws and/or bolts, may require hand tools to avoid causing damage during assembly.



Save the instructions and store any supplied tools for later maintenance.



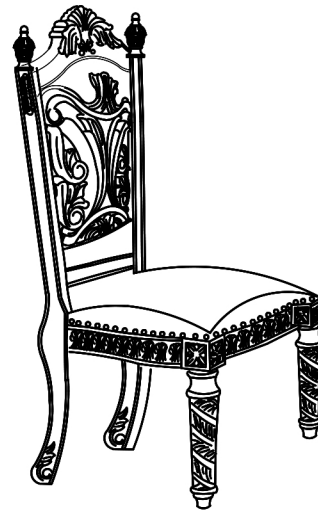
After two weeks, check and tighten any loose hardware and repeat again every six months thereafter.

**IT IS THE USER'S RESPONSIBILITY TO MAINTAIN THE FURNITURE. THE HARDWARE MAY LOOSEN OVER TIME AND MAY CAUSE THE FURNITURE TO BE WOBBLY AND UNABLE TO SUPPORT ITS INTENDED WEIGHT CAPACITY. THIS MAY LEAD TO COLLAPSE AND MAY CAUSE SERIOUS INJURY.**

# SIDE CHAIR



• Please keep instructions for future reference.  
 • Check the quantity and irregularity of parts and hardware before you start.



## PARTS

#1 1pc x2



Chair Back

#2 1pc x2



Chair Seat

#3 2pcs x2



Legs

#4 2pcs x2



chair top post

## HARDWARE

#A 4pcs x2



Bolt  
 Ø5/16" x 3-1/4"

#B 4pcs x2



Bolt  
 Ø5/16" x 2-1/4"

#C 1pcs x2



Bolt  
 Ø5/16" x 1-3/4"

#D 9pcs x2



Lock Washer  
 Ø5/16"

#E 9pcs x2



Flat Washer  
 Ø5/16"x22mm

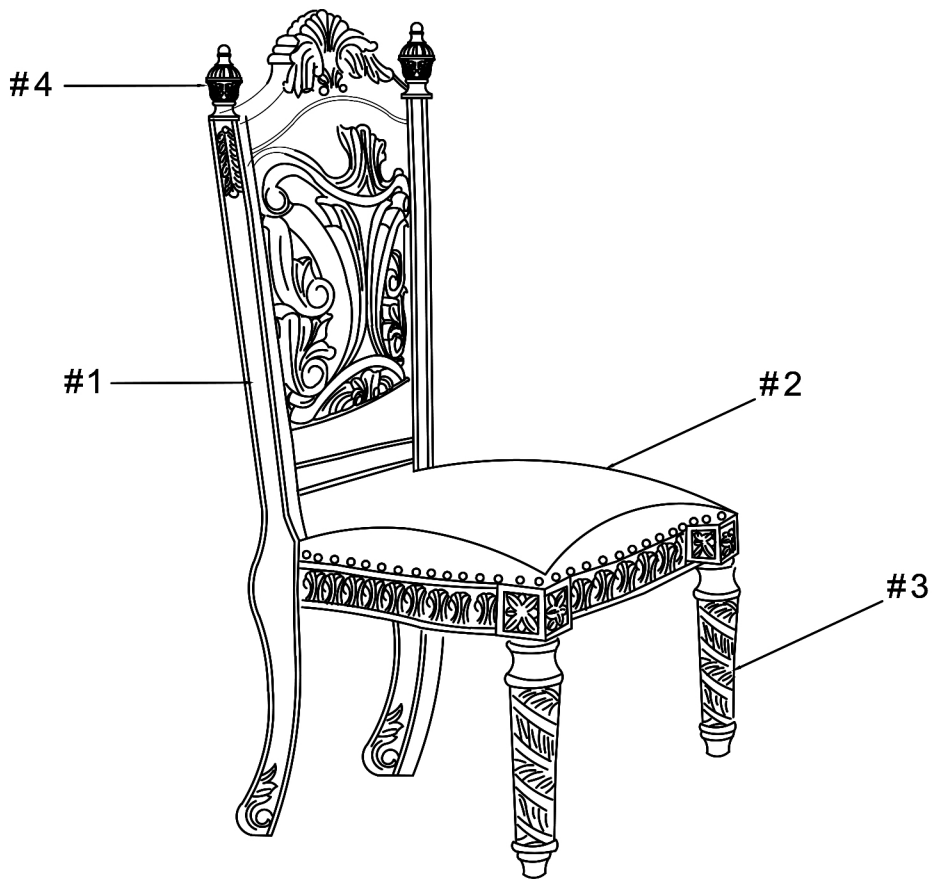
#F 1pc x2



Allen Wrench M4

# Exploded View

x 2

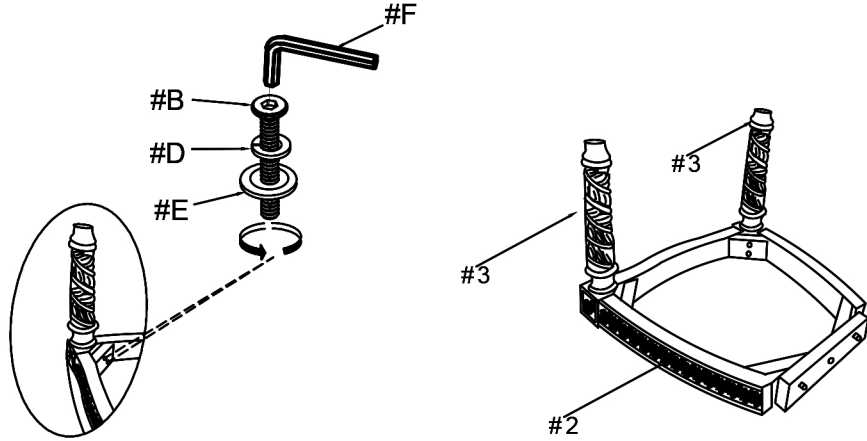


# ASSEMBLY INSTRUCTIONS

Insert the Leg (#3) into the Chair seat (#2) and secure by using Bolt (#B) with Lock washer (#D) and Flat washer (#E).

1

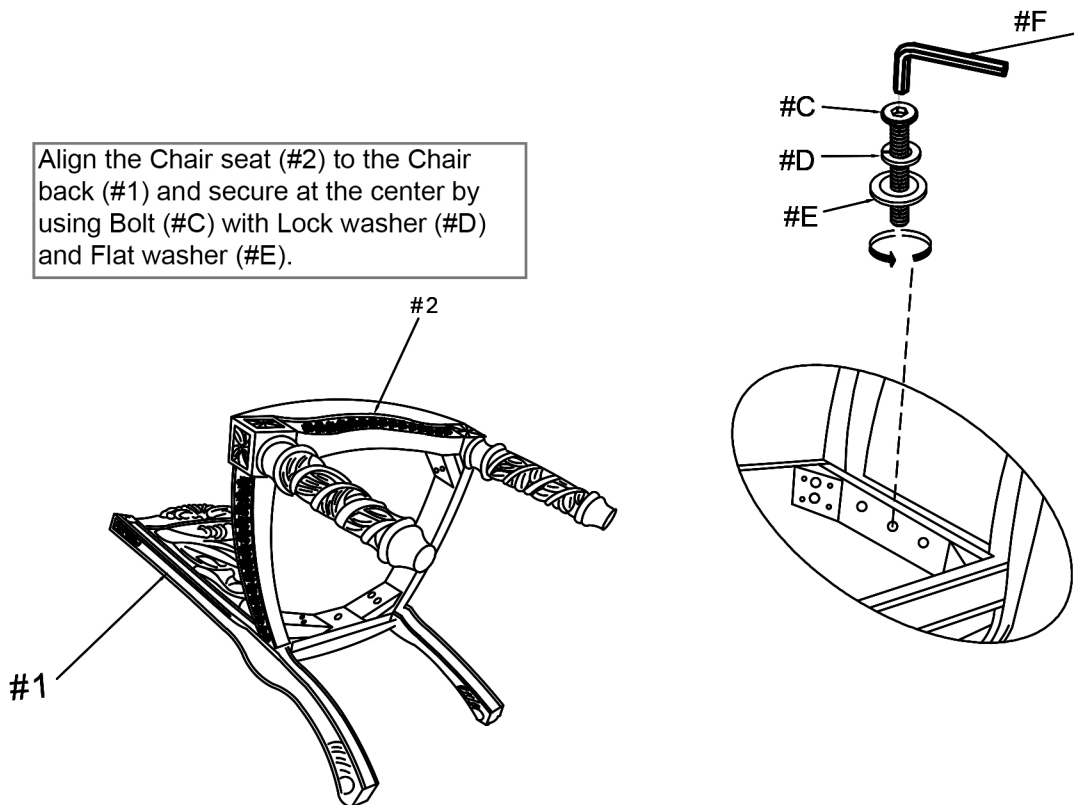
- Part #2 x1pc
- Part #3 x2pc
- Hardware #B x4pcs
- Hardware #D x4pcs
- Hardware #E x4pcs



Align the Chair seat (#2) to the Chair back (#1) and secure at the center by using Bolt (#C) with Lock washer (#D) and Flat washer (#E).

2

- Hardware #C x1pc
- Hardware #D x1pc
- Hardware #E x1pc



# ASSEMBLY INSTRUCTIONS

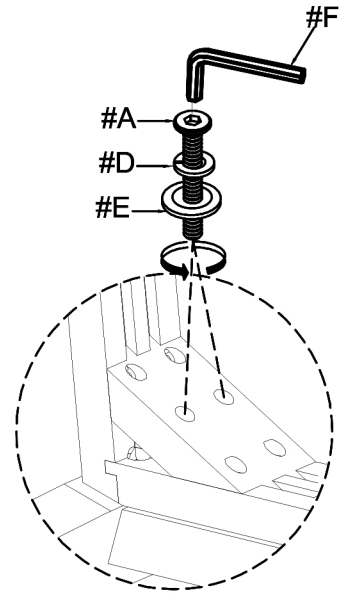
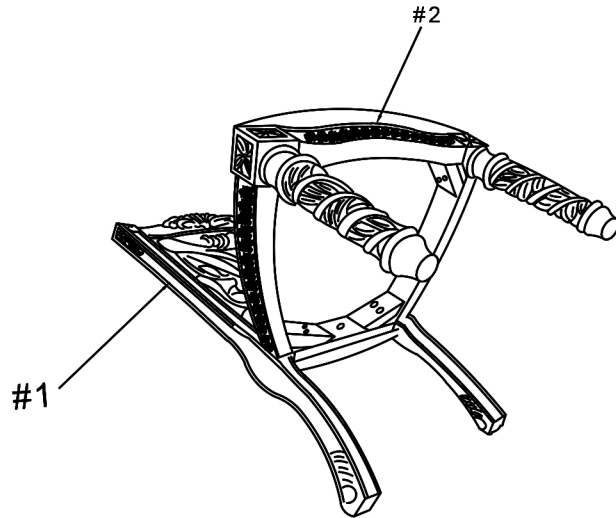
## 3

Hardware **#A** x4pcs

Hardware **#D** x4pcs

Hardware **#E** x4pcs

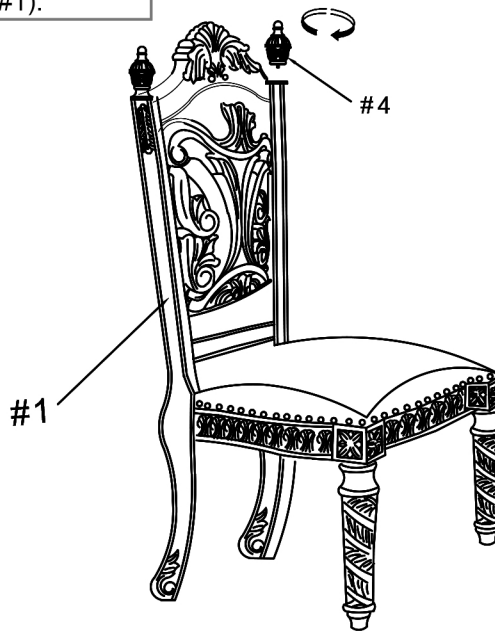
Secure the sides of the Chair Seat (#2) to the Chair back (#1) by using Bolts (#A) with Lock washer (#D) and Flat washer (#E).



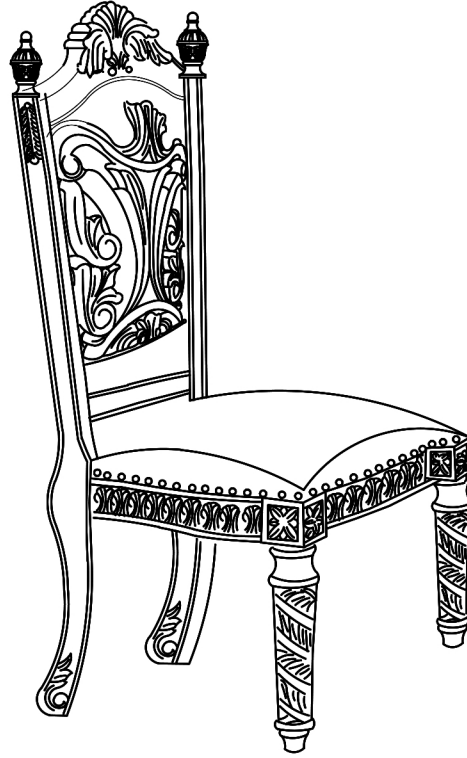
## 4

Part **#4** x2pcs

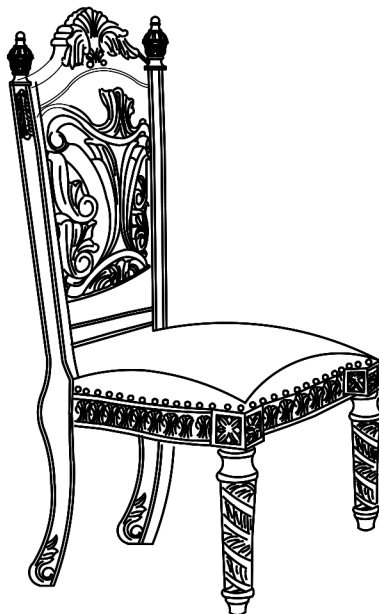
Attach the Chair top post (#4) to the Chair back (#1).



# ASSEMBLY INSTRUCTIONS



5



## ASSEMBLY COMPLETED



Please ensure the furniture rests on an even and flat surface. If the product wobbles or feels loose, double-check all bolts and/or screws are properly tightened and secured.

✓ **Keep this handy!**

Please retain this instruction manual and any order-related information for future reference.

✓ **Lift, don't drag!**

To avoid damage to product please always LIFT the product when transporting or adjusting the placement.