

Thank you for your purchase!

We hope you enjoy this new addition to your home for many years to come.

Our commitment to providing quality products does not simply end when you purchase our product. We fully stand behind our products from start to finish. Our customer service department is available Monday – Friday 8:30 AM – 5:30 PM Pacific Time and can help with assembly questions as well as, if necessary, replacing damaged or missing parts. To help expedite our service, please have these assembly instructions readily available, along with your order receipt.



2 - People  
Recommended

#### ASSEMBLY RATING



EASY ————— DIFFICULT

The Assembly Rating is a 5-point system showing the level of effort needed to assemble a specific product.



## CHECK BEFORE STARTING



### Are you missing anything?

Double-check all parts, hardware and accessories listed are all accounted for.



### Check out our Quick Tips!

We recommend reviewing the pre-assembly handouts. Even experts need a refresher now and then!



### Should we send any replacements?

Are there any irregularities or flaws in the parts? We can send replacements!



### Prep Time!

Please review the assembly instructions and all diagrams prior to assembling.

# PRE ASSEMBLY INTRODUCTION

We understand building ready-to-assemble furniture can be a challenging experience for some. To help avoid confusion, we have provided some helpful tips that may speed up the process.



## Teamwork

ALWAYS have at least two people to help with transporting and assembling the product to avoid potential injury and/or damage.



## Suitable Location

Assembling near the area of the intended location is highly recommended.



## Sufficient Space

Make sure you have enough space to move around during the assembly.



## Avoid Scratches

Use cardboard, blankets or a carpeted area while assembling furniture to prevent scratches and damages.



## Flat Surface

Make sure the furniture rests on a flat and level surface with each leg evenly touching the floor.

IT IS THE USER'S RESPONSIBILITY TO MAINTAIN THE FURNITURE. THE HARDWARE MAY LOOSEN OVER TIME AND MAY CAUSE THE FURNITURE TO BE WOBBLY AND UNABLE TO SUPPORT ITS INTENDED WEIGHT CAPACITY. THIS MAY LEAD TO COLLAPSE AND MAY CAUSE SERIOUS INJURY.

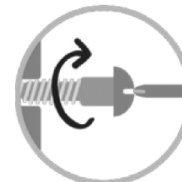
# ASSEMBLY AND CARE ADVICE



FAILURE TO FOLLOW THE GUIDELINES BELOW MAY RESULT IN INJURY AND/OR PROPERTY DAMAGE.



Position each part correctly and insert screws or bolts into their respective holes.



Turn clockwise to tighten and only tighten when step is completed or when instructed to do so.



Use the appropriate hand tools or power tools for assembly. Select steps, such as tightening screws and/or bolts, may require hand tools to avoid causing damage during assembly.



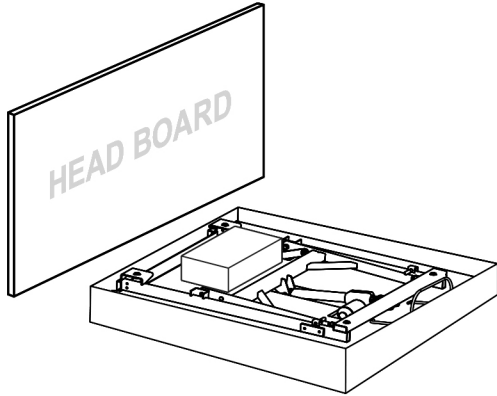
Save the instructions and store any supplied tools for later maintenance.



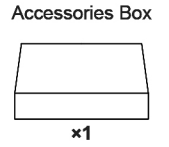
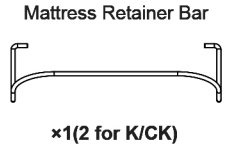
After two weeks, check and tighten any loose hardware and repeat again every six months thereafter.

# Setup the power foundation without the bed frame.

**1** Open the box lid.



**2** Take out all the accessories from the packaging and put them aside. All electronics and components that need to be installed are located in boxes under the foundation or attached to the frame. Before discarding the packing materials, ensure that all the parts are accounted for.



## ACCESSORIES BOX:

Adjustable Legs



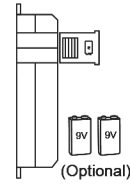
x6

Remote Control



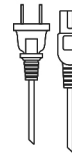
x1

Power Supply with Battery Backup Box



x1

AC Power Cord



x1

Sync Cord  
(for use with Twin XL model only)



x1

AAA Batteries



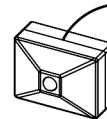
x3

Mounting Bracket



x2

Motion Sensor

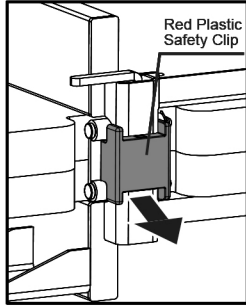


x2

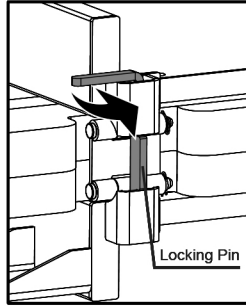
# 3

Remove the red plastic safety lock before unfolding your power foundation.

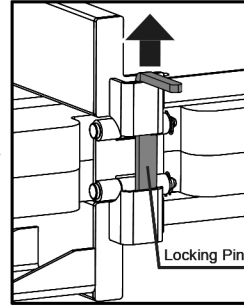
Remove the red plastic safety clip.



Turn the locking pin 90° in counter clockwise direction.

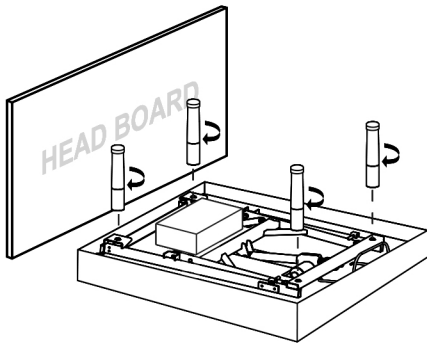


Remove the folding locking pin by pulling upwards.



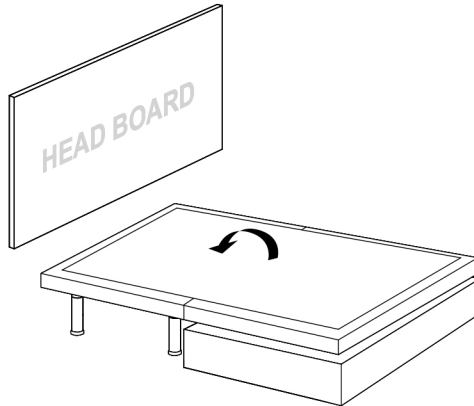
# 4

Install 4 legs, make sure the legs are tight.



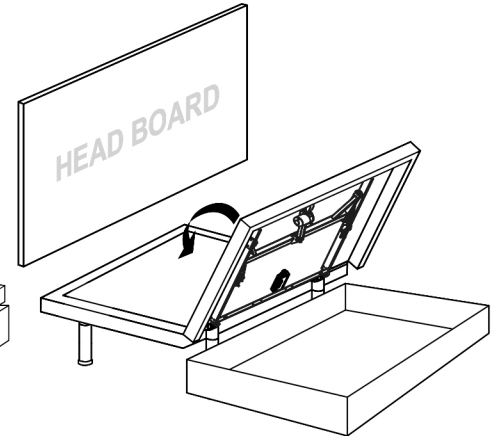
# 5

Remove the bed from the box with a flipping motion, let the bed stand on the 4 legs.



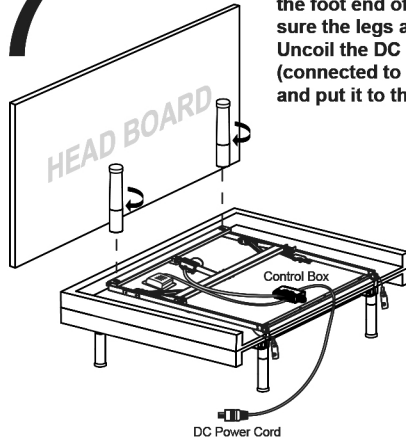
# 6

Flip the foot end of the bed from the box and lay it on top of the end at the headboard.



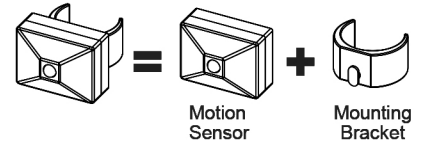
# 7

Install the remaining 2 legs on the foot end of the bed, make sure the legs are tight. Uncoil the DC power cord (connected to the control box) and put it to the side of the bed.



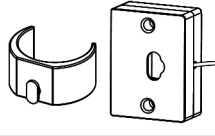
# 8

Motion sensor installation

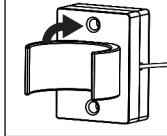


Prepare The Motion Sensor Hardware.

**STEP 1:** Connect the motion sensor to the mounting bracket.



**STEP 2:** Rotate the mounting bracket 90 degrees clockwise

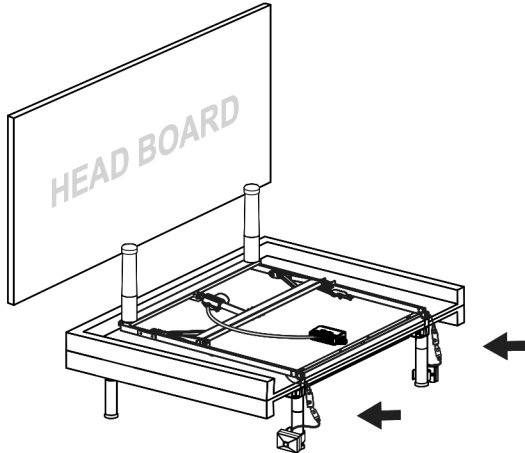


**STEP 3:**

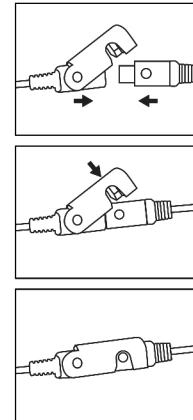


Connect The Motion Sensor Connectors.

**STEP 1:** Clip the mounting bracket onto the center adjustable legs as illustrated.

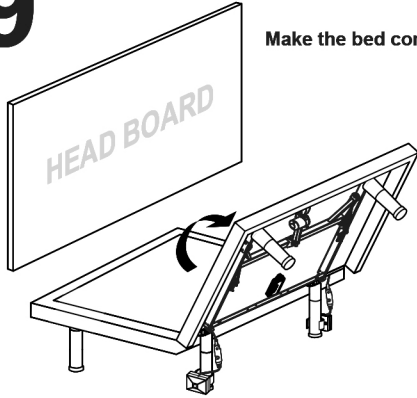


**STEP 2:** Connect the motion sensor connectors as illustrated. Note there are two connectors, one on each side of the bed.



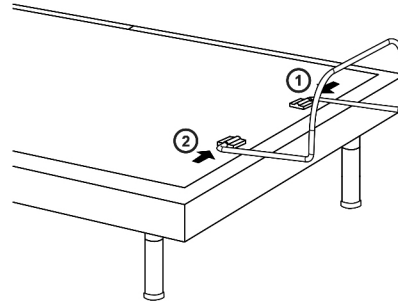
# 9

Make the bed completely flat.



# 10

Install the mattress retainer bar one side after another.

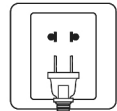


# 11

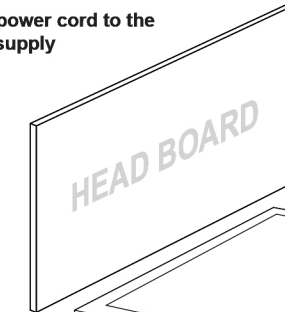
Uncoil the AC power cord, connect the DC power cord to the power supply and then connect the power supply to the AC power source.

Insert the batteries into the remote control.

AC Power Source



AC Power Cord



+



Power Supply

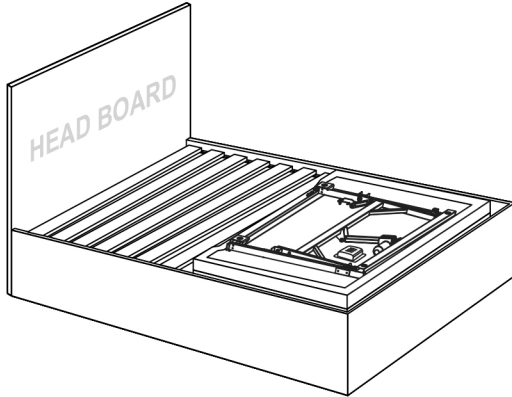


DC Power Cord

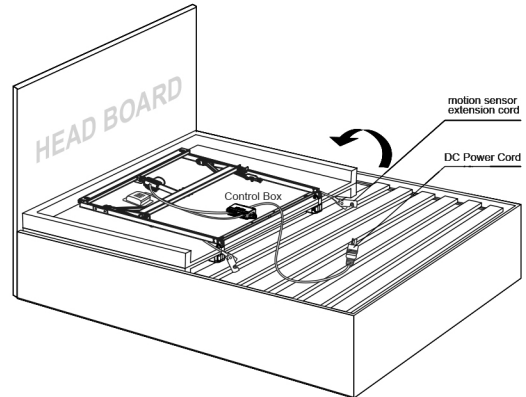
# DONE!

# Setup the power foundation with the bed frame and slat base.

- 1** Take the bed out of the box, put it on the slat base, do not install any legs.

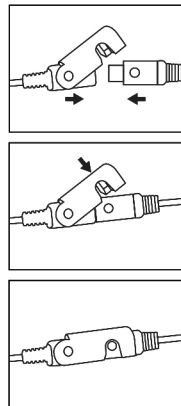
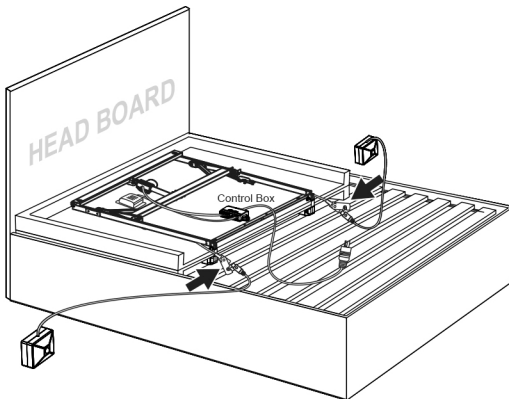


- 2** Turn over the bed. Uncoil the DC power cord.

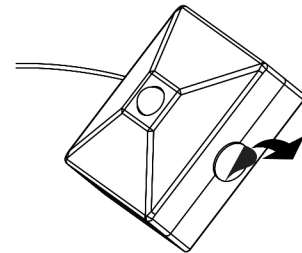


- 3** Motion sensor installation

**STEP 1:** Connect the motion sensor connectors as illustrated.

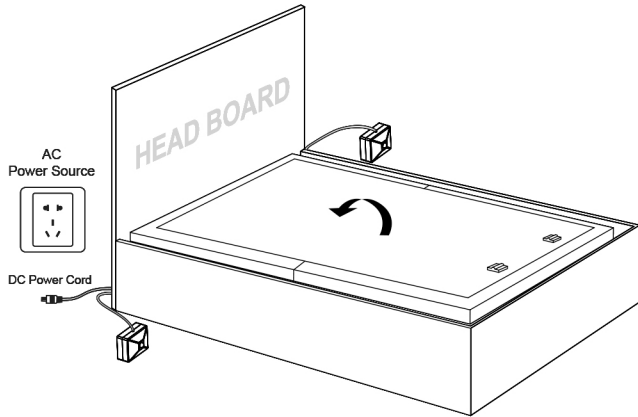


**STEP 2:** Use the double sided tape to secure the motion sensor when necessary.



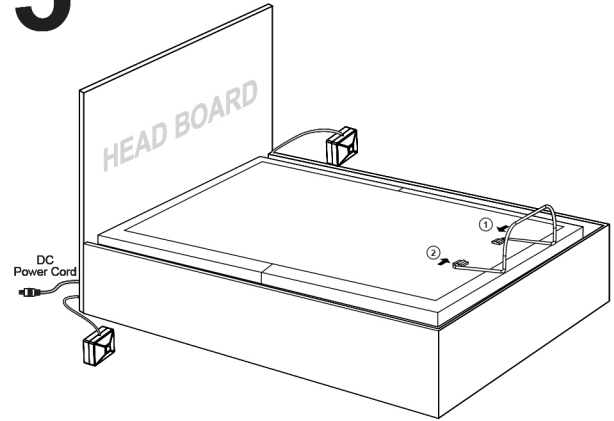
# 4

Pull the DC power cord towards the direction of the AC power source through either the bottom or the side of the bed frame. Pull the two motion sensors to the two sides of the bed frame. Make the bed completely flat with a flipping motion.



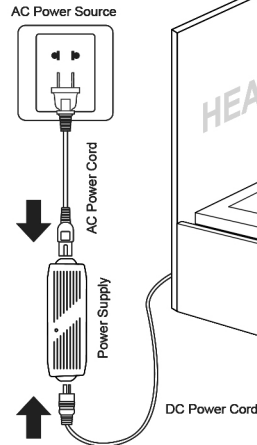
# 5

Install the mattress retainer bar one side after another.

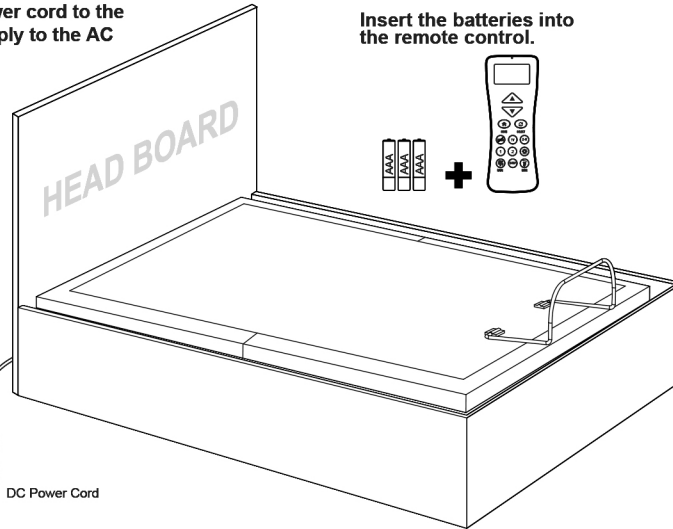
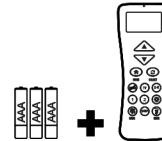


# 6

Uncoil the AC power cord, connect the DC power cord to the power supply and then connect the power supply to the AC power source.

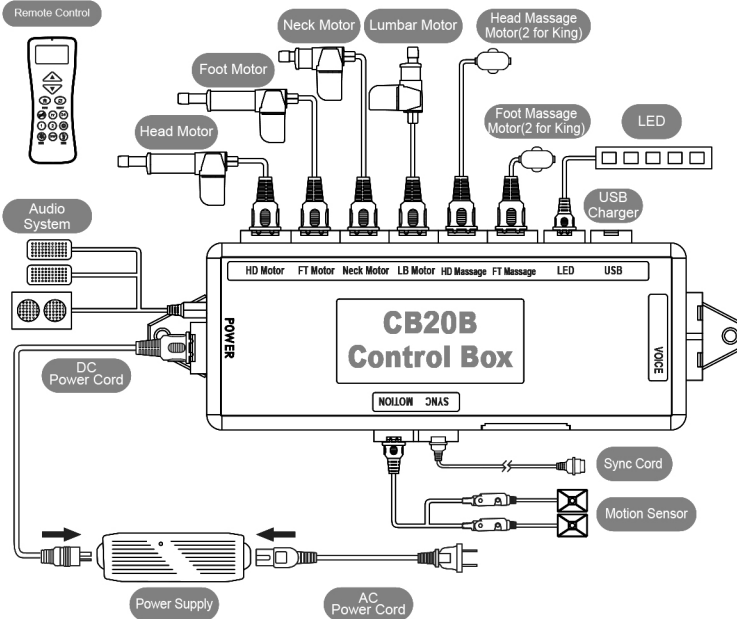


Insert the batteries into the remote control.



# DONE!

## Electronics Quick Reference Guide



If simultaneous operation of two foundations is desired, please follow the steps listed below.

Note the sync cord is needed to control two foundations with mobile APP, follow the "Synchronizing Two Foundations with Sync Cord" instruction to install the sync cord or follow the "Wireless Syncing Instruction".

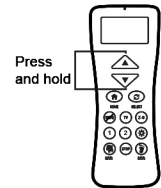
### Wireless Syncing Instruction

- STEP 1:** Make sure both remotes are individually paired to the foundation. If the remote is not paired with the foundation, follow the pairing instructions.
- STEP 2:** Make sure both foundations are at home (flat position).
- STEP 3:** Press and hold **△** and **HOME** **⊕** on both remotes at the same time for 5 seconds until the LCD screen shows **SYNC**.



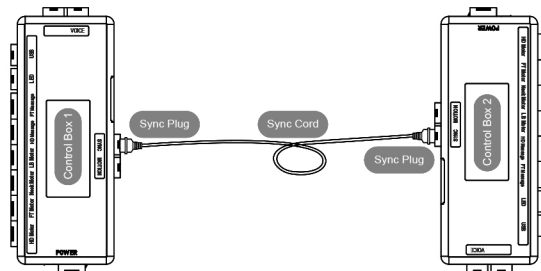
### UN-SYNC Two Foundations

Press and hold **△** and **▽** on both remotes at the same time for 5 seconds, until the LCD screen flashes and shows **UN-SYNC**.

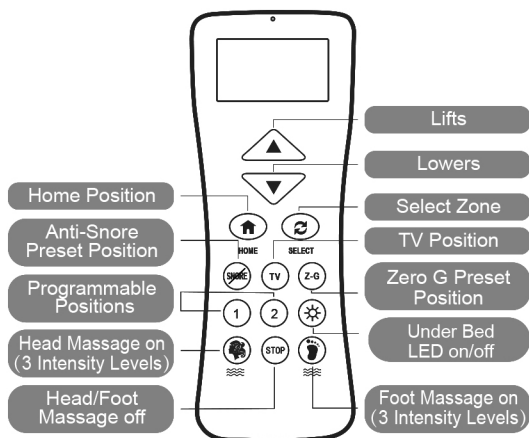


### Synchronizing Two Foundations with Sync Cord

- STEP 1:** Unplug foundations from the power source.
- STEP 2:** Connect the male ends of the sync cord to the female sync plugs of the control boxes (Refer to below illustration).
- STEP 3:** Plug foundations back into the power source.
- STEP 4:** Check to ensure all cords are securely attached. Either remote will operate both foundations simultaneously.



## Remote Control Instructions



### ADJUST

- ▲ This button lifts the Head/Foot/Neck/Lumbar section of the foundation.
- ▼ This button lowers the Head/Foot/Neck/Lumbar section of the foundation.

### SETTING PROGRAMMABLE POSITION

- ① One touch programmable positions.
- ②

### MESSAGE FEATURES

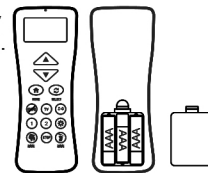
- 👤 Turn on the head massage. Cycle through 3 massage intensities.
- 👤 Turn on the foot massage. Cycle through 3 massage intensities.
- 🛑 Turn off the head/foot massage.

### ONE TOUCH BUTTON

- 👤 One touch flat position.
- 👤 One touch Select button. Select head or foot zone.
- 👤 One touch **ANTI-SNORE** preset position.
- 👤 One touch **TV** preset position.
- 👤 One touch **ZERO G** preset position. **ZERO G** adjusts your legs to a higher level than your heart, helping to relieve pressure of the lower back and promote circulation.
- 👤 One touch underneath LED lighting on/off.

## Pairing Remote

The original remote that comes in the box is already paired to the foundation. No further action is required. In the event when the remote is not paired with the foundation, follow the pairing instructions below.



- STEP 1:** Make sure the batteries are good. Replace them when needed.
- STEP 2:** Unplug the power cord from the power source. If 9V backup batteries were installed in the power supply, remove them.
- STEP 3:** Press and hold Select button (👤) until the LCD screen of the remote control shows PAIR.
- STEP 4:** Plug the power cord back into the power source. You will hear an activation sound in 2 seconds, indicating the remote is paired to the power foundation.

## Setting Programmable Position

- STEP 1:** Adjust the head, foot, neck and lumbar to your desired position.
- STEP 2:** Press and hold the program button (👤) for about 5 seconds until the LCD screen shows **SAVE**, and press picture programmable buttons ① ② until you hear 2 beep sounds.
- STEP 3:** To adjust a saved position, repeat step 1 and 2 and the new position will be saved.

## Setting Remote Lock

### LOCK

Press and hold the **HOME** (👤) and **SELECT** (👤) buttons simultaneously for about 5 seconds until the LCD screen shows **LOCK**.

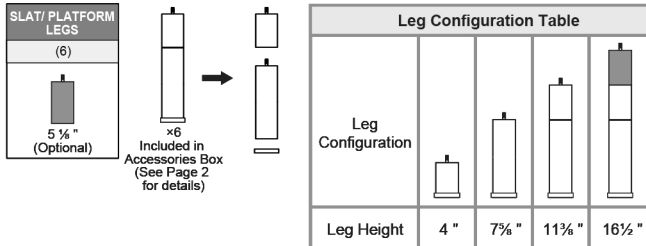
### UNLOCK

Press and hold the **HOME** (👤) and **SELECT** (👤) buttons for about 5 seconds until the **LOCK** disappears on the LCD screen.

## LOW BATTERY

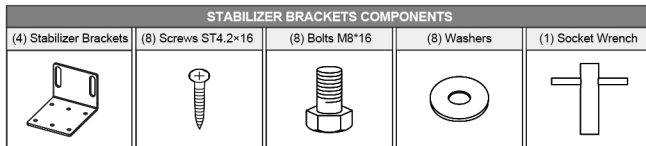
The LCD screen will show **LOW** once the batteries are in low power.

## Slat Pack Installation Guide (Optional)

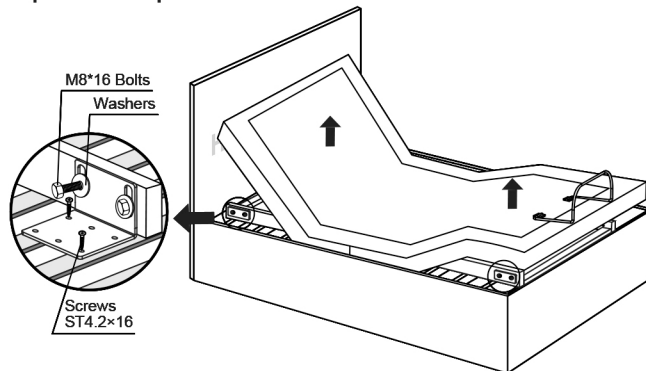


Support leg may be needed on some slat/platform bed frames, refer to the leg configuration table for height adjustment.

\* Make sure the adjustable legs are properly tight, and the plastic caps have been placed at the bottom of the legs. Incorrect installation might cause the part to fail or damage the floor.



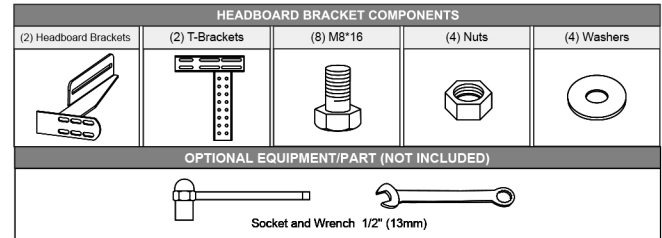
Stabilizer Brackets are optional and not included. They can fix the bed onto the slat base. A phillips screwdriver and socket wrench are required to complete the installation.



Lift the head and foot end of the bed by remote control. Install four stabilizer brackets as shown. Use a phillips screwdriver and socket wrench to tighten the screws and bolts.

## Headboard Bracket Installation Guide (Optional)

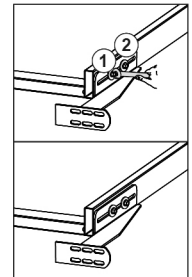
Headboard brackets are optional and not included. A 1/2" (13 mm) socket and 1/2" (13 mm) wrench are required to complete the installation.



### STEP 1

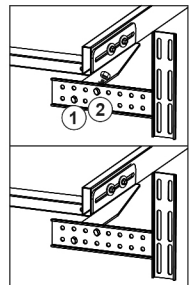
a) Align the slot hole of the headboard bracket to the sleeve into which the leg threads. **DO NOT OVERTIGHTEN.** Too much force may damage the thread.

b) The headboard bracket has 2 adjustable slots to accommodate any frame type. Use the bolts and washers to secure the bracket. Make sure the bolts are tight.



### STEP 2

a) To put the T-Bracket and Headboard Bracket together, you will need (2) M8×16 bolts and (2) nuts. Slip the bolts through the holes from T-Bracket to Headboard Bracket with the head of bolt facing outward. Use the 1/2" (13 mm) socket and 1/2" (13mm) wrench to tighten the bolts.

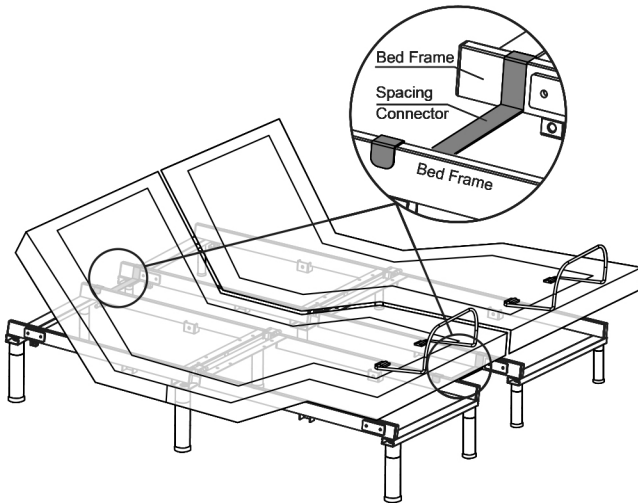
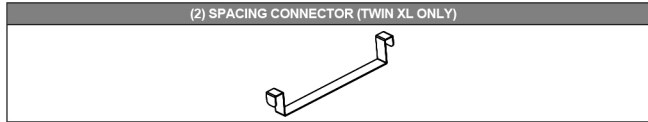


### STEP 3

You may now connect your headboard to the attachment plates using the remaining short bolts and nuts to secure it to the brackets. The heads of the bolts will face outward. Use a 1/2" (13mm) socket and 1/2" (13mm) wrench to tighten the bolts.

## Spacing Connector for TWIN XL (Optional)

Install two spacing connectors to ensure the gap between the two adjustable bases is consistent.



Lift the head and foot end of the bed by remote control. Install the spacing connector as shown.

## Audio System

### Pairing Instruction

1. Once power is supplied, the audio kit begins to search pairing device automatically. It keeps searching until it pairs with other device successfully. It could only pair with one device at a time. If you want to pair with a different device, disconnect the paired device, before connect with the new device.
2. The audio kit could be controlled via the paired device.
3. Description of device: REMO4.11
4. Connection rang: 26 ft.

### Frequently Asked Questions

Description of problem	Possible cause, correction & maintenance
No sound	The volume is on minimum; Audio System not paired properly; Please contact the store or customer service.
Audio System cannot be paired	Restart your power base; Do not attempt to pair the device behind a wall; Make sure you're pairing the device within the working distance (26 ft).

PRODUCT PROTECTED BY FOLLOWING PATENT:  
— US PATENT: 10, 306, 994  
— US PATENT: 11, 013, 330

**Customer Service Toll Free:1-888-980-5122**