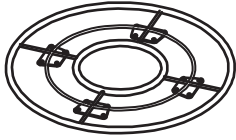


ASSEMBLY INSTRUCTIONS
COFFEE TABLE STEEL FRAME KD

PARTS

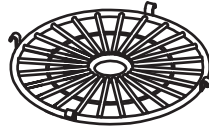
Check that you've received all parts listed below.

①



(1 pc)

②



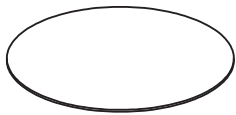
(1 pc)

③

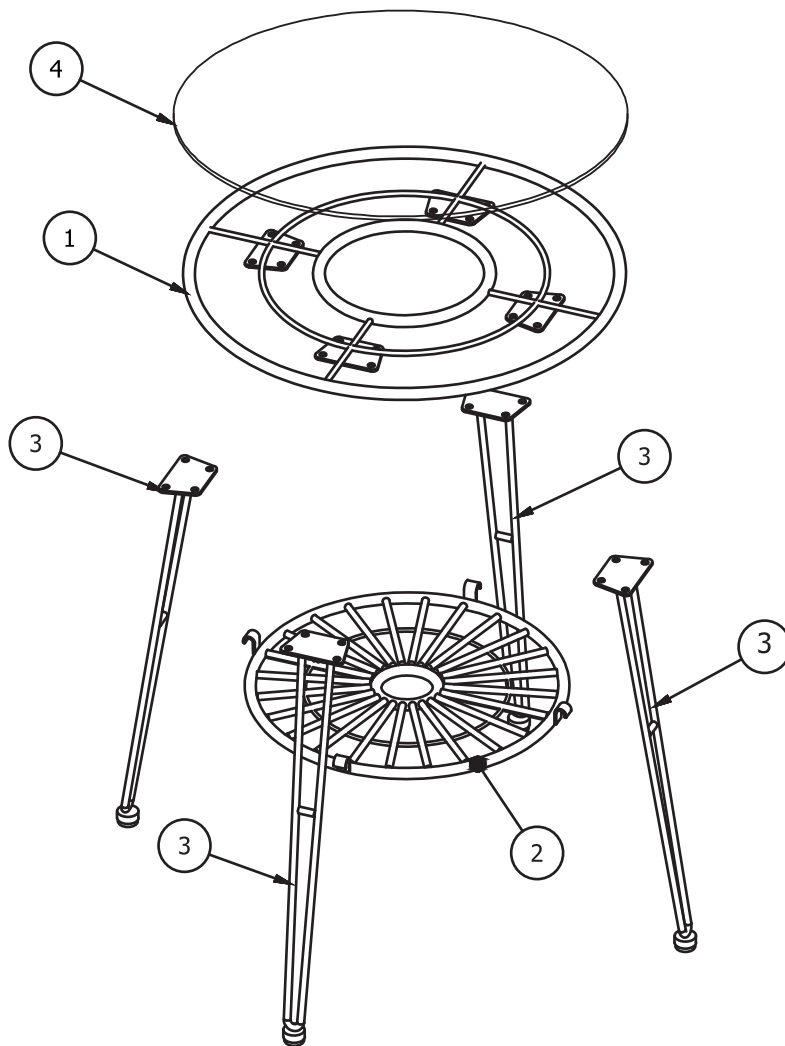


(4 pcs)

④



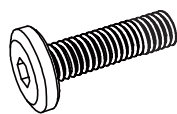
(1 pc)



HARDWARE

Check that you've received
all hardware listed below.

Ⓐ M6x15 mm



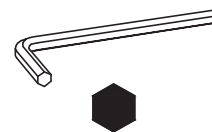
(16 pcs)

Ⓑ Ø16x1 mm





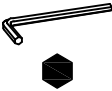
(16 pcs)

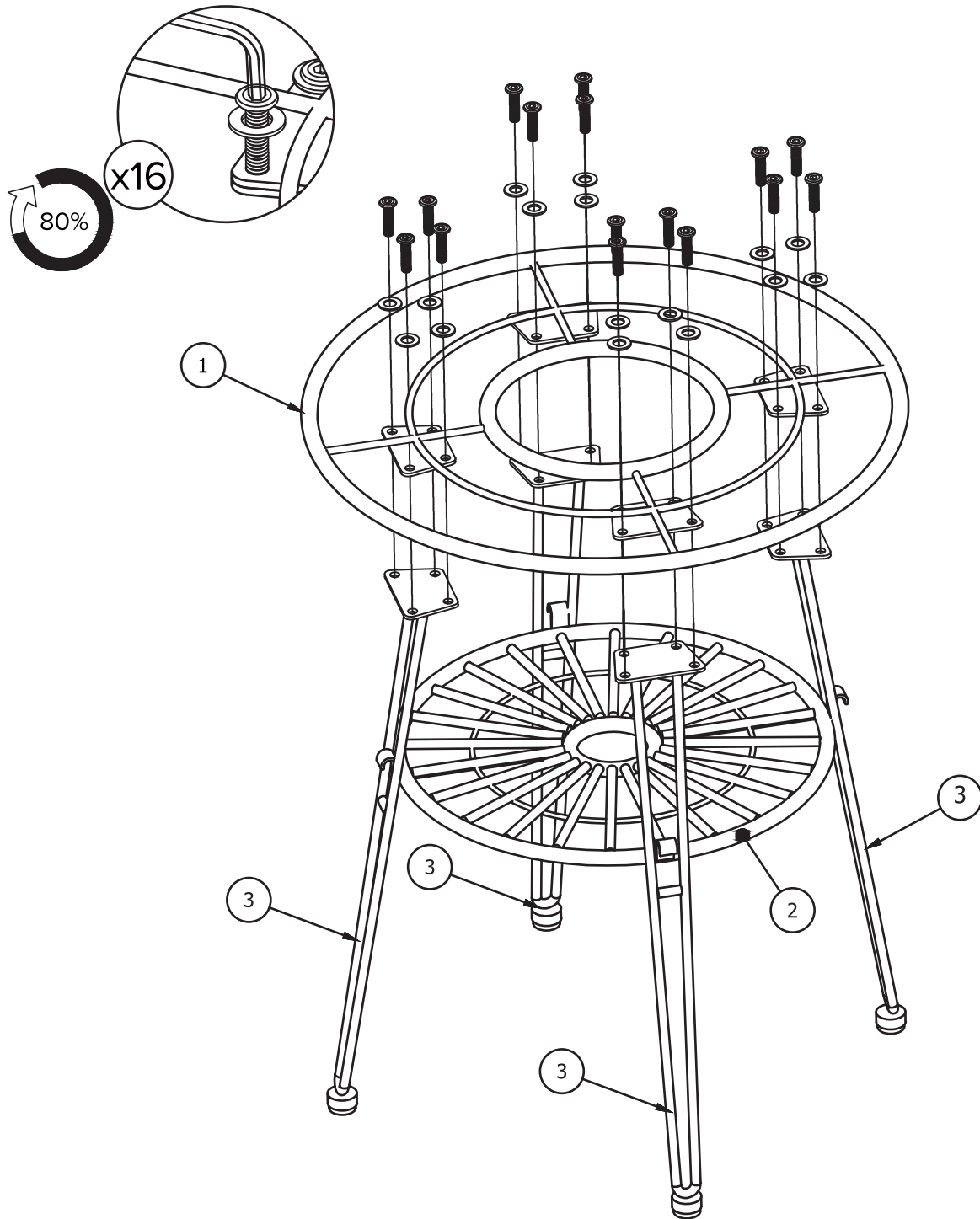
Ⓒ 4 mm



(1 pc)

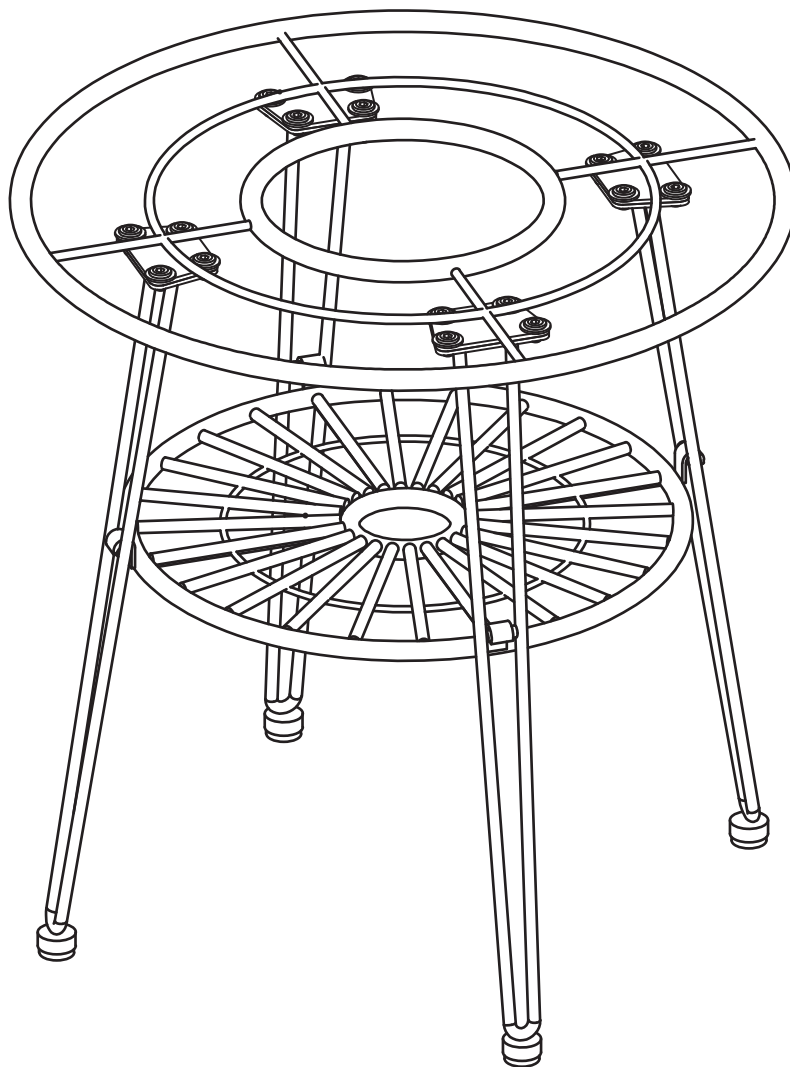
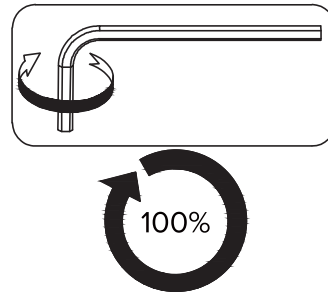
STEP 1

A x 16  M6x15 mm	B x 16  Ø16X1 mm	C x 1  4 mm	
---	---	--	--

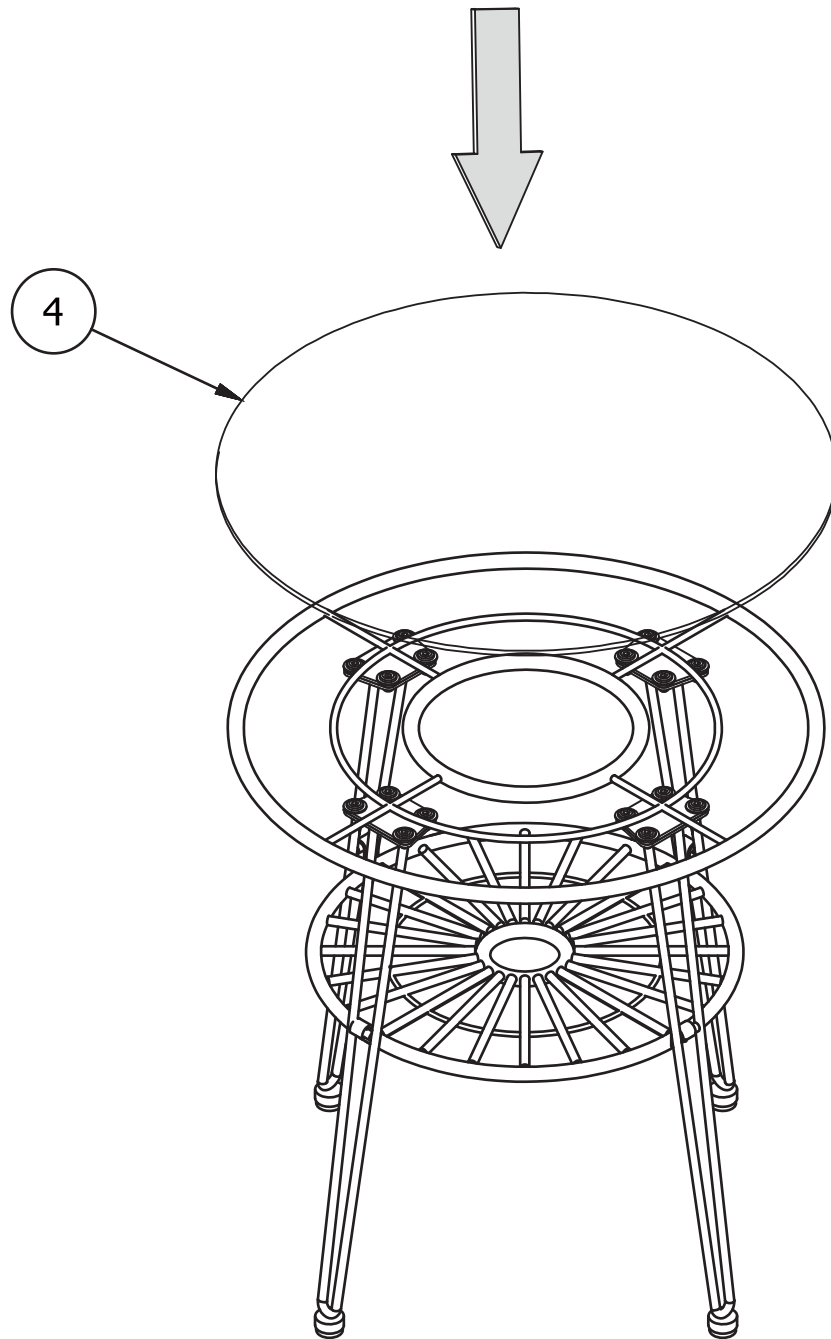


STEP 2

<p>C x 1</p>  <p>4 mm</p>	
--	--



STEP 3





CARE INSTRUCTIONS

Outdoor furniture naturally weathers and shows color variation over time. We recommend the following care for the best results:

- Wipe with a soft cloth.
- Wash with mild soap and water as needed; do not use abrasive cleaners.
- Cover furniture with an outdoor cover (not included) when not in use.
- Store in a dry, covered area during inclement weather or winter season.



After assembly is completed, save these instructions and any included tools for future maintenance or re-assembly.