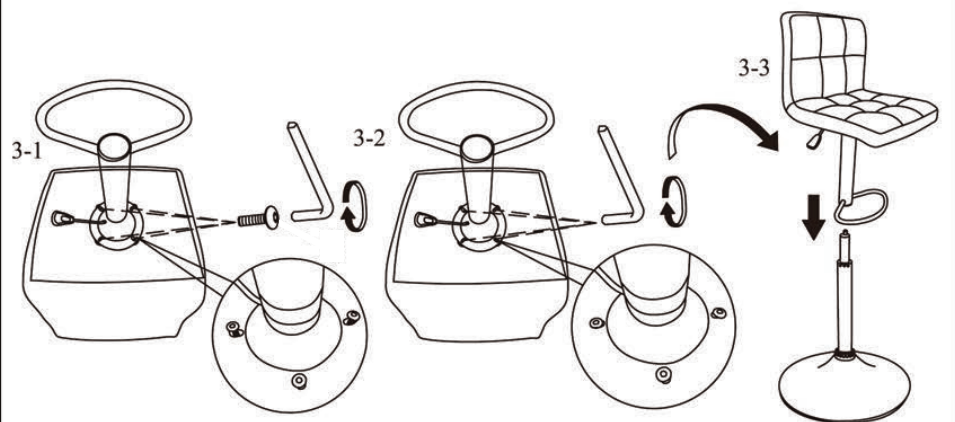
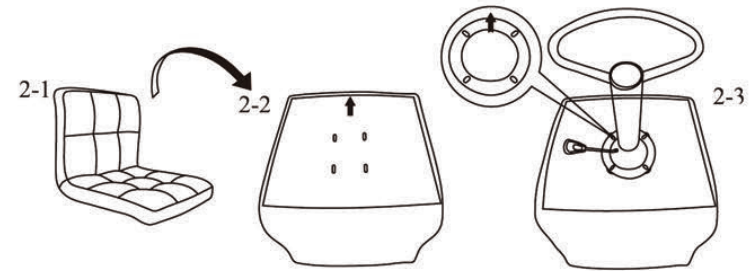
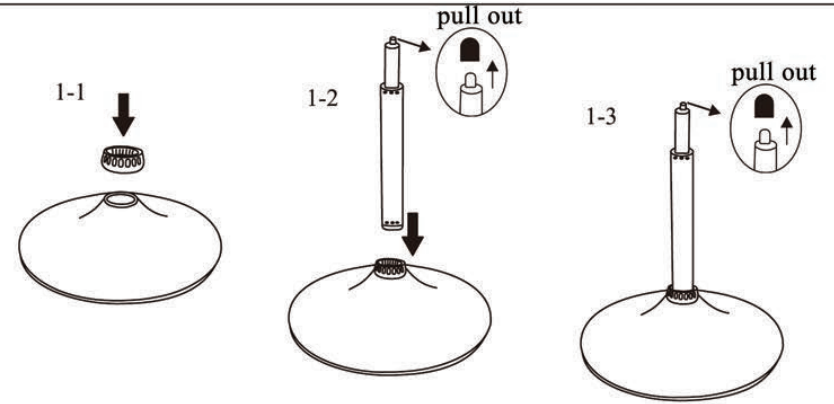
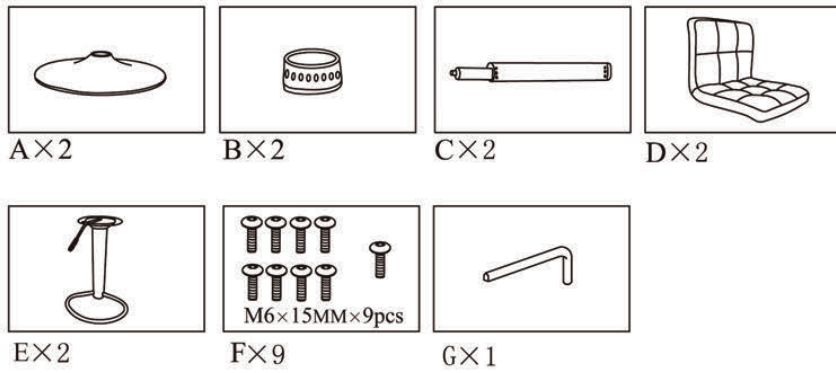
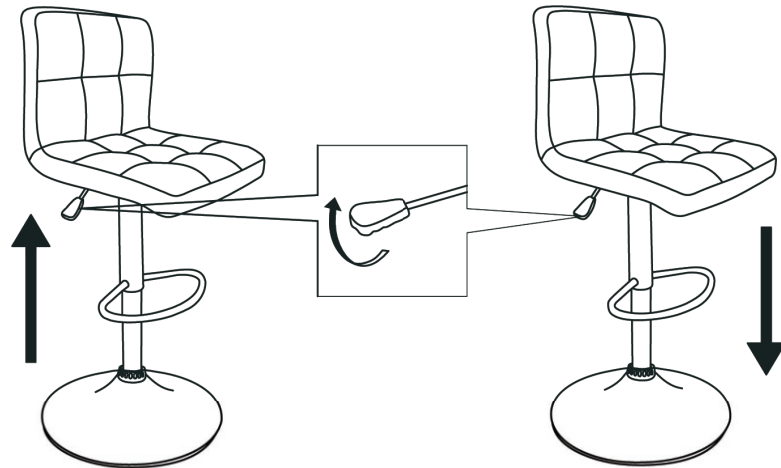


BAR STOOL ASSEMBLY INSTRUCTION



PARTS LIST





Please sit down in the middle of the seat.
Failure to sit correctly may result serious injury
and/or death of you or person around you

WARNING

- 1 Do not stand in this chair or use the chair as a step ladder use it as stool only.
- 2 This chair is designed for one person to use at a time.
- 3 This chair is designed for one approved for users weighing up to 250lbs(113kgs)
- 4 Do not use this chair unless all bolts, screws and knobs are firmly secured.
- 5 Check all bolts,screws and knobs every 90days. Tighten if any are loose.
- 6 Failure to follow these instructions may result in serious injury or death of yourself and people around you.
- 7 Some of the part are heavy and/or has shape edge, please install it carefully to avoid hurt you and people around you.