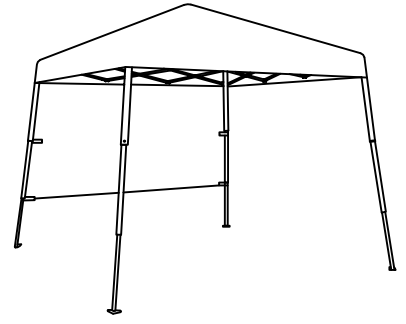
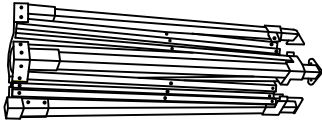
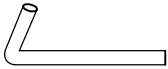

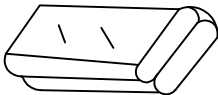



# 5.9'X5.9' INSTANT GAZEBO



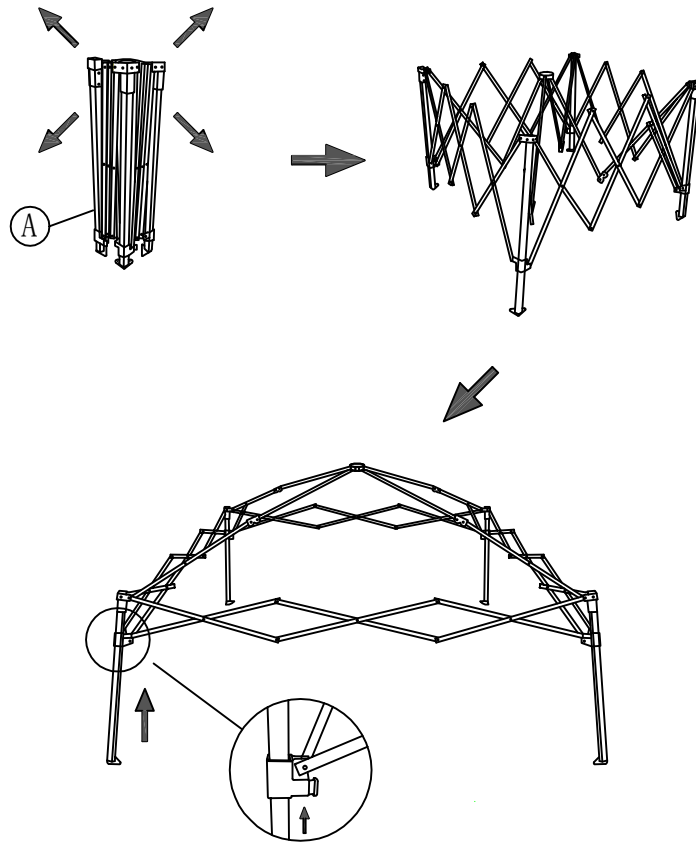
## Before You Begin



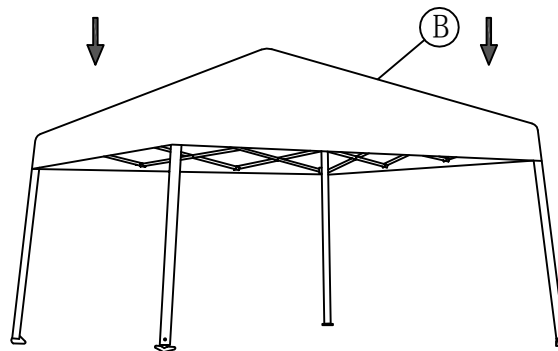
A	1PC		C	4PCS	
			D	4PCS	
B	1PCS		E	4PCS	

# ASSEMBLY INSTRUCTIONS

- 1** Pull open Frame (A). Once fully extended, lock arms into place.

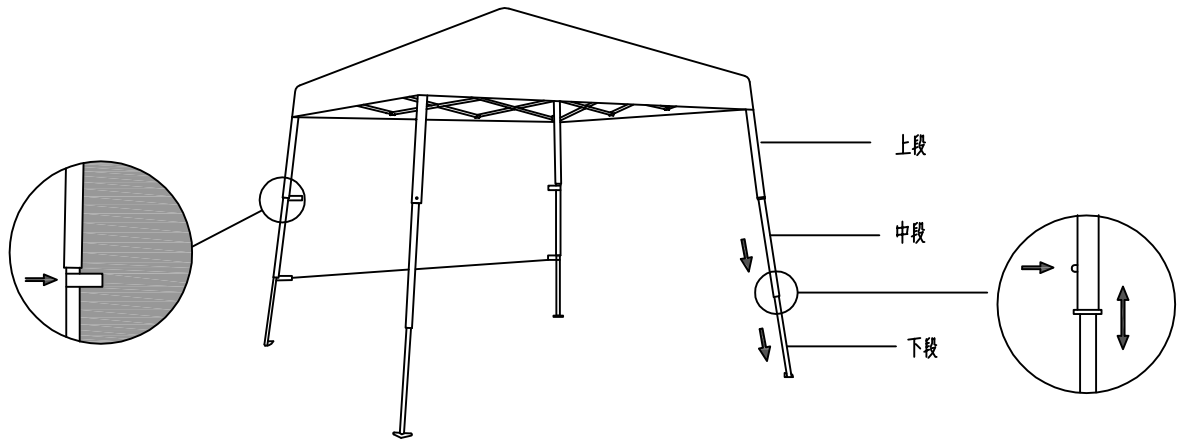


- 2** Place Canopy Cover (B) over Frame (A). Ensure Cover is snug and tight.



# ASSEMBLY INSTRUCTIONS

- 3** Extend legs upward to desired setting - High, Middle, Low.



- 4** Anchor Frame leg with Pin (C).  
Attach one end of Cord (D) to Canopy Cover (B). On the other end, attach Cord (D) to Stake (E) and anchor to ground. Repeat for each corner.

