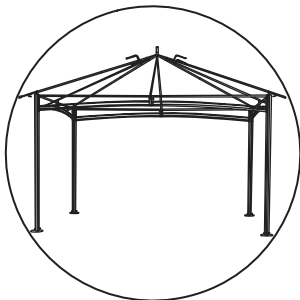
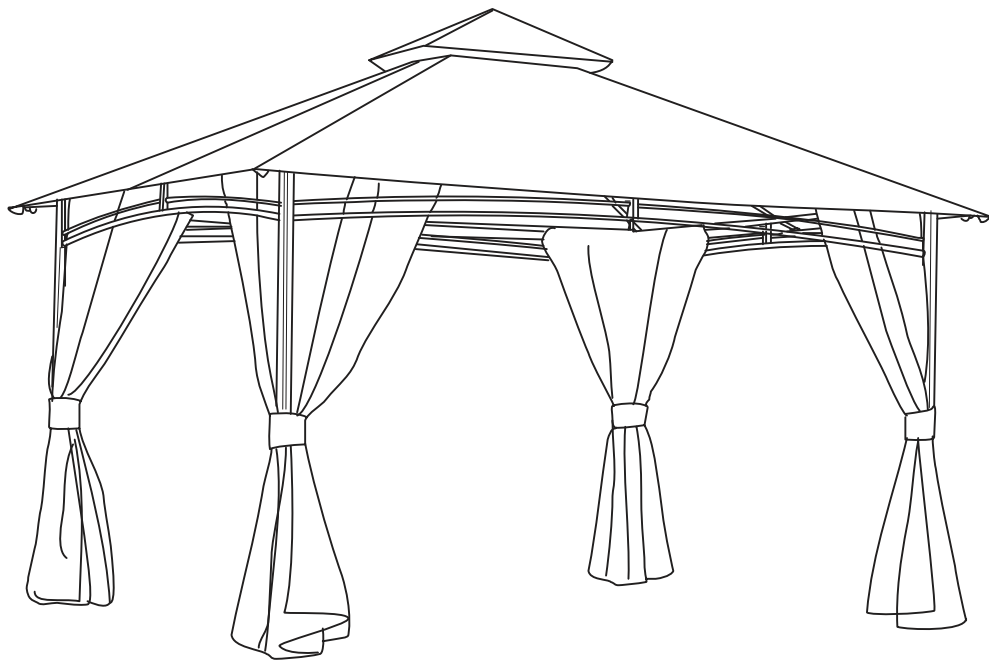
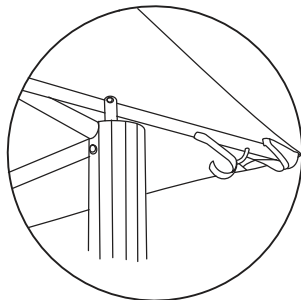


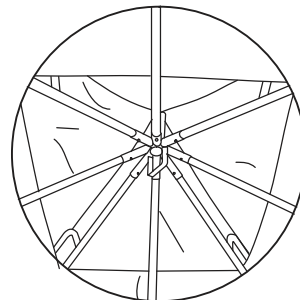
ASSEMBLY INSTRUCTIONS



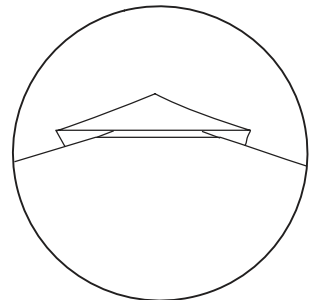
Durable Construction with Fluted Steel Post



Hanging Hooks for Flowers & Plants



Inside Center Hanging Ring



Double Roof for Better Ventilation

Table of Contents

Table of Contents	2
Safety Information	2
Care Instructions.....	2
Part List.....	3
Assembly	4~11

Safety Information



WARNING: Keep all flame and heat sources away from this tent fabric. This tent is made with fabric that meets CPAI-84 specification for flame resistance. It is not fire proof. The fabric will burn if left in continuous contact with any flame source. The application of any foreign substance to the tent fabric may render the flame-resistance properties ineffective.



WARNING: This garden house Gazebo is NOT a permanent structure and is designed for sunshade and privacy and must be used under normal weather conditions. We recommend removal of the fabric canopy in windy conditions as gazebos catch wind similar to umbrellas. You must however completely disassemble the unit prior to any severe weather conditions such as thunderstorm, hurricane, and/or heavy wind and rain. Failure to remove the fabric canopy or disassemble the unit will cause the gazebo to have structure damage or even structural collapse.



CAUTION: Always install on level ground utilizing tie down cords and ground stakes. Do not permanently anchor unit to wood deck or concrete surface.



CAUTION: Garden house fabrics are water resistant but not water proof and may leak during precipitation. Fabrics will fade from direct exposure to sunlight.







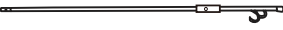




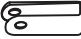
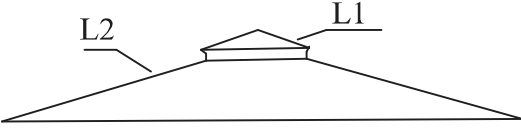

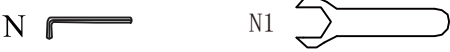





CAUTION: Keep all children and pets away from assembly area. Begin assembly not less than 6 feet from any obstruction such as fence, garage, house, overhanging branches, clothes line or electrical wires. Some parts may contain sharp edges, wear protective gloves if necessary. At least two or more people are recommended for safe assembly.




Care Instructions

Before using, wipe with a clean, dry cloth. Do not use bleach or solvents. Treat the frame with one-step liquid wax for maximum protection against UV light and salty damp air. Wash the canopy with a mild solution of soap and water, rinse thoroughly, air dry completely. Please properly tighten all hardware and perform periodic inspections during usage for cracked welds.

PARTS LIST

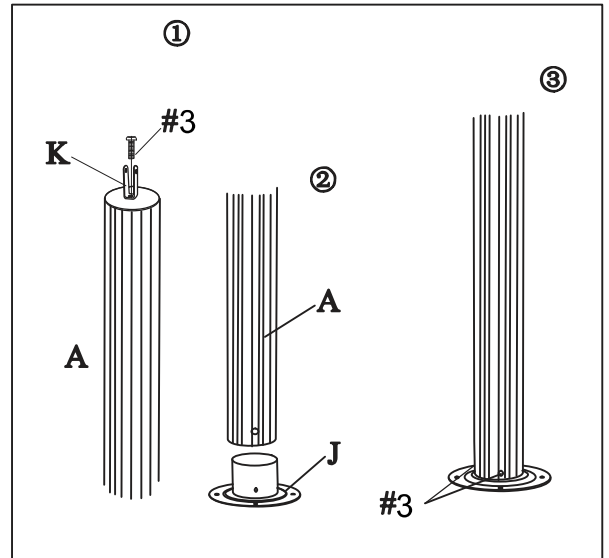
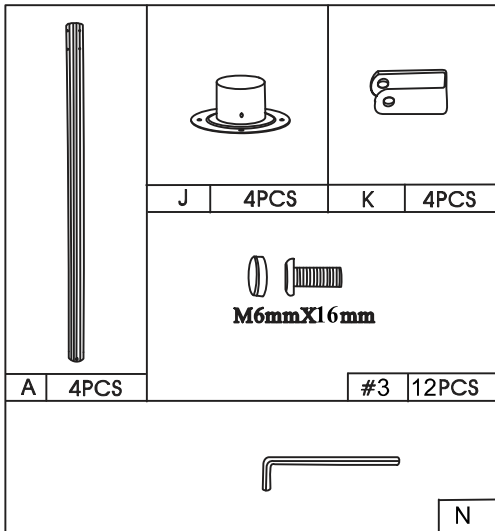
PART	ILLUSTRATION	DESCRIPTION	QUANTITY
A		Corner Post	4PCS
B		Short Beam	2PCS
C		Short Beam	2PCS
D		Long Beam	2PCS
E		Long Beam	2PCS
F1		Short Corner Roof Tube	4PCS
F2		Long Corner Roof Tube	4PCS
G		Middle Roof Tube	2PCS
H		Middle Roof Tube	2PCS
I		Roof Hub	1PC
J		Post Base	4PCS
K		Bracket	4PCS
L1		Vent Cover	1PC
L2		Main Canopy	1PC
M		Mosquito Netting	4PCS
N / N1		Wrench	1 SET
O		Post Anchor	8PCS
P		Guy Rope	4PCS
Q		Guy Rope Anchor	4PCS

HARDWARE AND ACCESSORIES

PARTS NO	PARTS	PARTS NAME	QTY
#1	 M6mmX60mm	Bolt and Nut	4PCS
#2	 M6mmX35mm	Bolt and Nut	4PCS
#3	 M6mmX16mm	Bolt	32PCS

Note: Some extra spare hardware are included to help ensure trouble free assembly.

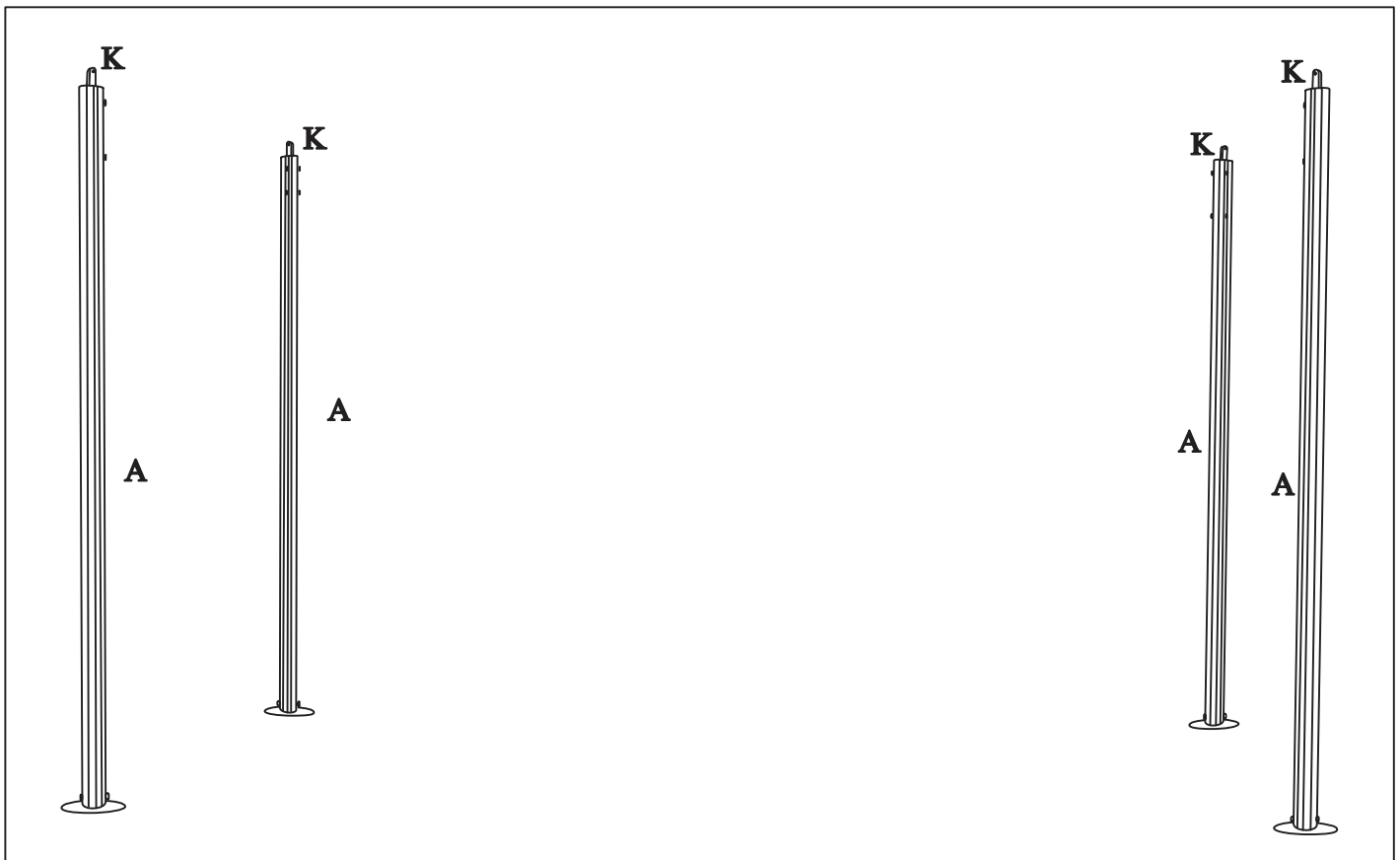
STEP 1: CORNER POST AND PEDESTAL ASSEMBLY









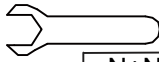
For this and all subsequent steps, refer to the image below the page for how the assemblies should look like when done.

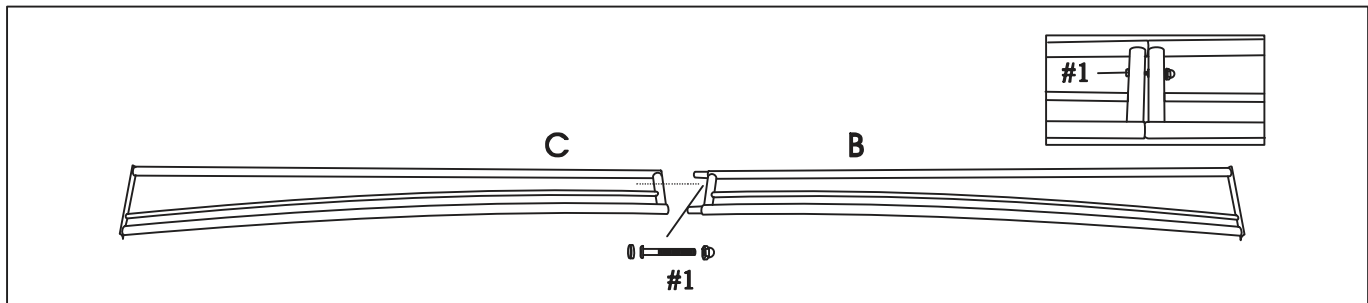
- 1) Attach Bracket K to the top of Corner Post A with Bolt #3.
- 2) Attach Post Base J to the bottom of Corner Post A with Bolts #3.
- 3) Repeat the above procedures for the other three corner posts.

COMPLETED ASSEMBLY FOR STEP 1

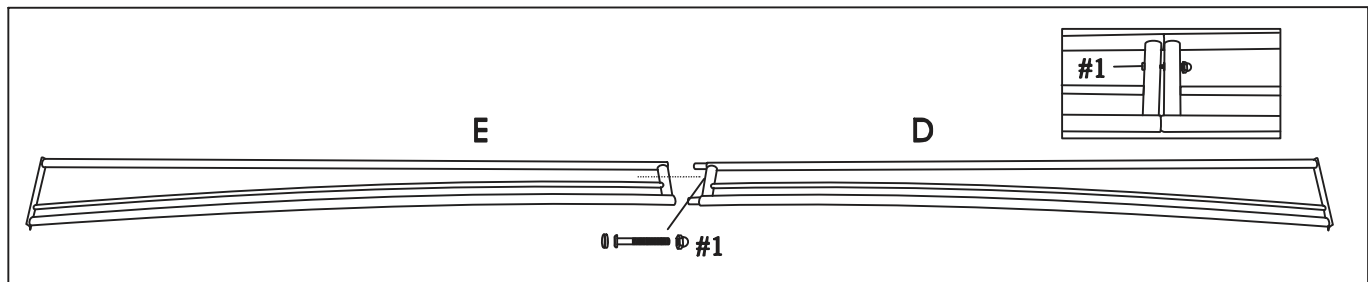


STEP 2: BEAM ASSEMBLY

	B 2PCS		D 2PCS
	C 2PCS		E 2PCS
 M6mmX60mm	#1 4PCS	N 	N1  N+N1

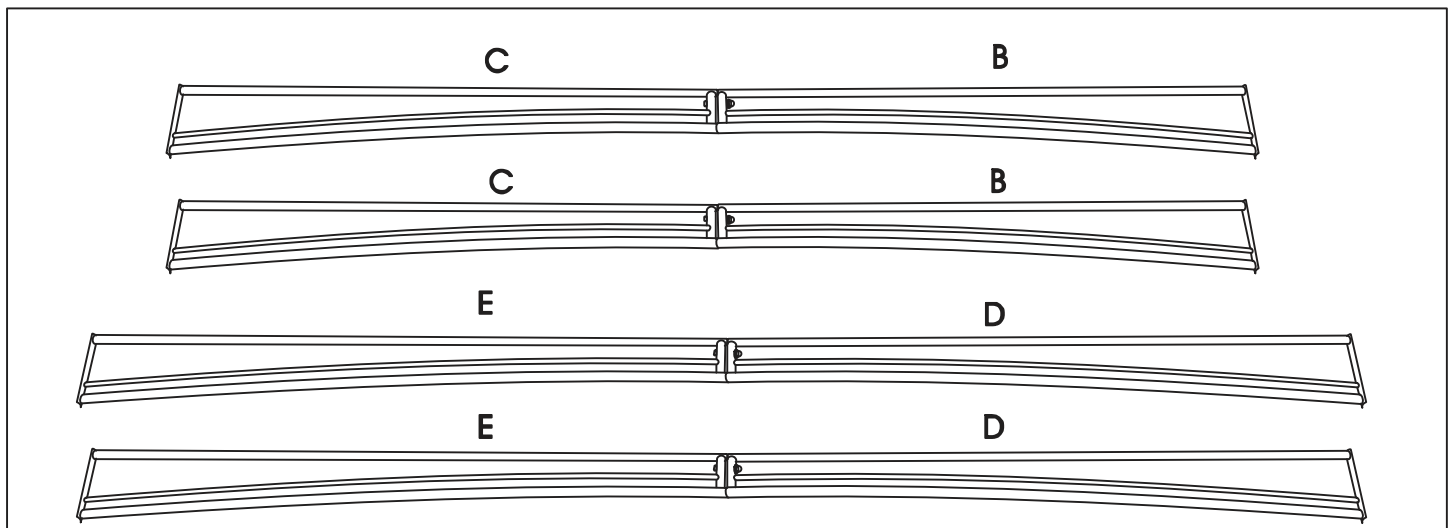


- 1) Insert Short Beam B into Short Beam C.
- 2) Use Bolt #1 to secure Short Beam C and Short Beam B to form a complete short beam.
- 3) Repeat above procedures to assemble the other short beam.

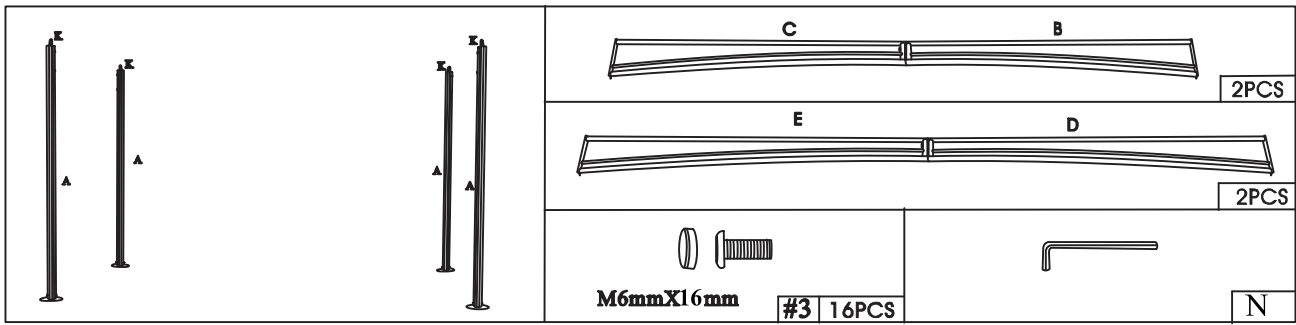


- 4) Insert Long Beam D into Long Beam E.
- 5) Use Bolt #1 to secure Long Beam E and Long Beam D to form a complete long beam.
- 6) Repeat the procedures 4) and 5) to assemble the other long beam.

COMPLETED ASSEMBLY FOR STEP 2



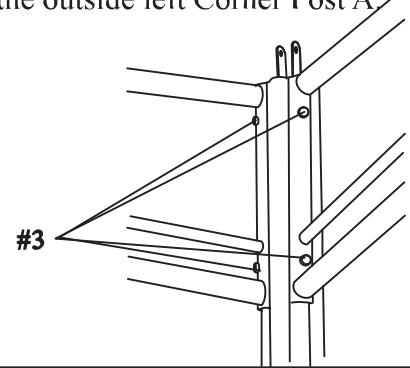
STEP 3: MAIN UPPER FRAME ASSEMBLY



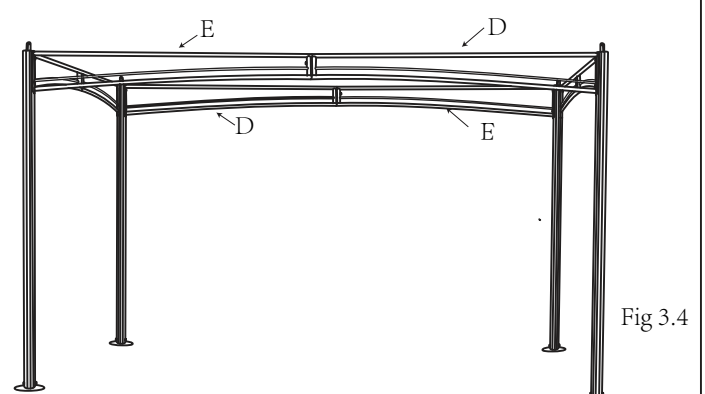
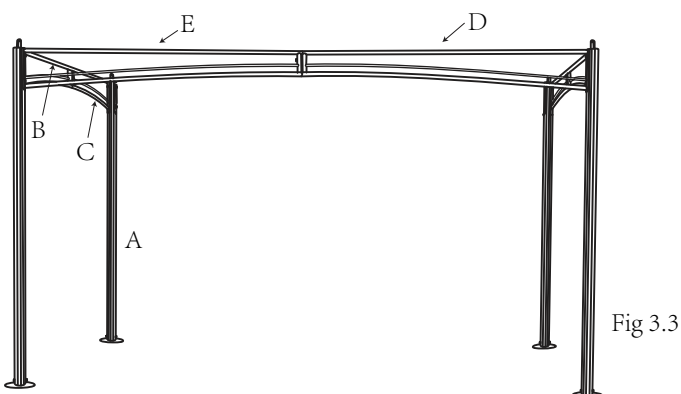
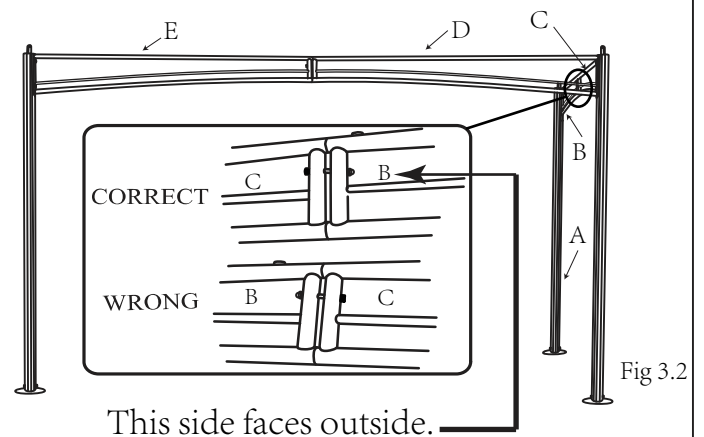
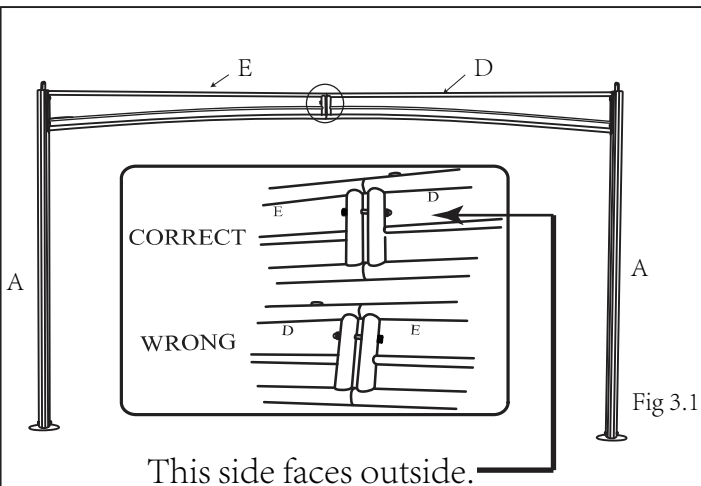
- 1) Please have a free standing ladder ready for ease of assembly.
- 2) Use 2 Bolts #3 to attach the B side of the assembled Short Beams to the outside right Corner Post A and 2 Bolts #3 to attach the C side of the assembled Short Beams to the outside left Corner Post A. **(SEE ILLUSTRATION BELOW)**
- 3) Use 2 Bolts #3 to attach the D side of the assembled Long Beams to the outside right Corner Post A and 2 Bolts #3 to attach the E side of the assembled Long Beams to the outside left Corner Post A. **(SEE ILLUSTRATION BELOW)**
- 4) Repeat the above procedures until the frame is up.

**IMPORTANT

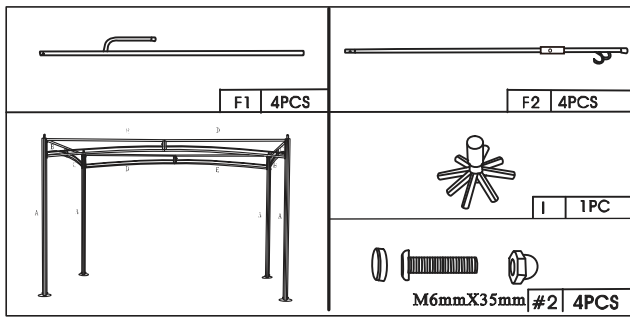
Please insure that all Side Beams follow Illustration below. Failure to do so may cause damage to canopy once placed on frame.



Assemble the Main Frame Step by Step



STEP 4: ROOF ASSEMBLY



1) Connect Short Corner Roof Tube F1 and Long Corner Roof Tube F2 to form one complete corner roof tube. Repeat this to form four complete corner roof tubes.

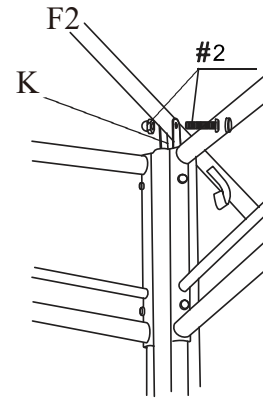
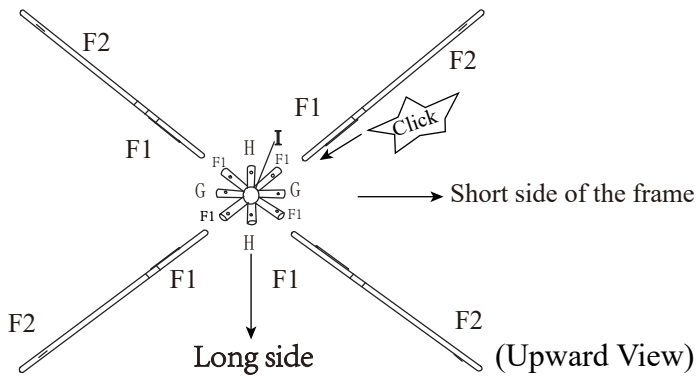


2) Please have a freestanding ladder ready at the center of the canopy gazebo.

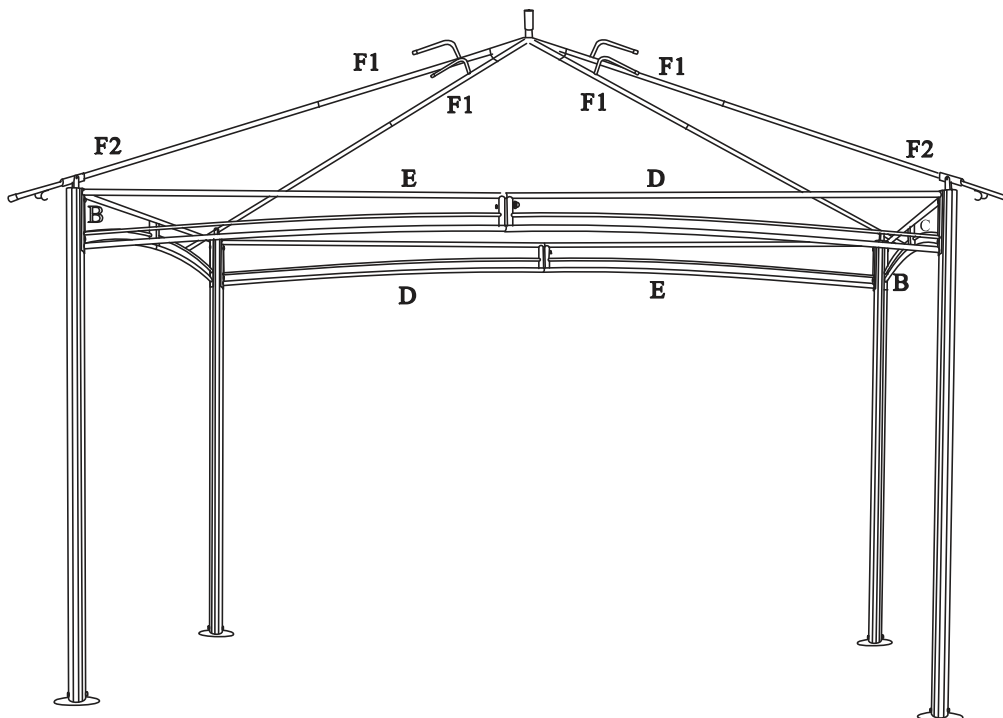
3) Hold the roof hub (I) in the air, letting receivers (H) face the long side of the gazebo while receivers (G) face the short side.

4) Snap in four complete corner roof tubes to the receivers (F1) of the Roof Hub I.

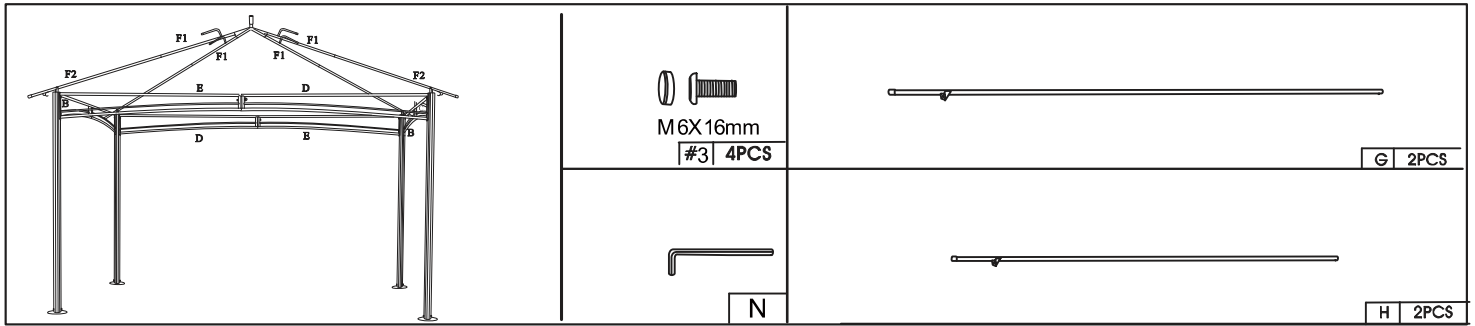
Place Long Corner Roof Tubes F2 into the Bracket K located on the top of each Corner Post. Secure with Bolts and Nuts #2.



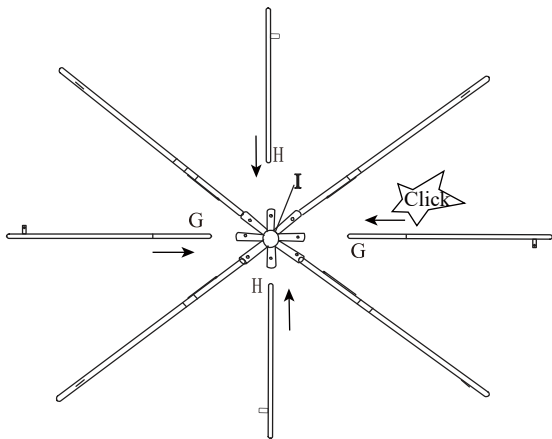
COMPLETED ASSEMBLY FOR STEP 4



STEP 5: ROOF ASSEMBLY

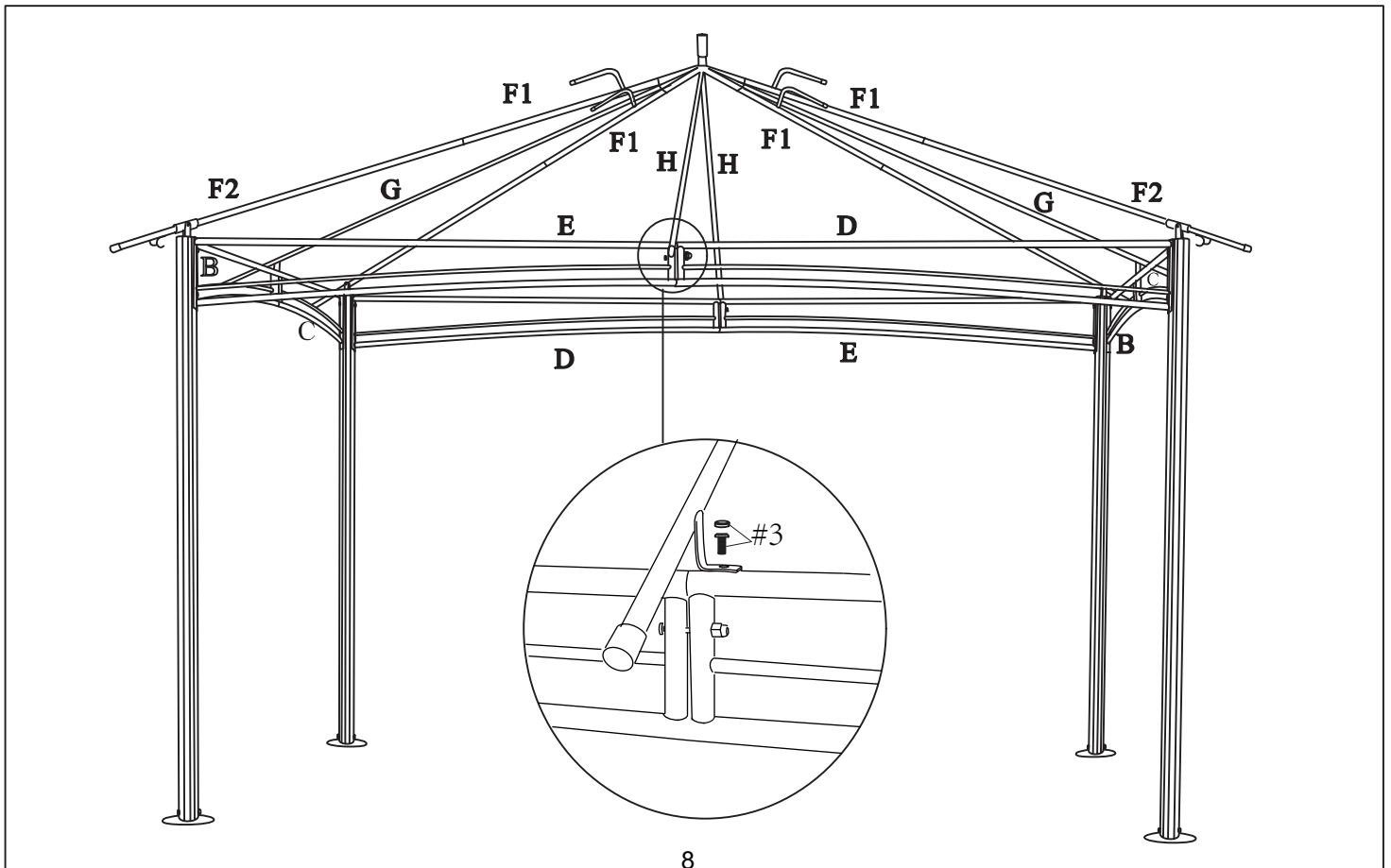


- 1) Snap in two Middle Roof Tubes G to the receivers (G) of the Roof Hub I.
- 2) Snap in two Middle Roof Tubes H to the remaining two receivers (H) of the Roof Hub I.
- 3) Secure the Middle Roof Tubes G to the Beams B using Bolts #3.
- 4) Secure the Middle Roof Tubes H to the Beams D using Bolts #3.



(Upward View)

COMPLETED ASSEMBLY FOR STEP 5



STEP 6: TOP CANOPY ASSEMBLY

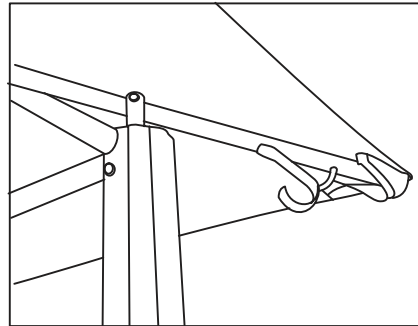
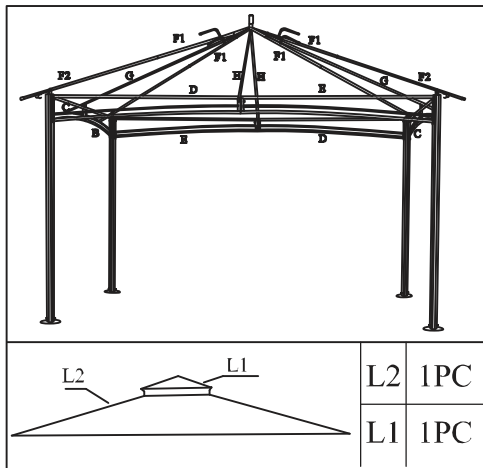


Fig. 6.1

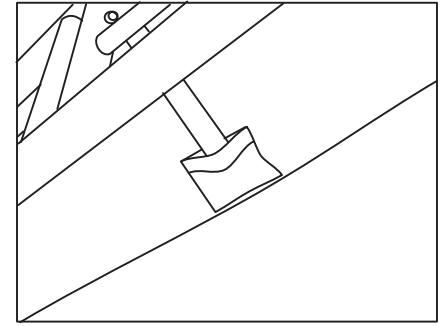


Fig. 6.2

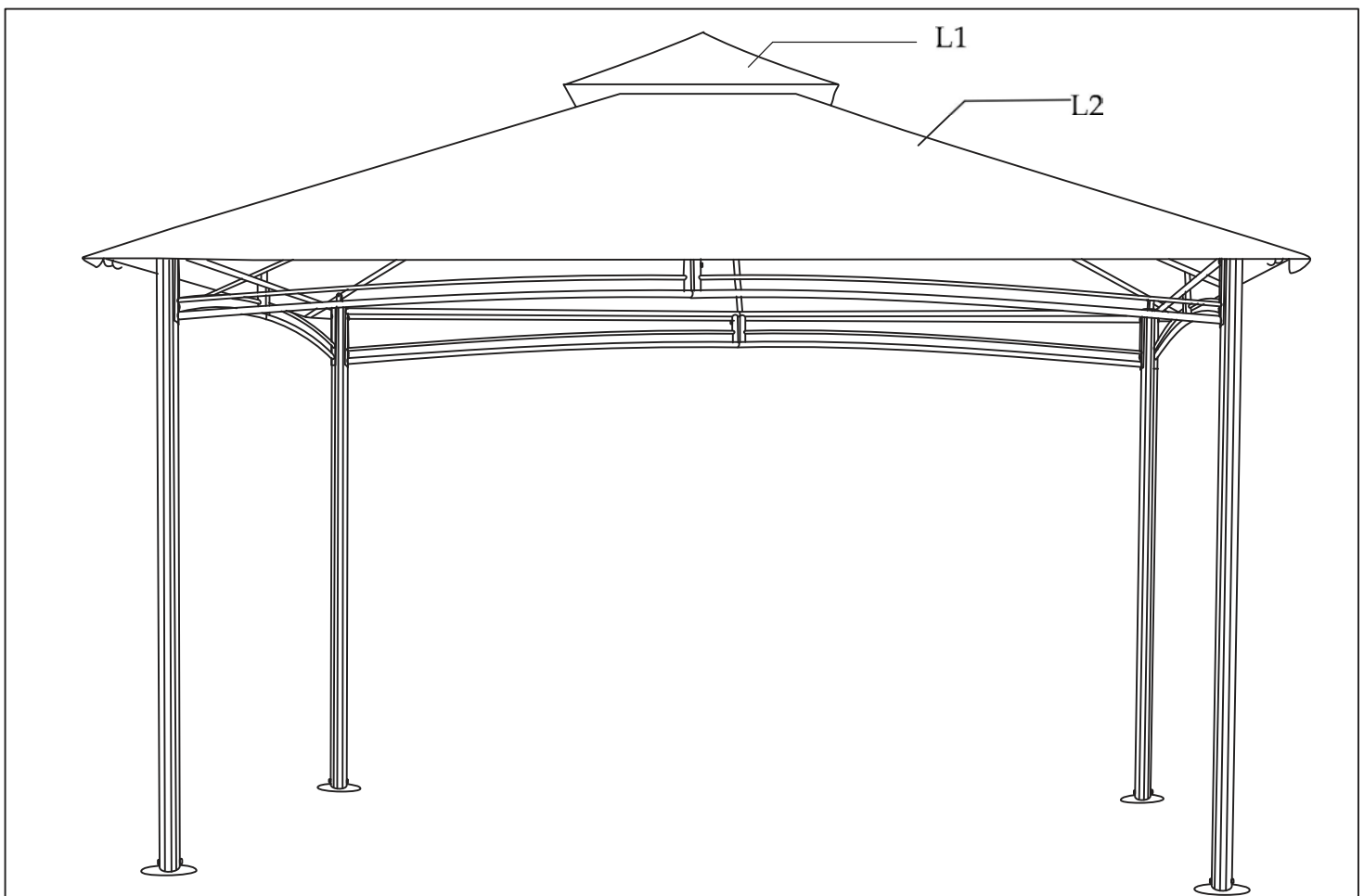
1. Gently place Main Canopy (L2) over roof frame. Pull the canopy down to each corner until all Corner Roof Tubes fit well into the corner pockets on Canopy. (Fig. 6.1)
Use the pockets in the middle of each side to cover each middle roof tube. (Fig. 6.2)

IMPORTANT:

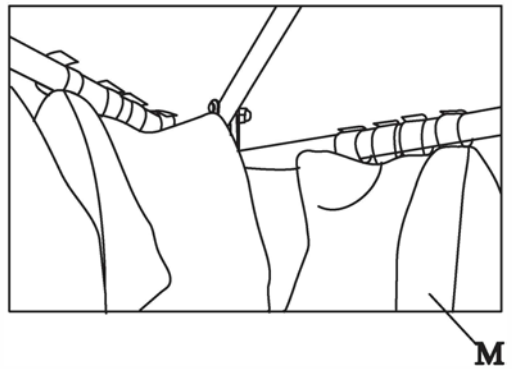
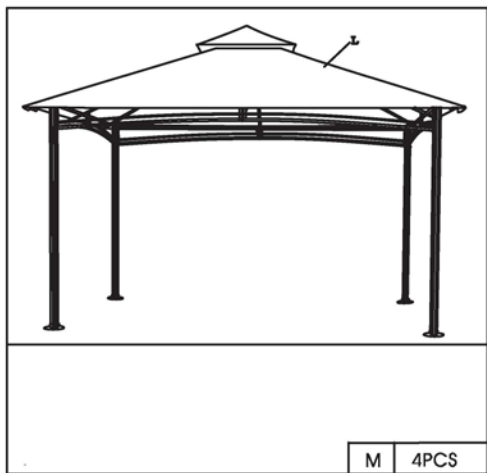
The corner roof tubes should be placed into the corner pockets prior to placing the middle roof tubes into the middle pockets. This will help to place the canopy onto the roof with ease.

2. Gently place Vent Cover (L1) (from under the Main Canopy) over Corner Roof Tubes (F1). Pull the Vent Cover down to each corner until all Roof Tubes fit well into the corner pockets on Vent Covers.
3. Velcro Vent Cover to Main Canopy from underneath.

COMPLETED ASSEMBLY FOR STEP 6



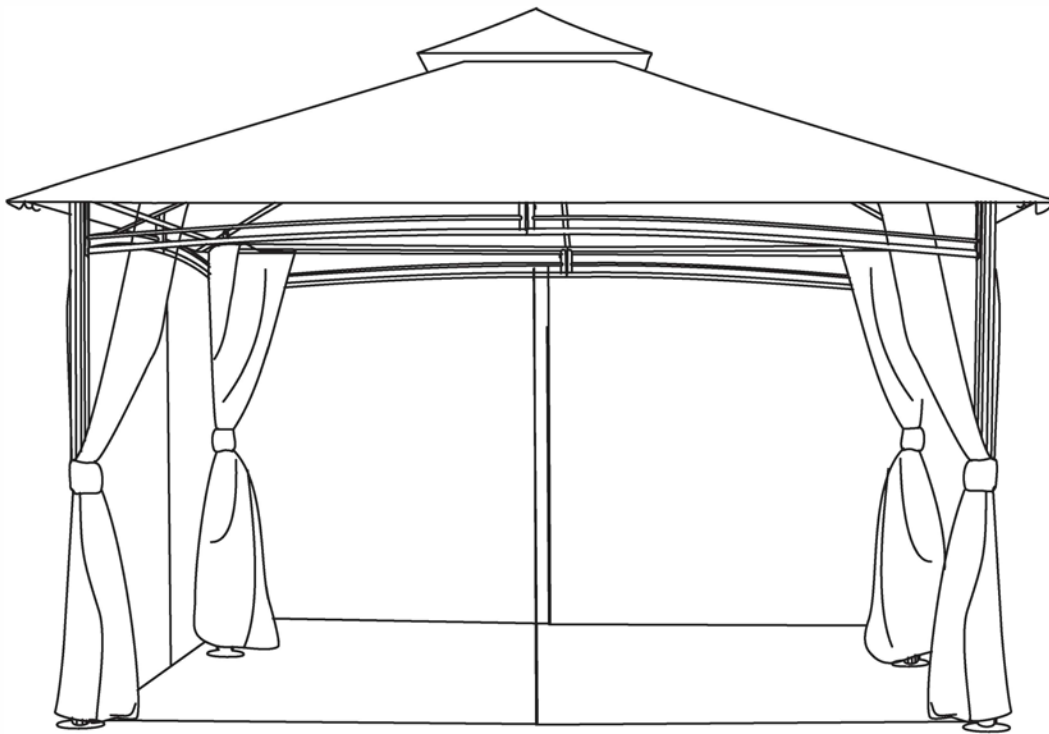
STEP7: NETTING ATTACHMENT



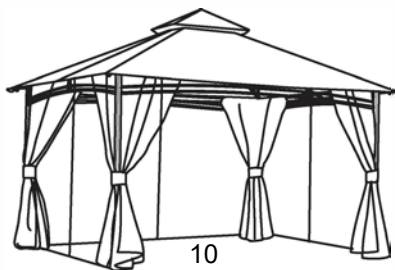
1) From the Tie Backs on the Mosquito Netting M, find the long side and short side of each panel. Attach the mosquito netting up from the inside of the garden house with hook and loop straps according to the long side and short side of frame.

- 2) Slide the mosquito netting open and close and test the zippers to make sure they match and run smoothly.
- 3) Please locate tiebacks sewn at the outer corner of the netting and always wrap around the corner posts.
- 4) The mosquito netting can also be held back to the posts. Unzip and slide the netting to the corner. Use the fabric tiebacks sewn to the inside of the netting corner to wrap the netting all around the corner post.

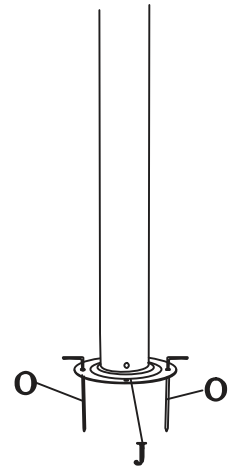
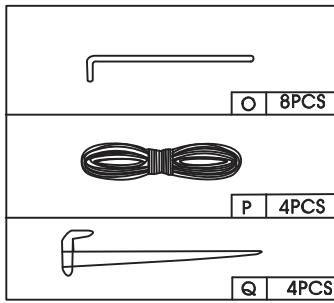
COMPLETED ASSEMBLY FOR STEP 7



SUGGESTED NETTING USAGES



STEP 8: ANCHORING AND ACCESSORIES



- 1) Carefully adjust the position of the canopy gazebo and make sure four posts are standing completely upright on level ground. Hammer two Post Anchors O through the holes on each post base into the ground.
- 2) Measure out from post to the longest possible distance (to best use the length of the Guy Rope P) and secure Guy Rope Anchor Q to ground at 45 degree.
- 3) Repeat the above processes at each corner until the canopy gazebo is firmly anchored.
- 4) Again your canopy gazebo is a shade and privacy structure and not meant to be permanent. Please read warning page again for safety precaution .



Congratulations ! You are done with assembly.

Now call your friends and invite them over to celebrate your new canopy gazebo and enjoy...