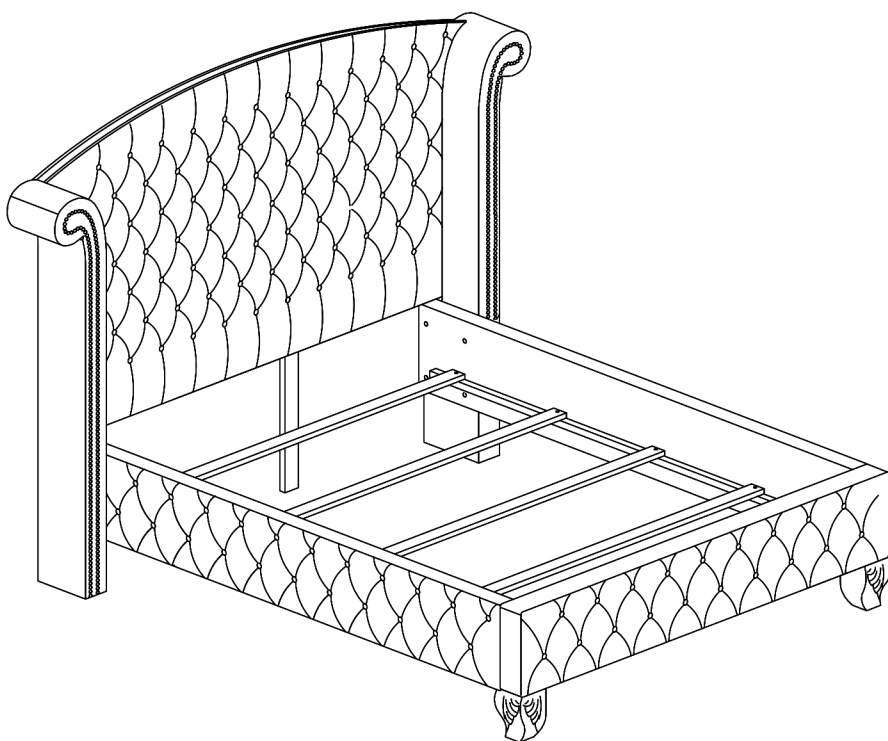
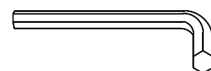


# ASSEMBLY INSTRUCTIONS



## TOOLS REQUIRED



**Allen Wrench**

(Included)



**Philip Screwdriver**

(Not Included)



**2 - People  
Recommended**

## ASSEMBLY RATING



**EASY** ————— **DIFFICULT**

The Assembly Rating is a 5-point system showing the level of effort needed to assemble a specific product.



## **CHECK BEFORE STARTING**

### **Are you missing anything?**

Double-check all parts, hardware and accessories listed are all accounted for.

### **Should we send any replacements?**

Are there any irregularities or flaws in the parts? We can send replacements!

### **Check out our Quick Tips!**

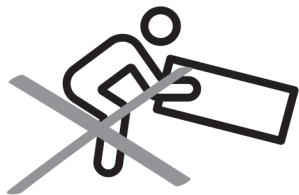
We recommend reviewing the pre-assembly handouts. Even experts need a refresher now and then!

### **Prep Time!**

Please review the assembly instructions and all diagrams prior to assembling.

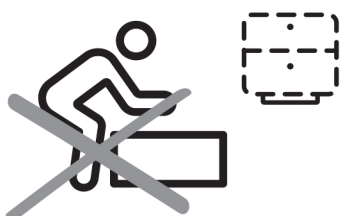
# PRE ASSEMBLY INTRODUCTION

We understand building ready-to-assemble furniture can be a challenging experience for some. To help avoid confusion, we have provided some helpful tips that may speed up the process.



## Teamwork

ALWAYS have at least two people to help with transporting and assembling the product to avoid potential injury and/or damage.



## Suitable Location

Assembling near the area of the intended location is highly recommended.



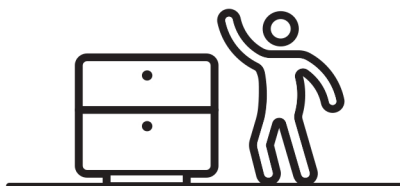
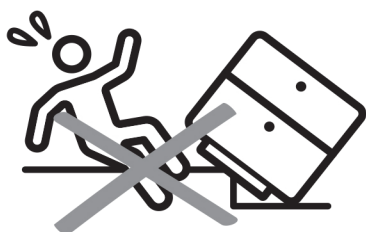
## Sufficient Space

Make sure you have enough space to move around during the assembly.



## Avoid Scratches

Use cardboard, blankets or a carpeted area while assembling furniture to prevent to prevent scratches and damages.



## Flat Surface

Make sure the furniture rests on a flat and level surface with each leg evenly touching the floor.

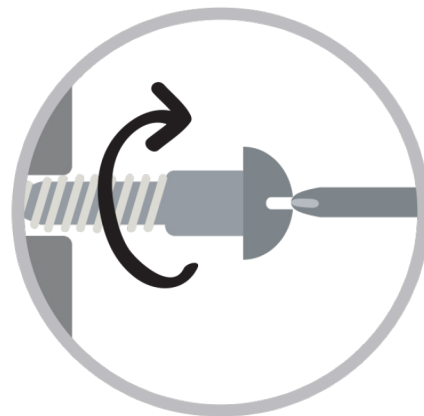
# ASSEMBLY AND CARE ADVICE



**FAILURE TO FOLLOW THE GUIDELINES BELOW MAY RESULT IN INJURY AND/OR PROPERTY DAMAGE.**



Position each part correctly and insert screws or bolts into their respective holes.



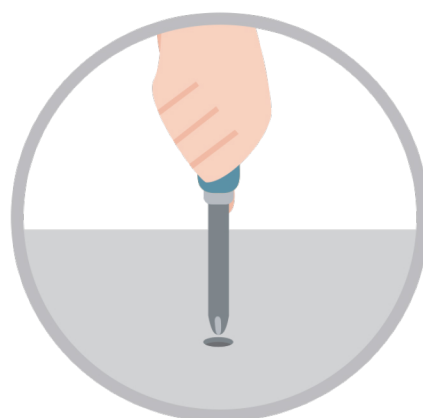
Turn clockwise to tighten and only tighten when step is completed or when instructed to do so.



Use the appropriate hand tools or power tools for assembly. Select steps, such as tightening screws and/or bolts, may require hand tools to avoid causing damage during assembly.



Save the instructions and store any supplied tools for later maintenance.



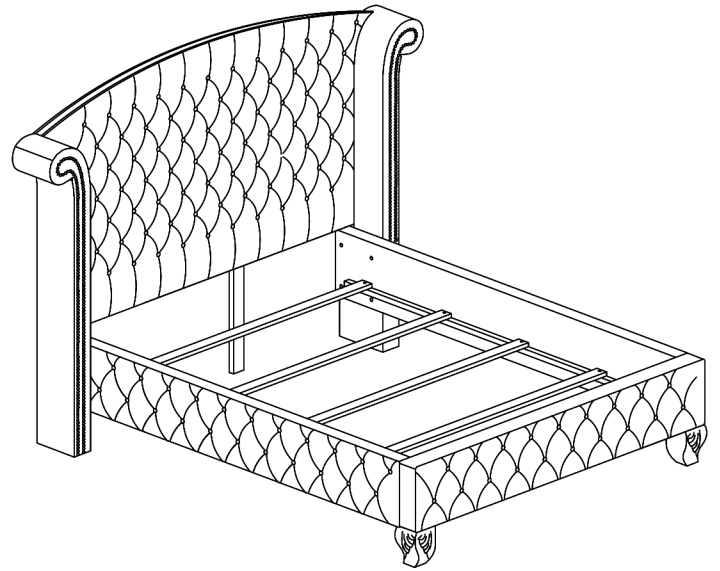
After two weeks, check and tighten any loose hardware and repeat again every six months thereafter.

**IT IS THE USER'S RESPONSIBILITY TO MAINTAIN THE FURNITURE. THE HARDWARE MAY LOOSEN OVER TIME AND MAY CAUSE THE FURNITURE TO BE WOBBLY AND UNABLE TO SUPPORT ITS INTENDED WEIGHT CAPACITY. THIS MAY LEAD TO COLLAPSE AND MAY CAUSE SERIOUS INJURY.**

# BED

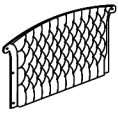


- Please keep instructions for future reference.
- Check the quantity and irregularity of parts and hardware before you start.



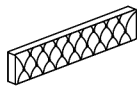
## PARTS

#1 1pc



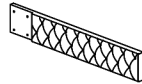
Headboard

#2 1pc



Footboard

#3 2pcs



Rail (L&R)

#4 2pcs



Ear Panel (L&R)

#5 2pcs



Footboard Leg

#6 1pc



Headboard Support Leg

#7 4pcs



Slats

## HARDWARE

#A 1pc



Allen Wrench 4mm

#B 8pcs



Bolt Ø1/4" x 1-1/2"

#C 8pcs



Bolt Ø1/4" x 3-1/2"

#D 4pcs



Bolt Ø1/4" x 1-3/16"

#E 2pcs



Bolt  
Ø5/16" x 3-1/2"

#F 20pcs



Lock Washer  
Ø1/4"

#G 4pcs



Flat Washer  
Ø1/4" x 19mm

#H 16pcs



Flat Washer  
Ø1/4" x 25mm

#I 2pcs



Anti Slip Sheet

#J 2pcs



Lock Washer Ø5/16"

#K 2pcs

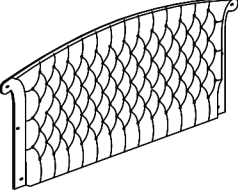
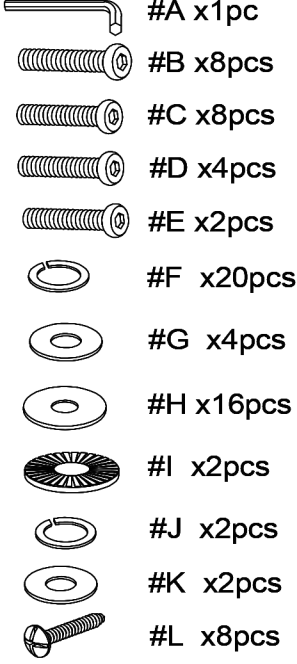

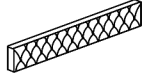
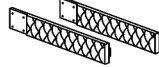

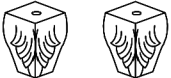
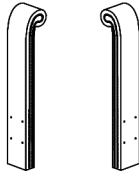


Flat Washer Ø5/16"

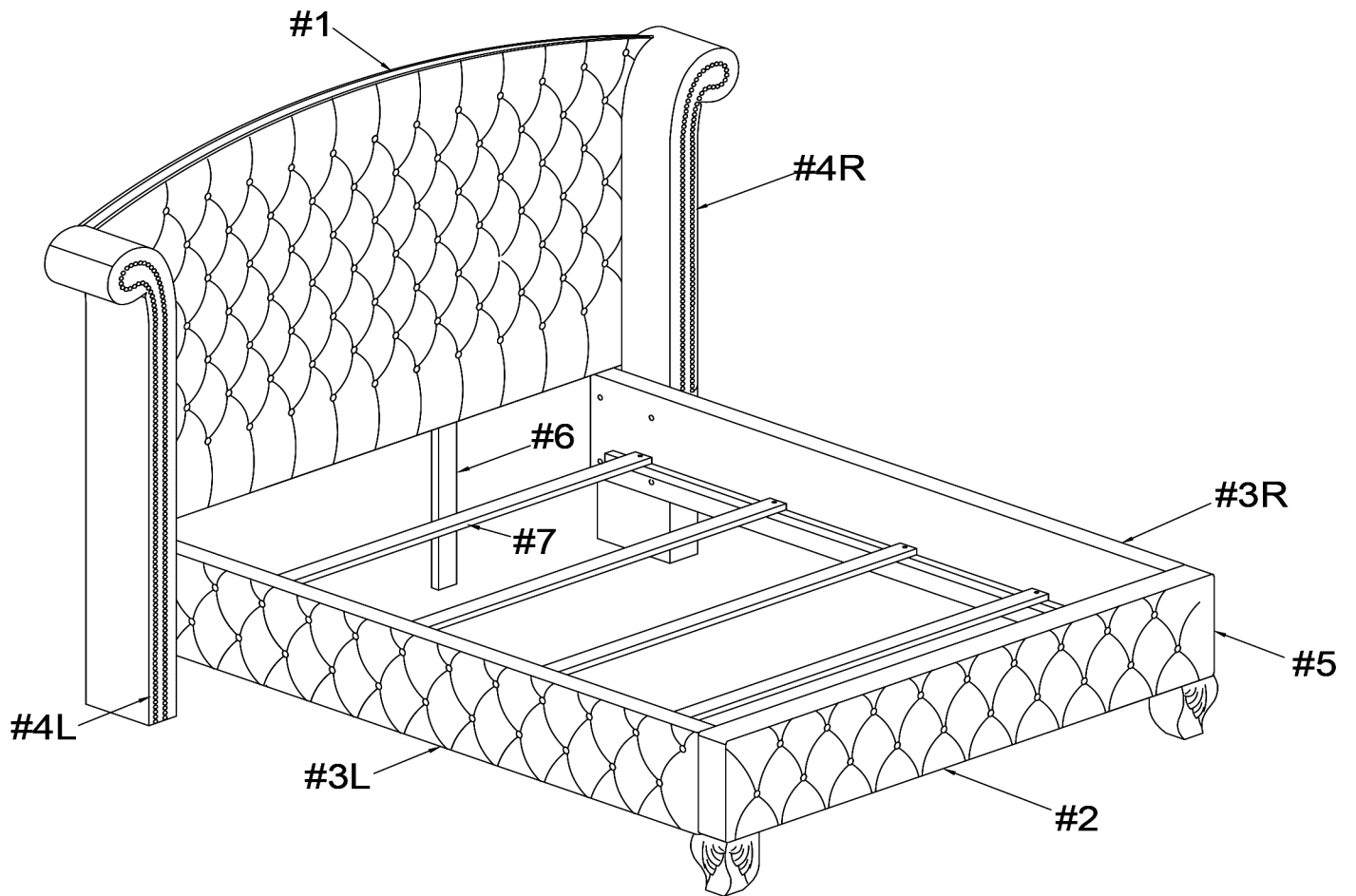
#L 8pcs



Screw M4 x 1-3/16"

	Disignation	Part	Part	Hardware
	Headboard	#1		
	Headboard Support Leg	#6		
	Footboard	#2		
	Rail (L&R) (2pcs)	#3		
	Slats (4pcs)	#7		
	Footboard Leg(2pcs)	#5		
	Ear Panel (L&R)( 2pcs)	#4		

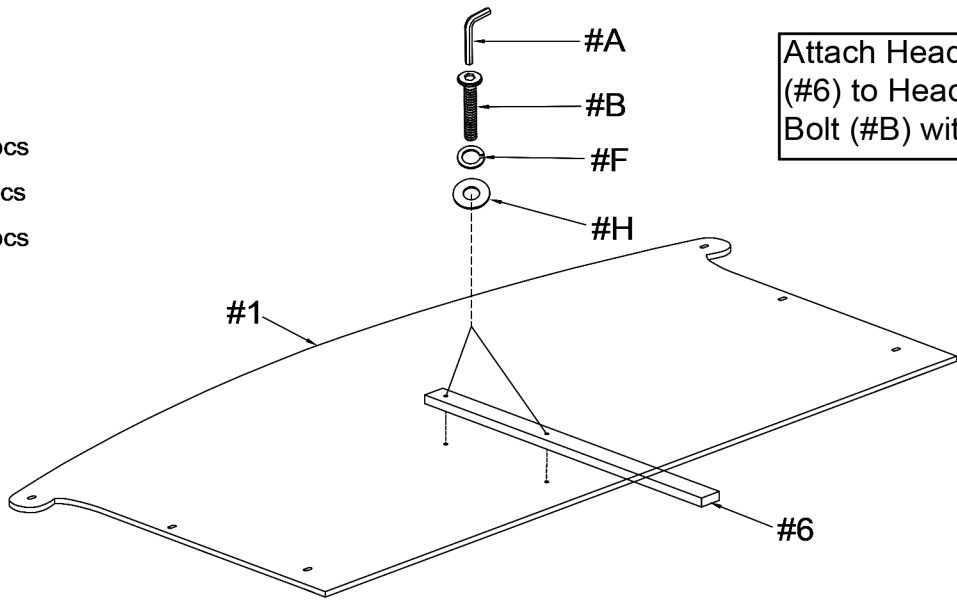
# Exploded View



# ASSEMBLY INSTRUCTIONS

## 1

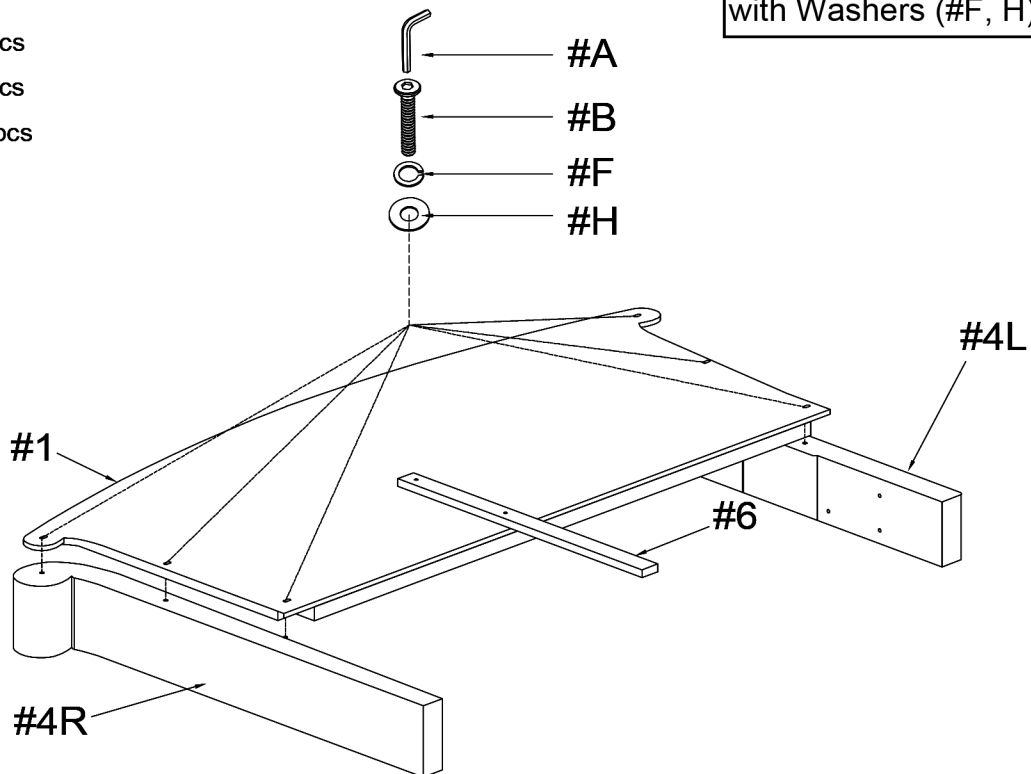
- Part **#1** x1pc
- Part **#6** x2pcs
- Hardware **#B** x2pcs
- Hardware **#F** x2pcs
- Hardware **#H** x2pcs



Attach Headboard Support Leg (#6) to Headboard (#1) using Bolt (#B) with Washers (#F, H)

## 2

- Part **#4** x2pcs
- Hardware **#B** x6pcs
- Hardware **#F** x6pcs
- Hardware **#H** x6pcs



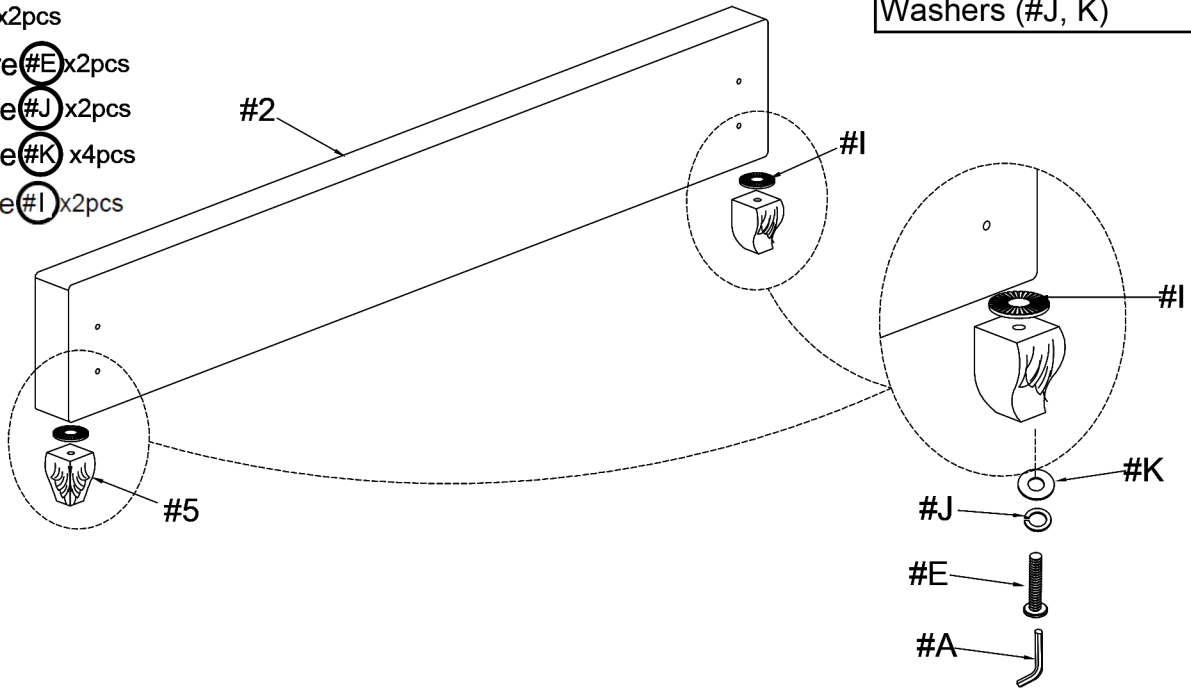
Attach Ear Panel (L/R) (#4) to Headboard (#1) using Bolt (#B) with Washers (#F, H)

# ASSEMBLY INSTRUCTIONS

## 3

- Part #2 x1pc
- Part #5 x2pcs
- Hardware #E x2pcs
- Hardware #J x2pcs
- Hardware #K x4pcs
- Hardware #I x2pcs

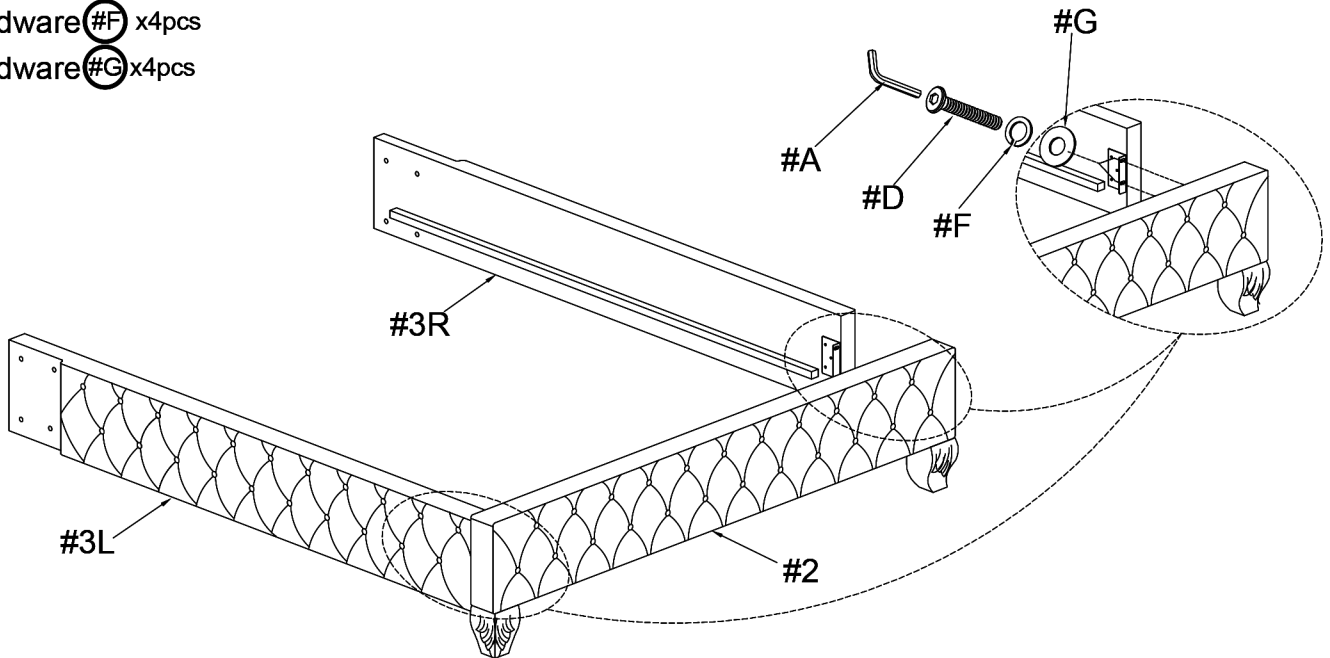
Attach Footboard Leg (#5) to Footboard (#2) using Anti Slip Sheet (#I) and Bolt (#E) with Washers (#J, K)



## 4

- Part #3 x2pcs
- Hardware #D x4pcs
- Hardware #F x4pcs
- Hardware #G x4pcs

Attach Rail (L/R) (#3) to Footboard (#2) using Bolt (#D) with Washers (F, G)

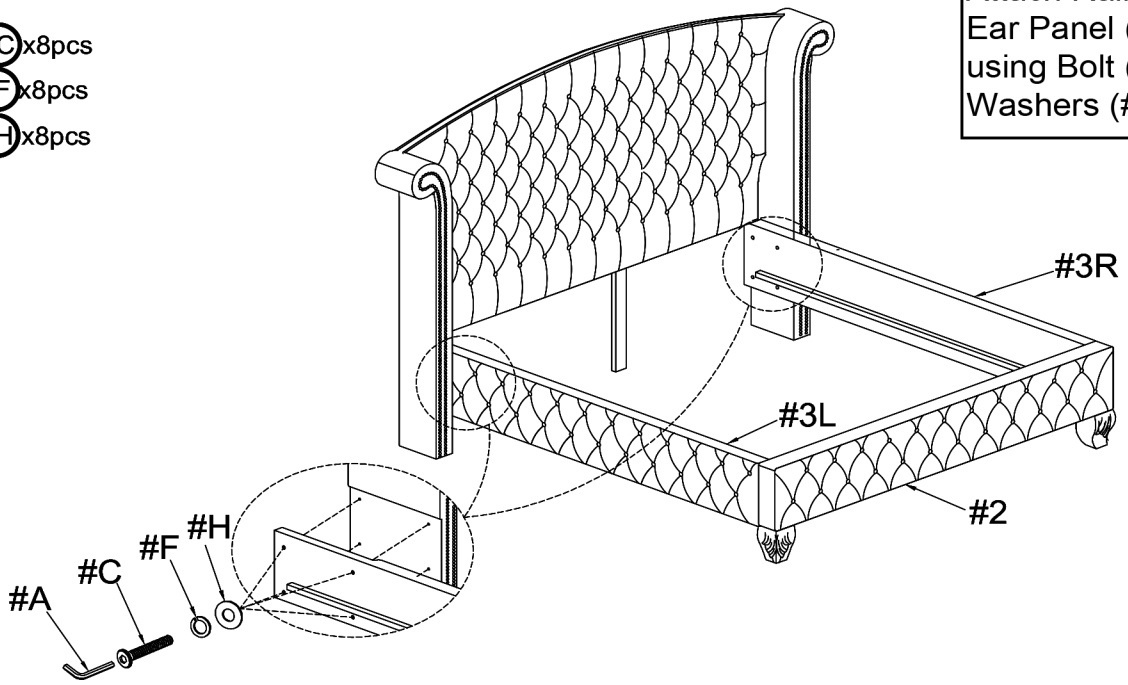


# ASSEMBLY INSTRUCTIONS

## 5

Hardware **#C** x8pcs  
Hardware **#F** x8pcs  
Hardware **#H** x8pcs

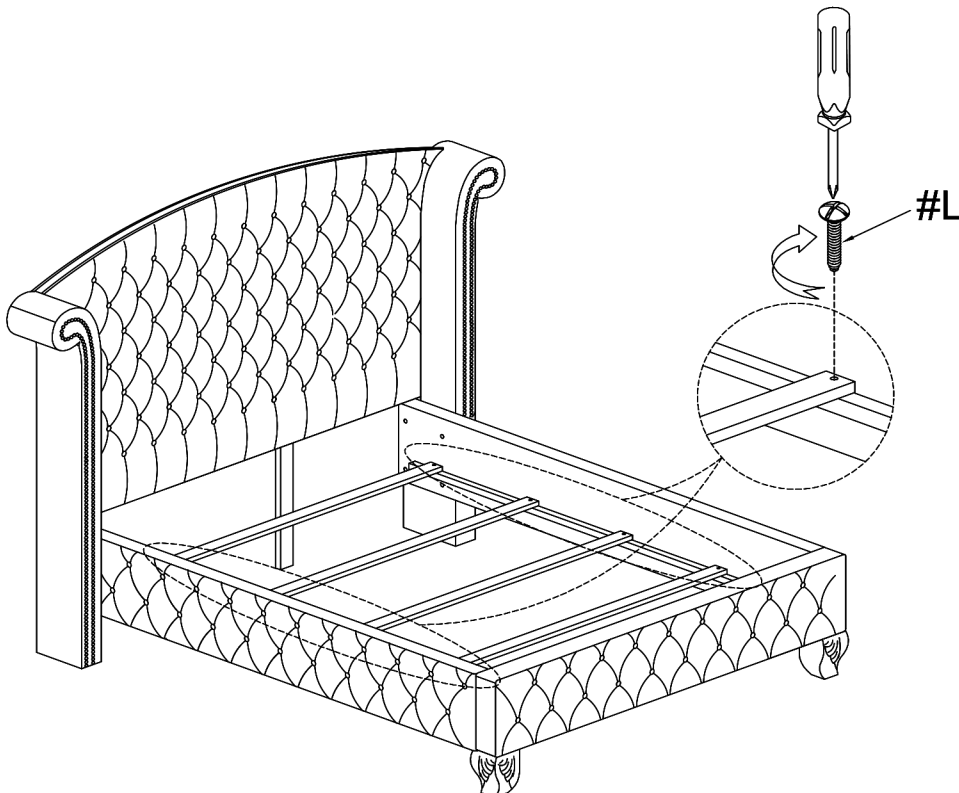
Attach Rail (L/R) (#3) to Ear Panel (L/R) (#4) using Bolt (#C) with Washers (#F, H)



## 6

Hardware **#L** x8pcs

Attach Slats (#7) using Screw (#L)



## ASSEMBLY COMPLETED



Please ensure the furniture rests on an even and flat surface. If the product wobbles or feels loose, double-check all bolts and/or screws are properly tightened and secured.



### Keep this handy!

Please retain this instruction manual and any order-related information for future reference.



### Lift, don't drag!

To avoid damage to product please always LIFT the product when transporting or adjusting the placement.