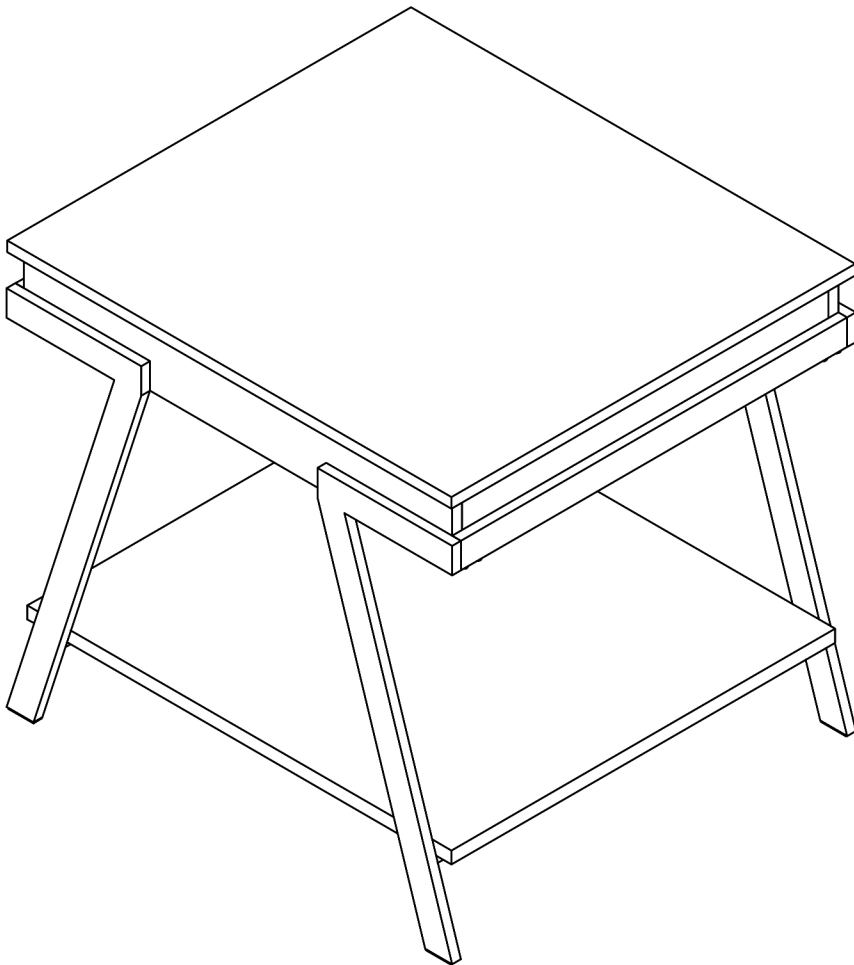
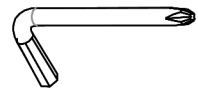


# ASSEMBLY INSTRUCTIONS

---



## TOOLS REQUIRED



Allen Wrench

(Included)



2 - People  
Recommended

## ASSEMBLY RATING



EASY → DIFFICULT

The Assembly Rating is a 5-point system showing the level of effort needed to assemble a specific product.



## **CHECK BEFORE STARTING**



### **Are you missing anything?**

Double-check all parts, hardware and accessories listed are all accounted for.



### **Should we send any replacements?**

Are there any irregularities or flaws in the parts? We can send replacements!



### **Check out our Quick Tips!**

We recommend reviewing the pre-assembly handouts. Even experts need a refresher now and then!

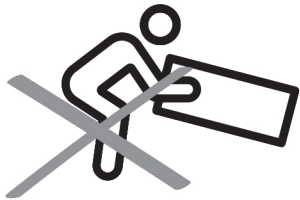


### **Prep Time!**

Please review the assembly instructions and all diagrams prior to assembling.

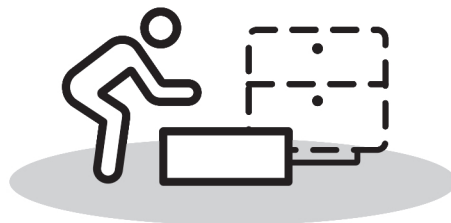
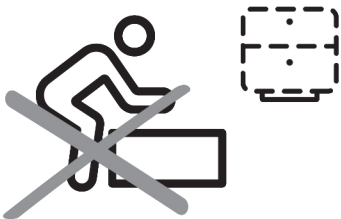
# PRE ASSEMBLY INTRODUCTION

We understand building ready-to-assemble furniture can be a challenging experience for some. To help avoid confusion, we have provided some helpful tips that may speed up the process.



## Teamwork

ALWAYS have at least two people to help with transporting and assembling the product to avoid potential injury and/or damage.



## Suitable Location

Assembling near the area of the intended location is highly recommended.



## Sufficient Space

Make sure you have enough space to move around during the assembly.



## Avoid Scratches

Use cardboard, blankets or a carpeted area while assembling furniture to prevent to prevent scratches and damages.



## Flat Surface

Make sure the furniture rests on a flat and level surface with each leg evenly touching the floor.

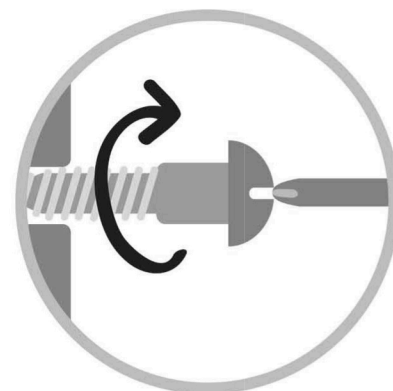
# ASSEMBLY AND CARE ADVICE



**FAILURE TO FOLLOW THE GUIDELINES BELOW MAY RESULT IN INJURY AND/OR PROPERTY DAMAGE.**



Position each part correctly and insert screws or bolts into their respective holes.



Turn clockwise to tighten and only tighten when step is completed or when instructed to do so.



Save the instructions and store any supplied tools for later maintenance.

Use the appropriate hand tools or power tools for assembly. Select steps, such as tightening screws and/or bolts, may require hand tools to avoid causing damage during assembly.



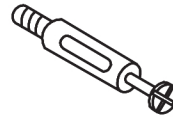
After two weeks, check and tighten any loose hardware and repeat again every six months thereafter.

**IT IS THE USER'S RESPONSIBILITY TO MAINTAIN THE FURNITURE. THE HARDWARE MAY LOOSEN OVER TIME AND MAY CAUSE THE FURNITURE TO BE WOBBLY AND UNABLE TO SUPPORT ITS INTENDED WEIGHT CAPACITY. THIS MAY LEAD TO COLLAPSE AND MAY CAUSE SERIOUS INJURY.**

# CAM LOCK FASTENER ASSEMBLY INSTRUCTIONS

## Note :

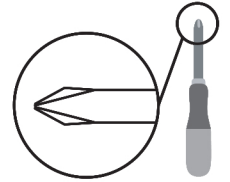
Every cam lock bolt must have a cam lock connector in order to fasten the parts together.



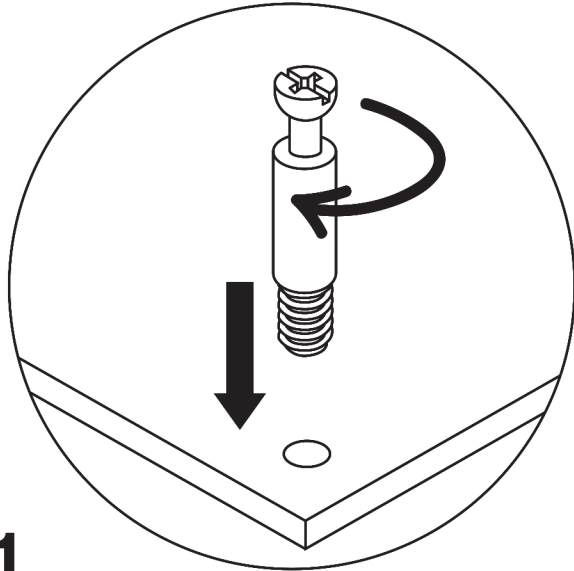
cam bolt



cam lock

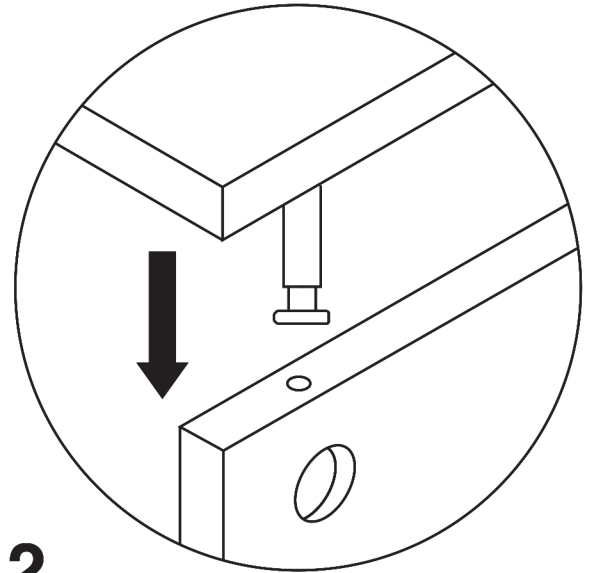


screwdriver



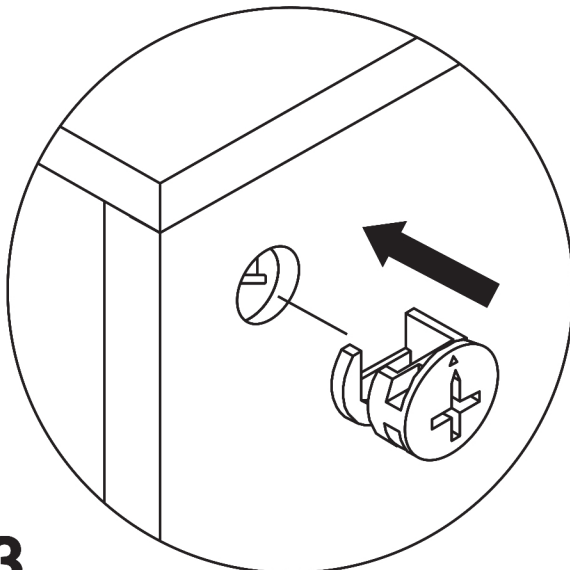
**1**

Screw the cam bolt into panel.



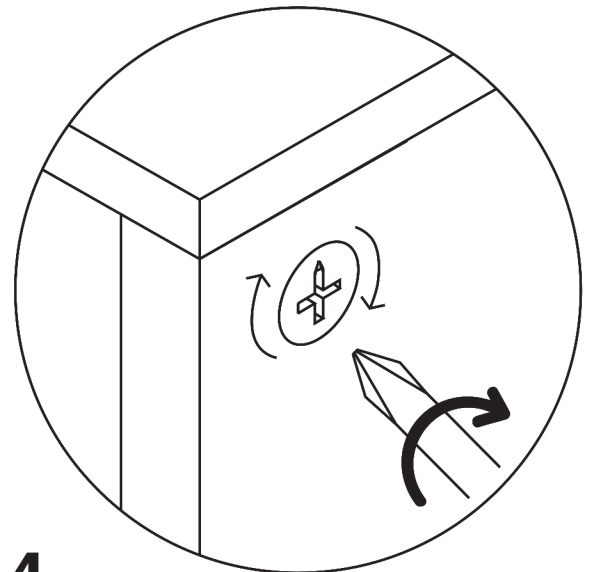
**2**

Insert the cam bolt into the bolt hole of joint panel.



**3**

Align the cam lock with its side opening (or arrow) pointing to cam bolt.



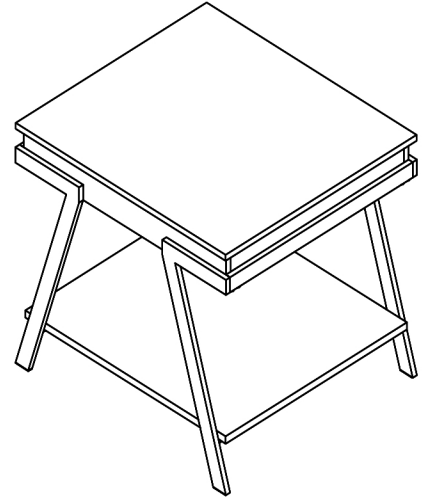
**4**

Turn the cam lock clockwise gently until it will not turn any more.

# END TABLE

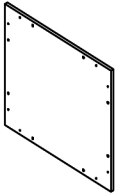


- Please keep instructions for future reference.
- Check the quantity and irregularity of parts and hardware before you start.



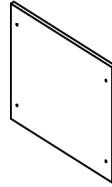
## PARTS

#1 1pc



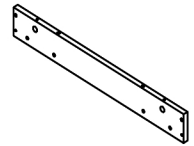
TOP PANEL

#2 1pc



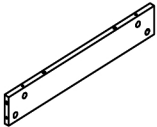
SHELF

#3 2pcs



FRONT AND BACK WOOD PANEL

#4 2pcs



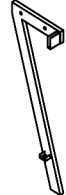
LEFT AND RIGHT WOOD PANEL

#5 2pcs



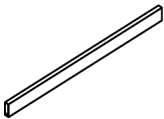
LEG 1

#6 2pcs



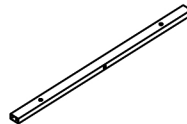
LEG 2

#7 2pcs



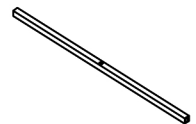
TOP CROSSBAR

#8 2pcs



BOTTOM CROSSBAR

#9 1pc

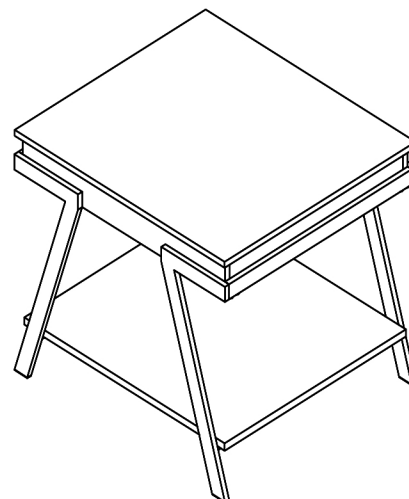


SUPPORT CROSSBAR

# END TABLE



- Please keep instructions for future reference.
- Check the quantity and irregularity of parts and hardware before you start.



## HARDWARE

#A 12pcs



Cam-Bolt 38mm

#B 12pcs



Cam-Lock  $\phi$ 15mm

#C 12pcs



Wood Dowel 8 x 30mm

#D 12pcs



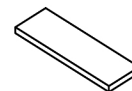
Short Bolt 1/4" x 9mm

#E 12pcs



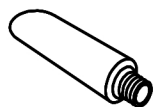
Bolt 1/4" x 22mm

#F 4pcs



Felt Pad

#G 1pc



Glue

#H 2pcs



Long Bolt 1/4" x 47mm

#I 1pc



Screw 4 x 25mm

#J 1pc



Allen Wrench 4mm

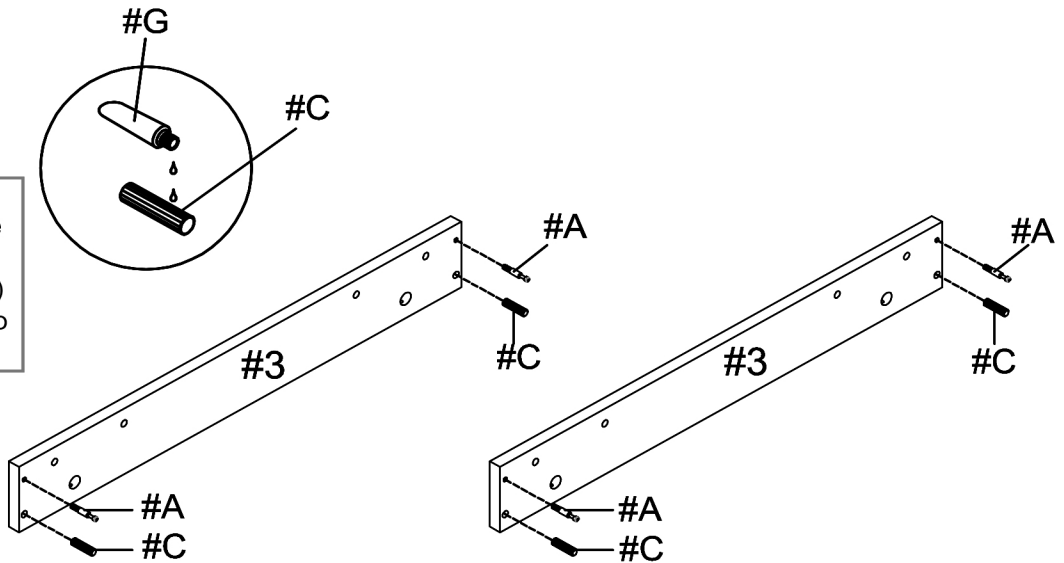
# ASSEMBLY INSTRUCTIONS

## 1

- Part #3 x2pcs
- Hardware #A x4pcs
- Hardware #C x4pcs
- Hardware #G x1pc

Prepare parts (#3) by attaching Cam Bolts (#A) and Wood Dowels (#C).

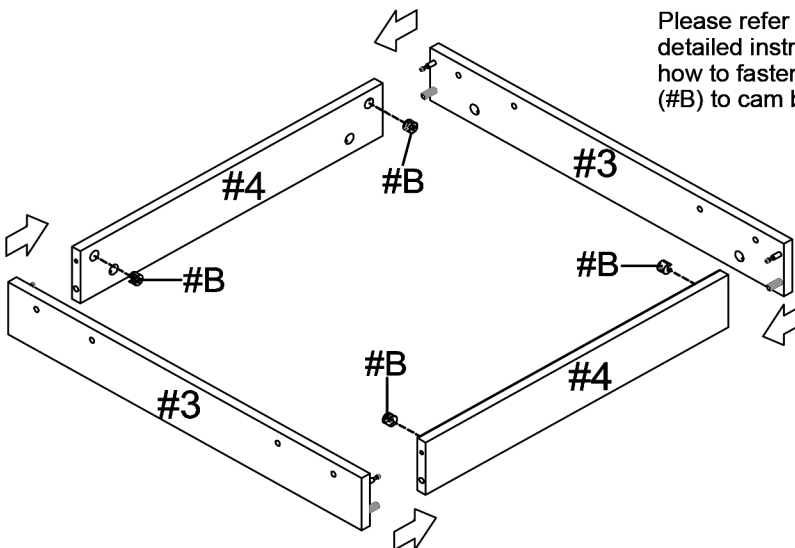
OPTIONAL  
Apply a dab of glue onto the end of the wooden dowel (#C) before inserting into panel hole.



## 2

- Part #3 x2pcs
- Part #4 x2pcs
- Hardware #B x4pcs

Align the Left and Right Wood Panels (#4) to the Front and Back Wood Panels (#3).



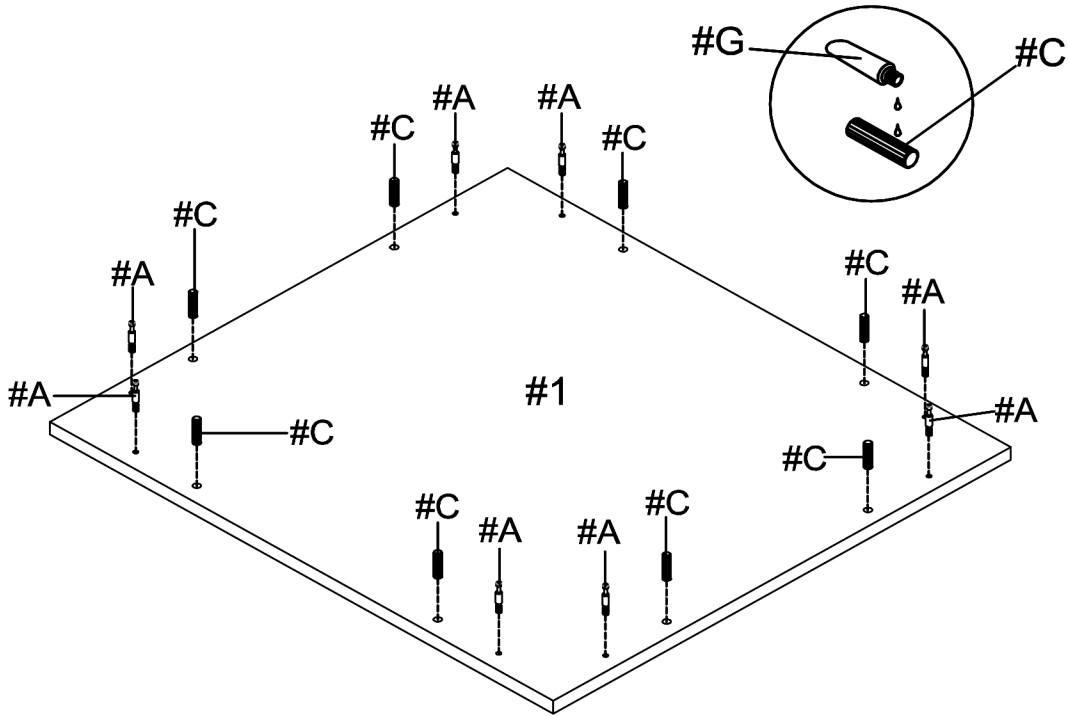
Please refer to Page 5 for detailed instructions on how to fasten cam locks (#B) to cam bolts (#A).

# ASSEMBLY INSTRUCTIONS

## 3

- Part #1 x1pc
- Hardware #A x8pcs
- Hardware #C x8pcs
- Hardware #G x1pc

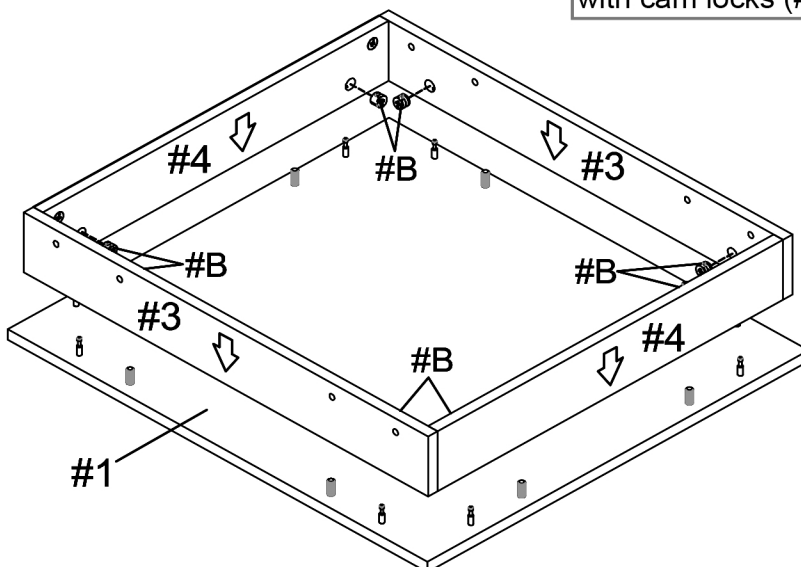
Prepare the Top Panel (#1) with Cam Bolts(#A) and Wood Dowels (#C).



## 4

- Part #1 x1pc
- Part #3 x2pcs
- Part #4 x2pcs
- Hardware #B x8pcs

Align the square assembly to the Top Panel (#1) and secure with cam locks (#B).

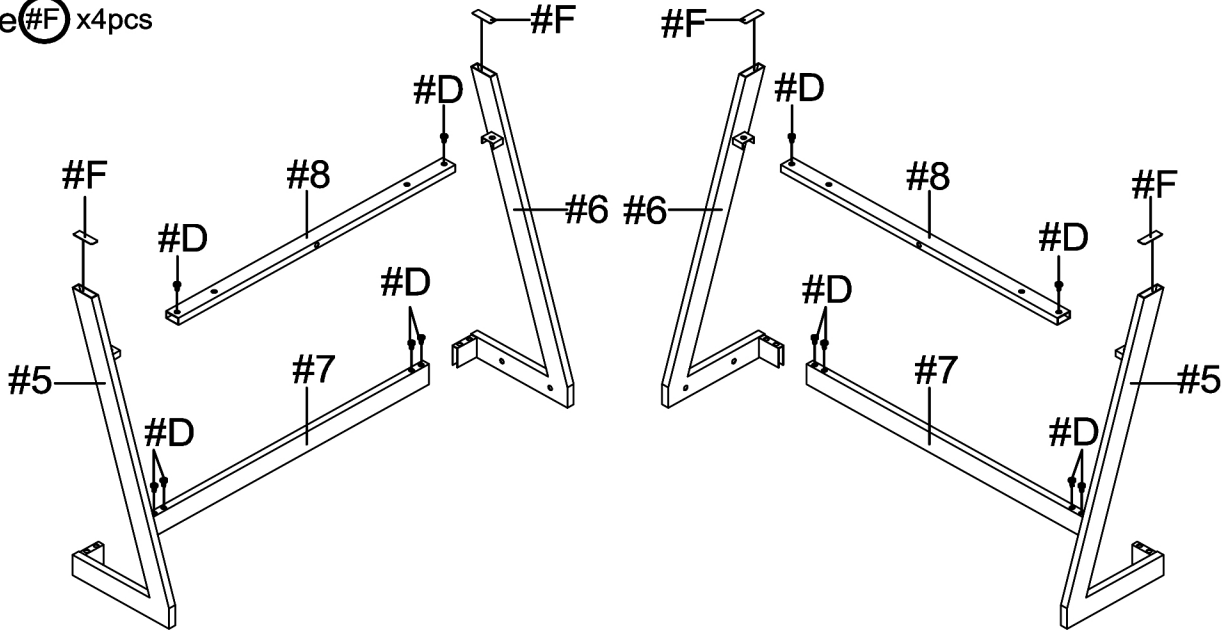


# ASSEMBLY INSTRUCTIONS

## 5

- Part #5 x2pcs
- Part #6 x2pcs
- Part #7 x2pcs
- Part #8 x2pcs
- Hardware #D x12pcs
- Hardware #F x4pcs

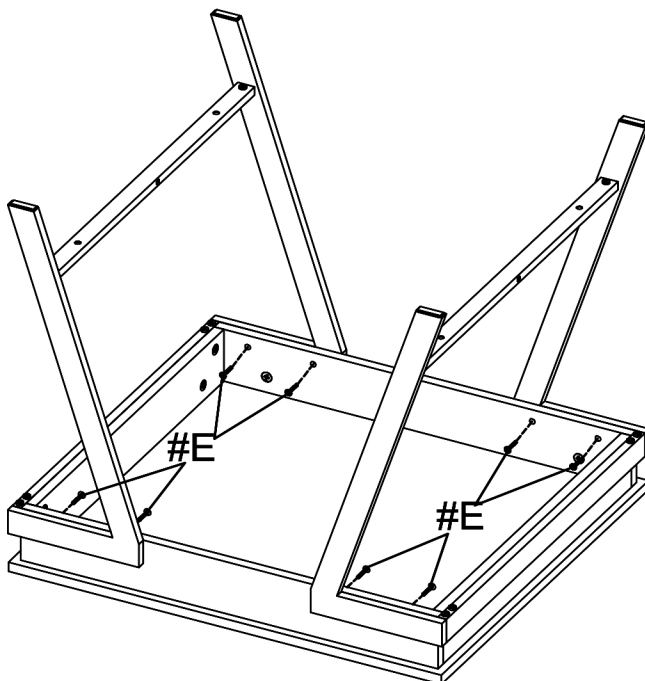
- I. Align the Top Crossbar (#7) to the Leg 1 (#5) and Leg 2 (#6). Secure using Short Bolt (#D).
- II. Align the Bottom Crossbar (#8) to the Leg 1 (#5) and Leg 2 (#6). Secure using Short Bolt (#D).
- III. Add Felt pads (#F) to Leg 1 (#5) and Leg 2 (#6).



## 6

- Hardware #E x8pcs

Align the legs to the Top and secure using Bolt (#E).

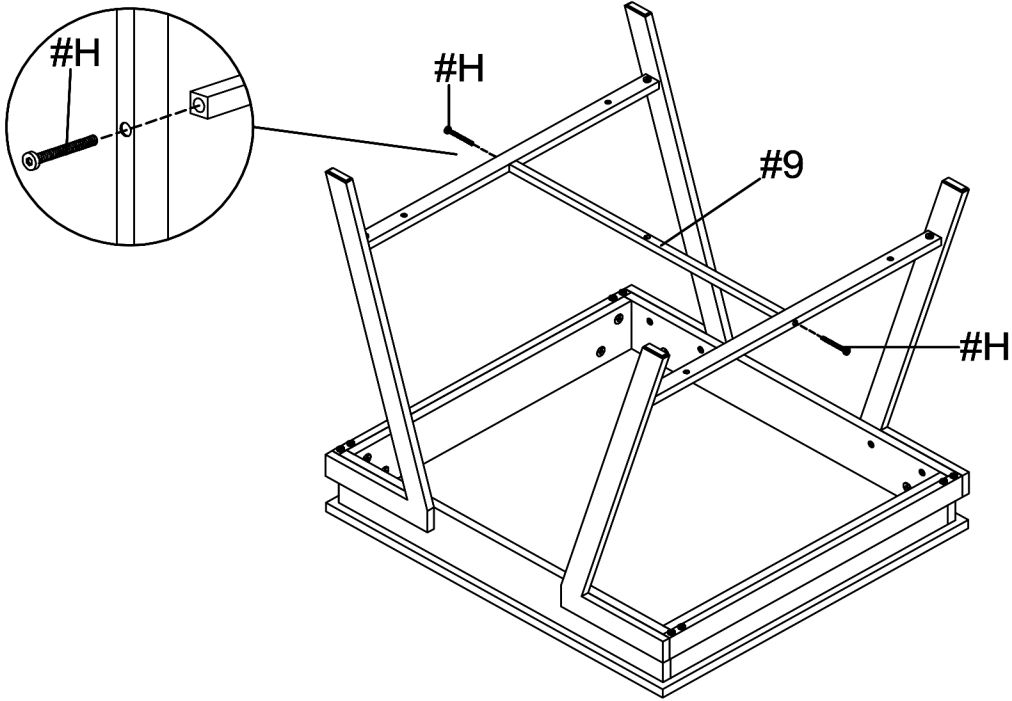


# ASSEMBLY INSTRUCTIONS

## 7

Part #9 x1pc  
Hardware #H x2pcs

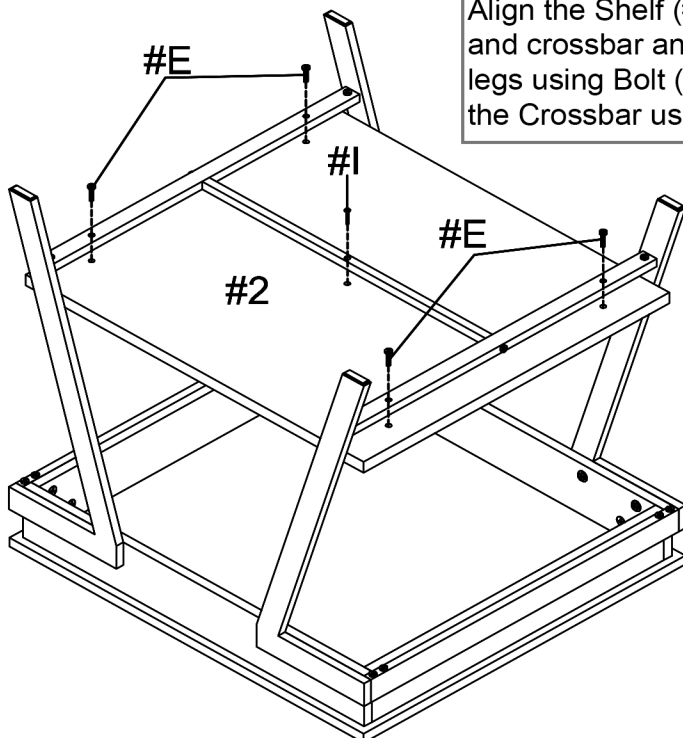
Align the Support Crossbar (#9) to the Legs and Secure using Long Bolt (#H).



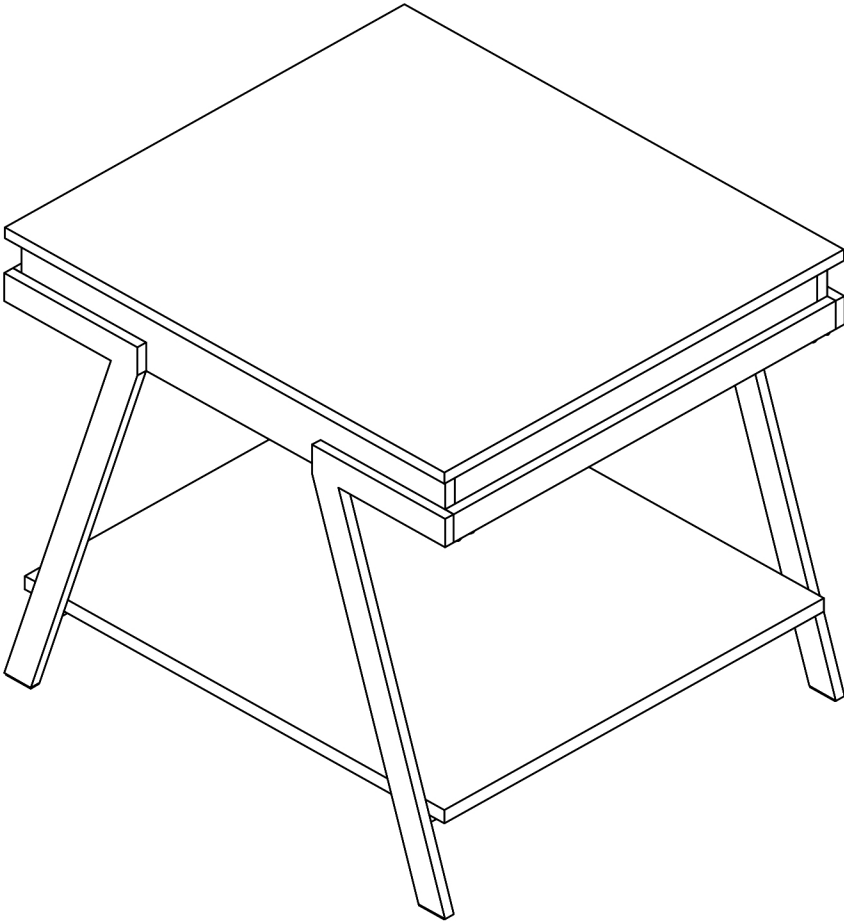
## 8

Part #2 x1pc  
Hardware #E x4pcs  
Hardware #I x1pc

Align the Shelf (#2) to the legs and crossbar and secure at the legs using Bolt (#E). Secure at the Crossbar using Screw (#I).



9



## **ASSEMBLY COMPLETED**



Please ensure the furniture rests on an even and flat surface. If the product wobbles or feels loose, double-check all bolts and/or screws are properly tightened and secured.



### **Keep this handy!**

Please retain this instruction manual and any order-related information for future reference.



### **Lift, don't drag!**

To avoid damage to product please always LIFT the product when transporting or adjusting the placement.