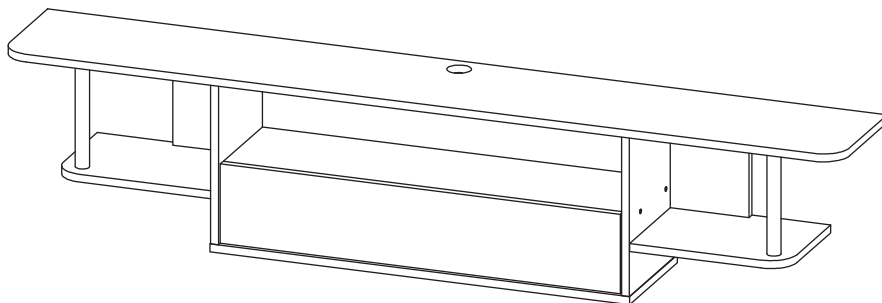


ASSEMBLY INSTRUCTIONS



TOOLS REQUIRED



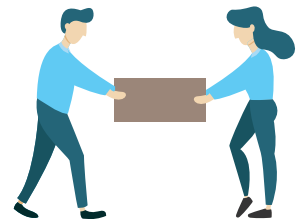
Hammer

(Not Included)



**Philips
Screwdriver**

(Not Included)



**2 - People
Recommended**

ASSEMBLY RATING



EASY —————> DIFFICULT

The Assembly Rating is a 5-point system showing the level of effort needed to assemble a specific product.



CHECK BEFORE STARTING

Are you missing anything?

Double-check all parts, hardware and accessories listed are all accounted for.

Check out our Quick Tips!

We recommend reviewing the pre-assembly handouts. Even experts need a refresher now and then!

Should we send any replacements?

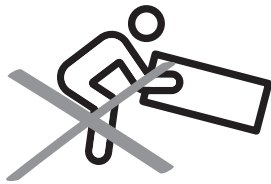
Are there any irregularities or flaws in the parts? We can send replacements!

Prep Time!

Please review the assembly instructions and all diagrams prior to assembling. Arrange parts as recommended on Page 7 and group identical hardware together to make assembling easier.

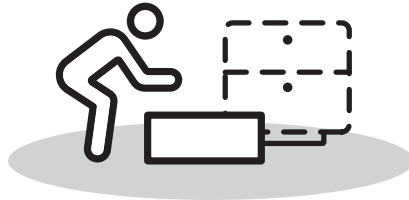
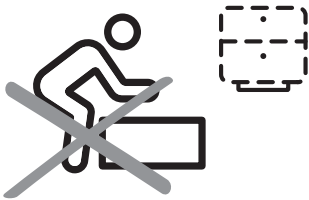
PRE ASSEMBLY INTRODUCTION

We understand building ready-to-assemble furniture can be a challenging experience for some. To help avoid confusion, we have provided some helpful tips that may speed up the process.



Teamwork

ALWAYS have at least two people to help with transporting and assembling the product to avoid potential injury and/or damage.



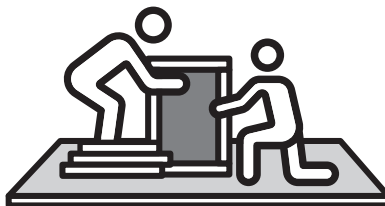
Suitable Location

Assembling near the area of the intended location is highly recommended.



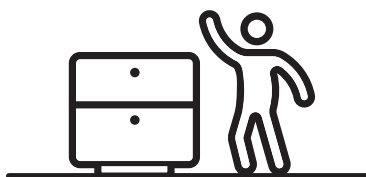
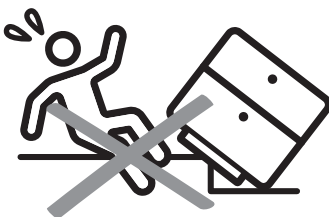
Sufficient Space

Make sure you have enough space to move around during the assembly.



Avoid Scratches

Use cardboard, blankets or a carpeted area while assembling furniture to prevent scratches.



Flat Surface

Make sure the furniture rests on a flat and level surface with each leg evenly touching the floor.

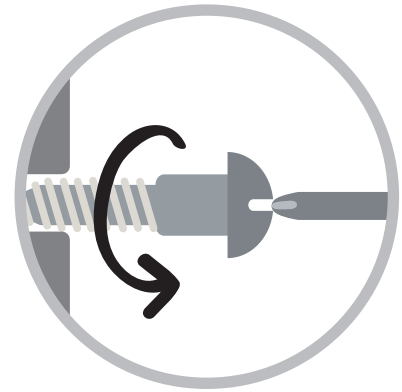
ASSEMBLY AND CARE ADVICE



FAILURE TO FOLLOW THE GUIDELINES BELOW MAY RESULT IN INJURY AND/OR PROPERTY DAMAGE.



Position each part correctly and insert screws or bolts into their respective holes.



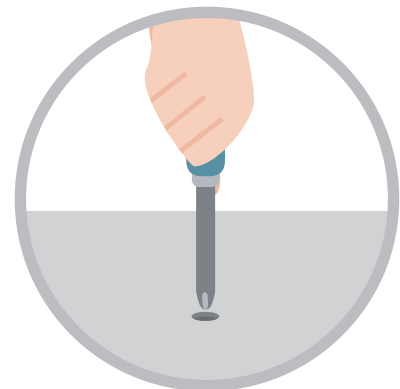
Turn clockwise to tighten and only tighten when step is completed or when instructed to do so.



Use the appropriate hand tools or power tools for assembly. Select steps, such as tightening screws and/or bolts, may require hand tools to avoid causing damage during assembly.



Save the instructions and store any supplied tools for later maintenance.



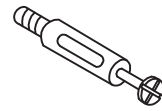
After two weeks, check and tighten any loose hardware and repeat again every six months thereafter.

IT IS THE USER'S RESPONSIBILITY TO MAINTAIN THE FURNITURE. THE HARDWARE MAY LOOSEN OVER TIME AND MAY CAUSE THE FURNITURE TO BE WOBBLY AND UNABLE TO SUPPORT ITS INTENDED WEIGHT CAPACITY. THIS MAY LEAD TO COLLAPSE AND MAY CAUSE SERIOUS INJURY.

CAM LOCK FASTENER ASSEMBLY INSTRUCTIONS

Note :

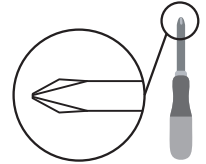
Every cam lock bolt must have a cam lock connector in order to fasten the parts together.



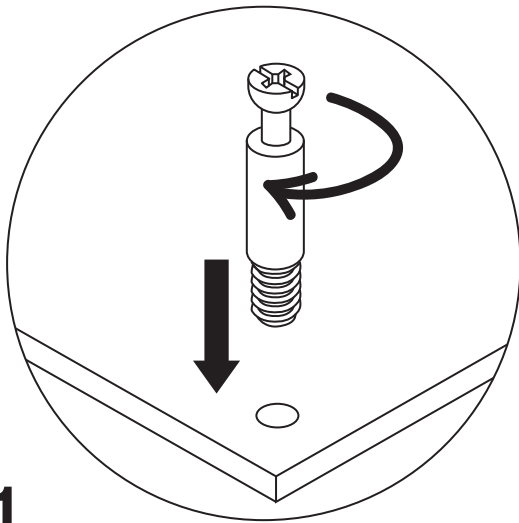
cam bolt



cam lock

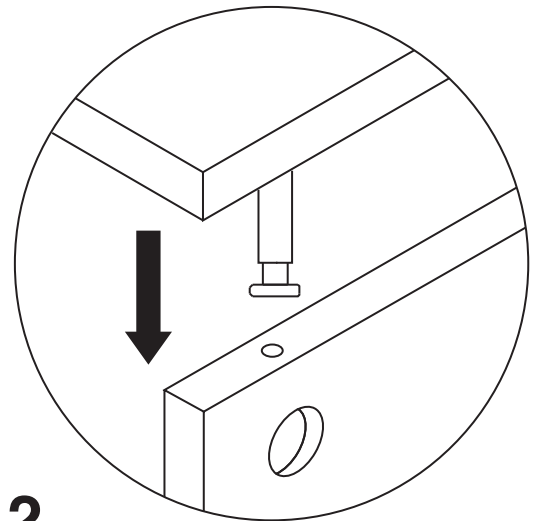


screwdriver



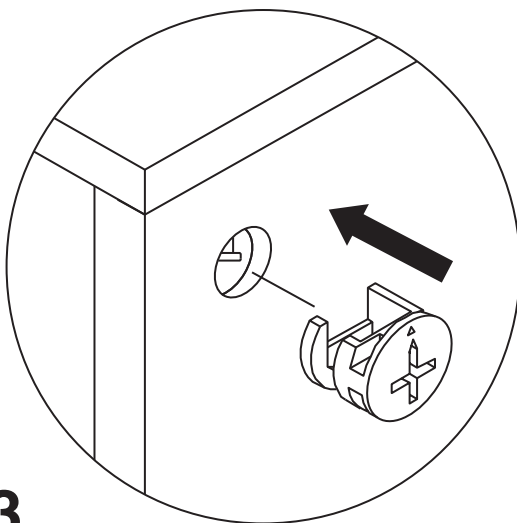
1

Screw the cam bolt into panel.



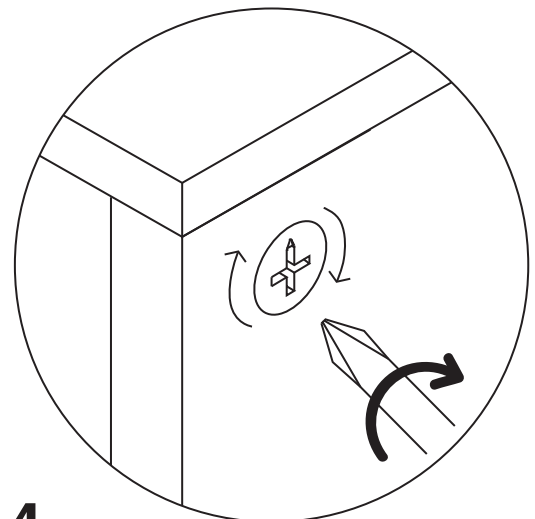
2

Insert the cam bolt into the bolt hole of joint panel.



3

Align the cam lock with its side opening (or arrow) pointing to cam bolt.



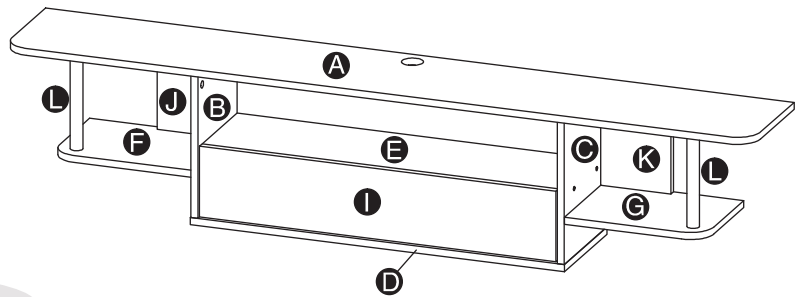
4

Turn the cam lock clockwise gently until it will not turn any more.

FLOATING TV CONSOLE

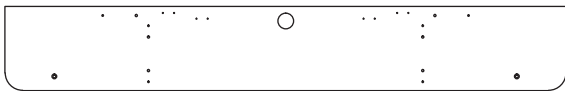


- Please keep instructions for future reference.
- Check the quantity and irregularity of parts and hardware before you start.

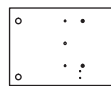


PARTS

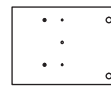
A1PC



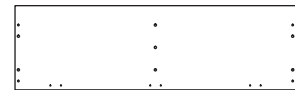
B1PC



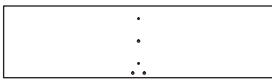
C1PC



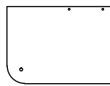
D1PC



E1PC



F1PC



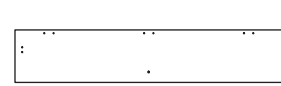
G1PC



H1PC



I1PC



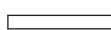
J1PC



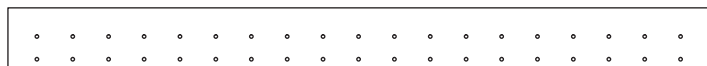
K1PC



L2PCS

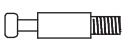


M1PC



HARDWARE

① 8PCS

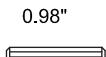


② 8PCS



0.47"

③ 16PCS



0.98"

④ 18PCS

1.49"



⑤ 2PCS



⑥ 2PCS



⑦ 3PCS

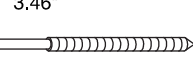


⑧ 16PCS



0.59"

⑨ 6PCS



3.46"

ACCESSORIES

A1 4PCS



A2 12PCS



0.62"

A3 1PC



A4 10PCS



A5 1PC



A6 1PC



A7 1PC



A8 1PC



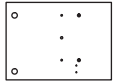
A9 1PC



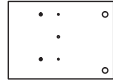
GET READY

Please group boards as below.

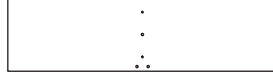
B1PC



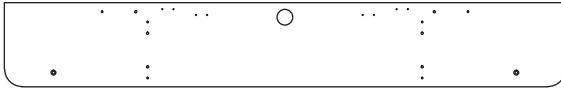
C1PC



E1PC



A1PC



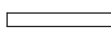
J1PC



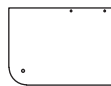
K1PC



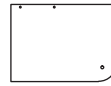
L2PCS



F1PC



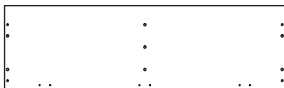
G1PC



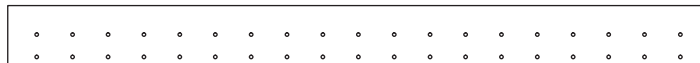
H1PC



D1PC

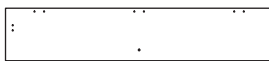


M1PC



Body

I1PC



Door

ASSEMBLY INSTRUCTIONS

1

Hardware ① x 8PCS

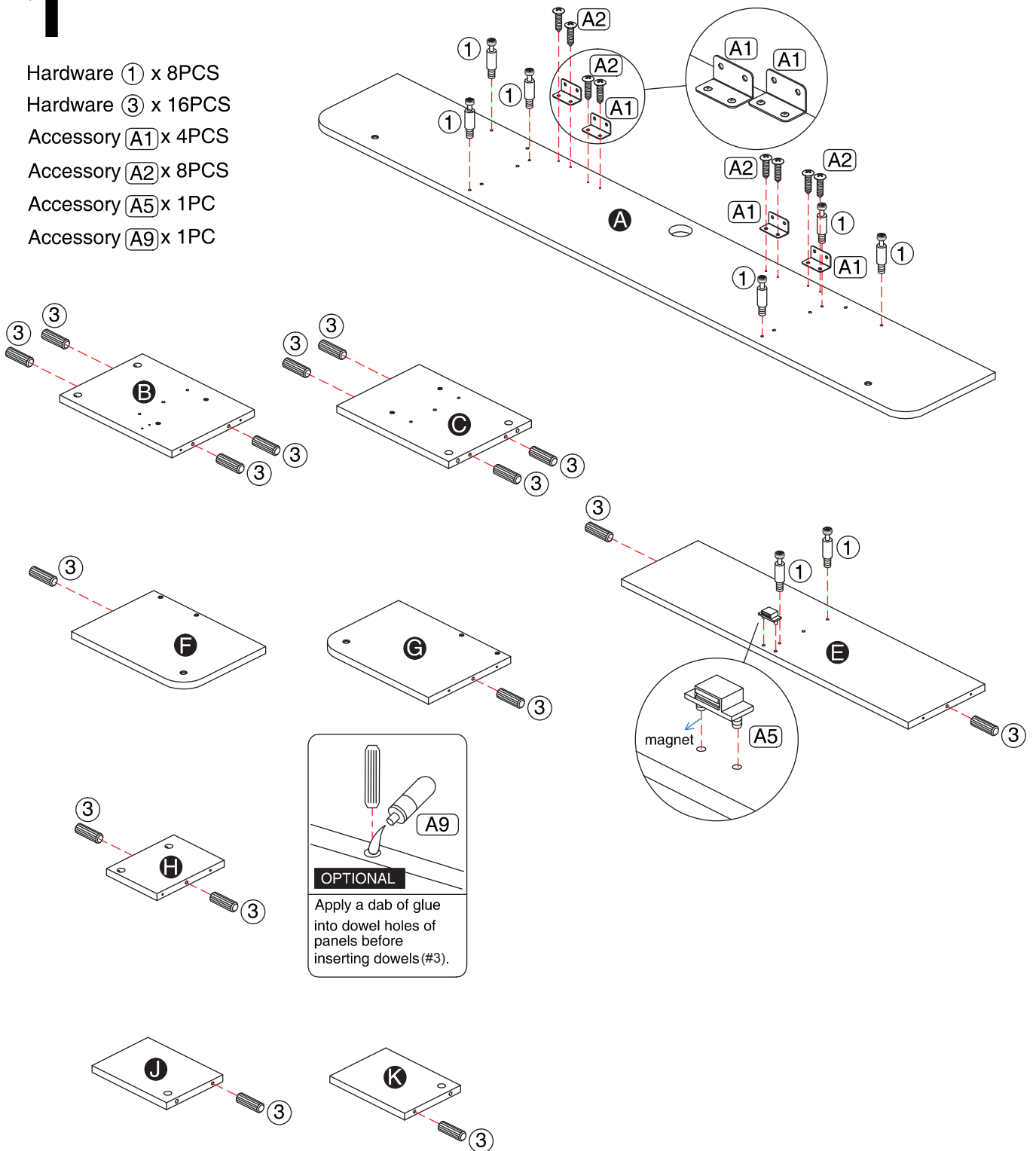
Hardware ③ x 16PCS

Accessory A1 x 4PCS

Accessory A2 x 8PCS

Accessory A5 x 1PC

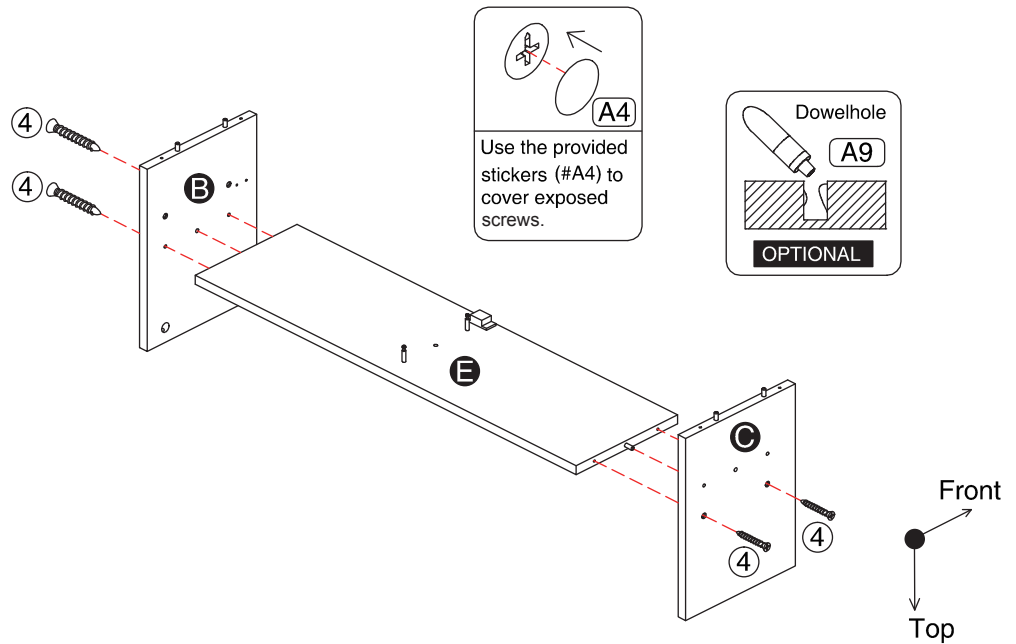
Accessory A9 x 1PC



ASSEMBLY INSTRUCTIONS

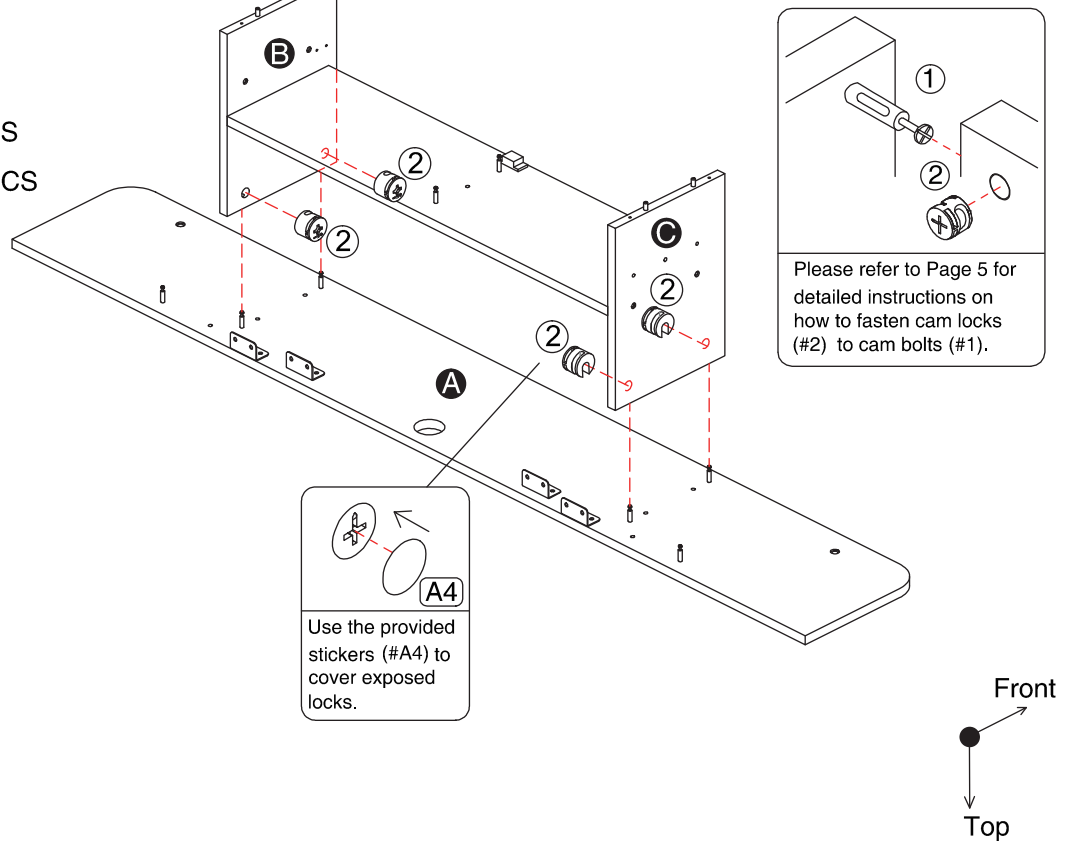
2

- Part **B** x1PC
- Part **C** x1PC
- Part **E** x1PC
- Hardware **4** x 4PCS
- Accessory **A4** x 4PCS



3

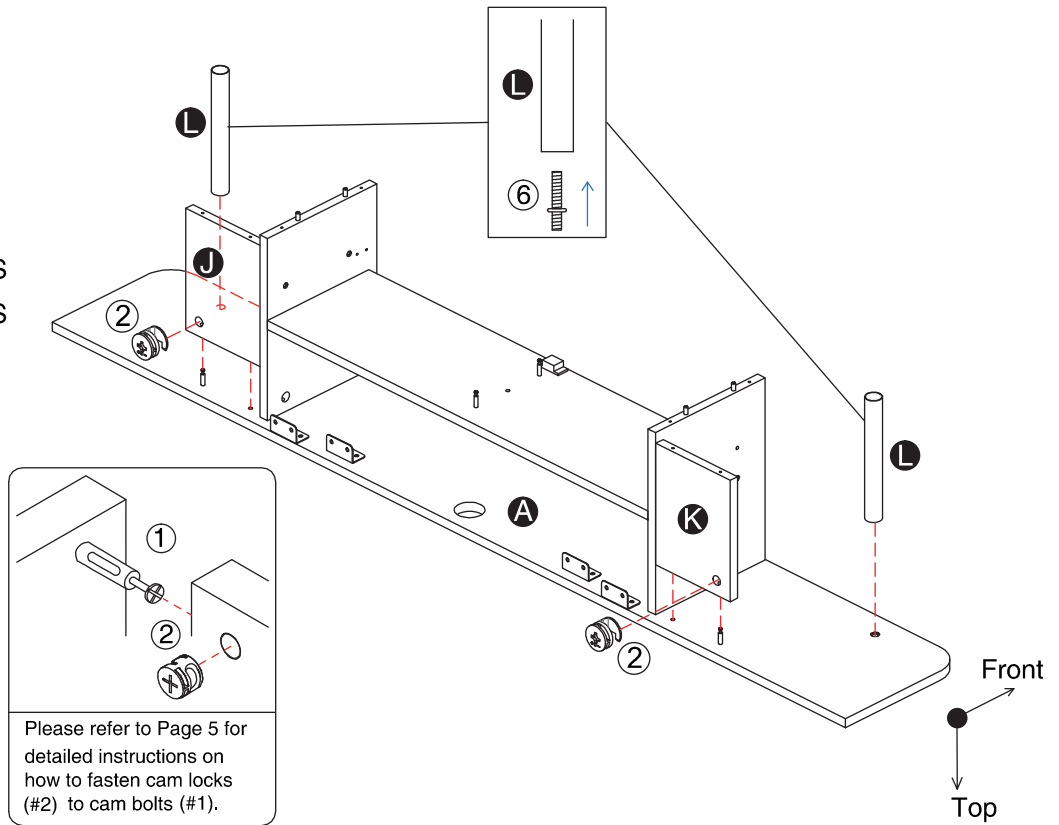
- Part **A** x1PC
- Hardware **2** x 4PCS
- Accessory **A4** x 4PCS



ASSEMBLY INSTRUCTIONS

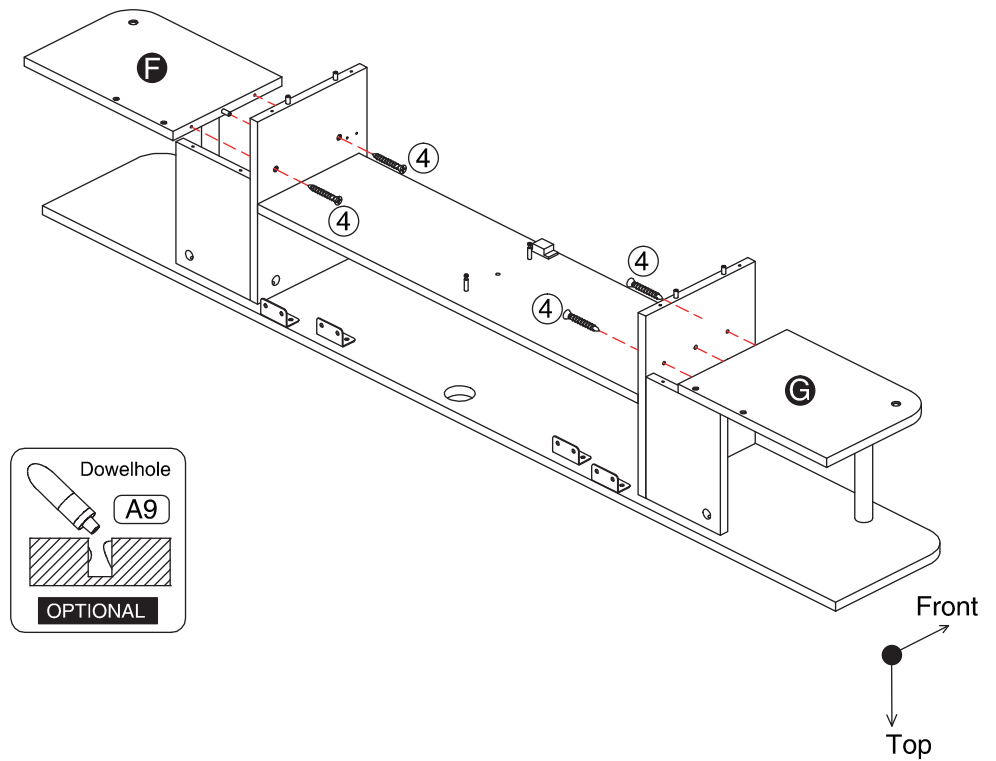
4

- Part **J** x1PC
- Part **K** x1PC
- Part **L** x2PCS
- Hardware **2** x 2PCS
- Hardware **6** x 2PCS



5

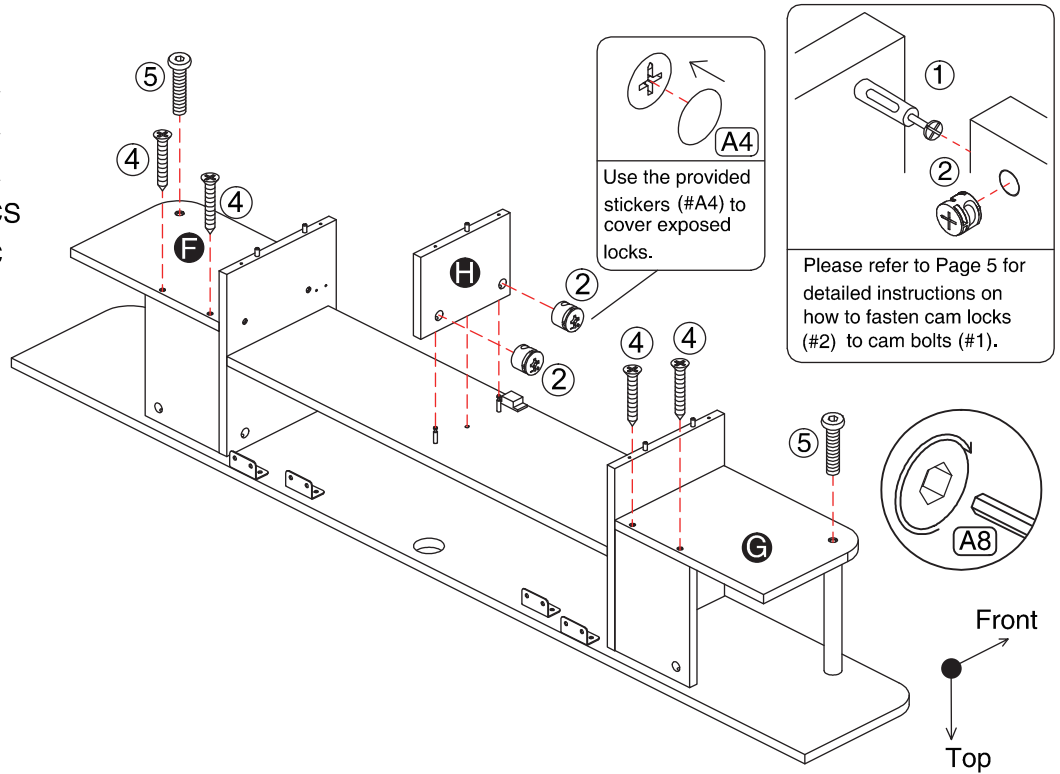
- Part **F** x1PC
- Part **G** x1PC
- Hardware **4** x 4PCS



ASSEMBLY INSTRUCTIONS

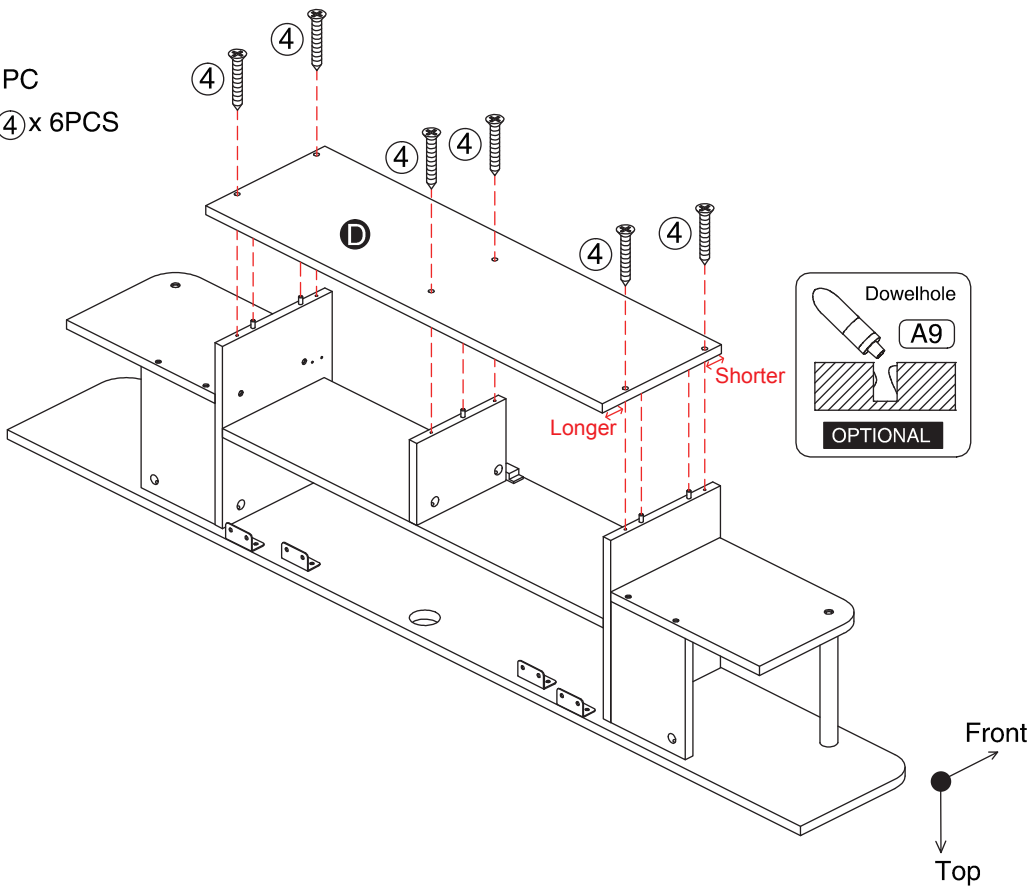
6

- Part **H** x1PC
- Hardware **2** x 2PCS
- Hardware **4** x 4PCS
- Hardware **5** x 2PCS
- Accessory **A4** x 2PCS
- Accessory **A8** x 1PC



7

- Part **D** x1PC
- Hardware **4** x 6PCS



ASSEMBLY INSTRUCTIONS

8

Part ① x1PC

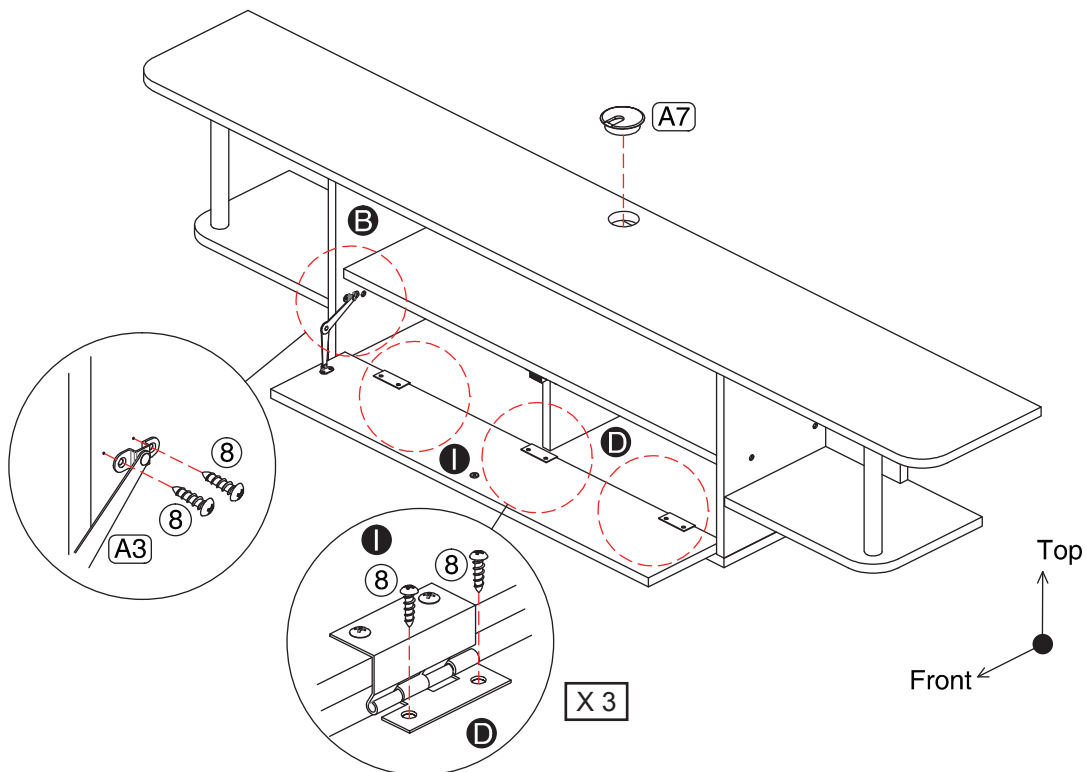
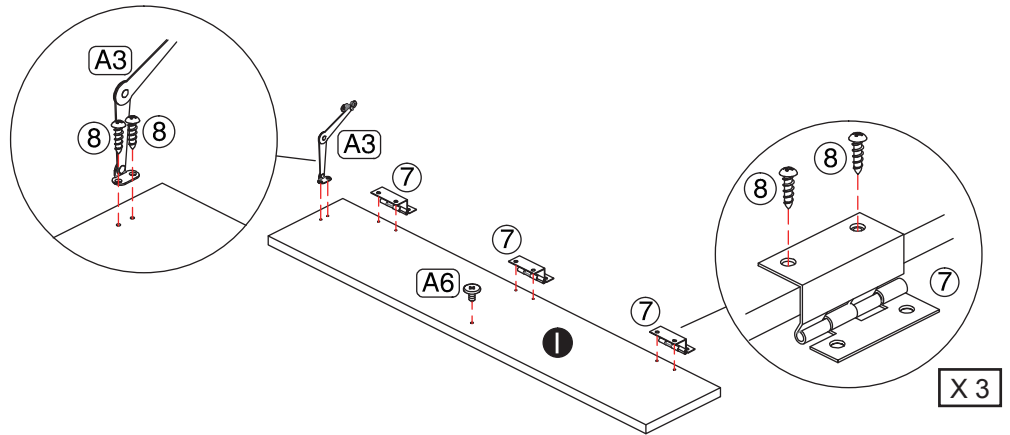
Hardware ⑦ x 3PCS

Hardware ⑧ x16PCS

Accessory A3 x 1PC

Accessory A6 x 1PC

Accessory A7 x 1PC

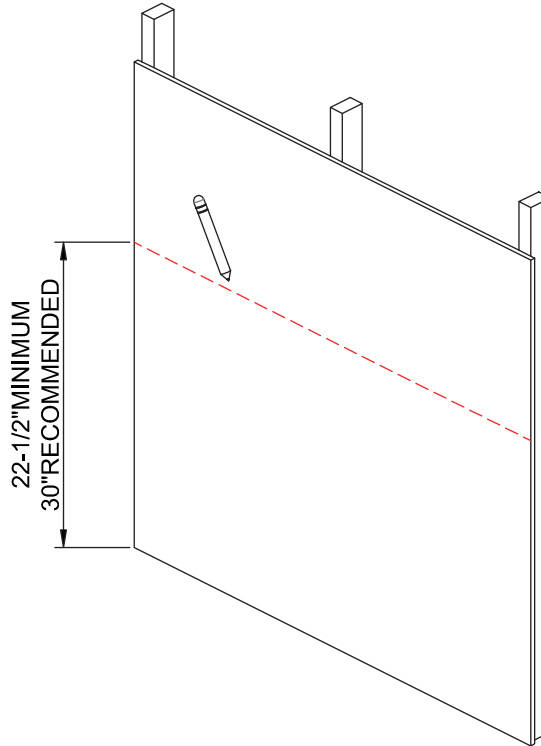


ASSEMBLY INSTRUCTIONS

To ensure wall mounted furniture is even, please use a leveler (not provided) as guidance.

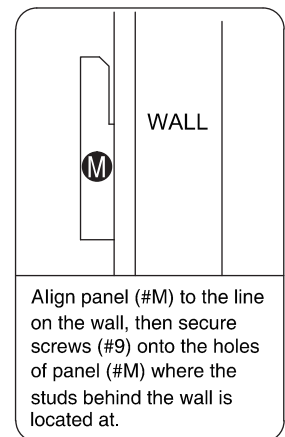
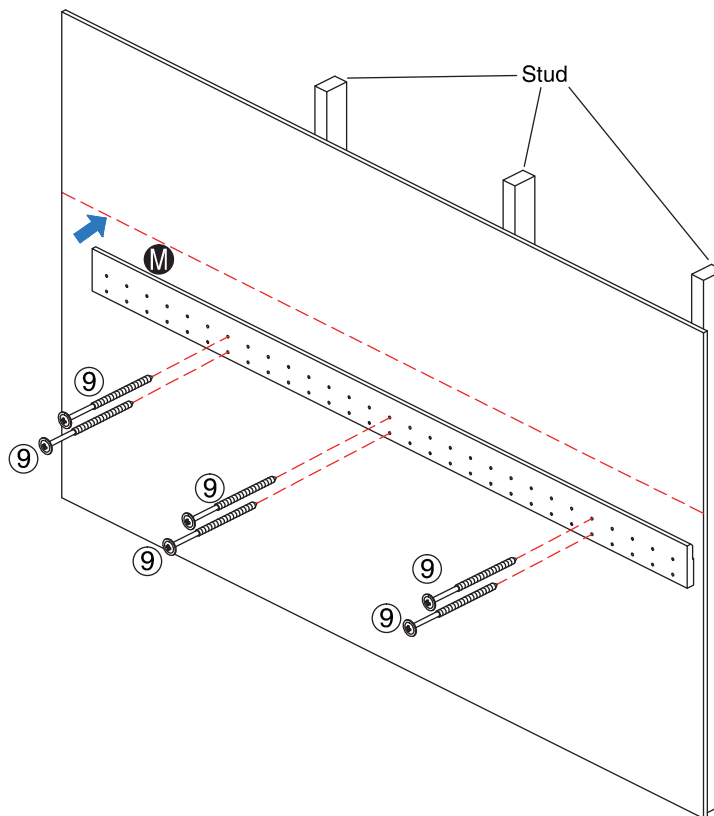
9

This is the recommended distance for the height of the product. Draw a line at the desired height of the product by using a pencil.



10

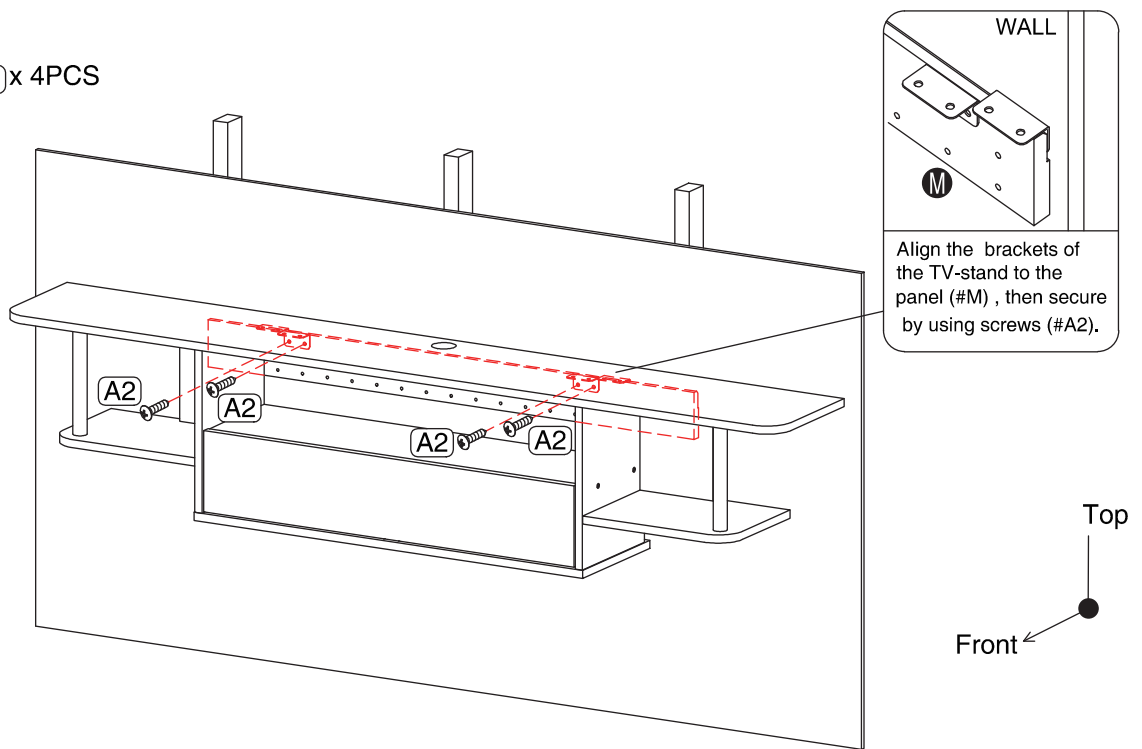
Part **M** x1PC
Hardware **9** x 6PCS



ASSEMBLY INSTRUCTIONS

11

Accessory (A2) x 4PCS

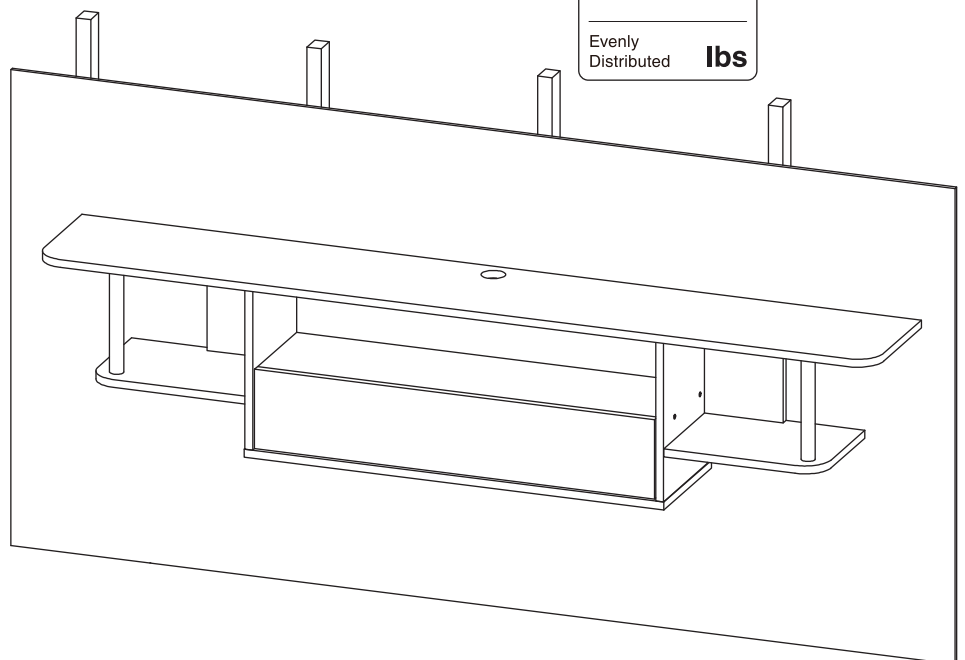
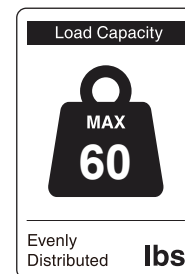


12

ASSEMBLY COMPLETED



Please ensure the furniture rests on an even and flat surface. If the product wobbles or feels loose, double-check all bolts and/or screws are properly tightened and secured.



✓ Keep this handy!

Please retain this instruction manual and any order-related information for future reference.

✓ Lift, don't drag!

To avoid damage to product please always LIFT the product when transporting or adjusting the placement.