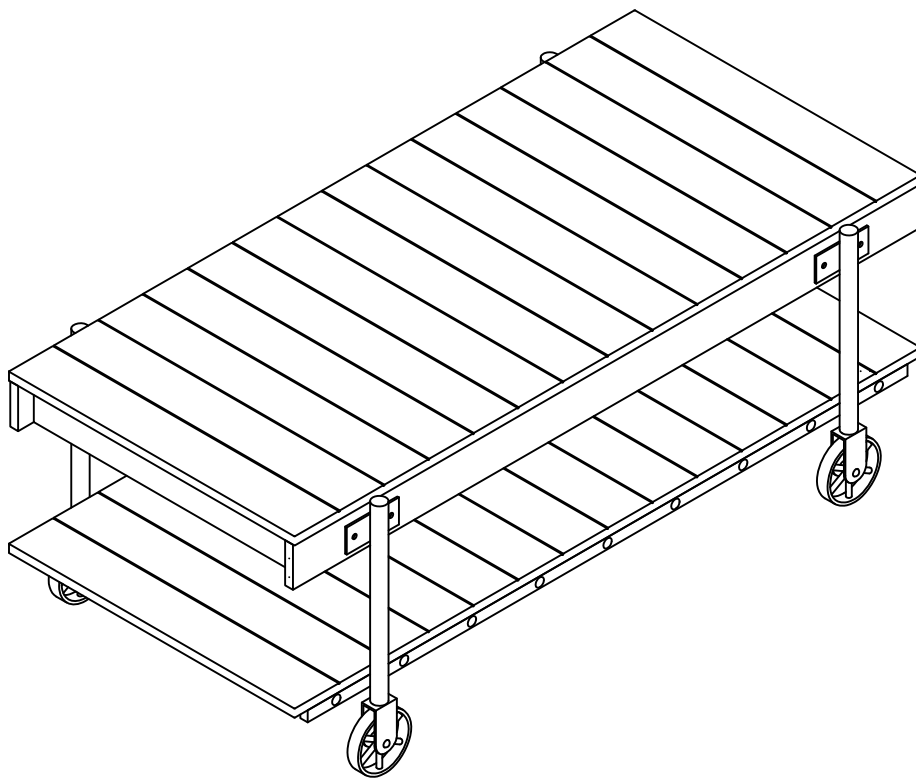


# ASSEMBLY INSTRUCTIONS



## TOOLS REQUIRED



Allen Wrench

(Included)



Phillips Screwdriver

(Not Included)



2 - People  
Recommended

## ASSEMBLY RATING



EASY —————> DIFFICULT

The Assembly Rating is a 5-point system showing the level of effort needed to assemble a specific product.



## **CHECK BEFORE STARTING**

### **Are you missing anything?**

Double-check all parts, hardware and accessories listed are all accounted for.

### **Check out our Quick Tips!**

We recommend reviewing the pre-assembly handouts. Even experts need a refresher now and then!

### **Should we send any replacements?**

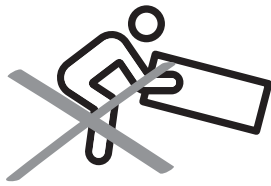
Are there any irregularities or flaws in the parts? We can send replacements!

### **Prep Time!**

Please review the assembly instructions and all diagrams prior to assembling.

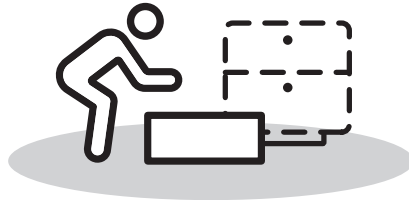
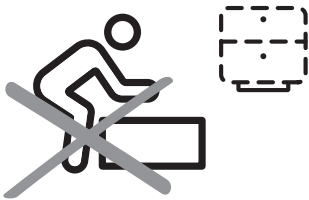
# PRE ASSEMBLY INTRODUCTION

We understand building ready-to-assemble furniture can be a challenging experience for some. To help avoid confusion, we have provided some helpful tips that may speed up the process.



## Teamwork

ALWAYS have at least two people to help with transporting and assembling the product to avoid potential injury and/or damage.



## Suitable Location

Assembling near the area of the intended location is highly recommended.



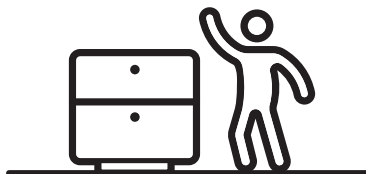
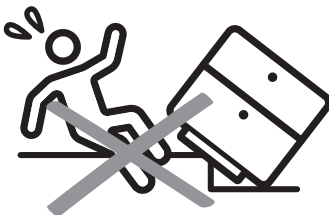
## Sufficient Space

Make sure you have enough space to move around during the assembly.



## Avoid Scratches

Use cardboard, blankets or a carpeted area while assembling furniture to prevent to prevent scratches and damages.



## Flat Surface

Make sure the furniture rests on a flat and level surface with each leg evenly touching the floor.

# ASSEMBLY AND CARE ADVICE



**FAILURE TO FOLLOW THE GUIDELINES BELOW MAY RESULT IN INJURY AND/OR PROPERTY DAMAGE.**



Position each part correctly and insert screws or bolts into their respective holes.



Turn clockwise to tighten and only tighten when step is completed or when instructed to do so.



Use the appropriate hand tools or power tools for assembly. Select steps, such as tightening screws and/or bolts, may require hand tools to avoid causing damage during assembly.



Save the instructions and store any supplied tools for later maintenance.



After two weeks, check and tighten any loose hardware and repeat again every six months thereafter.

**IT IS THE USER'S RESPONSIBILITY TO MAINTAIN THE FURNITURE. THE HARDWARE MAY LOOSEN OVER TIME AND MAY CAUSE THE FURNITURE TO BE WOBBLY AND UNABLE TO SUPPORT ITS INTENDED WEIGHT CAPACITY. THIS MAY LEAD TO COLLAPSE AND MAY CAUSE SERIOUS INJURY.**

# CAM LOCK FASTENER ASSEMBLY INSTRUCTIONS

## Note :

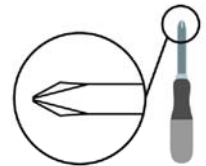
Every cam lock bolt must have a cam lock connector in order to fasten the parts together.



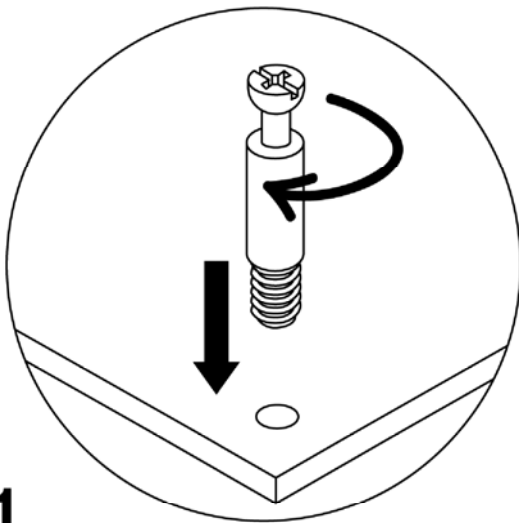
cam bolt



cam lock

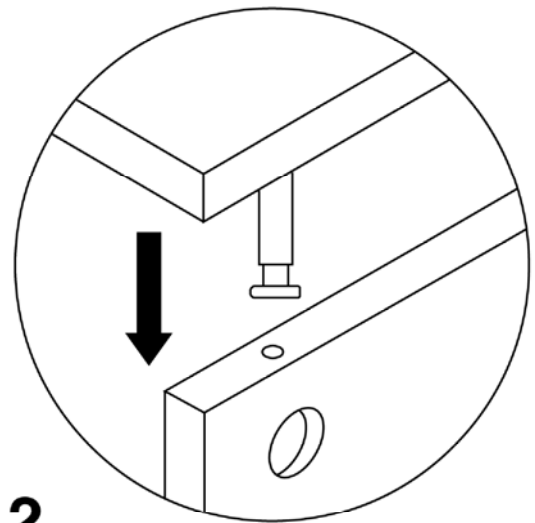


screwdriver



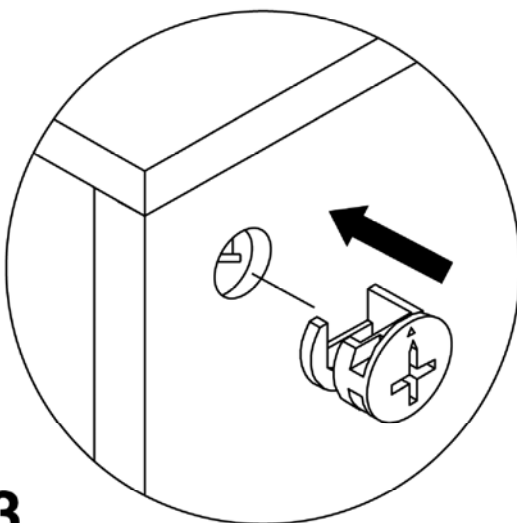
**1**

Screw the cam bolt into panel.



**2**

Insert the cam bolt into the bolt hole of joint panel.



**3**

Align the cam lock with its side opening (or arrow) pointing to cam bolt.



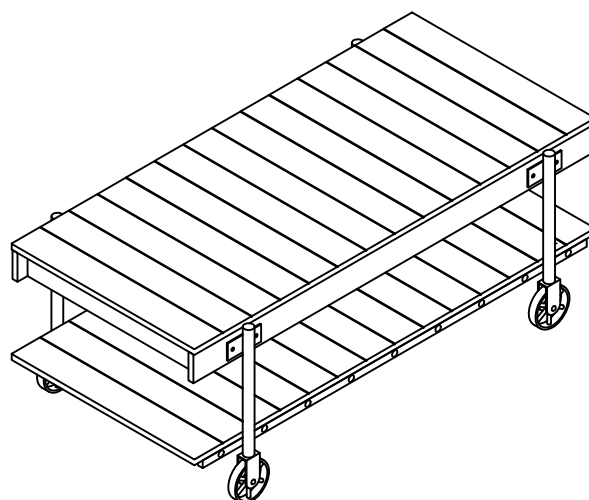
**4**

Turn the cam lock clockwise gently until it will not turn any more.

# COFFEE TABLE

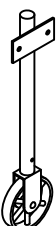


- Please keep instructions for future reference.
- Check the quantity and irregularity of parts and hardware before you start.



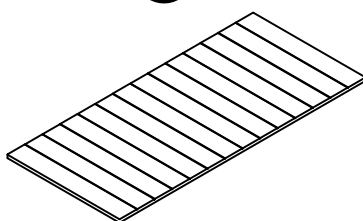
## PARTS

#1 4pcs



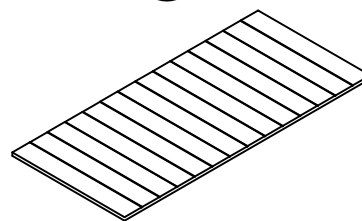
Leg

#2 1pc



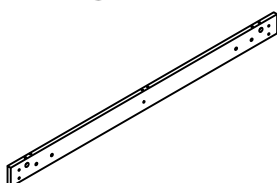
Top Board

#3 1pc



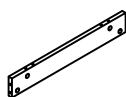
Bottom Board

#4 2pcs



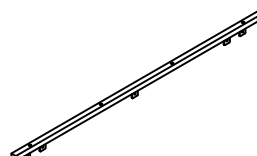
Long Board

#5 2pcs



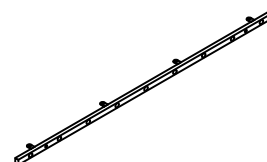
Side Board

#6 2pcs



Upper Brace

#7 2pcs



Lower Brace

## HARDWARE

#A 10pcs



Bolt  $\phi 1/4$ "x1/2"

#B 12pcs



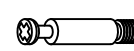
Bolt  $\phi 1/4$ "x1"

#C 8pcs



Bolt  $\phi 1/4$ "x1-1/4"

#D 14pcs



Cam bolt

#E 14pcs



Wooden tenon

#F 14pcs



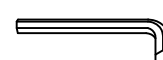
Cam Lock

#G 30pcs



Flat Washer  $\phi 16$ MM

#H 1pc



Allen Wrench

# ASSEMBLY INSTRUCTIONS

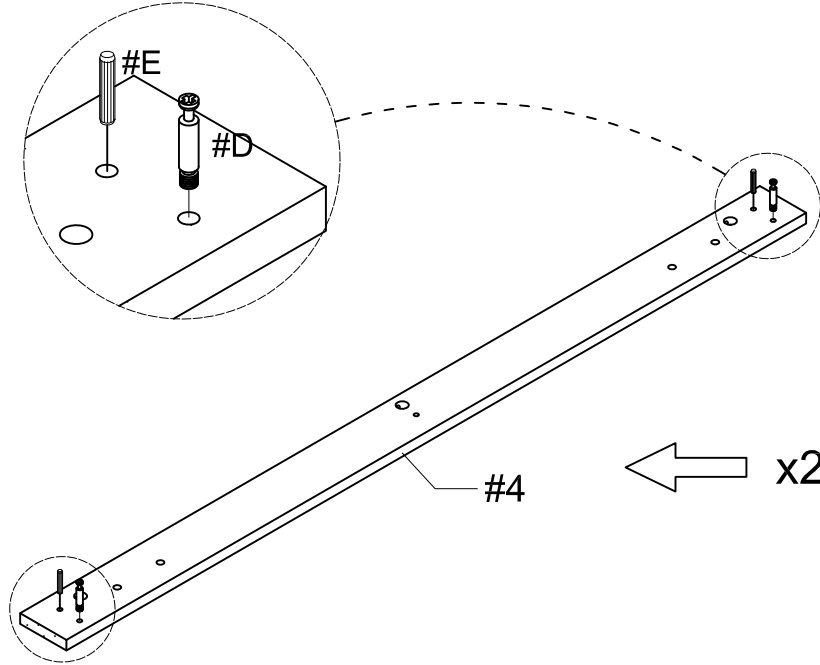
1

Align the cam bolts (#D), wooden tenon (#E) into long board (#4).

Part #4 x2pcs

Hardware #D x4pcs

Hardware #E x4pcs

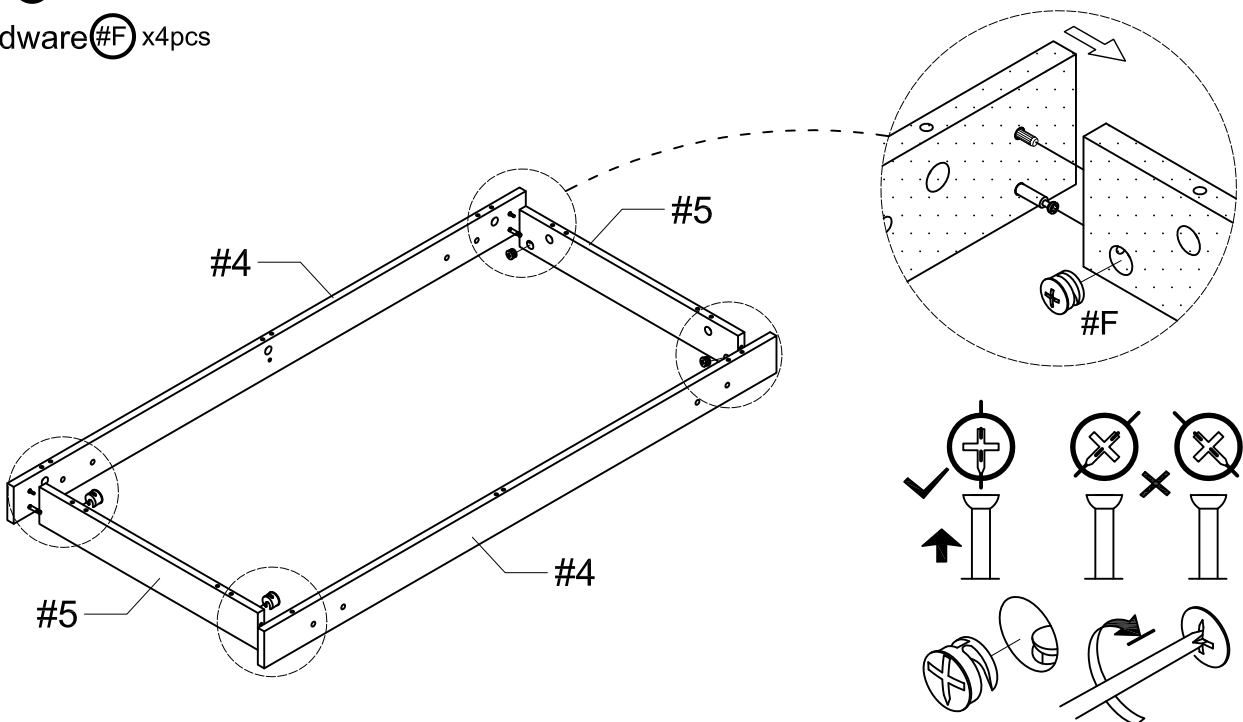


2

Align the long board (#4) to side board (#5), then secure by using cam locks (#F)(Refer page 5).

Part #5 x2pcs

Hardware #F x4pcs



# ASSEMBLY INSTRUCTIONS

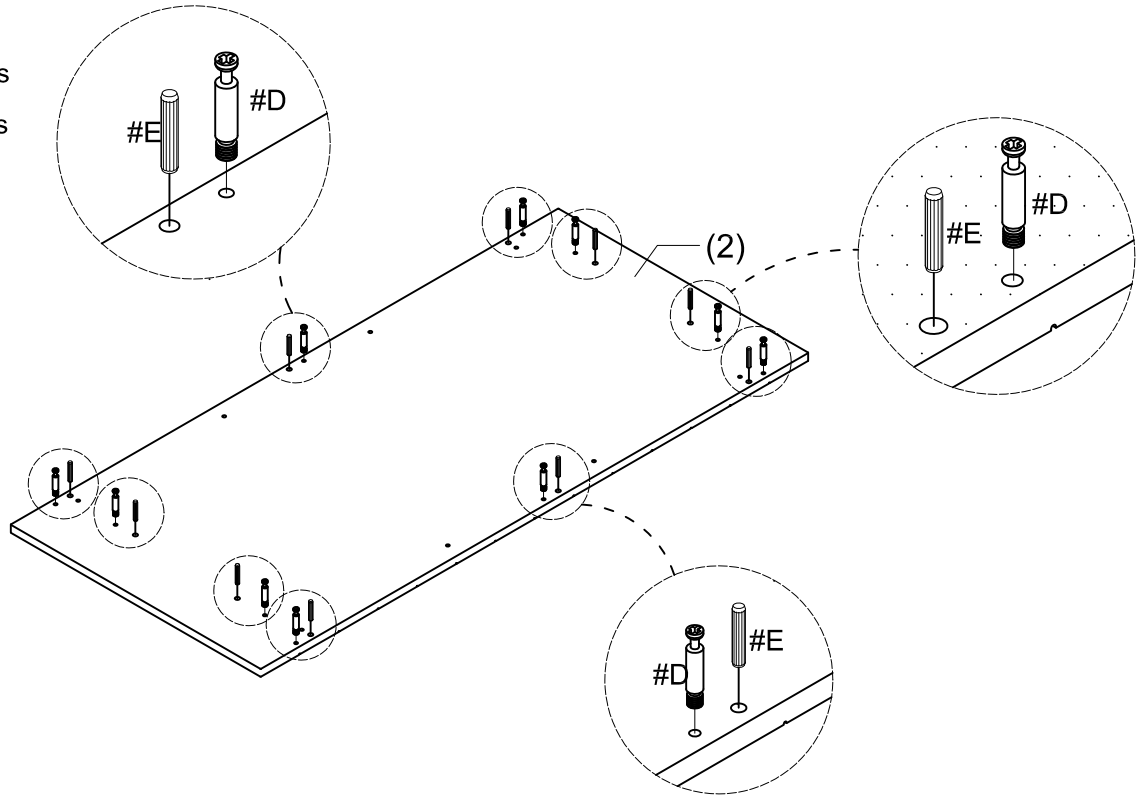
## 3

Align the cam bolts (#D), wooden tenon (#E) into back of the top board (#2).

Part #2 x1pc

Hardware #D x10pcs

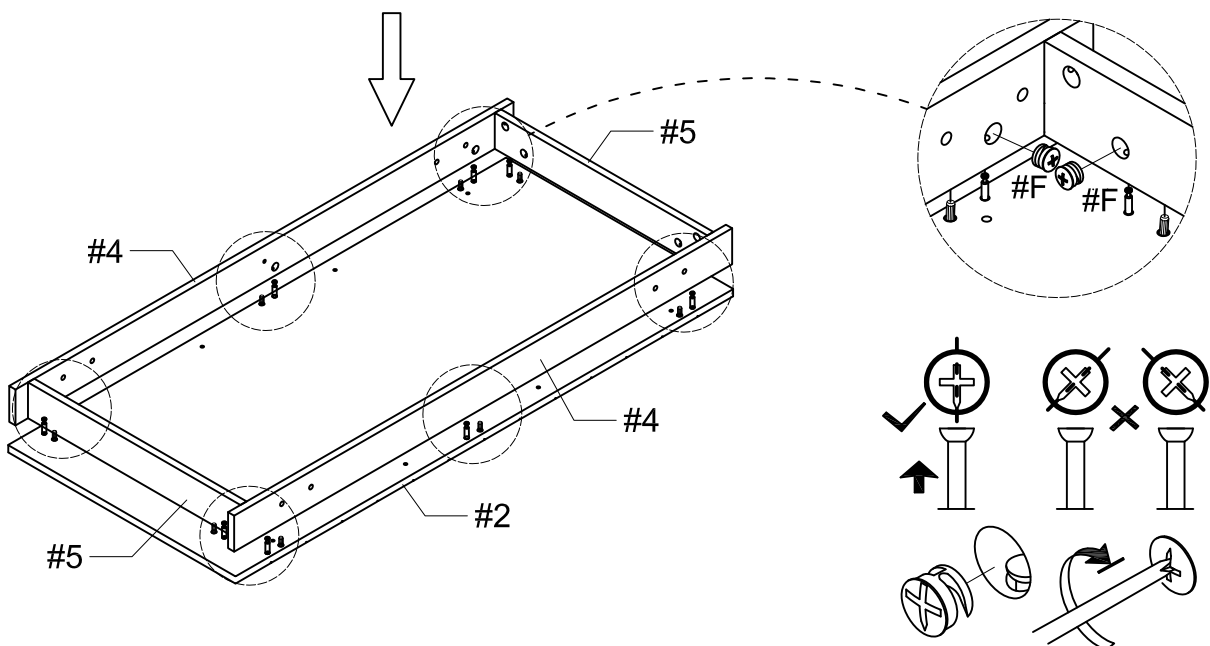
Hardware #E x10pcs



## 4

Align the top board (#2) to long board (#4) and side board (#5), then secure by using cam locks (#F) (Refer page 5).

Hardware #F x10pcs



# ASSEMBLY INSTRUCTIONS

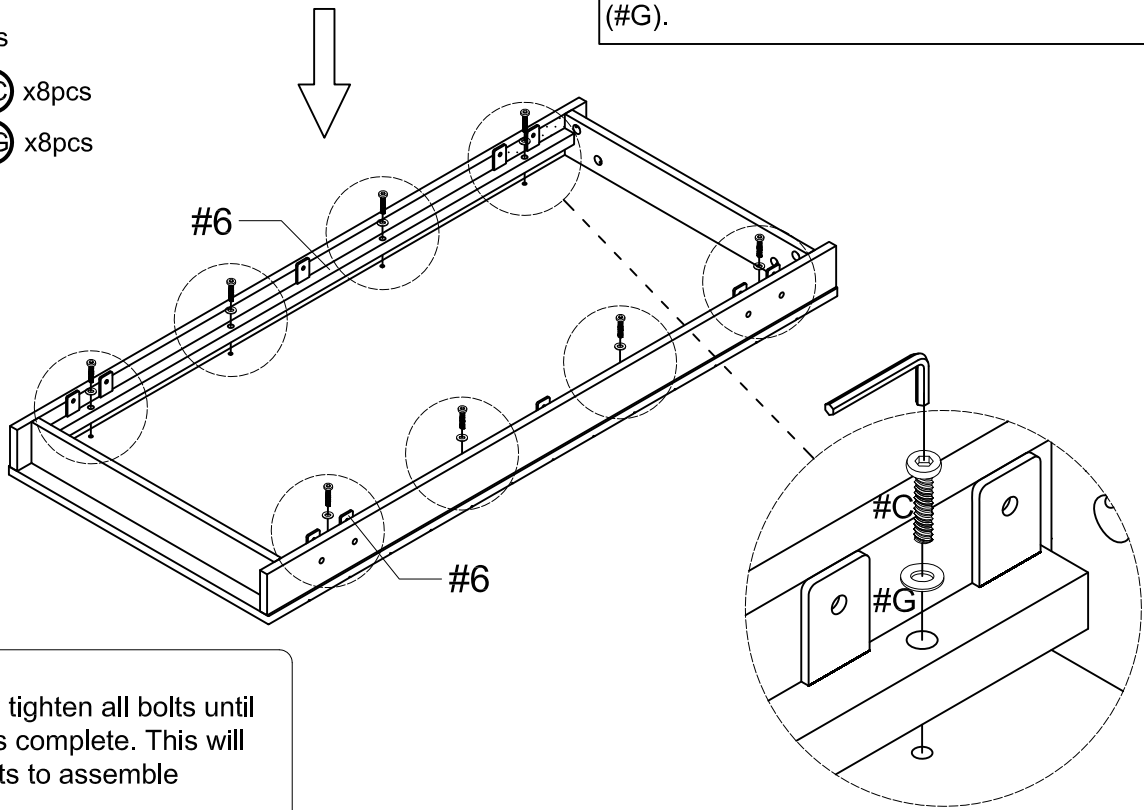
## 5

Part #6 x2pcs

Hardware #C x8pcs

Hardware #G x8pcs

Align upper brace (#6) to top board (#2), then secure by using bolts (#C) and flat washers (#G).



Note:

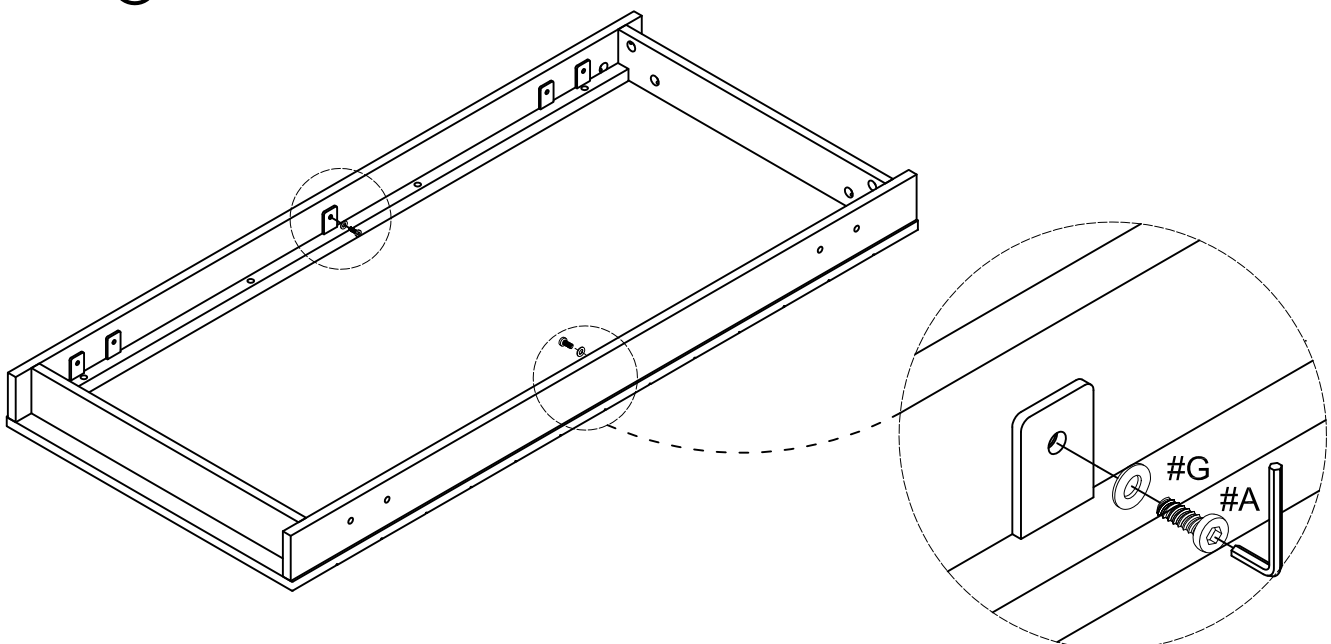
Do not fully tighten all bolts until assembly is complete. This will help all parts to assemble properly.

## 6

Hardware #A x2pcs

Hardware #G x2pcs

Align the upper brace (#6) to long board (#4), then secure by using bolts (#A) and flat washers (#G).



# ASSEMBLY INSTRUCTIONS

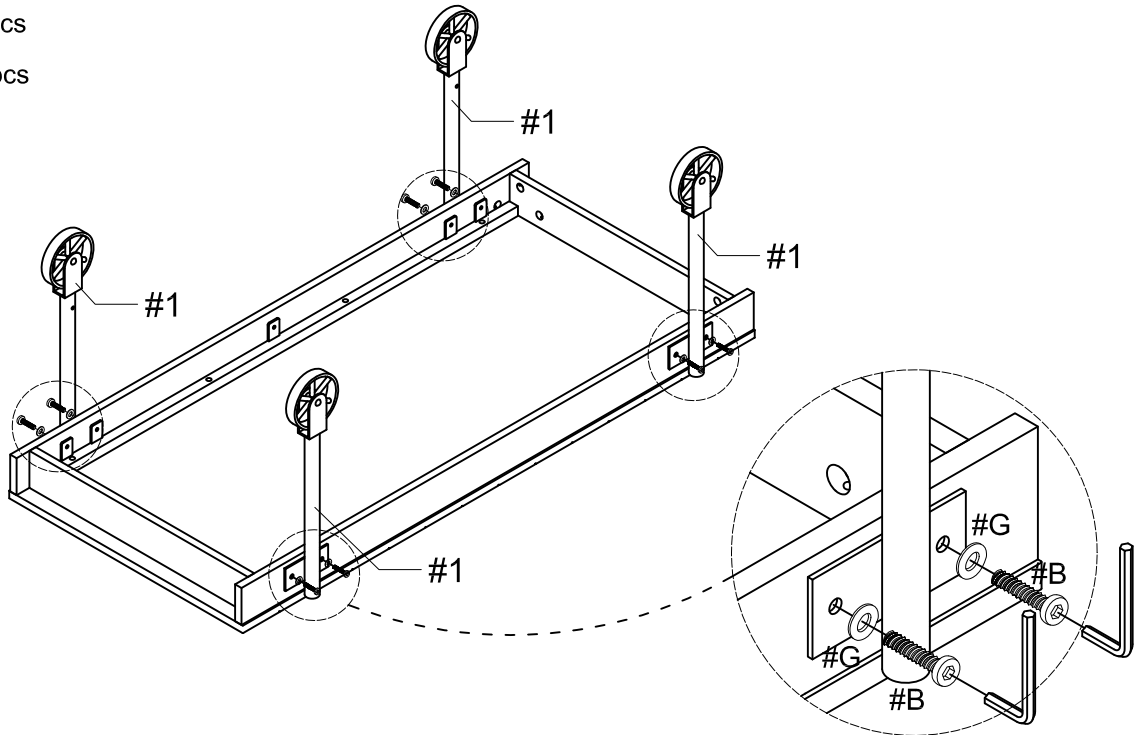
## 7

Part #1 x4pcs

Hardware #B x8pcs

Hardware #G x8pcs

Align the Leg (#1) to Long Board (#4) and Upper Brace (#6), then secure by using Bolt (#B) and Flat Washers (#G)



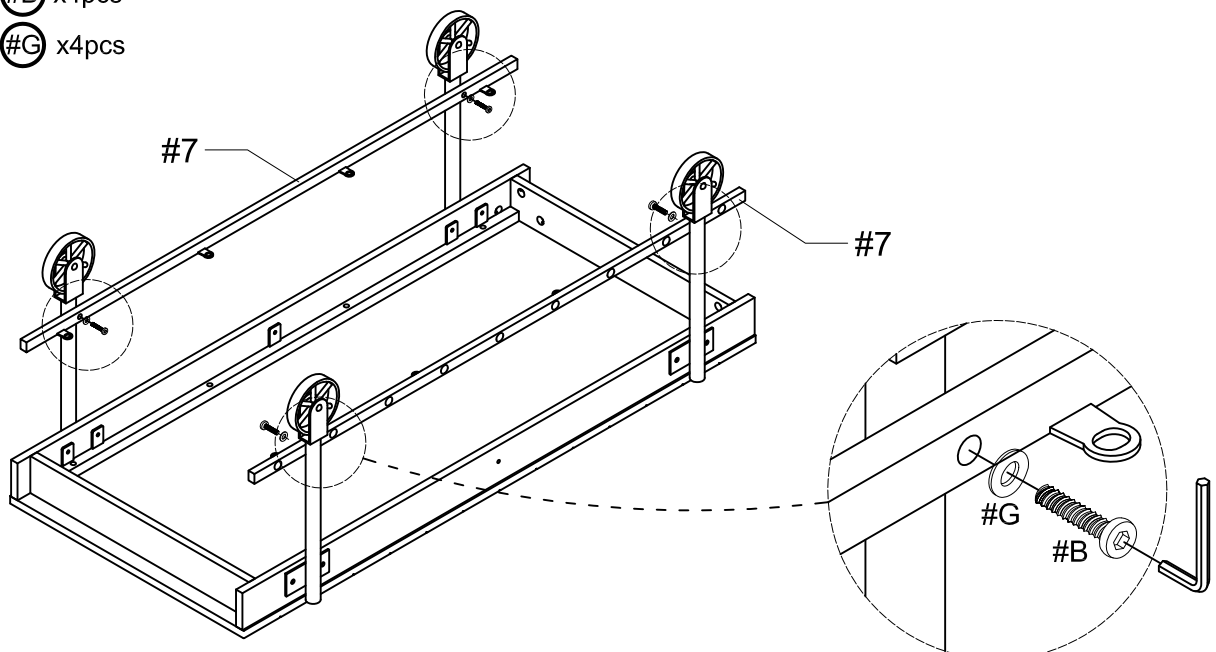
## 8

Part #7 x2pcs

Hardware #B x4pcs

Hardware #G x4pcs

Align the lower brace (#7) to legs (#1), then secure by using bolts (#B) and flat washers (#G).



# ASSEMBLY INSTRUCTIONS

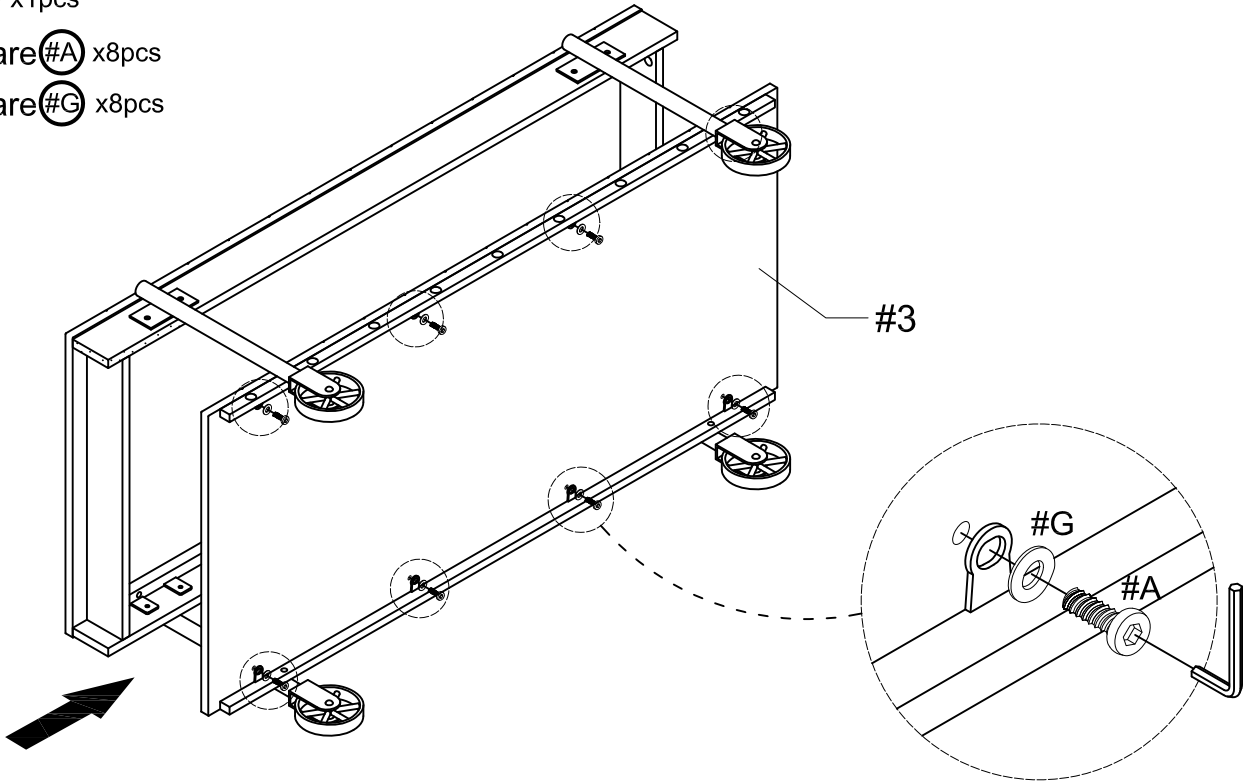
## 9

Part #3 x1pcs

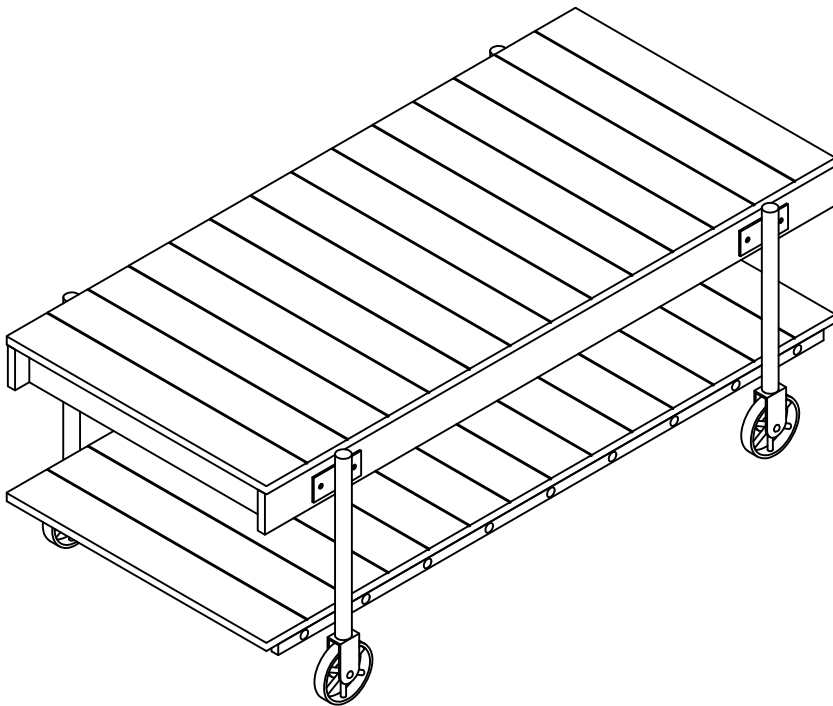
Hardware #A x8pcs

Hardware #G x8pcs

Align the bottom board (#3) to lower brace (#7), then secure by using bolts (#A) and flat washers (#G).



## 10



## ASSEMBLY COMPLETED



Please ensure the furniture rests on an even and flat surface. If the product wobbles or feels loose, double-check all bolts and/or screws are properly tightened and secured.

### ✓ Keep this handy!

Please retain this instruction manual and any order-related information for future reference.

### ✓ Lift, don't drag!

To avoid damage to product please always LIFT the product when transporting or adjusting the placement.