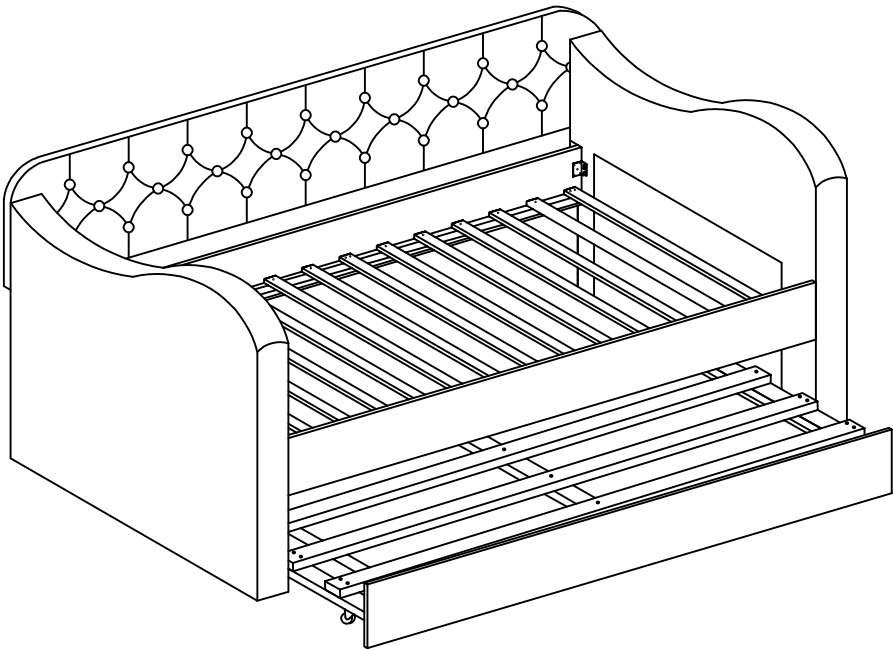


ASSEMBLY INSTRUCTIONS

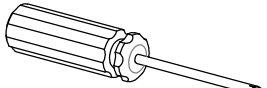


TOOLS REQUIRED



Allen Wrench

(Included)



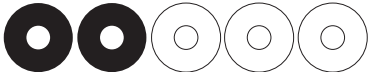
Phillips Screwdriver

(Not Included)



2 - People Recommended

ASSEMBLY RATING



EASY —————> DIFFICULT

The Assembly Rating is a 5-point system showing the level of effort needed to assemble a specific product.



CHECK BEFORE STARTING

Are you missing anything?

Double-check all parts, hardware and accessories listed are all accounted for.

Check out our Quick Tips!

We recommend reviewing the pre-assembly handouts. Even experts need a refresher now and then!

Should we send any replacements?

Are there any irregularities or flaws in the parts? We can send replacements!

Prep Time!

Please review the assembly instructions and all diagrams prior to assembling.

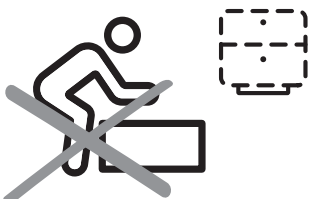
PRE ASSEMBLY INTRODUCTION

We understand building ready-to-assemble furniture can be a challenging experience for some. To help avoid confusion, we have provided some helpful tips that may speed up the process.



Teamwork

ALWAYS have at least two people to help with transporting and assembling the product to avoid potential injury and/or damage.



Suitable Location

Assembling near the area of the intended location is highly recommended.



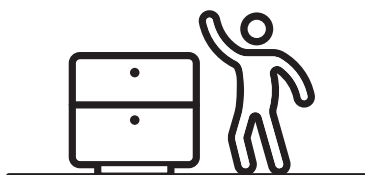
Sufficient Space

Make sure you have enough space to move around during the assembly.



Avoid Scratches

Use cardboard, blankets or a carpeted area while assembling furniture to prevent to prevent scratches and damages.



Flat Surface

Make sure the furniture rests on a flat and level surface with each leg evenly touching the floor.

ASSEMBLY AND CARE ADVICE



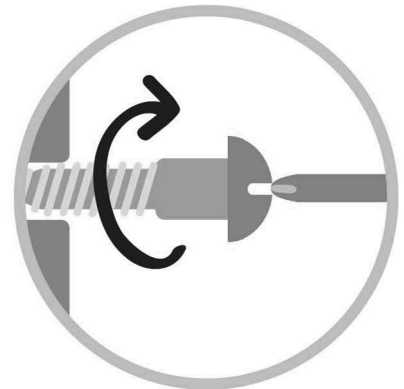
FAILURE TO FOLLOW THE GUIDELINES BELOW MAY RESULT IN INJURY AND/OR PROPERTY DAMAGE.



Position each part correctly and insert screws or bolts into their respective holes.



Use the appropriate hand tools or power tools for assembly. Select steps, such as tightening screws and/or bolts, may require hand tools to avoid causing damage during assembly.



Turn clockwise to tighten and only tighten when step is completed or when instructed to do so.



Save the instructions and store any supplied tools for later maintenance.



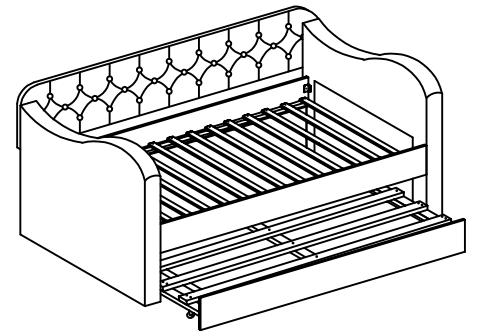
After two weeks, check and tighten any loose hardware and repeat again every six months thereafter.

IT IS THE USER'S RESPONSIBILITY TO MAINTAIN THE FURNITURE. THE HARDWARE MAY LOOSEN OVER TIME AND MAY CAUSE THE FURNITURE TO BE WOBBLY AND UNABLE TO SUPPORT ITS INTENDED WEIGHT CAPACITY. THIS MAY LEAD TO COLLAPSE AND MAY CAUSE SERIOUS INJURY.

DAYBED

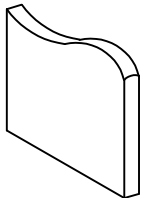


- Please keep instructions for future reference.
- Check the quantity and irregularity of parts and hardware before you start.



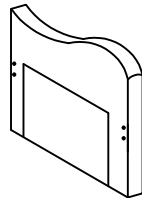
PARTS

#1 x 1pc



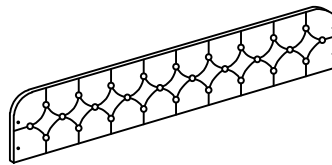
Arm

#2 x 1pc



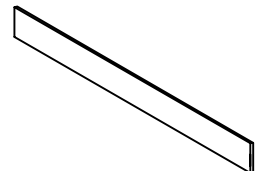
Arm

#3 x 1pc



Back Rest

#4 x 1pc



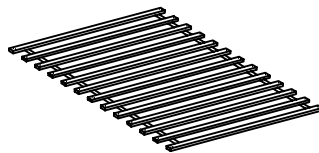
Front Side Rail

#5 x 1pc



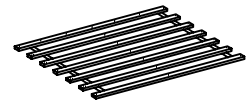
Back Side Rail

#6 x 13pcs



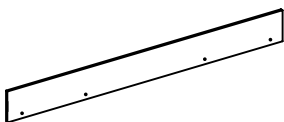
Bed Slat
997 x 45 x 18mm

#7 x 7pcs



Bed Slat
1898 x 45 x 18mm

#8 x 1pc



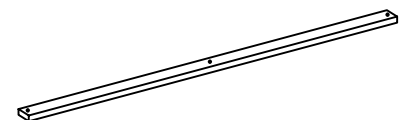
Trundle Front
Panel

#9 x 2pcs



Trundle Front
Panel Support Rail

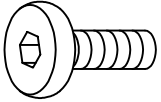
#10 x 3pcs



Center Slat
997 x 45 x 18mm

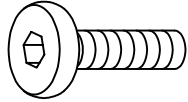
HARDWARE

#A x 8pcs



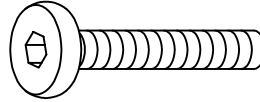
JCBB M8x20mm

#B x 17pcs



JCBC M6x35mm

#C x 4pcs



JCBC M6x50mm

#D x 1pc



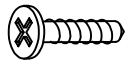
Allen Wrench
M4 x 65mm

#E x 1pc



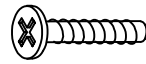
Allen Wrench
M5 x 70mm

#F x 24pcs



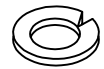
CSK Screw 16mm

#G x 52pcs



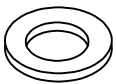
CSK Screw 32mm

#H x 21pcs



M6 Spring Washer

#I x 21pcs

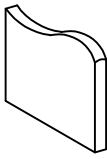
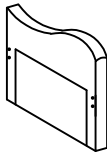
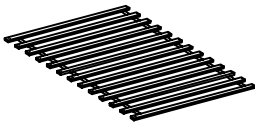
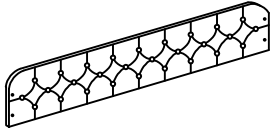


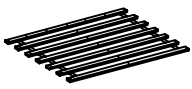


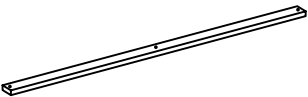
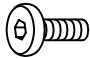
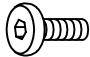
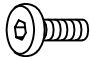


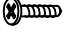
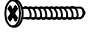





M6 Flat Washer

#J x 6pcs



Roller

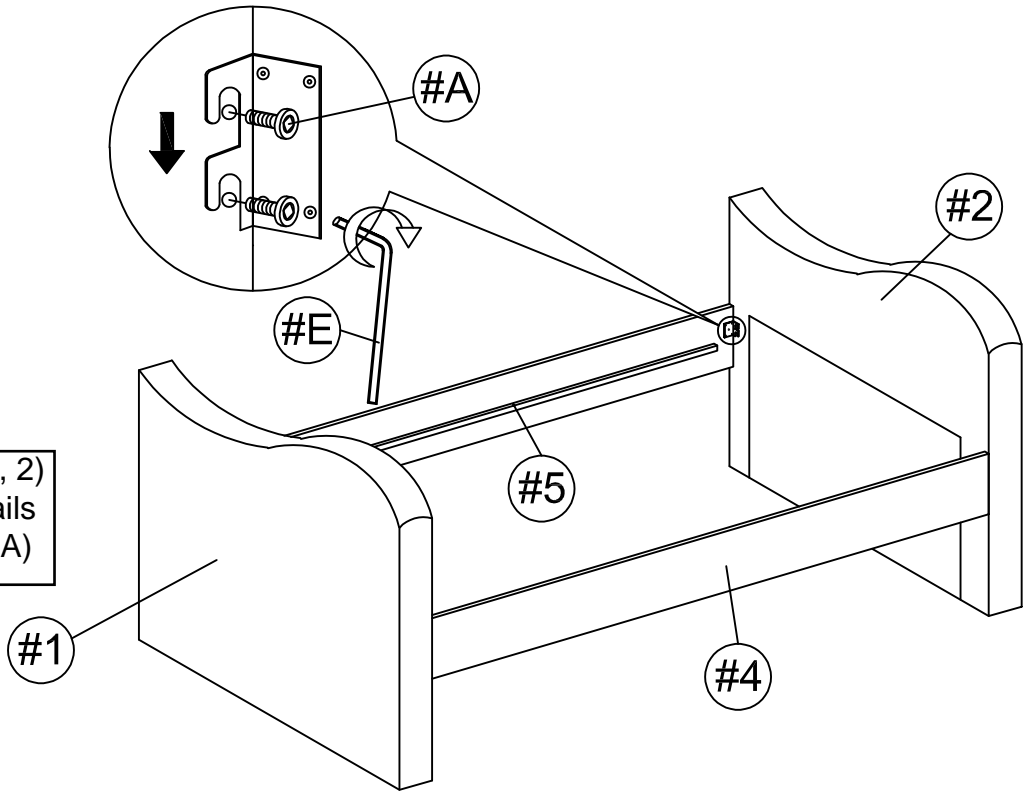
Carton	Designation	Part		Hardware
1	Arm	#1		
	Arm	#2		
	Bed Slat	#6		
2	Back Rest	#3		
	Front Side Rail	#4		
	Back Side Rail	#5		
	Bed Slat	#7		
	Trundle Front Panel	#8		
	Trundle Front Panel Support Rail	#9		
	Center Slat	#10		
				 #A x 8pcs  #B x 17pcs  #C x 4pcs  #D x 1pc  #E x 1pc  #F x 24pcs  #G x 52pcs  #H x 21pcs  #I x 21pcs  #J x 6pcs

ASSEMBLY INSTRUCTIONS

1

- Part #1 x1pc
- Part #2 x1pc
- Part #4 x1pc
- Part #5 x1pc
- Hardware #A x8pcs
- Hardware #E x1pc

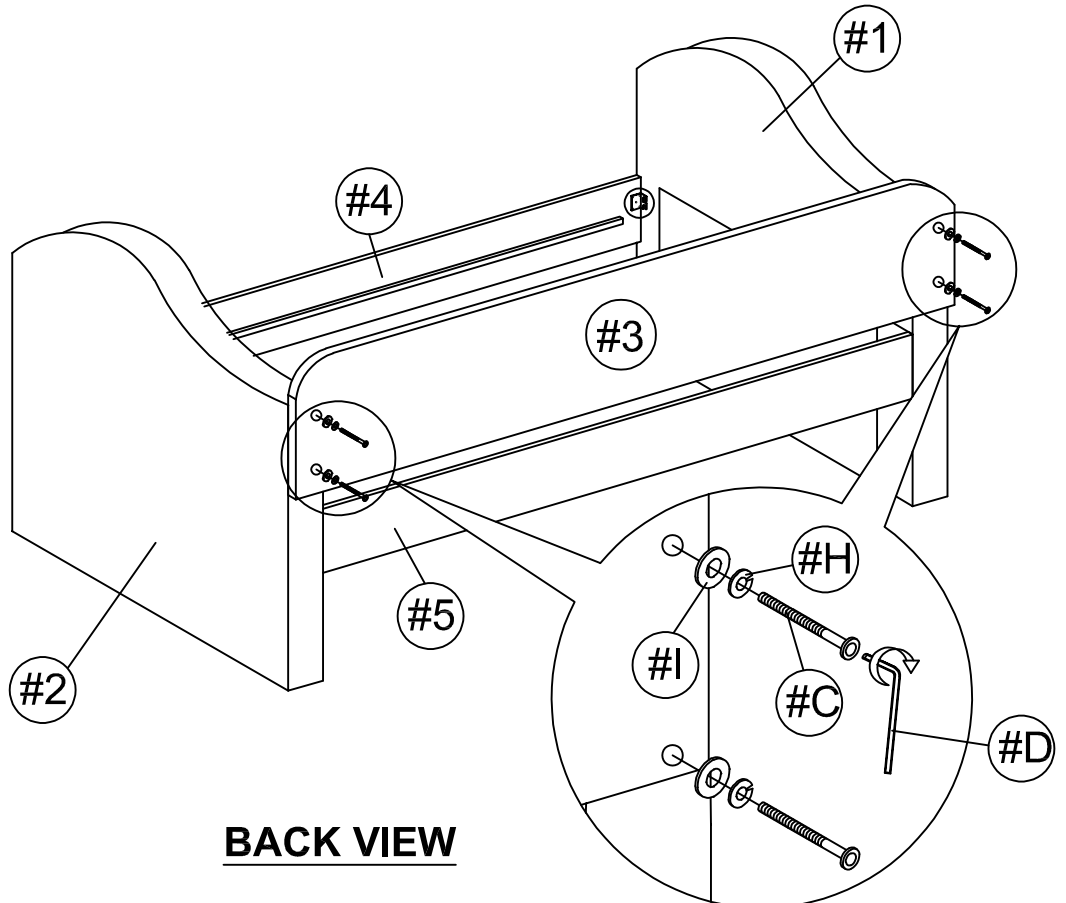
Align and attach Arms (#1, 2) to Front and Back Side Rails (#4, 5) using JCBB Bolt (#A)



2

- Part #3 x1pc
- Hardware #C x4pcs
- Hardware #D x1pc
- Hardware #H x4pcs
- Hardware #I x4pcs

Attach Backrest (#3) using JCBC Bolt (#C) with Washers (#H, I)

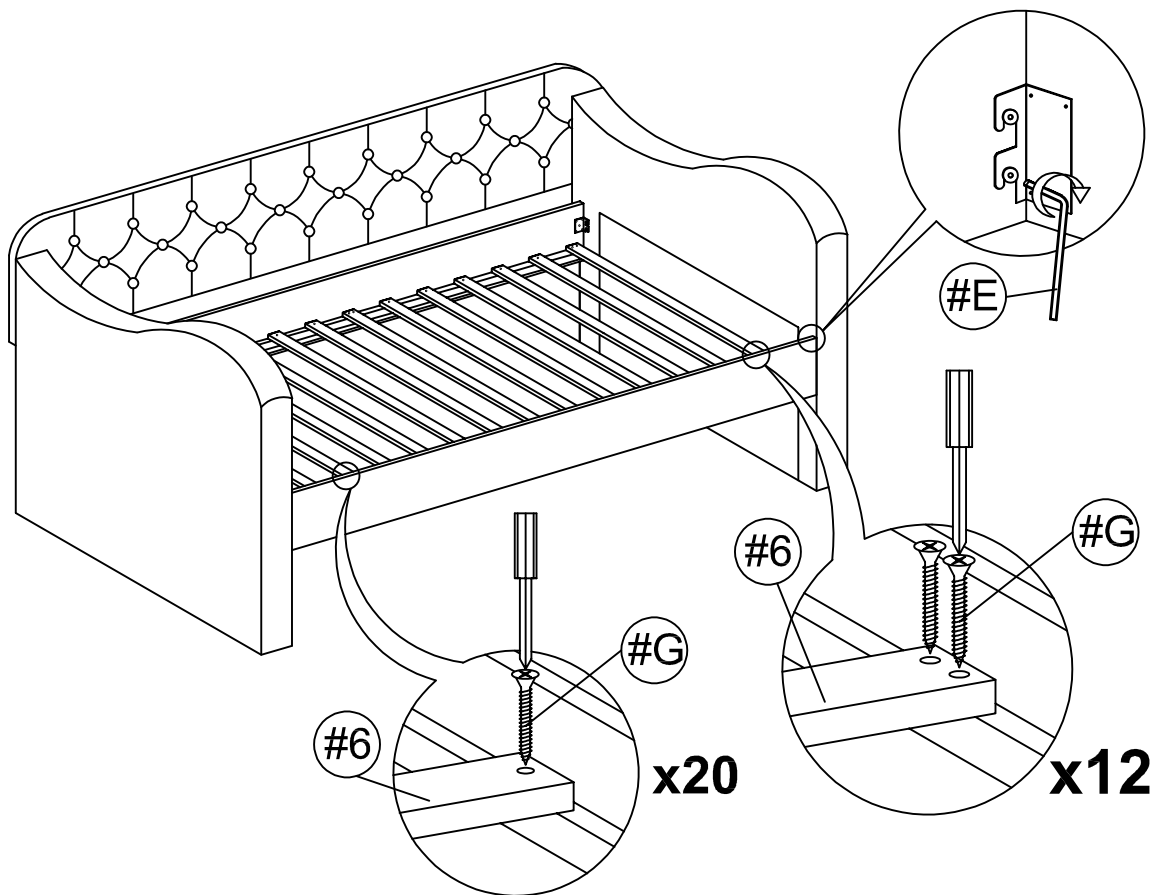


ASSEMBLY INSTRUCTIONS

3

- Part (#6) x1pc
- Hardware (#E) x1pc
- Hardware (#G) x32pcs

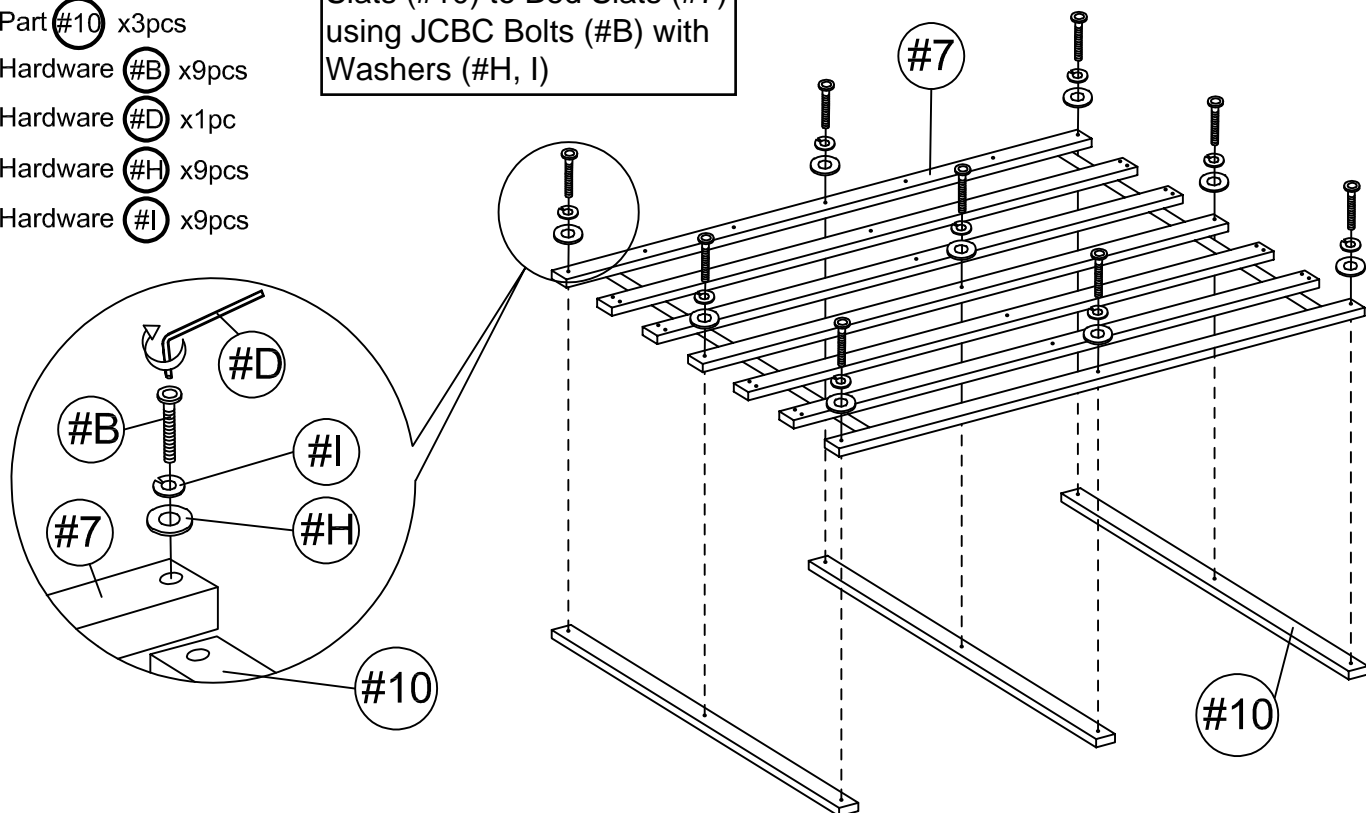
Attach Bed Slat (#6) using CSK Screw (#G)



4

- Part (#7) x1pc
- Part (#10) x3pcs
- Hardware (#B) x9pcs
- Hardware (#D) x1pc
- Hardware (#H) x9pcs
- Hardware (#I) x9pcs

Align and attach Center Slats (#10) to Bed Slats (#7) using JCBC Bolts (#B) with Washers (#H, I)

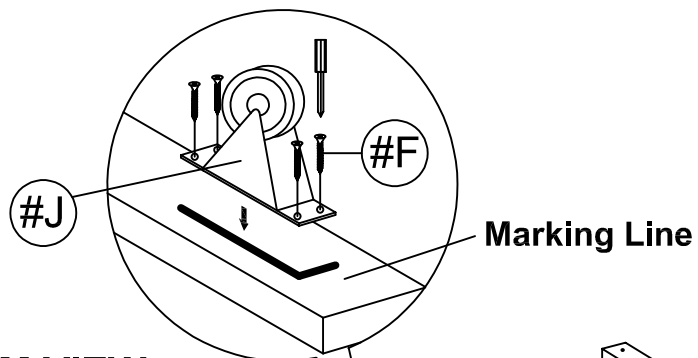


ASSEMBLY INSTRUCTIONS

5

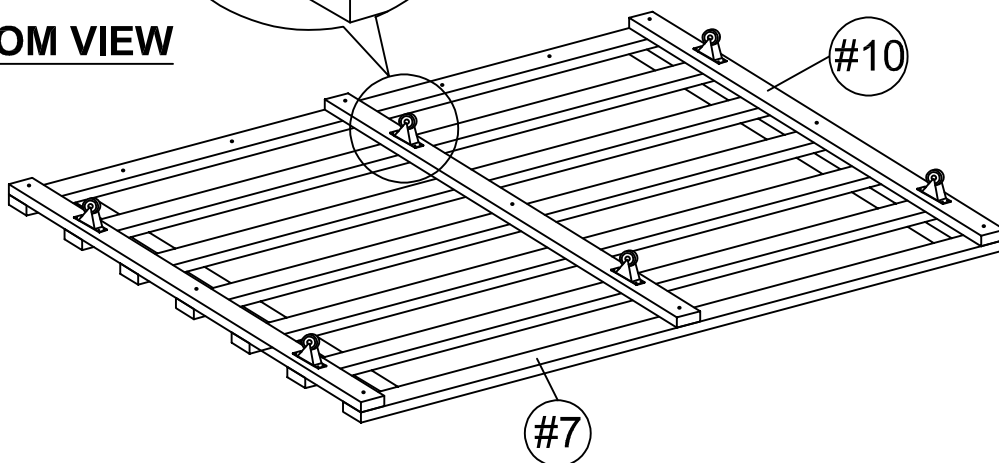
Hardware (#F) x24pcs

Hardware (#J) x6pcs



BOTTOM VIEW

Align and attach Roller (#J) to Center Slats (#10) using CSK Screw (#F)



6

Part (#8) x1pc

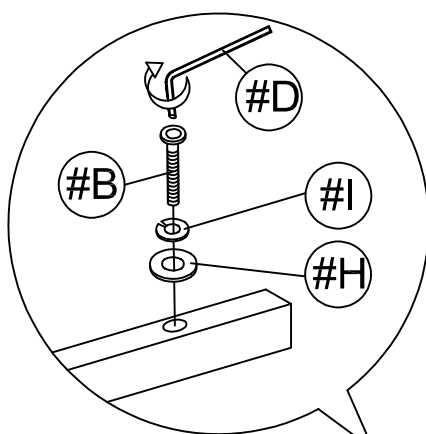
Part (#9) x2pcs

Hardware (#B) x4pcs

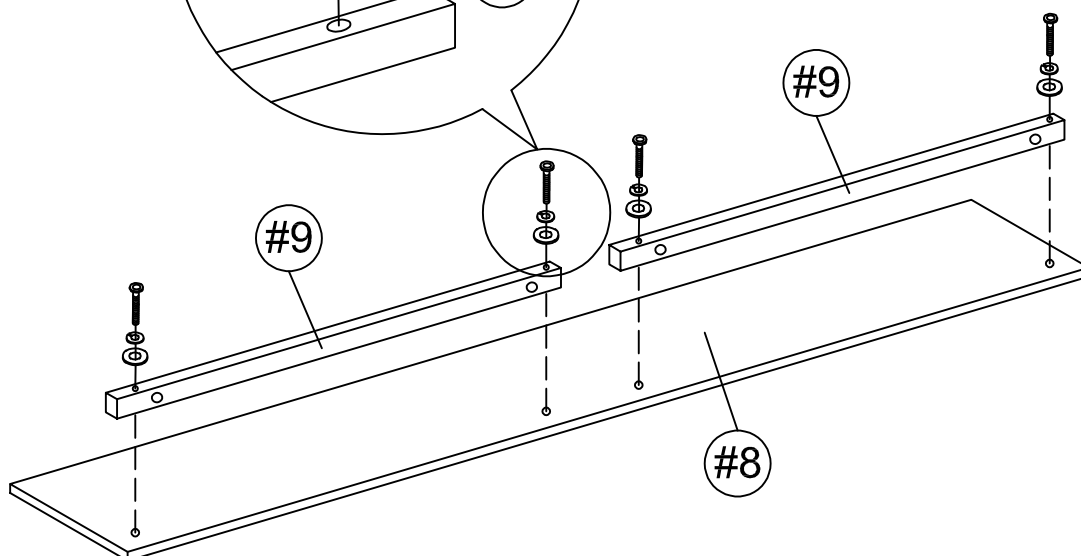
Hardware (#D) x1pc

Hardware (#H) x4pcs

Hardware (#I) x4pcs



ATTENTION:
Please align the holes on the side rail support rail (#9) to the holes on the trundle front panel (#8).



ASSEMBLY INSTRUCTIONS

7

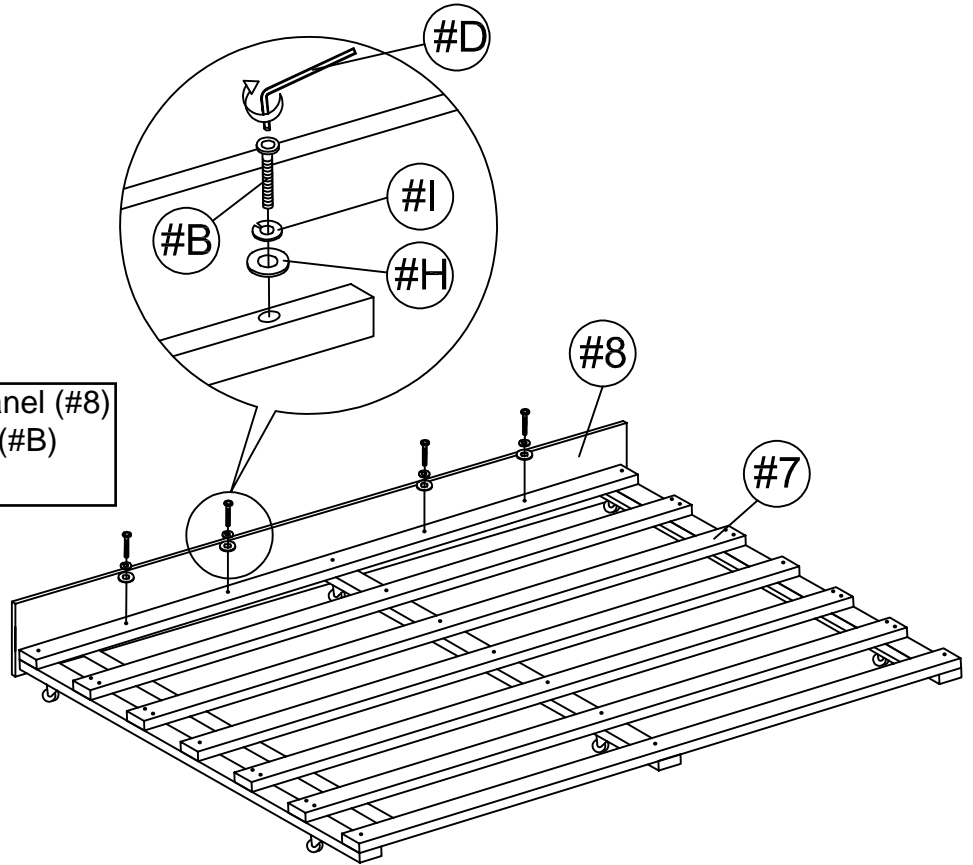
Hardware **#B** x4pcs

Hardware **#D** x1pc

Hardware **#H** x4pcs

Hardware **#I** x4pcs

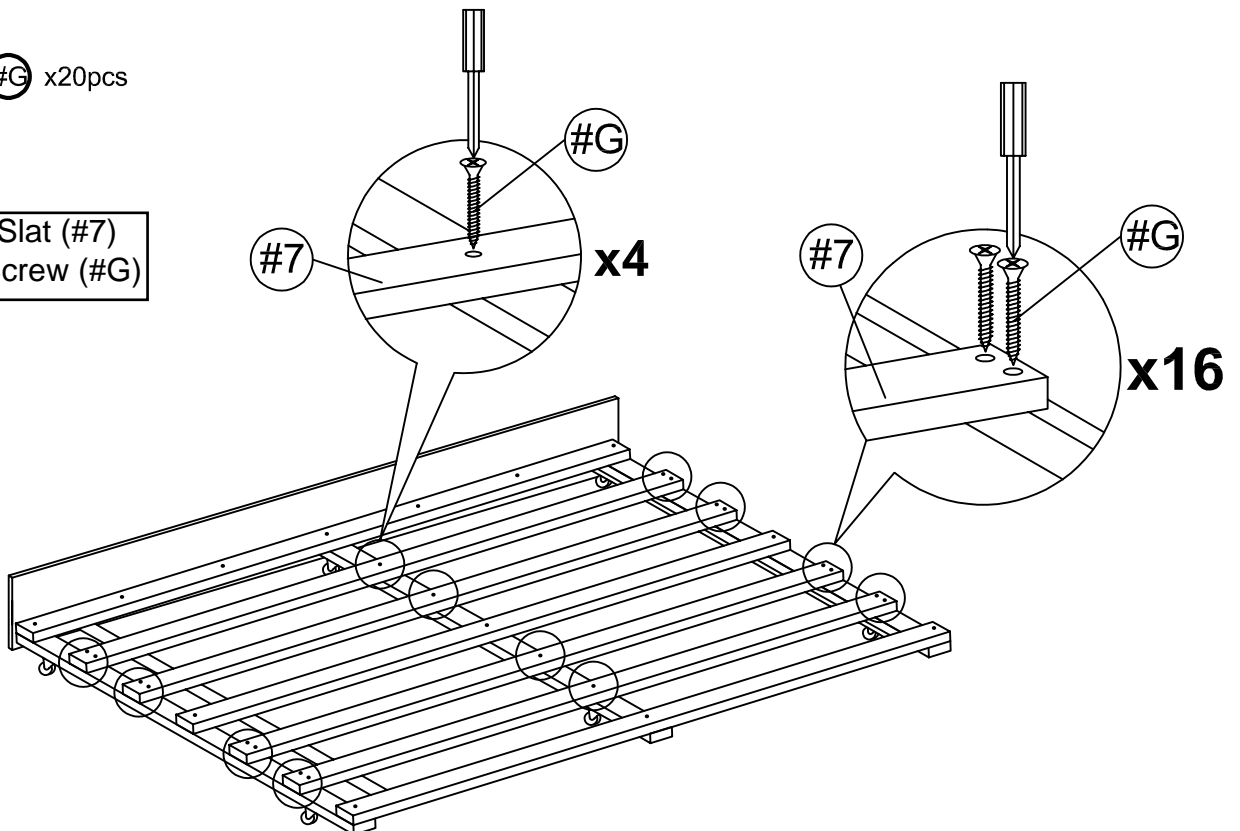
Align and attach Trundle Front Panel (#8) to Bed Slat (#7) using JCBC Bolt (#B) with Washers (#H, I)



8

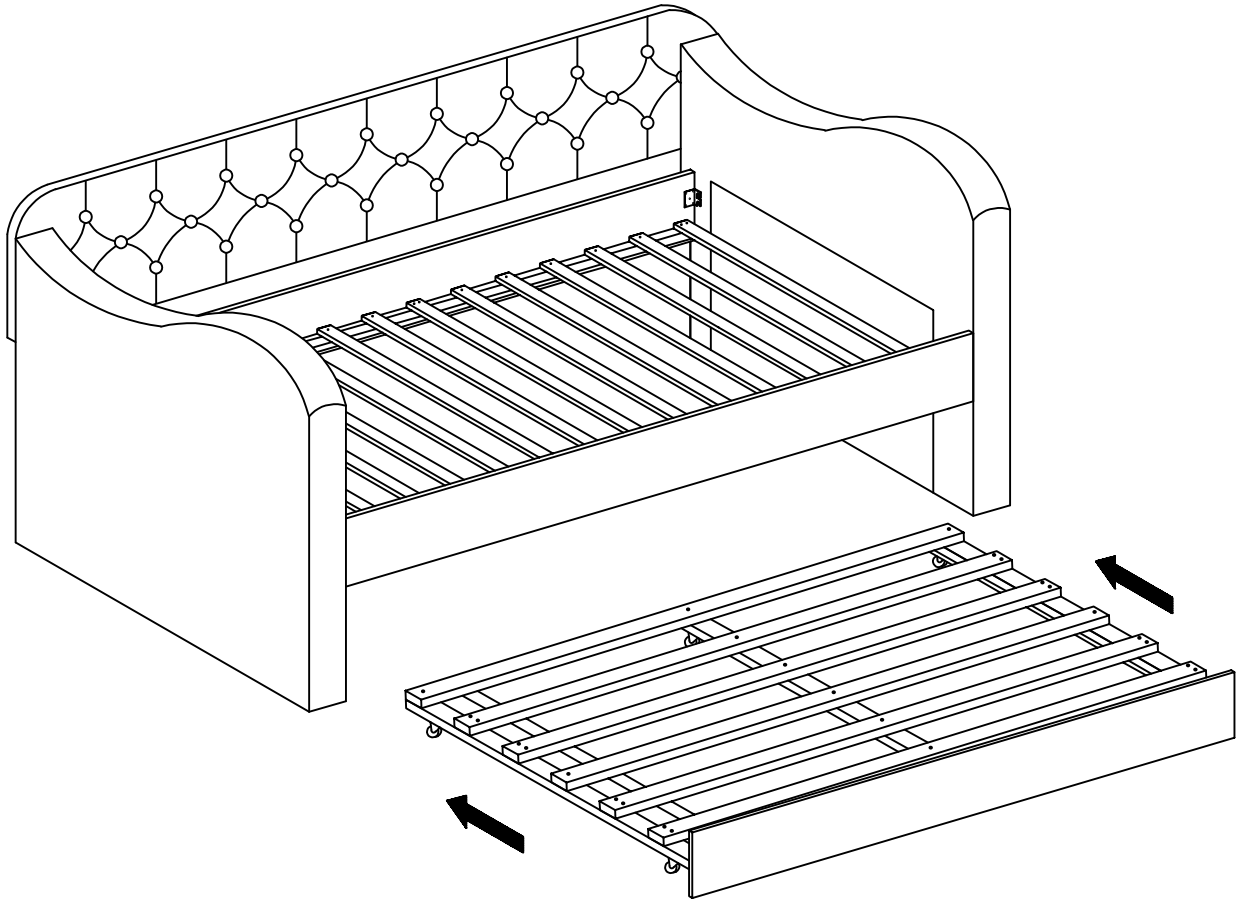
Hardware **#G** x20pcs

Secure Bed Slat (#7) using CSK Screw (#G)



ASSEMBLY INSTRUCTIONS

9



ASSEMBLY COMPLETED



Please ensure the furniture rests on an even and flat surface. If the product wobbles or feels loose, double-check all bolts and/or screws are properly tightened and secured.



Keep this handy!

Please retain this instruction manual and any order-related information for future reference.



Lift, don't drag!

To avoid damage to product please always LIFT the product when transporting or adjusting the placement.