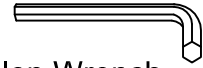


ASSEMBLY INSTRUCTIONS

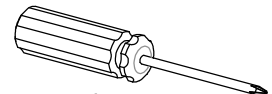
TOOLS REQUIRED



Allen Wrench
(Included)



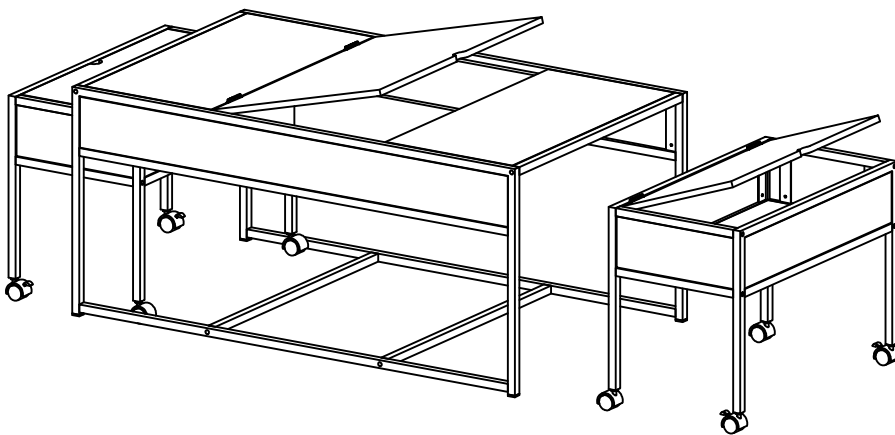
Wrench
(Included)



Phillips Screwdriver
(Not Included)



2 - People
Recommended



ASSEMBLY RATING



EASY —————> DIFFICULT

The Assembly Rating is a 5-point system showing the level of effort needed to assemble a specific product.



CHECK BEFORE STARTING

Are you missing anything?

Double-check all parts, hardware and accessories listed are all accounted for.

Check out our Quick Tips!

We recommend reviewing the pre-assembly handouts. Even experts need a refresher now and then!

Should we send any replacements?

Are there any irregularities or flaws in the parts? We can send replacements!

Prep Time!

Please review the assembly instructions and all diagrams prior to assembling.

PRE ASSEMBLY INTRODUCTION

We understand building ready-to-assemble furniture can be a challenging experience for some. To help avoid confusion, we have provided some helpful tips that may speed up the process.



Teamwork

ALWAYS have at least two people to help with transporting and assembling the product to avoid potential injury and/or damage.



Suitable Location

Assembling near the area of the intended location is highly recommended.



Sufficient Space

Make sure you have enough space to move around during the assembly.



Avoid Scratches

Use cardboard, blankets or a carpeted area while assembling furniture to prevent to prevent scratches and damages.



Flat Surface

Make sure the furniture rests on a flat and level surface with each leg evenly touching the floor.

ASSEMBLY AND CARE ADVICE



FAILURE TO FOLLOW THE GUIDELINES BELOW MAY RESULT IN INJURY AND/OR PROPERTY DAMAGE.



Position each part correctly and insert screws or bolts into their respective holes.



Turn clockwise to tighten and only tighten when step is completed or when instructed to do so.



Use the appropriate hand tools or power tools for assembly. Select steps, such as tightening screws and/or bolts, may require hand tools to avoid causing damage during assembly.



Save the instructions and store any supplied tools for later maintenance.



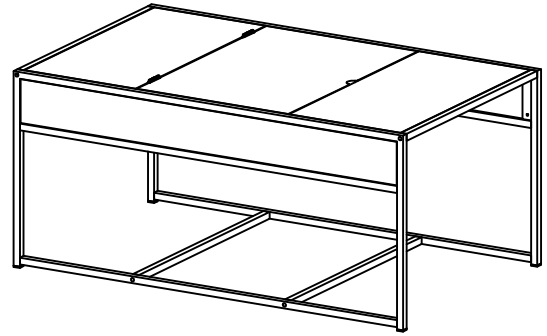
After two weeks, check and tighten any loose hardware and repeat again every six months thereafter.

IT IS THE USER'S RESPONSIBILITY TO MAINTAIN THE FURNITURE. THE HARDWARE MAY LOOSEN OVER TIME AND MAY CAUSE THE FURNITURE TO BE WOBBLY AND UNABLE TO SUPPORT ITS INTENDED WEIGHT CAPACITY. THIS MAY LEAD TO COLLAPSE AND MAY CAUSE SERIOUS INJURY.

LARGE COFFEE TABLE

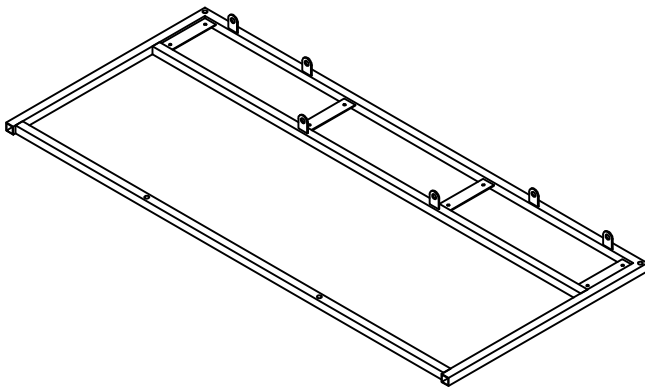


- Please keep instructions for future reference.
- Check the quantity and irregularity of parts and hardware before you start.



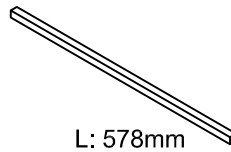
PARTS

#1 x 2pcs



Side Frame

#2 x 4pcs



L: 578mm

Cross Tube

#3 x 1pc

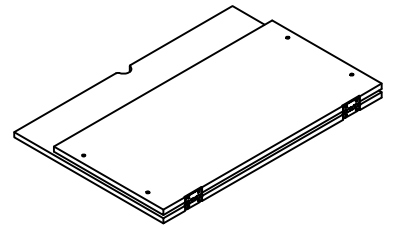
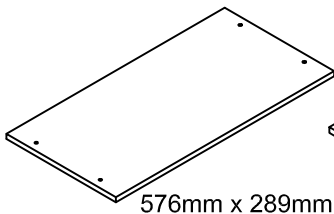


Table Top with Flip

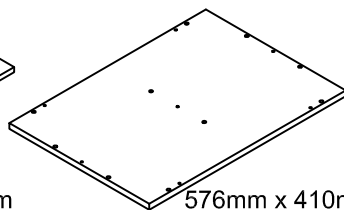
#4 x 1pc



576mm x 289mm

Table Top

#5 x 1pc



576mm x 410mm

Box Bottom

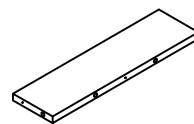
#6 x 2pcs



576mm x 103mm

Long Box Panel

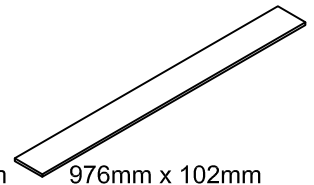
#7 x 3pcs



380mm x 103mm

Short Box Panel

#8 x 2pcs

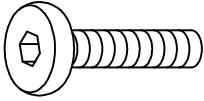


976mm x 102mm

Panel

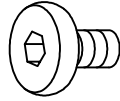
HARDWARE

#A x 8pcs



Bolt 1/4" * 1"

#B x 12pcs



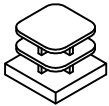
Bolt 1/4" * 9mm

#C x 16pcs



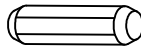
Screw 4mm * 9mm

#D x 4pcs



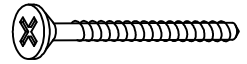
Plug

#E x 16pcs



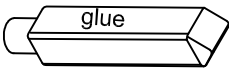
Dowel

#F x 13pcs



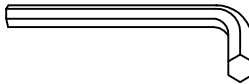
Screw 9# * 2"

#G x 1pc



Glue

#H x 1pc

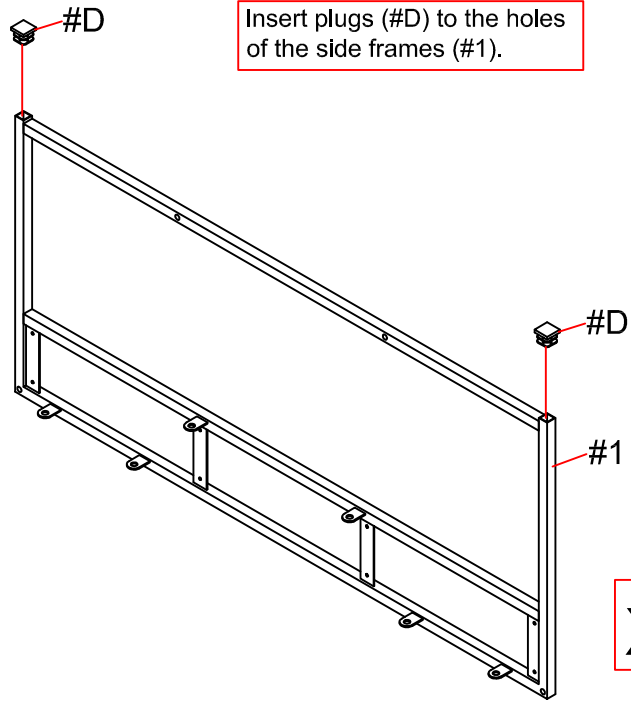


Allen Wrench

ASSEMBLY INSTRUCTIONS

1

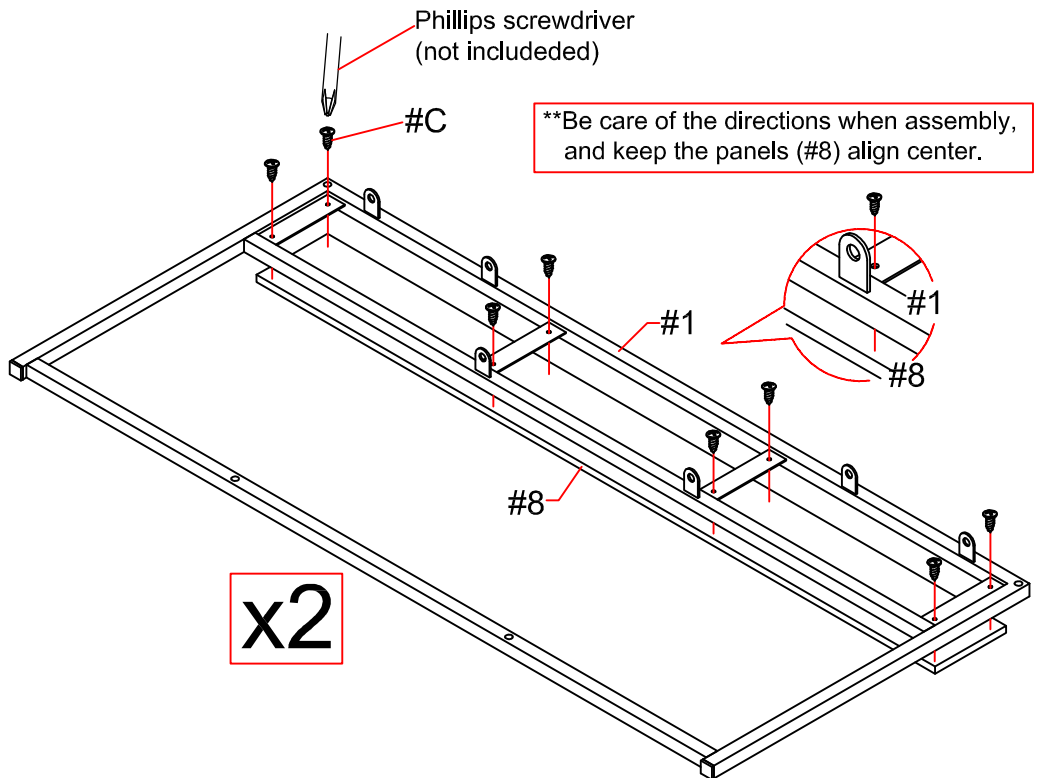
Part #1 x2pcs
Hardware #D x4pcs



2

Part #1 x2pcs
Part #8 x2pcs
Hardware #C x16pcs

Align panel (#8) to frame (#1), then secure using screws (#C).

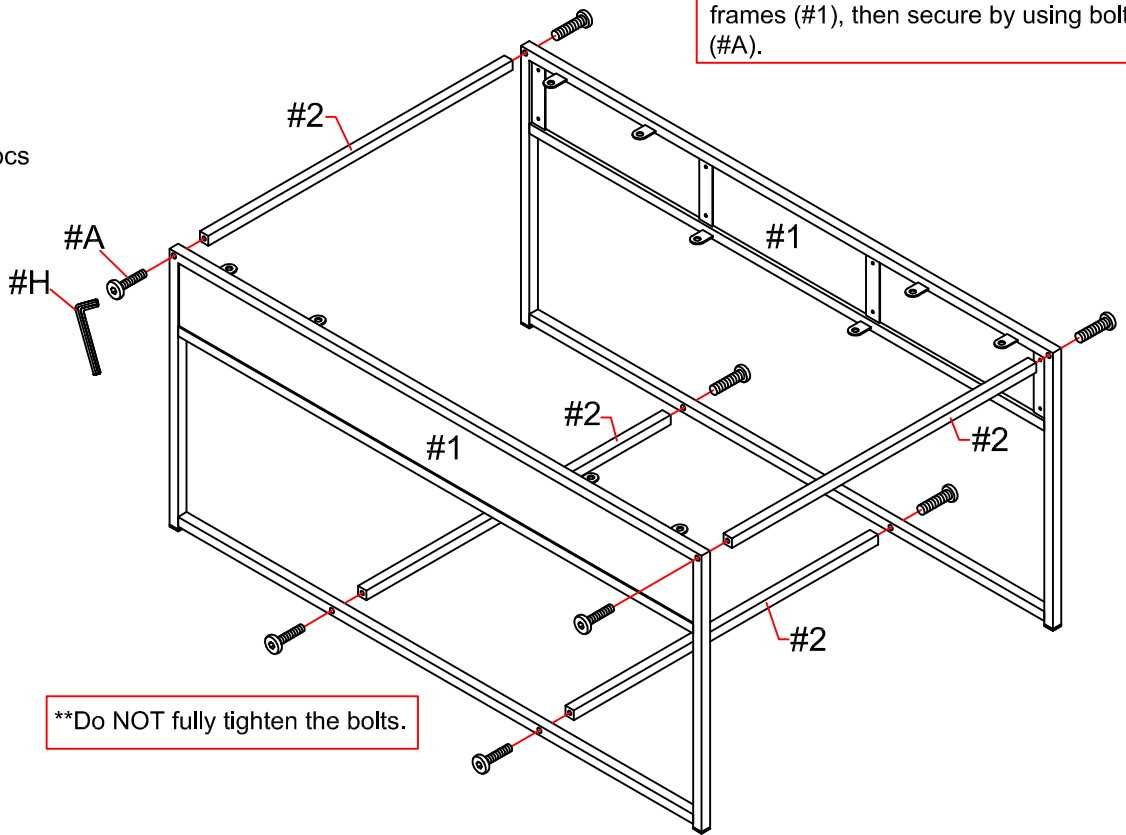


ASSEMBLY INSTRUCTIONS

3

- Part #1 x2pcs
- Part #2 x4pcs
- Hardware #A x8pcs

Align cross tubes (#2) to holes of side frames (#1), then secure by using bolts (#A).



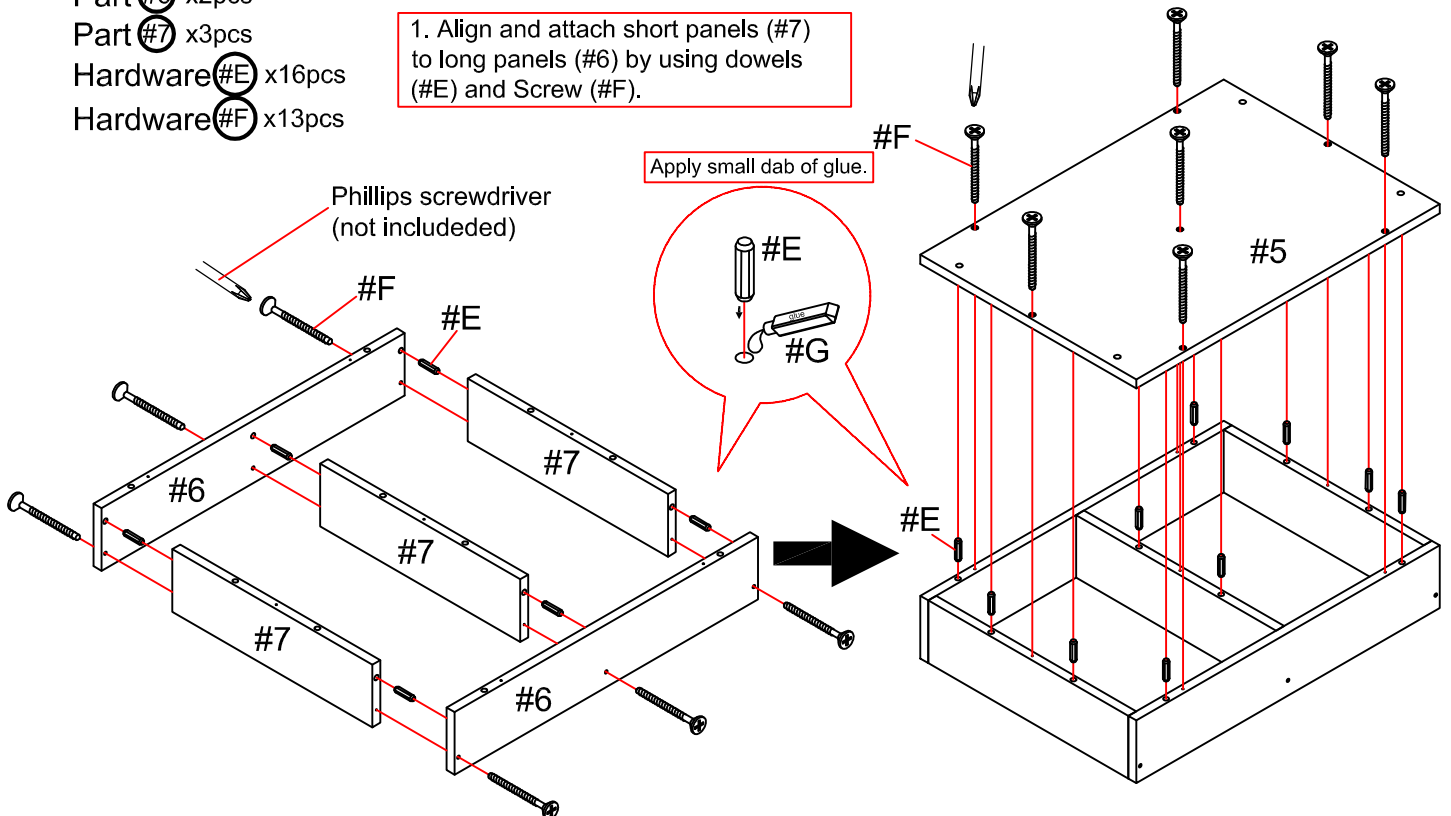
**Do NOT fully tighten the bolts.

4

- Part #5 x1pc
- Part #6 x2pcs
- Part #7 x3pcs
- Hardware #E x16pcs
- Hardware #F x13pcs

2. Align bottom panel (#5) to box frame using dowels (#E) and secure using bolts (#F).

1. Align and attach short panels (#7) to long panels (#6) by using dowels (#E) and Screw (#F).

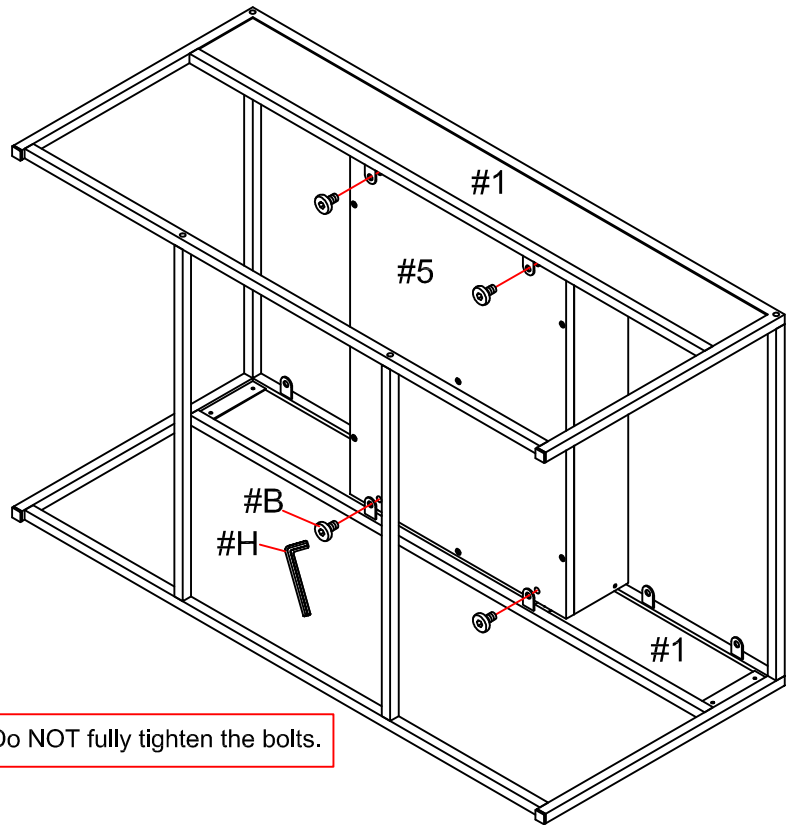


ASSEMBLY INSTRUCTIONS

5

Hardware **#B** x4pcs

Attach the box frame to the center of side frames (#1) using bolts (#B).



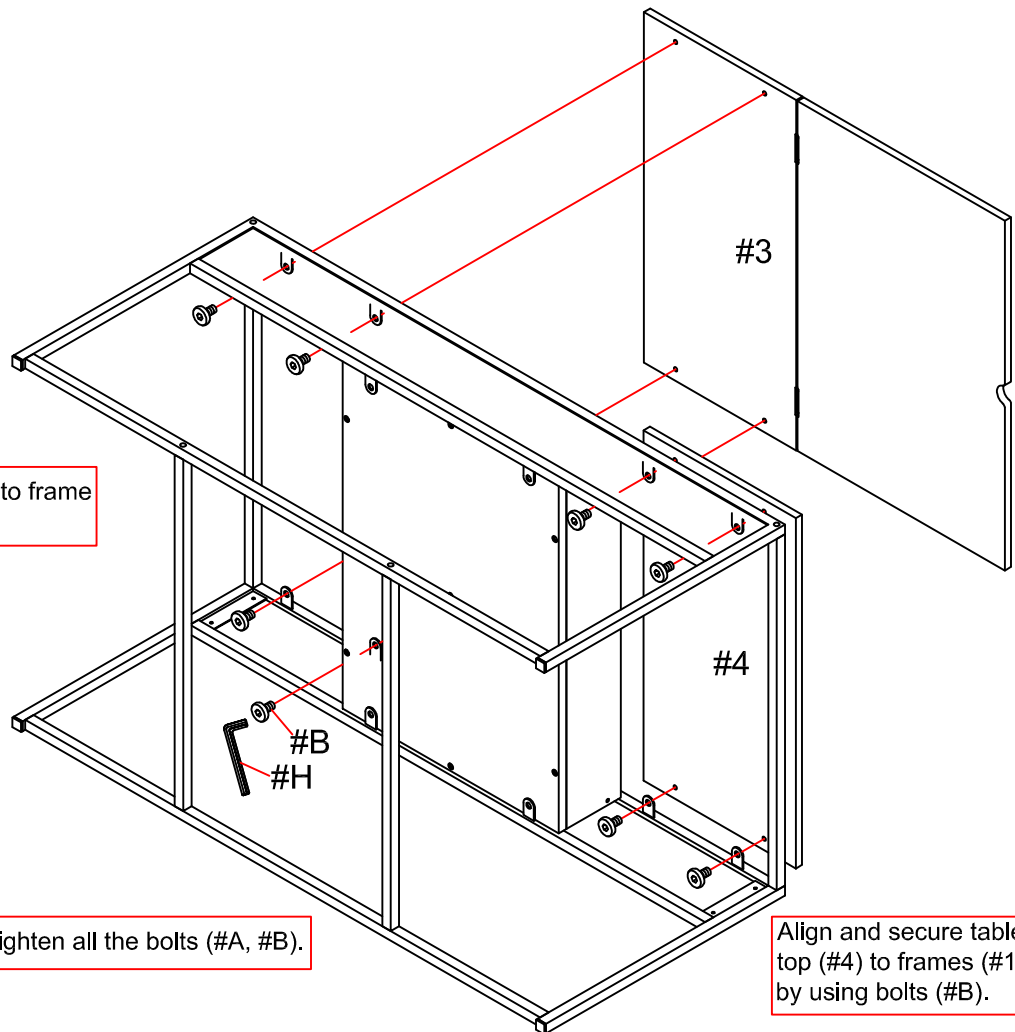
6

Part **#3** x1pc

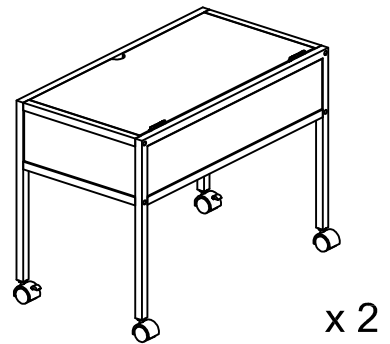
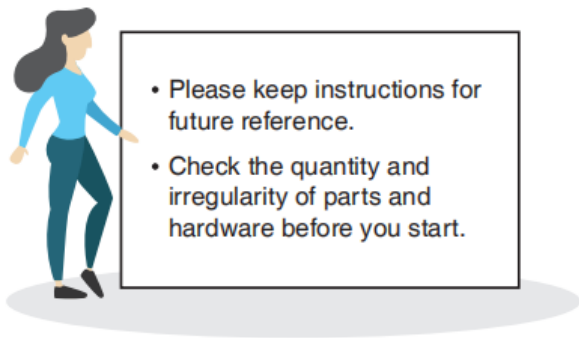
Part **#4** x1pc

Hardware **#B** x8pcs

Attach table top with flip (#3) to frame (#1) using bolts (#B).

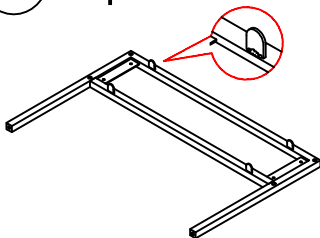


SMALL COFFEE TABLES



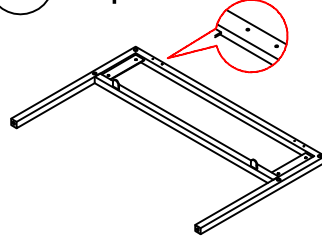
PARTS

#1 x 2pcs



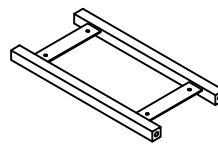
Side Frame

#2 x 2pcs



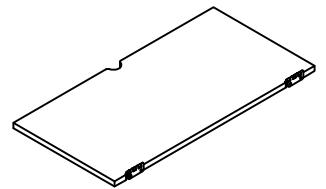
Side Frame

#3 x 4pcs



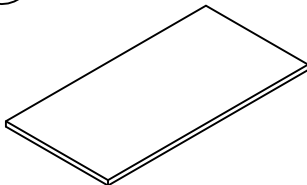
Cross Frame

#4 x 2pcs



Flip Board

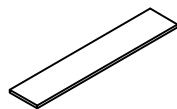
#5 x 2pcs



521mm x 266mm

Bottom Board

#6 x 4pcs



521mm x 102mm

Panel

#7 x 4pcs

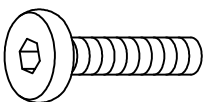


266mm x 102mm

Panel

HARDWARE

#A x 16pcs



Bolt 1/4" * 1"

#B x 8pcs



Screw 3.5mm * 12mm

#C x 32pcs



Screw 4mm * 9mm

#D x 8pcs



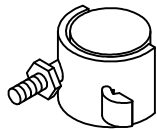
Split Washer

#E x 4pcs



Caster

#F x 4pcs



Caster with Brake

#G x 1pc



Allen Wrench

#H x 1pc



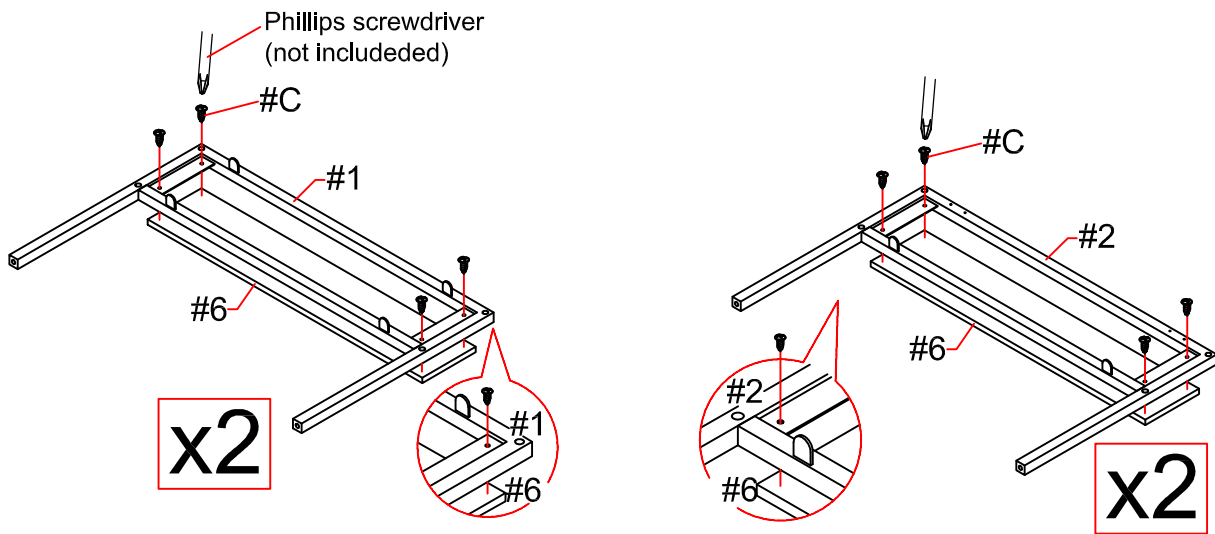
Wrench

ASSEMBLY INSTRUCTIONS

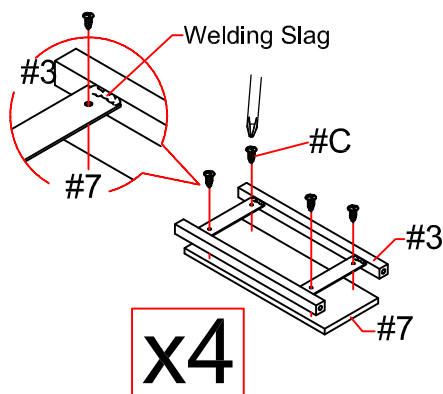
1

- Part #1 x2pcs
- Part #2 x2pcs
- Part #3 x4pcs
- Part #6 x4pcs
- Part #7 x4pcs
- Hardware #C x32pcs

Align panels (#6) to side frames (#1,2), then secure by using screws (#C).



**Be care of the directions when assembly, and keep the panels (#6, #7) align center.

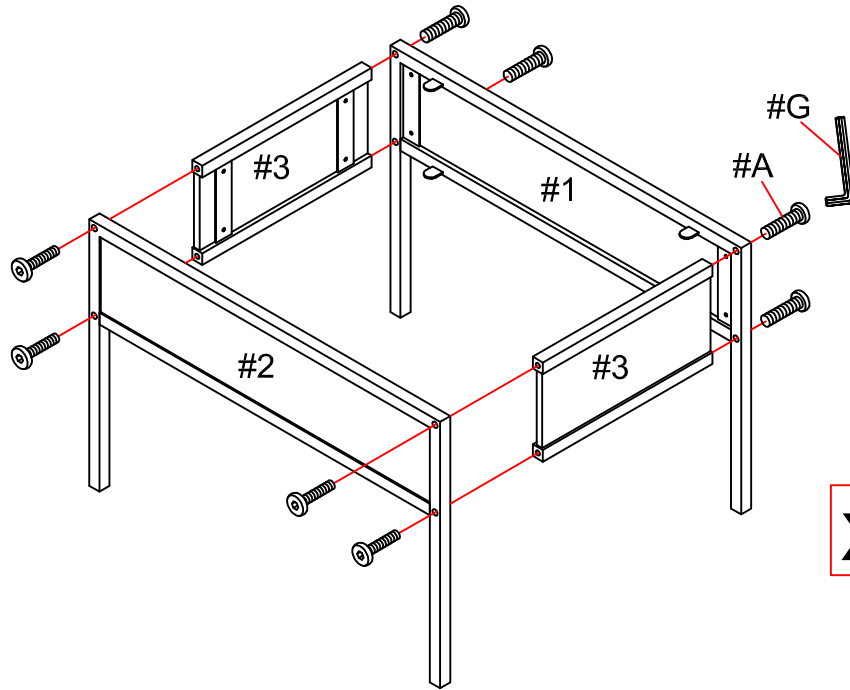


ASSEMBLY INSTRUCTIONS

2

Attach cross frames (#3) to side frames (#1,2) by using bolts (#A).

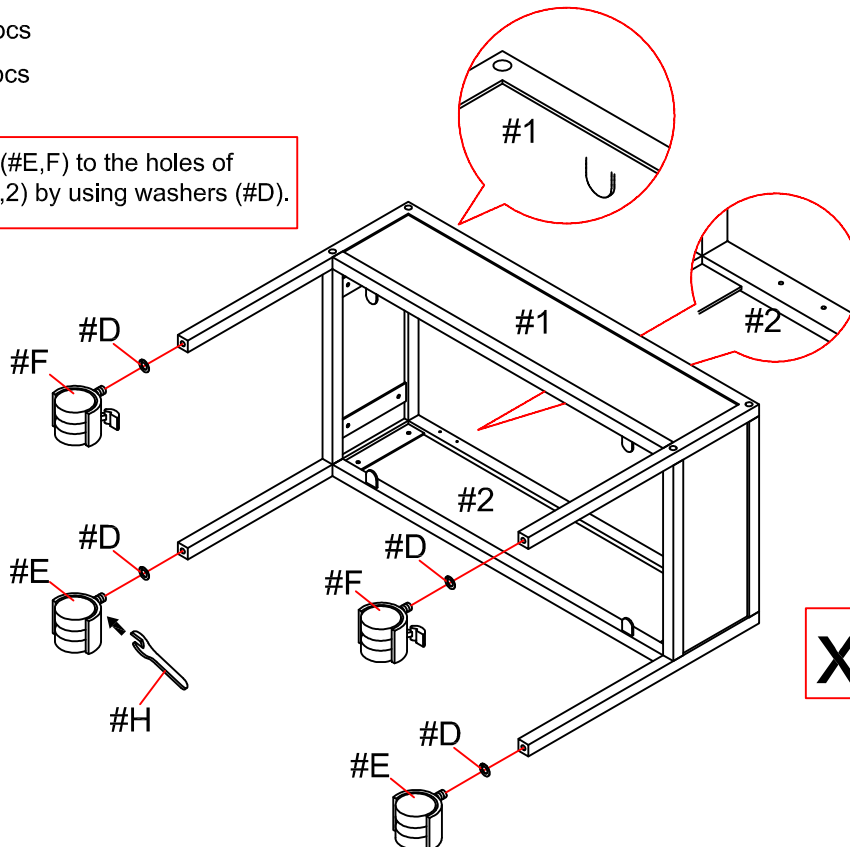
- Part #1 x2pcs
- Part #2 x2pcs
- Part #3 x4pcs
- Hardware #A x16pcs



3

- Hardware #D x8pcs
- Hardware #E x4pcs
- Hardware #F x4pcs

Secure casters (#E,F) to the holes of side frames (#1,2) by using washers (#D).

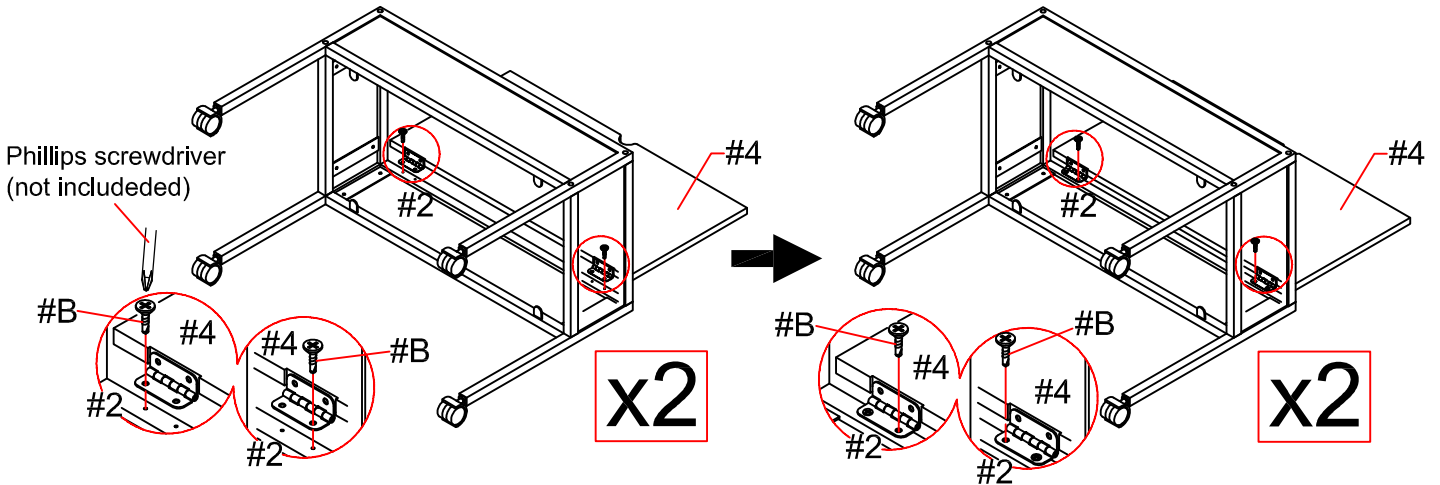


ASSEMBLY INSTRUCTIONS

4

Part #4 x2pcs
Hardware #B x8pcs

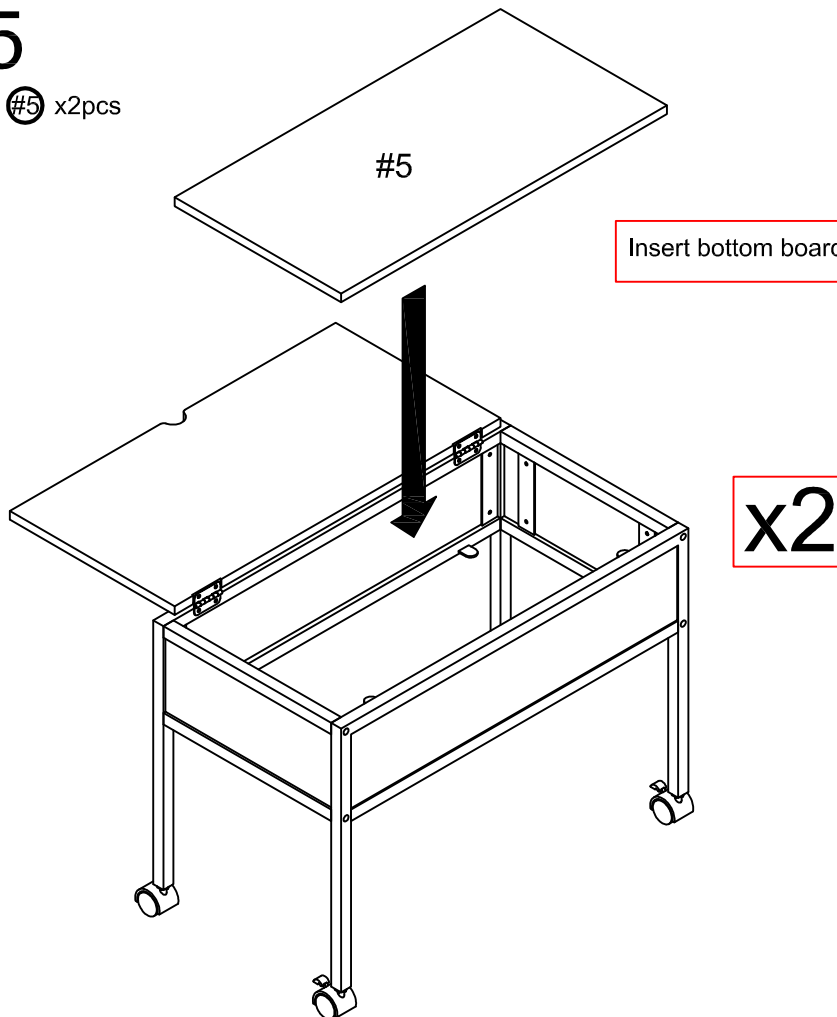
Align hinges of flip board (#4) to side frame (#2),
secure using screw (#B).



5

Part #5 x2pcs

Insert bottom board panel (#5).



ASSEMBLY COMPLETED



Please ensure the furniture rests on an even and flat surface. If the product wobbles or feels loose, double-check all bolts and/or screws are properly tightened and secured.



Keep this handy!

Please retain this instruction manual and any order-related information for future reference.



Lift, don't drag!

To avoid damage to product please always LIFT the product when transporting or adjusting the placement.