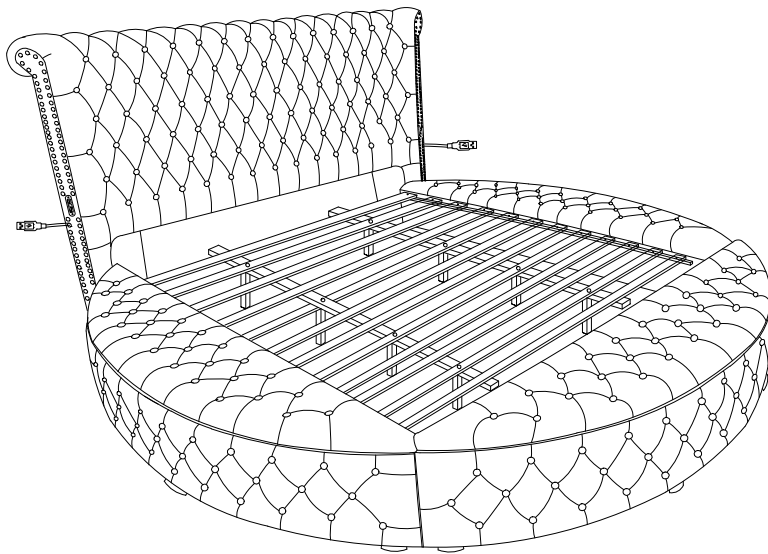


ASSEMBLY INSTRUCTIONS



TOOLS REQUIRED



Allen Wrench

(Included)



Phillips Screwdriver

(Not Included)



2 - People
Recommended

ASSEMBLY RATING



EASY —————> DIFFICULT

The Assembly Rating is a 5-point system showing the level of effort needed to assemble a specific product.



CHECK BEFORE STARTING

Are you missing anything?

Double-check all parts, hardware and accessories listed are all accounted for.

Check out our Quick Tips!

We recommend reviewing the pre-assembly handouts. Even experts need a refresher now and then!

Should we send any replacements?

Are there any irregularities or flaws in the parts? We can send replacements!

Prep Time!

Please review the assembly instructions and all diagrams prior to assembling.

PRE ASSEMBLY INTRODUCTION

We understand building ready-to-assemble furniture can be a challenging experience for some. To help avoid confusion, we have provided some helpful tips that may speed up the process.



Teamwork

ALWAYS have at least two people to help with transporting and assembling the product to avoid potential injury and/or damage.



Suitable Location

Assembling near the area of the intended location is highly recommended.



Sufficient Space

Make sure you have enough space to move around during the assembly.



Avoid Scratches

Use cardboard, blankets or a carpeted area while assembling furniture to prevent to prevent scratches and damages.



Flat Surface

Make sure the furniture rests on a flat and level surface with each leg evenly touching the floor.

ASSEMBLY AND CARE ADVICE



FAILURE TO FOLLOW THE GUIDELINES BELOW MAY RESULT IN INJURY AND/OR PROPERTY DAMAGE.



Position each part correctly and insert screws or bolts into their respective holes.



Turn clockwise to tighten and only tighten when step is completed or when instructed to do so.



Use the appropriate hand tools or power tools for assembly. Select steps, such as tightening screws and/or bolts, may require hand tools to avoid causing damage during assembly.



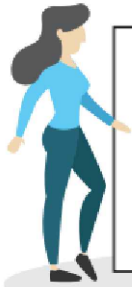
Save the instructions and store any supplied tools for later maintenance.



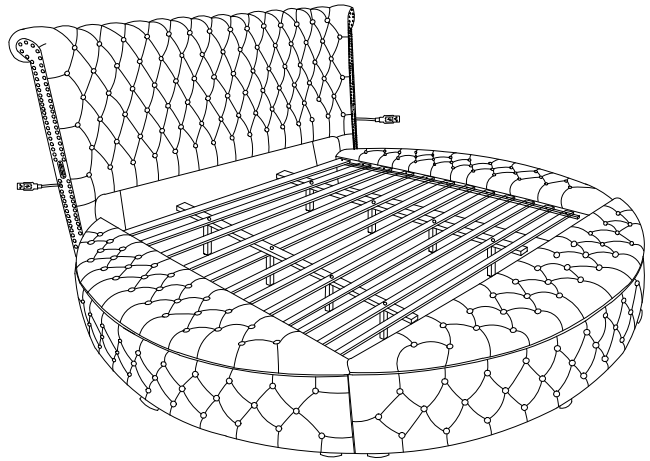
After two weeks, check and tighten any loose hardware and repeat again every six months thereafter.

IT IS THE USER'S RESPONSIBILITY TO MAINTAIN THE FURNITURE. THE HARDWARE MAY LOOSEN OVER TIME AND MAY CAUSE THE FURNITURE TO BE WOBBLY AND UNABLE TO SUPPORT ITS INTENDED WEIGHT CAPACITY. THIS MAY LEAD TO COLLAPSE AND MAY CAUSE SERIOUS INJURY.

BED

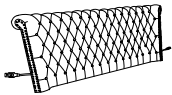


- Please keep instructions for future reference.
- Check the quantity and irregularity of parts and hardware before you start.



PARTS

#1 1pc



Headboard

#2 2pcs



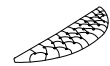
HB Leg
(L/R)

#3 2pcs



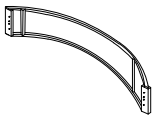
Side Rail
Top Panel

#4 1pc



Footboard
Top Panel

#5 2pcs



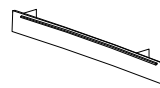
Side Rail With
Fabric

#6 9pcs



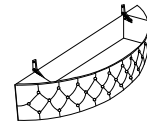
Plastic Feet

#7 2set



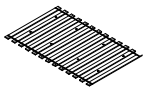
Side Rail

#8 1pc



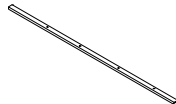
Footboard

#9 1set



Slat (13pcs)

#10 2pcs



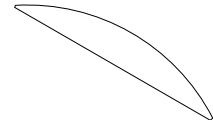
Support Rail

#11 8pcs



Support Leg

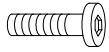
#12 2pcs



Side Rail Bottom
Panel

HARDWARE

#A 12pcs



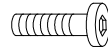
Bolt
Ø5/16" x 1-3/4"

#B 8pcs



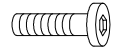
Threaded Stud
Ø5/16" x 3-1/4"

#C 12pcs



Bolt
Ø5/16" x 3/4"

#D 20pcs



Bolt
Ø1/4" x 5/8"

#E 32pcs



Lock Washer
Ø5/16"

#F 16pcs



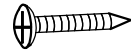
Flat Washer
Ø5/16" x 19mm

#G 16pcs



Flat Washer
Ø5/16" x 22mm

#H 44pcs



Screw
#8 x 38mm

#I 1pc



Allen Wrench 5mm

#J 1pc



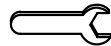
Allen Wrench 4mm

#K 8pcs



Hex Nut Ø5/16"

#L 1pc



Wrench 12mm

#M 2pcs



Wood tenon
Ø10x 40mm

#N 20pcs



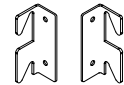
Lock Washer Ø1/4"

#O 20pcs



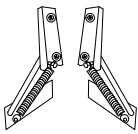
Flat Washer
Ø1/4" x 16mm

#P 2set



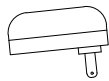
Connection Strap

#Q 2sets

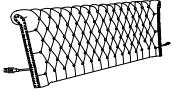
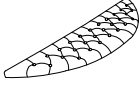
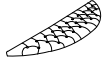
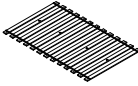
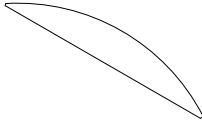
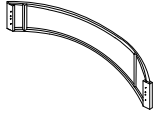







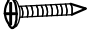



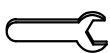




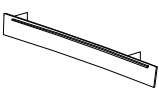
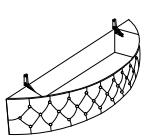
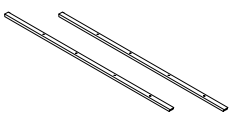


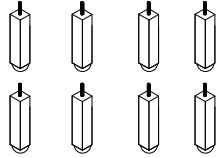


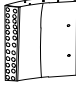

Hinges

#R 2pcs

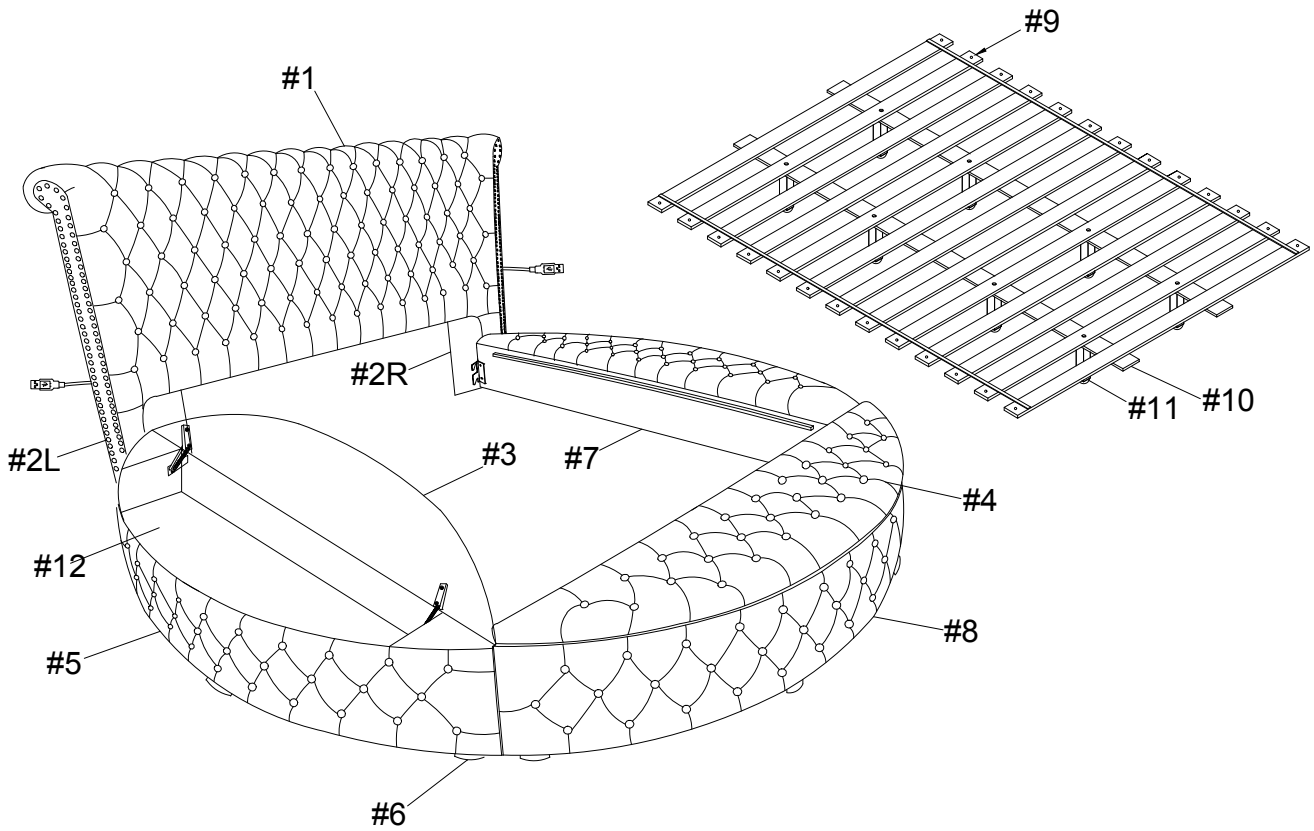


Power

Carton	Disignation	Part		Hardware
1	Headboard	#1		
	Side Rail Top Panel	#3		
	Footboard Top Panel	#4		
	Slat (13pcs)	#9		
	Side Rail Botom Panel	#12		
2	Side Rail With Fabric	#5		 #A x 12pcs  #B x 8pcs  #C x 12pcs  #D x 20pcs  #E x 32pcs  #F x 16pcs  #G x 16pcs  #H x 43pcs  #I x 1pc  #J x 1pc  #K x 8pcs  #L x 1pcs  #M x 1pcs  #N x 20pcs  #O x 20pcs
	Plastic Feet	#6		
	Side Rail	#7		
	Footboard	#8		
	Support Rail	#10		

Carton	Disignation	Part		Hardware
2	Support Leg	#11		 #P x 2sets  #O x 1set
	HB Leg	#12		 #R x 2pcs

Exploded View

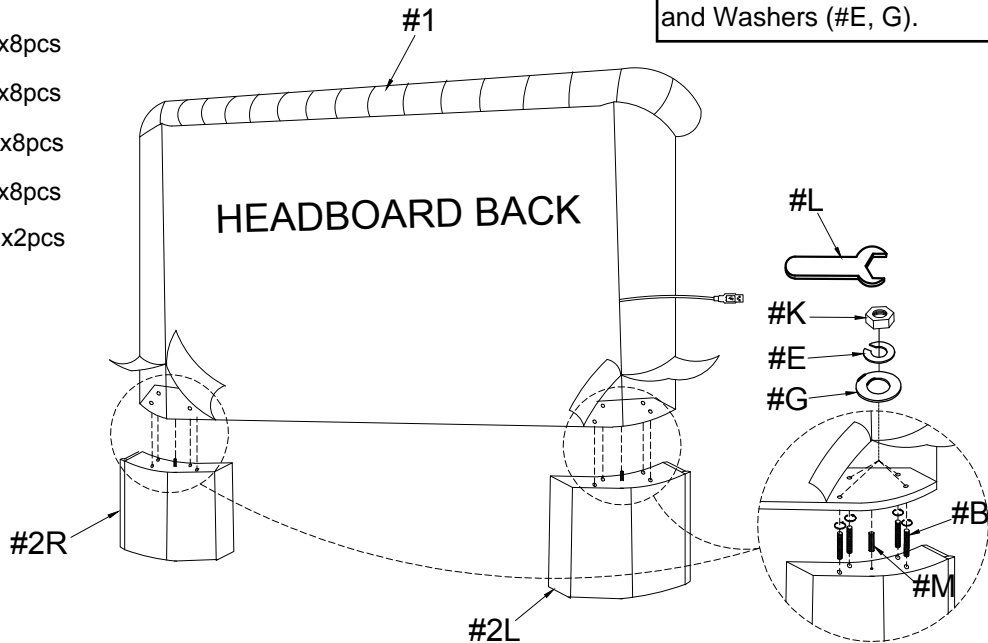


ASSEMBLY INSTRUCTIONS

1

- Part #1 x1pc
- Part #2 x2pcs
- Hardware #B x8pcs
- Hardware #E x8pcs
- Hardware #G x8pcs
- Hardware #K x8pcs
- Hardware #M x2pcs

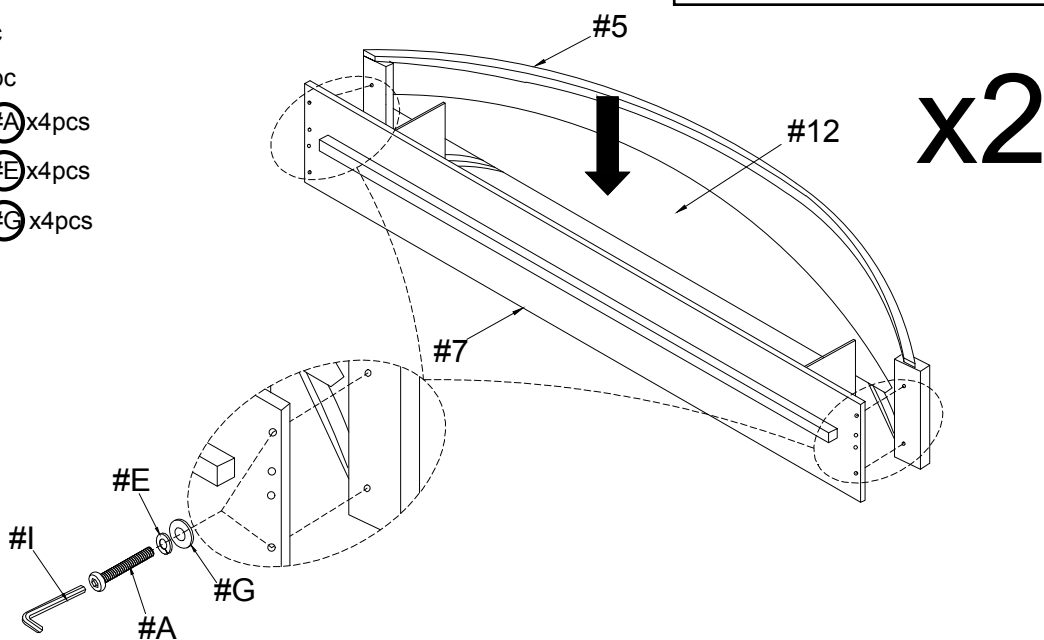
Insert Wood Tenon (#M) to the center hole of HB legs (#2). Lift Velcro to attach legs. Align HB legs (#2) to the Headboard (#1), then secure using Threaded Stud (#B) with Hex Nut (#K) and Washers (#E, G).



2





- Part #5 x1pc
- Part #7 x1pc
- Part #12 x1pc
- Hardware #A x4pcs
- Hardware #E x4pcs
- Hardware #G x4pcs

Align Side Rail with Fabric (#5) to Side Rail (#7) and the Side Rail Bottom Panel (#12), then secure using Bolt (#A) and Washers (#E, G)

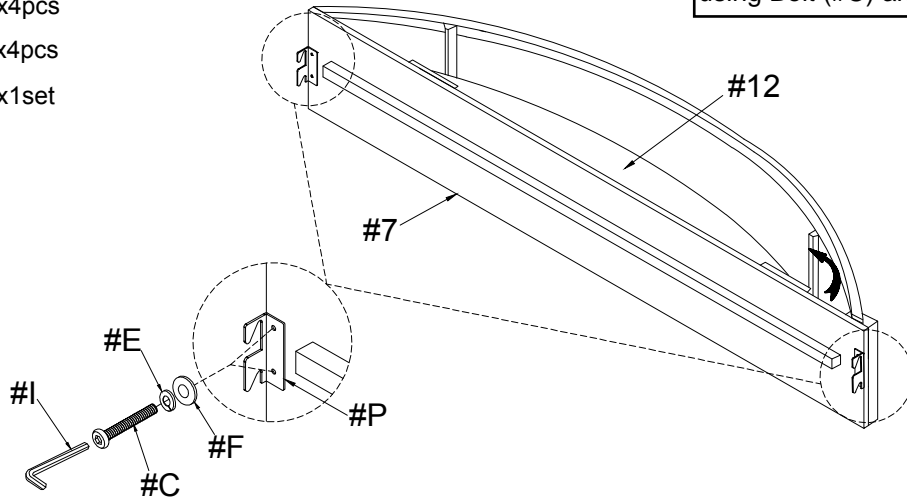


ASSEMBLY INSTRUCTIONS

3

- Hardware  #C x4pcs
- Hardware  #E x4pcs
- Hardware  #F x4pcs
- Hardware  #P x1set

Align and attach Connection Strap (#P) using Bolt (#C) and Washers (#E, F)

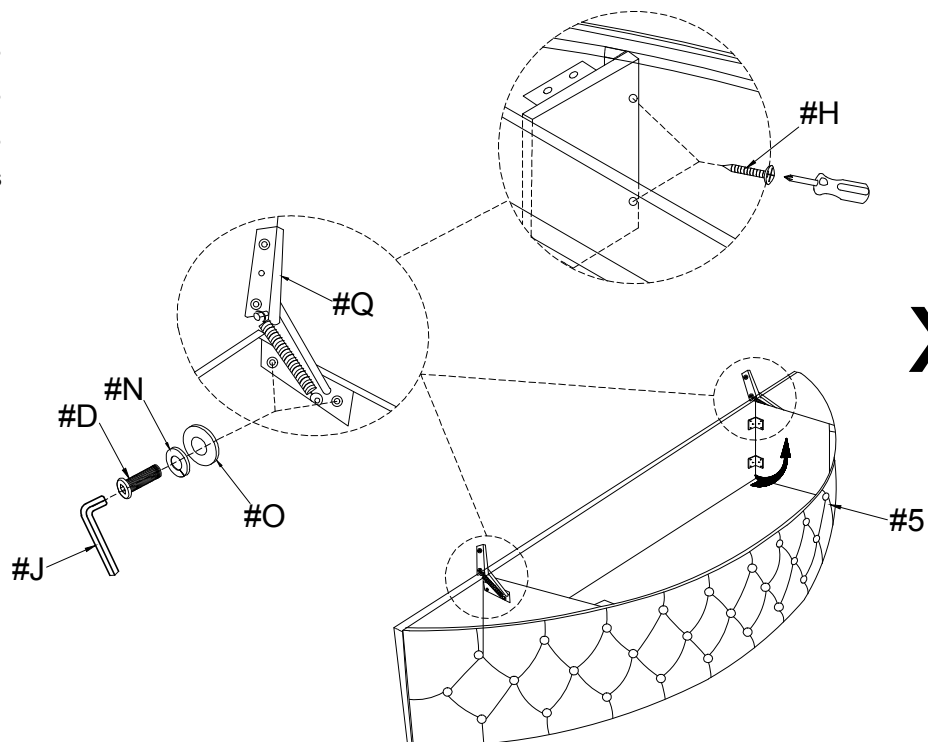


x2

4

- Hardware  #D x4pcs
- Hardware  #H x4pcs
- Hardware  #N x4pcs
- Hardware  #O x4pcs
- Hardware  #Q x1set

Attach Hinges (#Q) using Screw (#H) and Bolt (#D) with Washers (#N, O)



x2

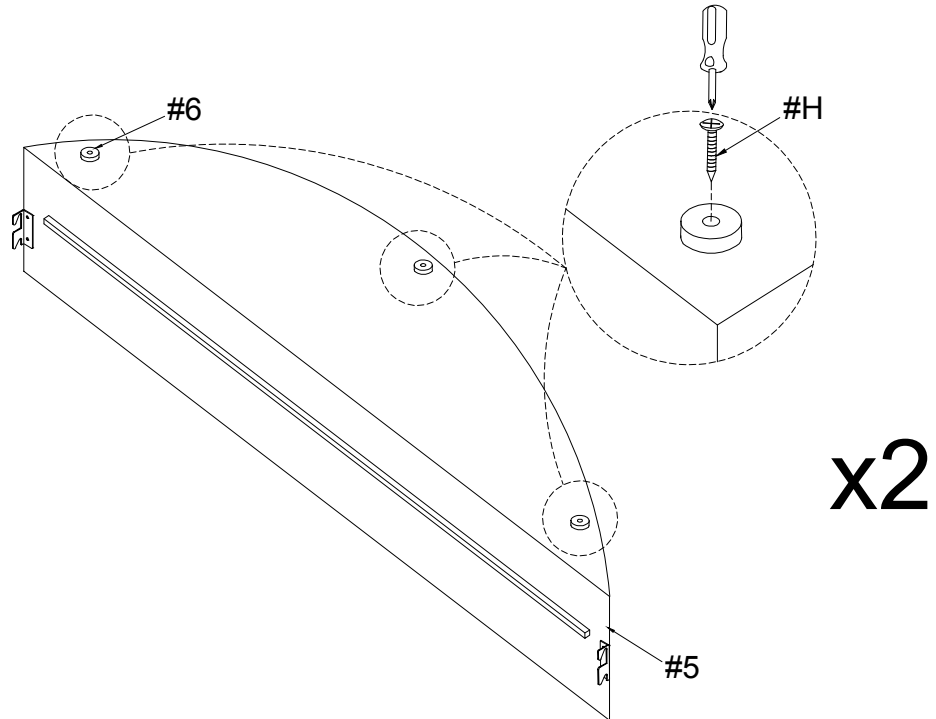
ASSEMBLY INSTRUCTIONS

5

Part #6 x3pcs

Hardware #H x 3pcs

Align and attach Plastic Feet (#6) unto Side Rail with Fabric (#5) using Screw (#H)



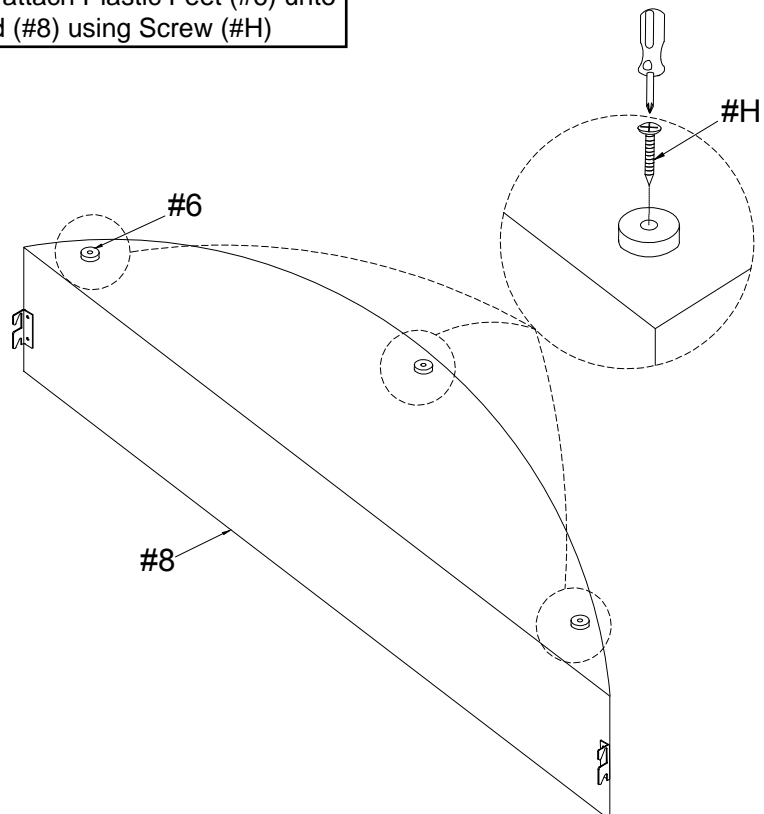
6

Part #8 x1pc

Part #6 x3pcs

Hardware #H x3pcs

Align and attach Plastic Feet (#6) unto Footboard (#8) using Screw (#H)

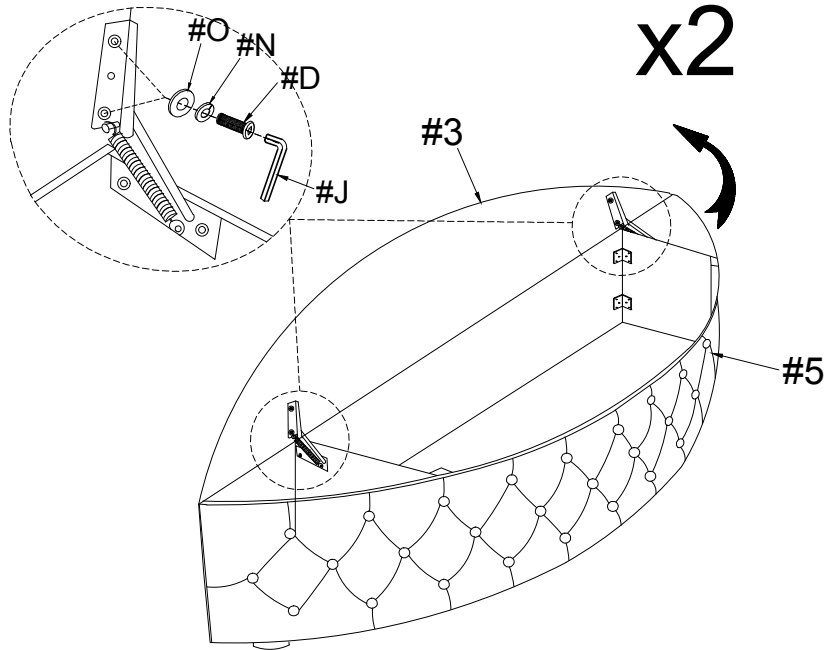


ASSEMBLY INSTRUCTIONS

7

Align and attach Side Rail Top Panel (#3) to Side Rail with Fabric (#5) using Bolt (#D) with Washers (#N, O)

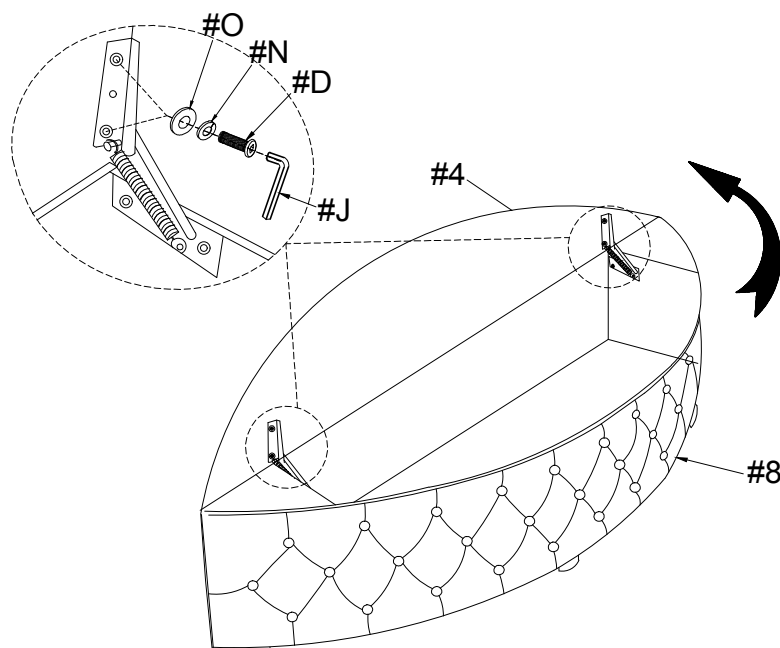
- Part #3 x1pc
- Hardware #D x4pcs
- Hardware #N x4pcs
- Hardware #O x4pcs



8

Align and attach Footboard Top Panel (#4) to Footboard (#8) using Bolt (#D) with Washers (#N, O)

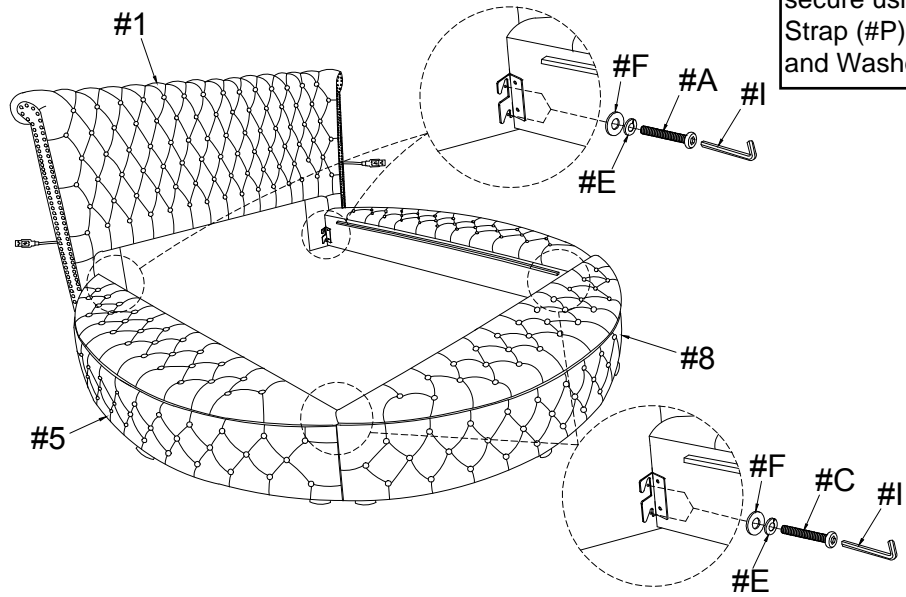
- Part #4 x1pc
- Hardware #D x4pcs
- Hardware #N x4pcs
- Hardware #O x4pcs



ASSEMBLY INSTRUCTIONS

9

- Part #1 x1pc
- Hardware #A x4pcs
- Hardware #C x4pcs
- Hardware #E x8pcs
- Hardware #F x8pcs
- Hardware #P x2sets

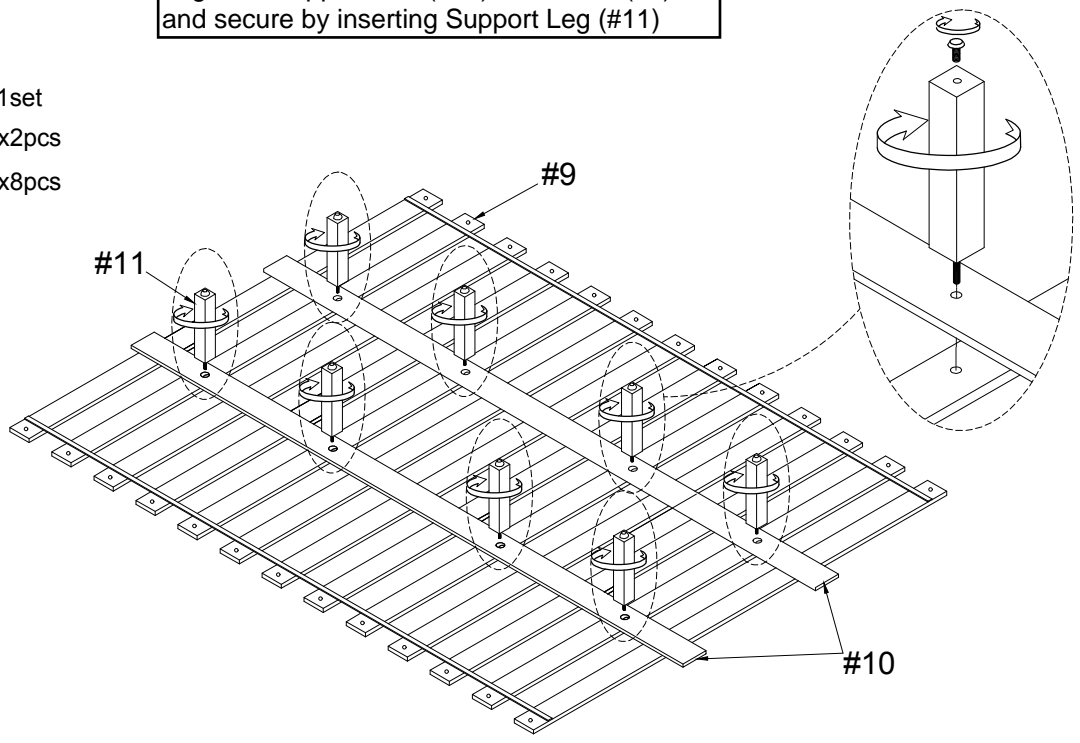


Align Side Rail with Fabric (#5) and Footboard (#8) to Headboard (#1) then, secure using Connection Strap (#P) with Bolts (#A, C) and Washers (#E, F)

10

- Part #9 x1set
- Part #10 x2pcs
- Part #11 x8pcs

Align the Support Rail (#10) to the Slat (#9) and secure by inserting Support Leg (#11)

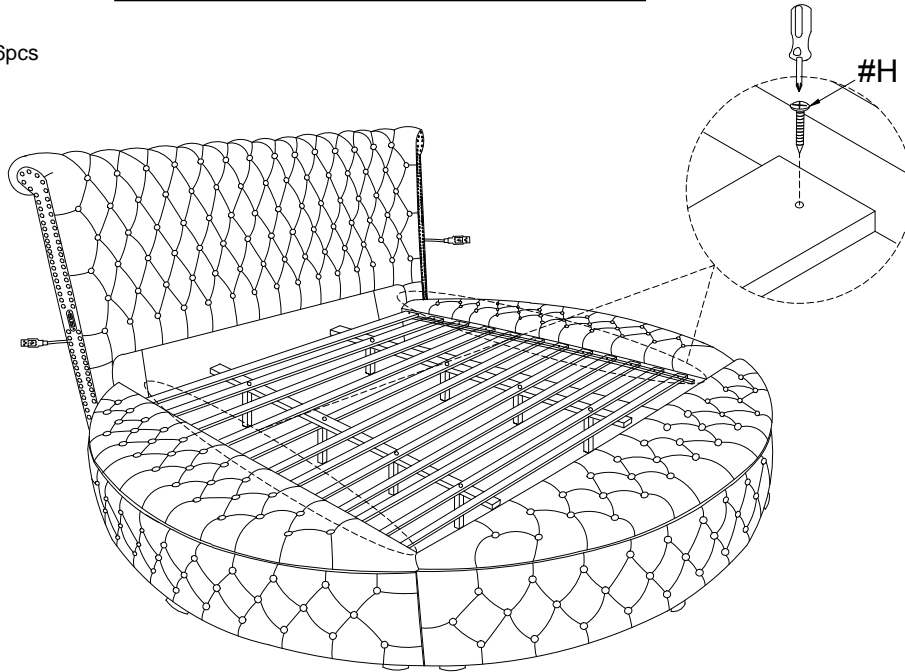


ASSEMBLY INSTRUCTIONS

11

Align and attach Slat (#9) using Screw (#H)

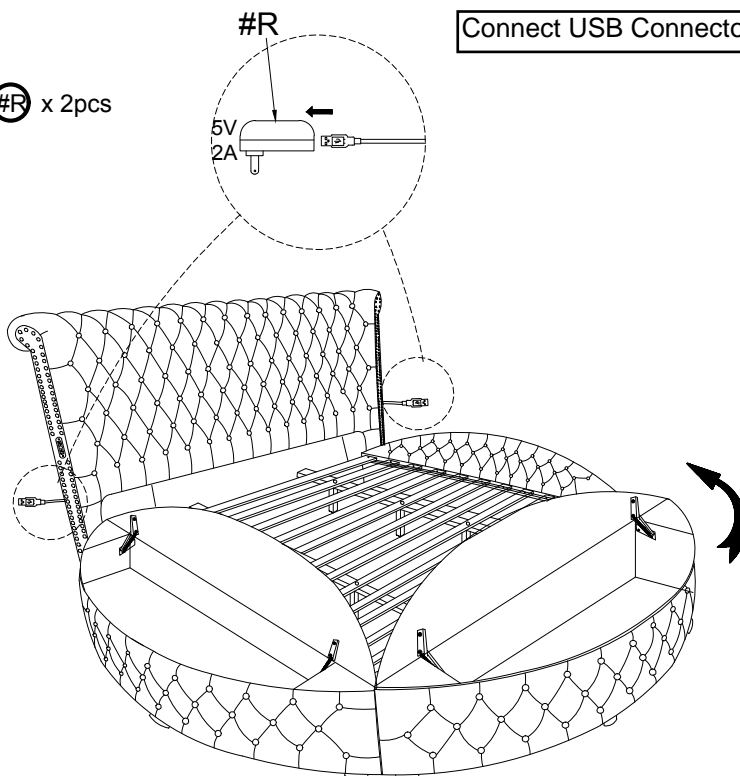
Hardware  x 26pcs



12

Connect USB Connectors to Power (#R)

Hardware  x 2pcs



ASSEMBLY COMPLETED



Please ensure the furniture rests on an even and flat surface. If the product wobbles or feels loose, double-check all bolts and/or screws are properly tightened and secured.



Keep this handy!

Please retain this instruction manual and any order-related information for future reference.



Lift, don't drag!

To avoid damage to product please always LIFT the product when transporting or adjusting the placement.