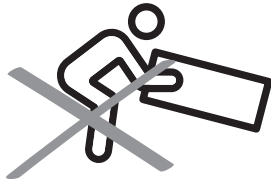


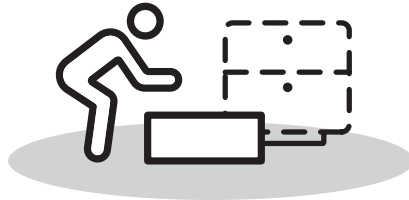
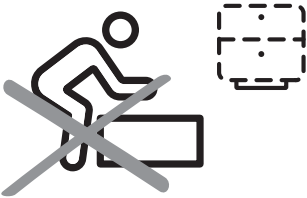
# PRE ASSEMBLY INTRODUCTION

We understand building ready-to-assemble furniture can be a challenging experience for some. To help avoid confusion, we have provided some helpful tips that may speed up the process.



## Teamwork

ALWAYS have at least two people to help with transporting and assembling the product to avoid potential injury and/or damage.



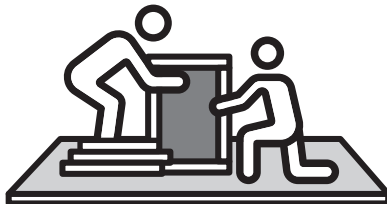
## Suitable Location

Assembling near the area of the intended location is highly recommended.



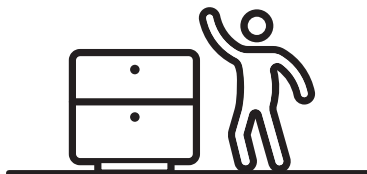
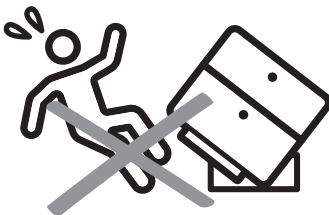
## Sufficient Space

Make sure you have enough space to move around during the assembly.



## Avoid Scratches

Use cardboard, blankets or a carpeted area while assembling furniture to prevent scratches.



## Flat Surface

Make sure the furniture rests on a flat and level surface with each leg evenly touching the floor.

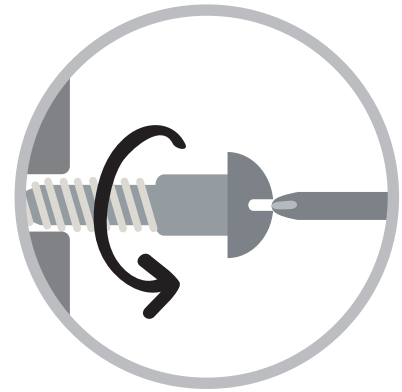
# ASSEMBLY AND CARE ADVICE



**FAILURE TO FOLLOW THE GUIDELINES BELOW MAY RESULT IN INJURY AND/OR PROPERTY DAMAGE.**



Position each part correctly and insert screws or bolts into their respective holes.

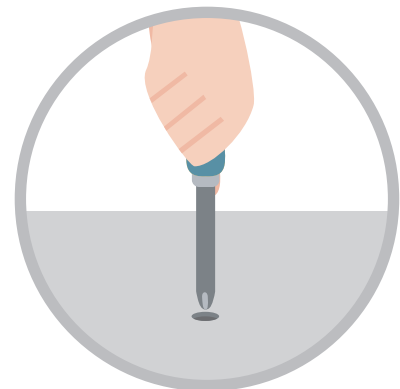


Turn clockwise to tighten and only tighten when step is completed or when instructed to do so.



Save the instructions and store any supplied tools for later maintenance.

Use the appropriate hand tools or power tools for assembly. Select steps, such as tightening screws and/or bolts, may require hand tools to avoid causing damage during assembly.



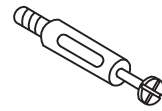
After two weeks, check and tighten any loose hardware and repeat again every six months thereafter.

**IT IS THE USER'S RESPONSIBILITY TO MAINTAIN THE FURNITURE. THE HARDWARE MAY LOOSEN OVER TIME AND MAY CAUSE THE FURNITURE TO BE WOBBLY AND UNABLE TO SUPPORT ITS INTENDED WEIGHT CAPACITY. THIS MAY LEAD TO COLLAPSE AND MAY CAUSE SERIOUS INJURY.**

# CAM LOCK FASTENER ASSEMBLY INSTRUCTIONS

## Note :

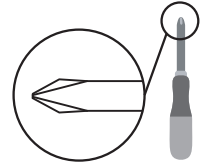
Every cam lock bolt must have a cam lock connector in order to fasten the parts together.



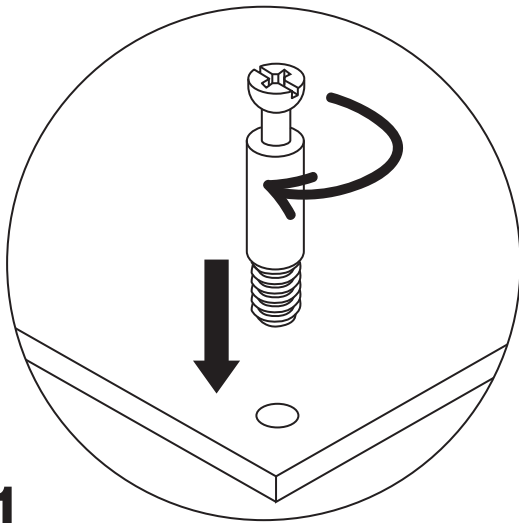
cam bolt



cam lock

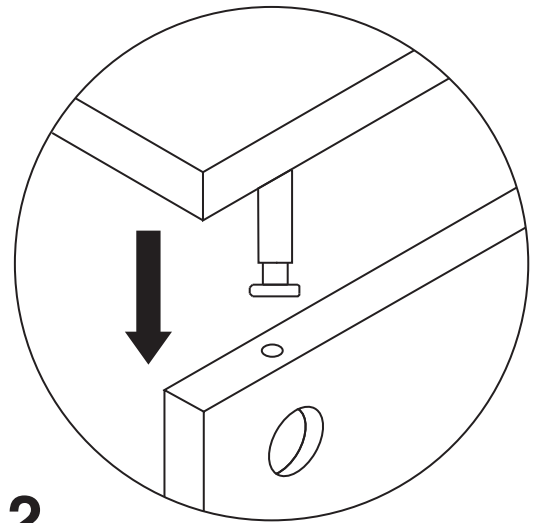


screwdriver



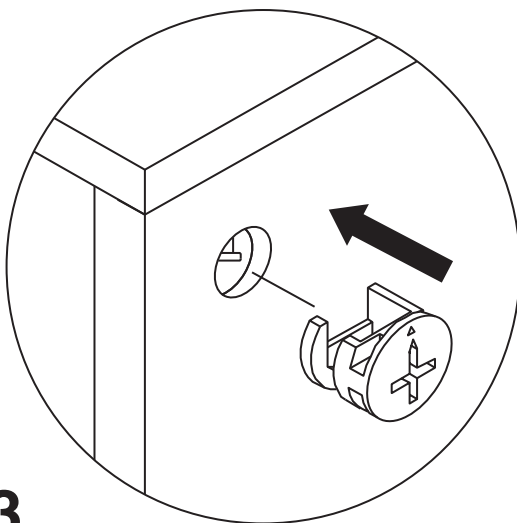
**1**

Screw the cam bolt into panel.



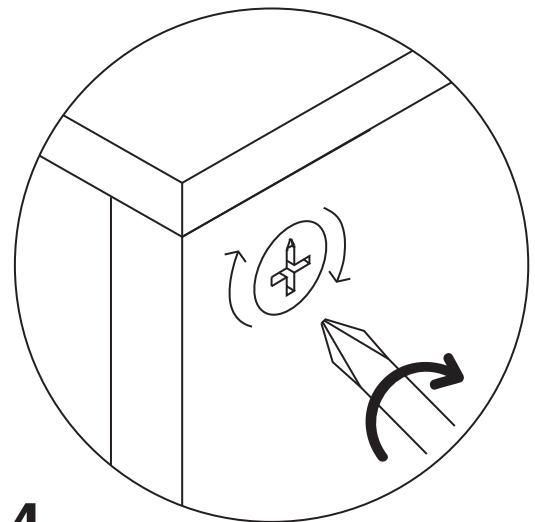
**2**

Insert the cam bolt into the bolt hole of joint panel.



**3**

Align the cam lock with its side opening (or arrow) pointing to cam bolt.

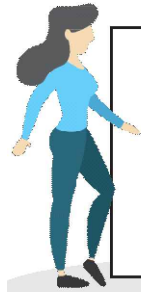


**4**

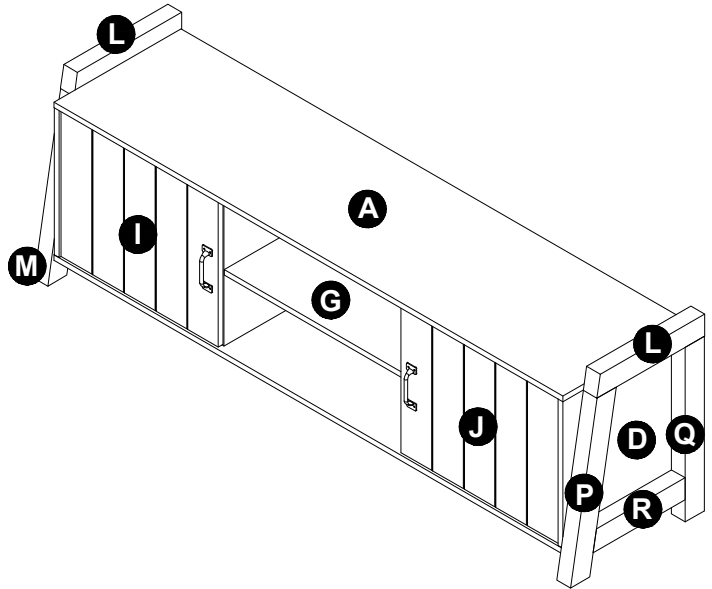
Turn the cam lock clockwise gently until it will not turn any more.

# TV STAND

## HFW- 2281C25

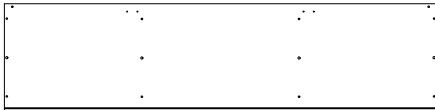


- Please keep instructions for future reference.
- Check the quantity and irregularity of parts and hardware before you start.



### PARTS

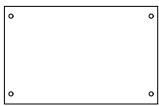
**A** 1PC



**B** 1PC



**G** 1PC



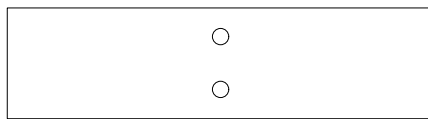
**H** 2PCS



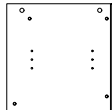
**K** 1PC



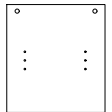
**S** 1PC



**C** 1PC



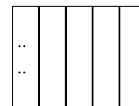
**E** 1PC



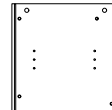
**I** 1PC



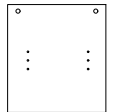
**J** 1PC



**D** 1PC



**F** 1PC



**L** 2PCS



**M** 1PC



**N** 1PC



**O** 1PC



**P** 1PC



**Q** 1PC

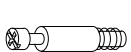


**R** 1PC



### HARDWARE

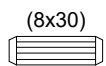
① 20PCS



② 20PCS

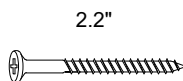


③ 20PCS



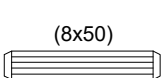
(8x30)

④ 8PCS



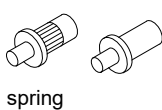
2.2"

⑤ 8PCS



(8x50)

⑥ 2SETS



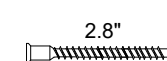
spring

⑦ 8PCS



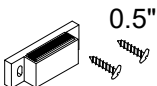
1.6"

⑧ 2PCS



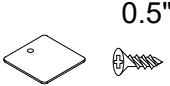
2.8"

⑨ 2SETS



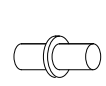
0.5"

⑩ 2SETS



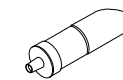
0.5"

⑪ 8PCS



### ACCESSORIES

A1 1PC



A2 2SETS



A3 14PCS



A4 1PC

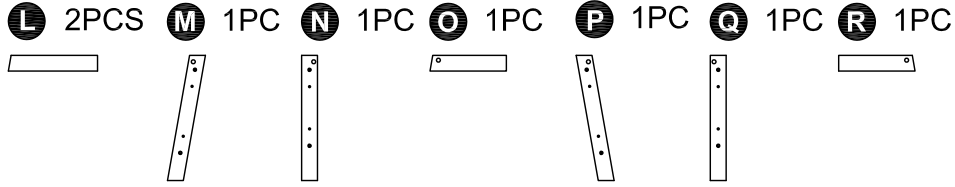


A5 4PCS

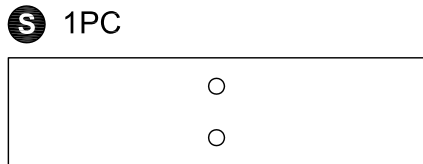
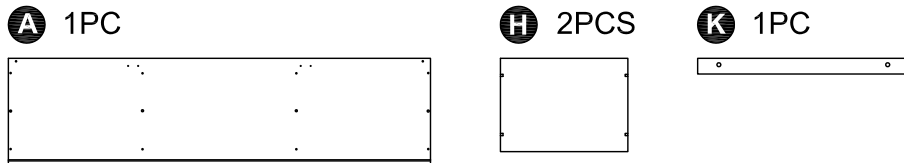
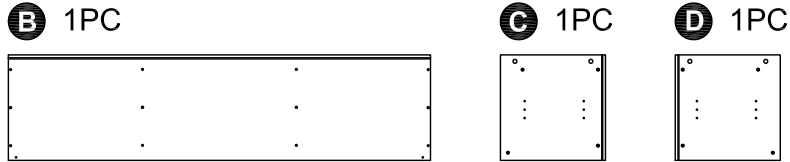
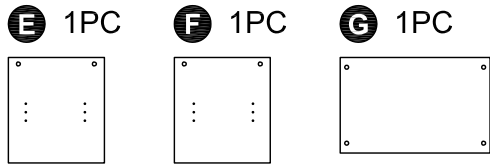


# GET READY

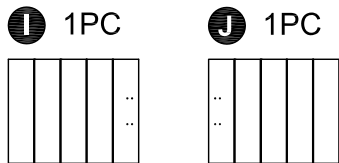
Please group boards as below.



**Foot**



**Body**



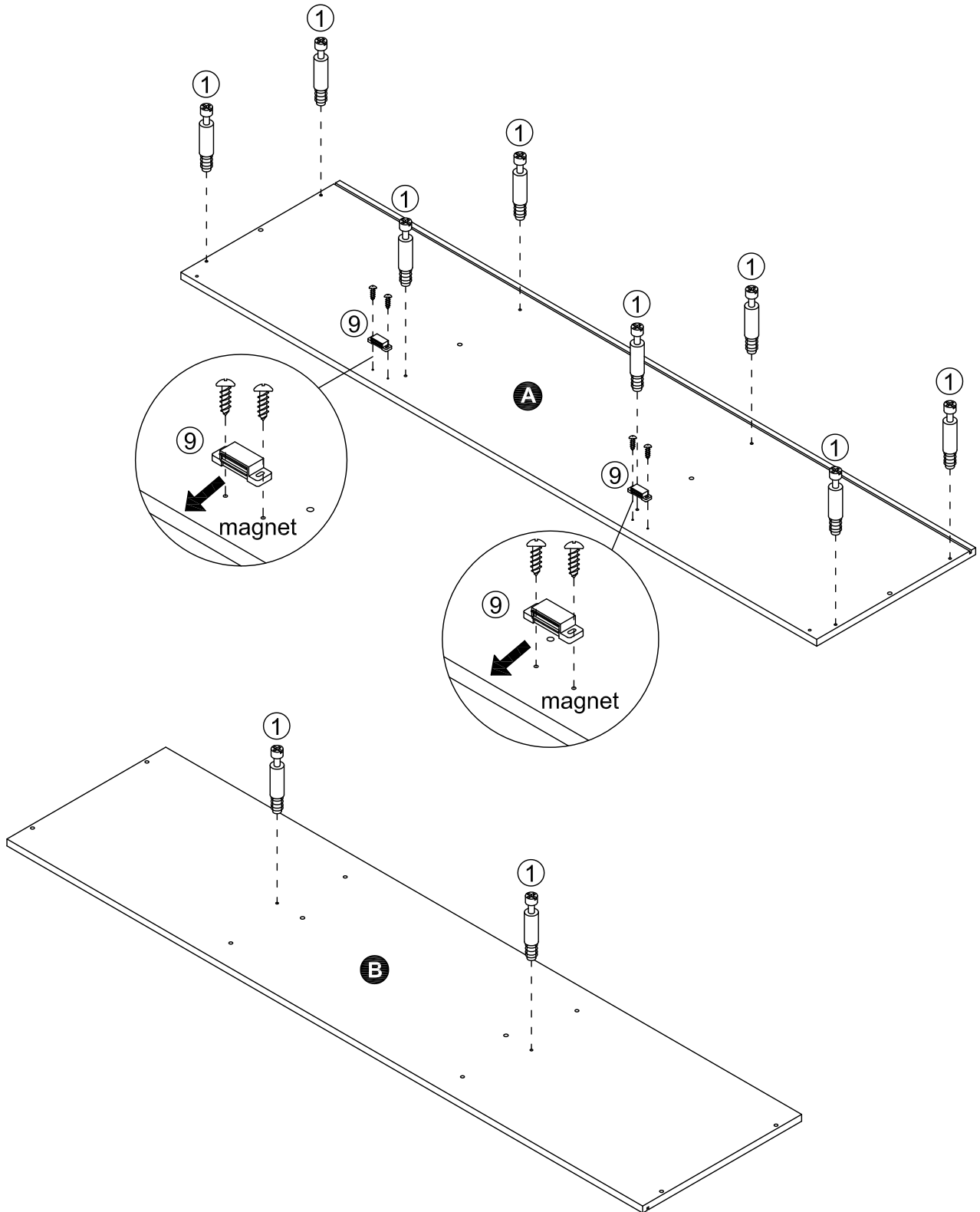
**Door**

# ASSEMBLY INSTRUCTIONS

# 1

Hardware ① x 10 pcs

Hardware ⑨ x 2 sets



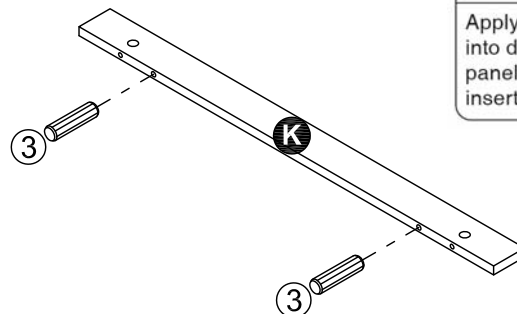
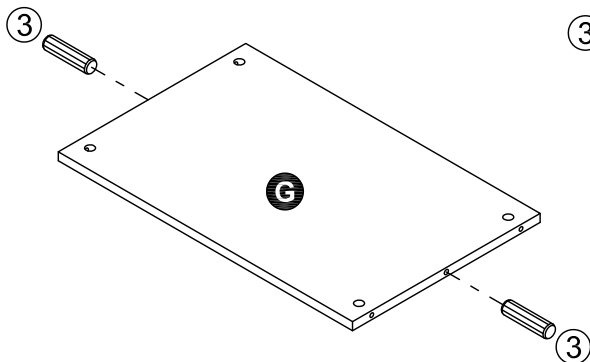
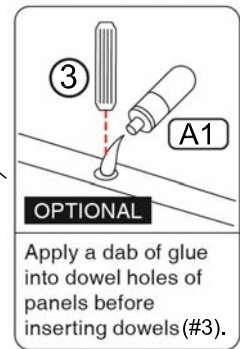
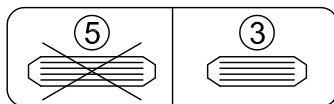
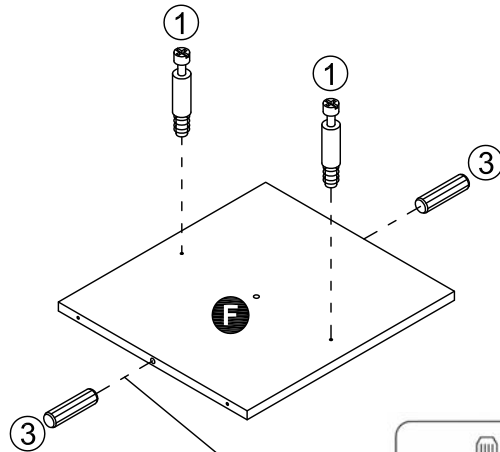
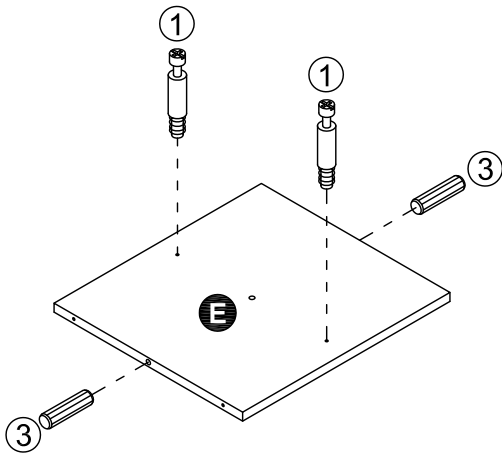
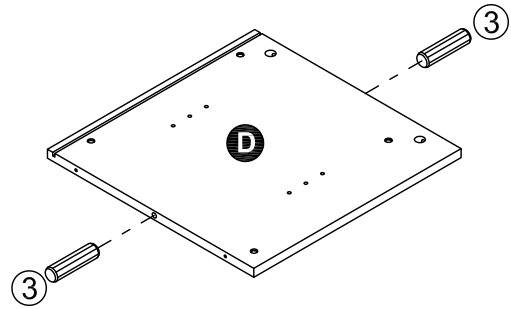
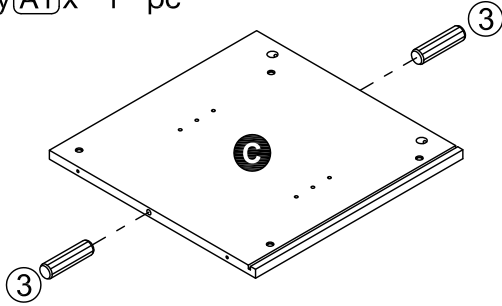
# ASSEMBLY INSTRUCTIONS

## 2

Hardware ① x 4 pcs

Hardware ③ x 12 pcs

Accessory (A1) x 1 pc



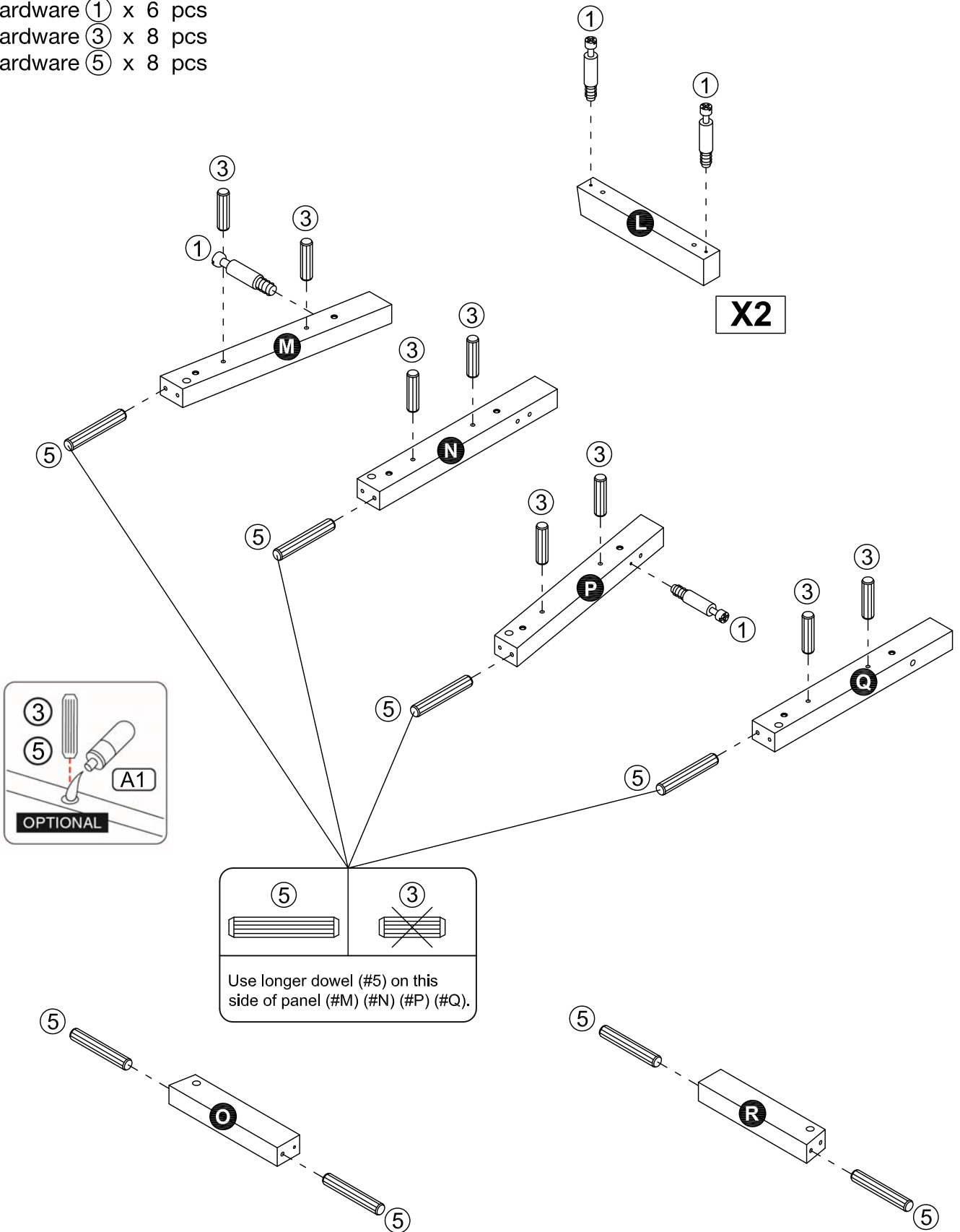
# ASSEMBLY INSTRUCTIONS

## 3

Hardware ① x 6 pcs

Hardware ③ x 8 pcs

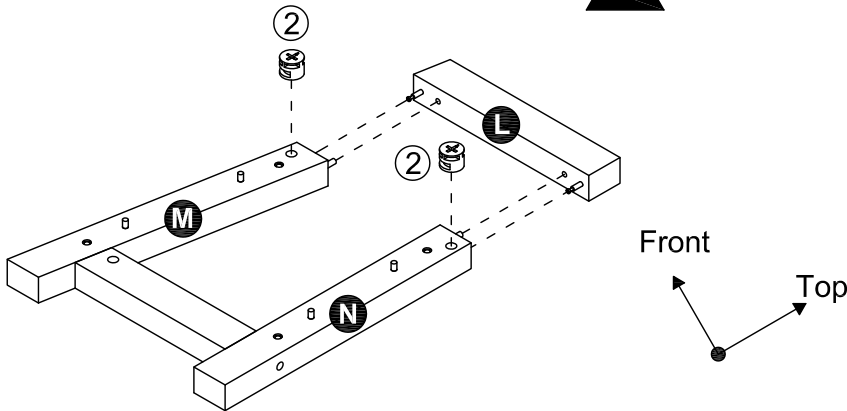
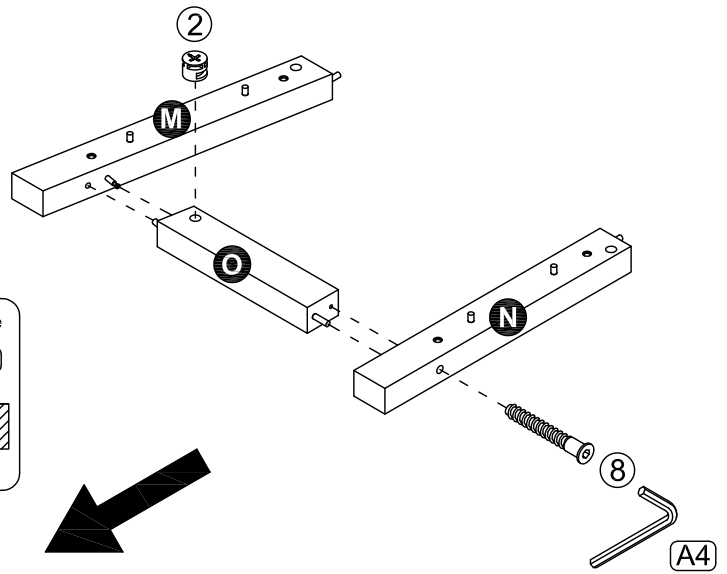
Hardware ⑤ x 8 pcs



# ASSEMBLY INSTRUCTIONS

## 4

- Part **L** x 2 pcs
- Part **M** x 1 pc
- Part **N** x 1 pc
- Part **O** x 1 pc
- Part **P** x 1 pc
- Part **Q** x 1 pc
- Part **R** x 1 pc
- Hardware **(2)** x 6 pcs
- Hardware **(8)** x 2 pcs
- Accessory **(A4)** x 1 pc



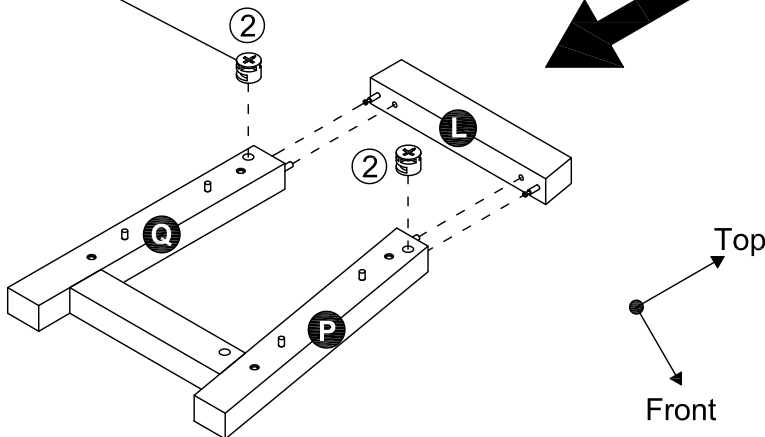
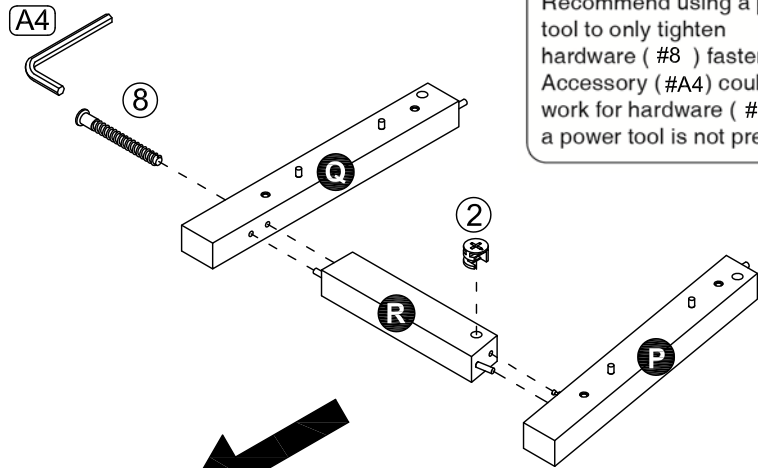
or

**A4**

**RECOMMEND**

Recommend using a power tool to only tighten hardware ( #8 ) faster. Accessory ( #A4 ) could also work for hardware ( #8 ) if a power tool is not present.

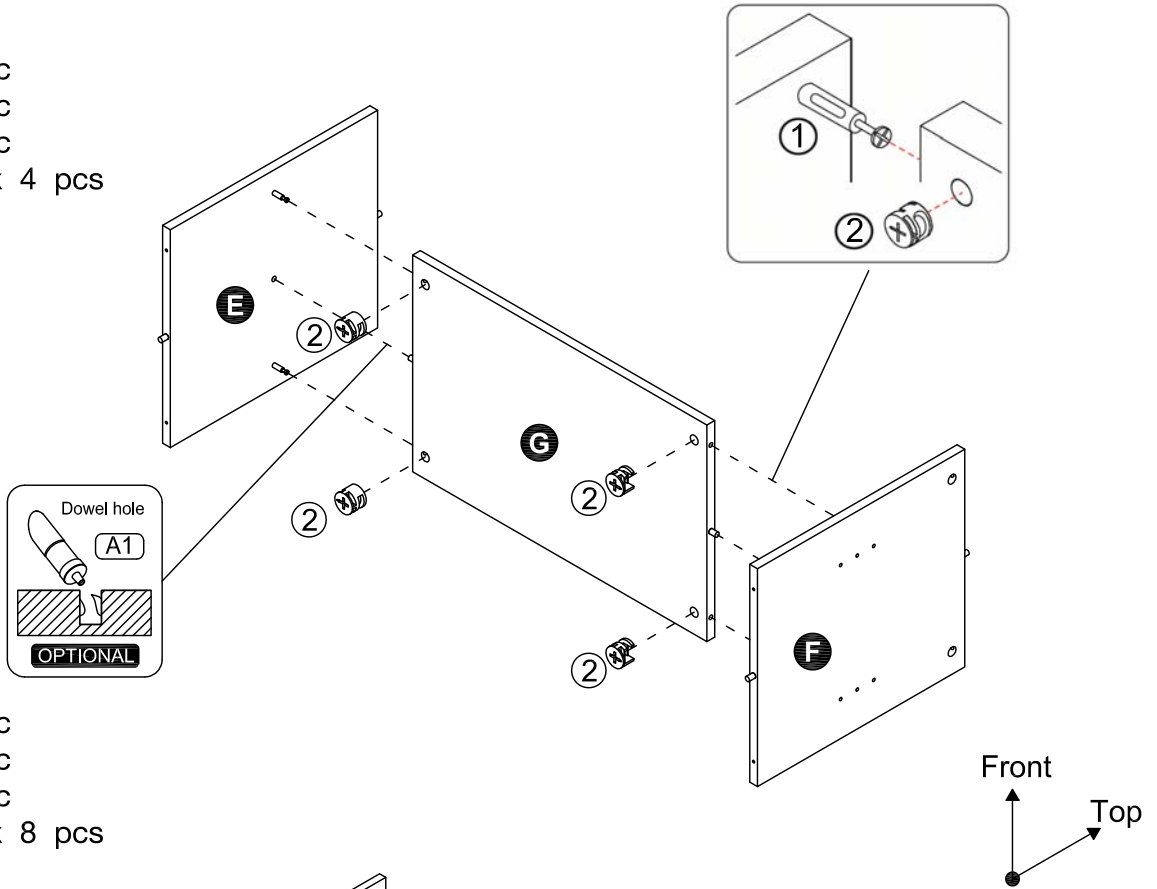
Please refer to Page 5 for detailed instructions on how to fasten cam locks (#2) to cam bolts (#1).



# ASSEMBLY INSTRUCTIONS

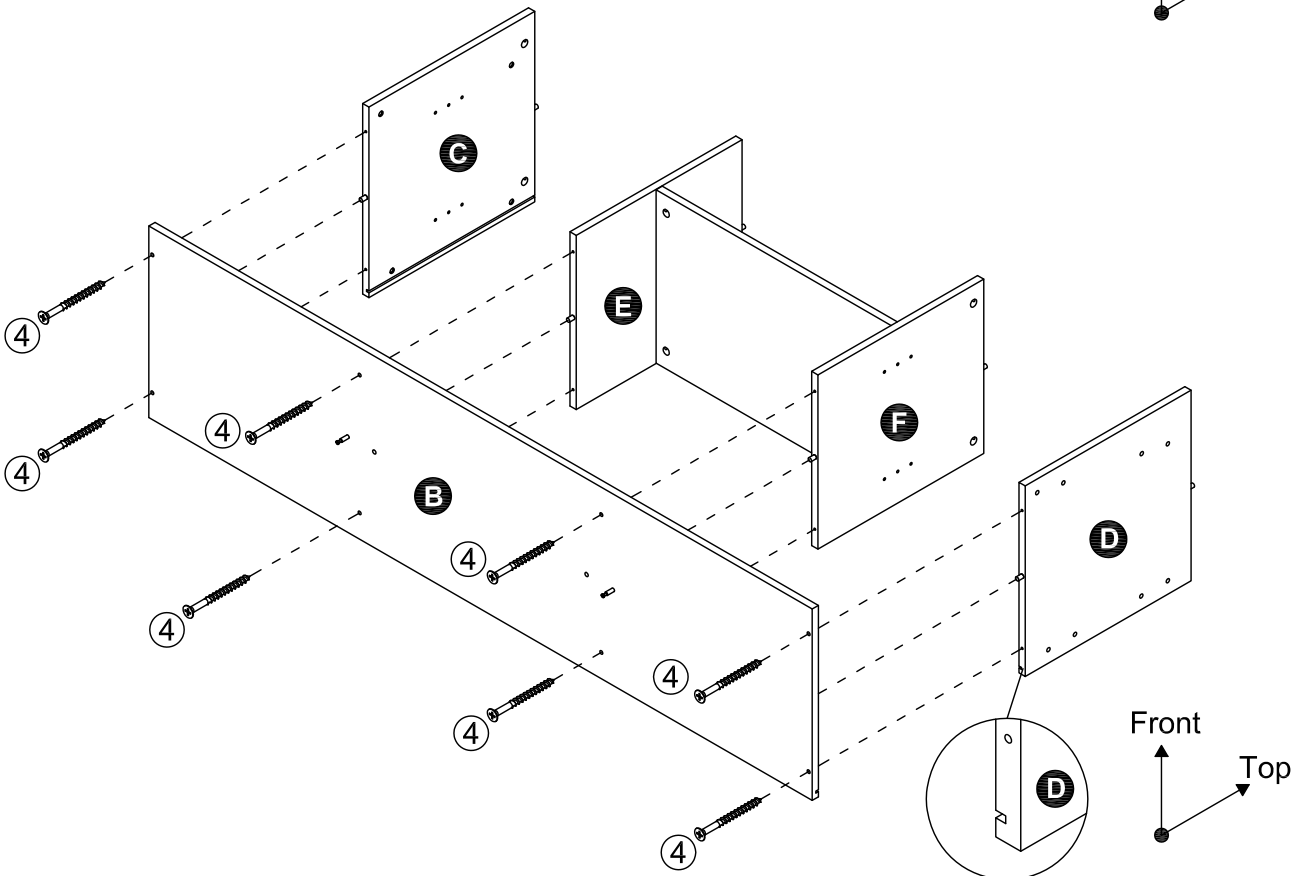
## 5

- Part **E** x 1 pc
- Part **F** x 1 pc
- Part **G** x 1 pc
- Hardware **2** x 4 pcs



## 6

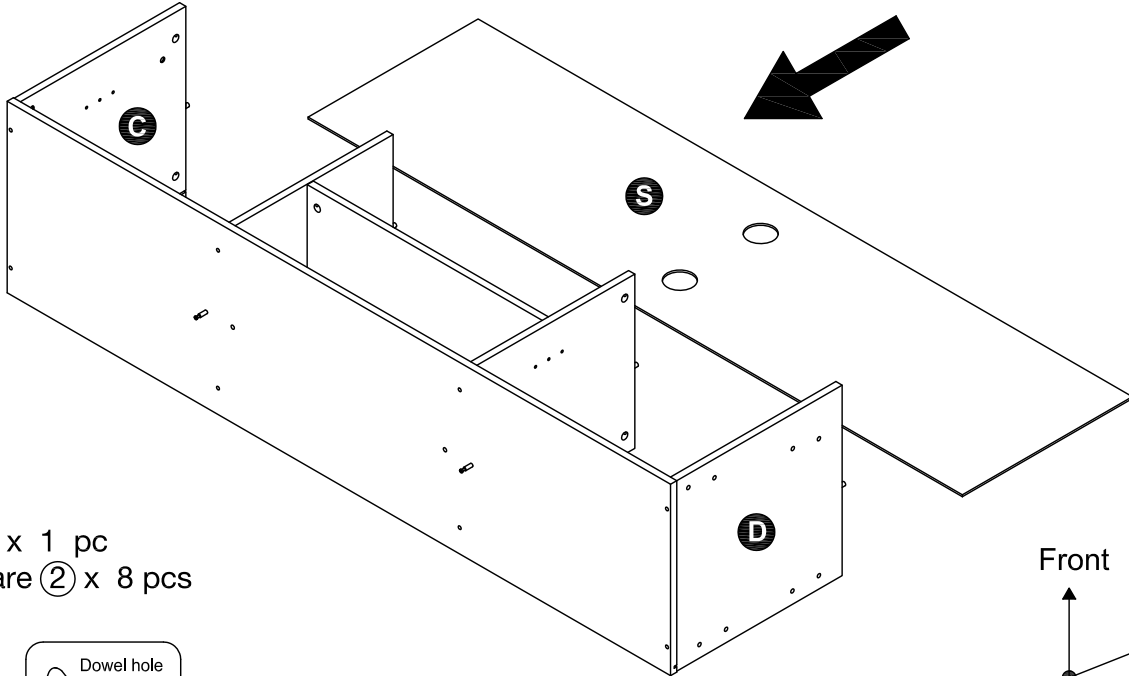
- Part **B** x 1 pc
- Part **C** x 1 pc
- Part **D** x 1 pc
- Hardware **4** x 8 pcs



# ASSEMBLY INSTRUCTIONS

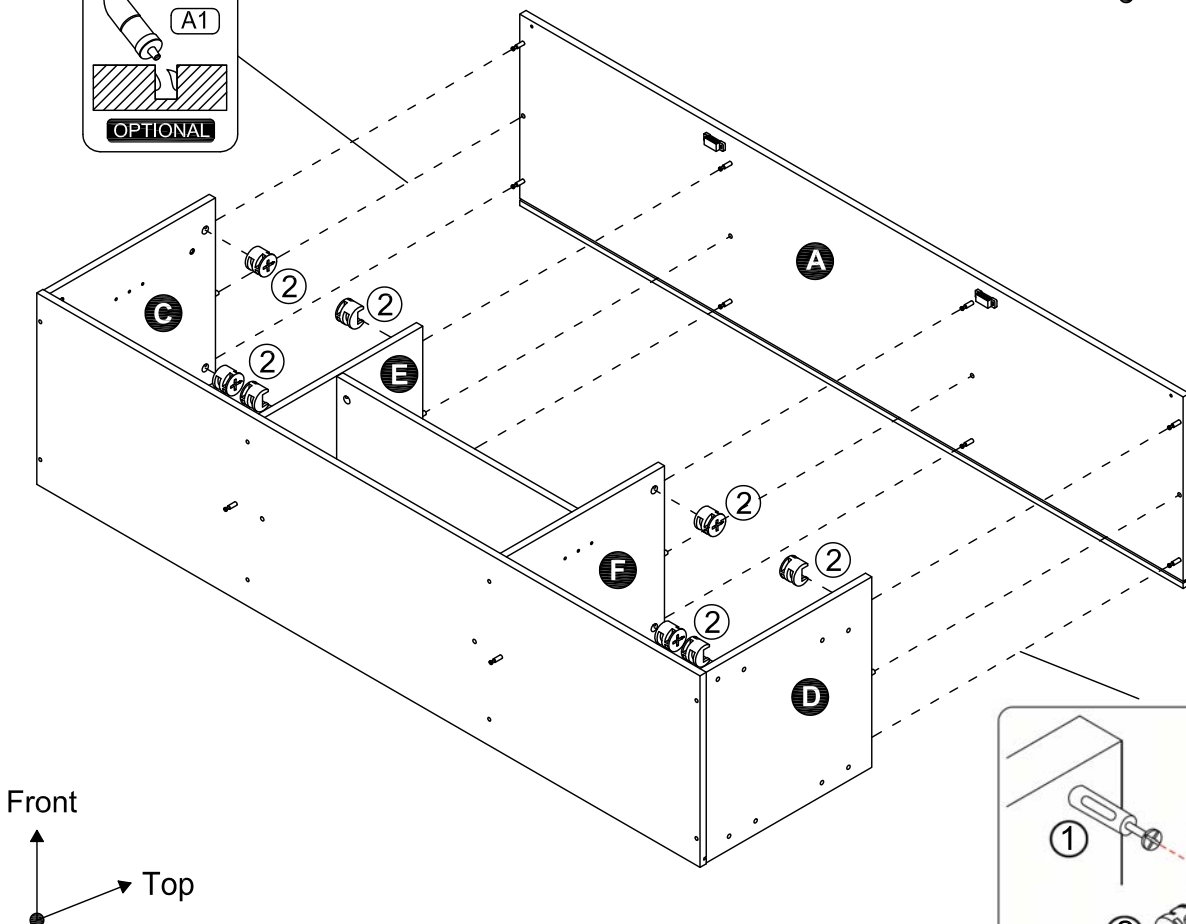
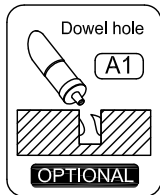
## 7

Part **S** x 1 pc



## 8

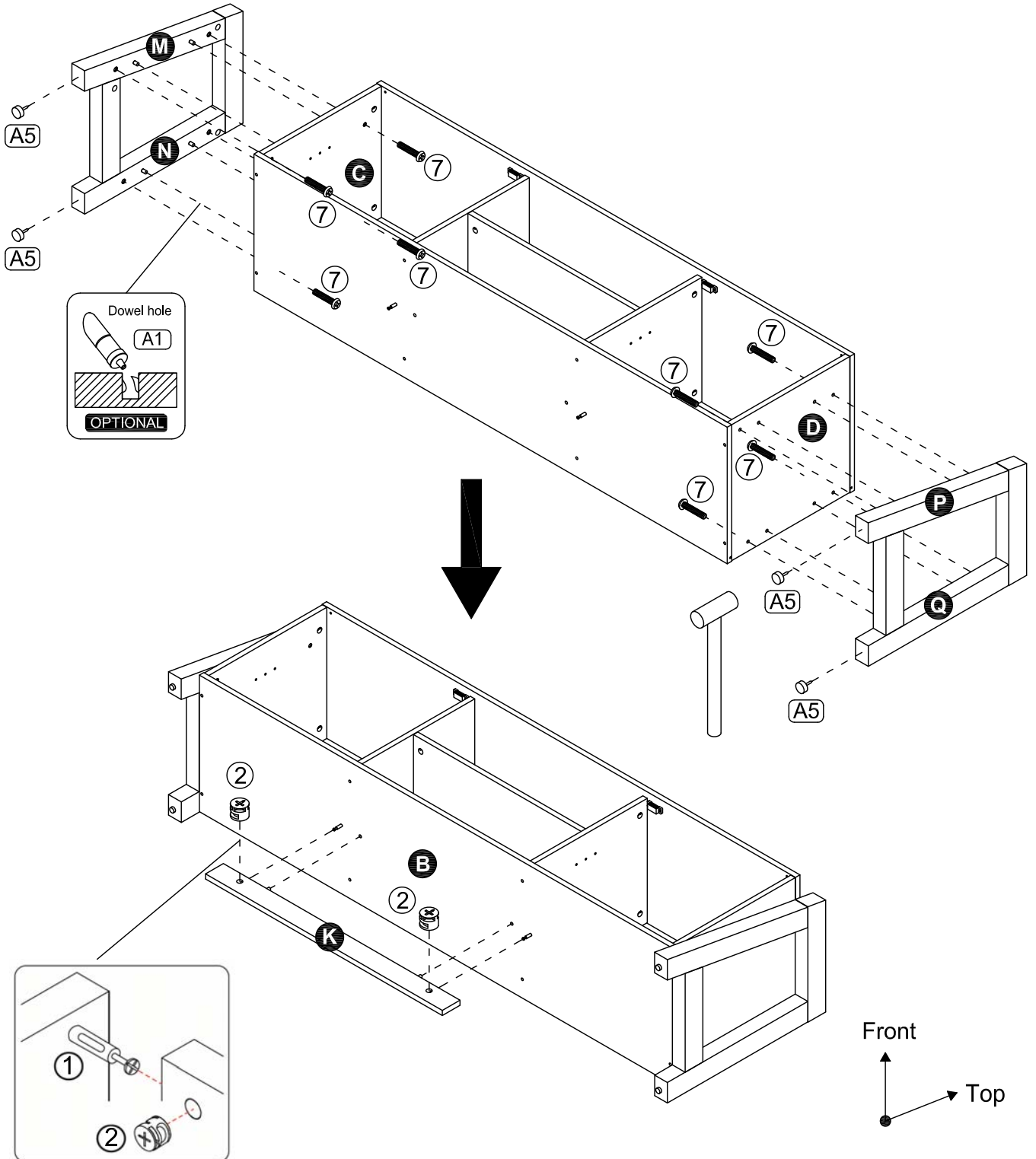
Part **A** x 1 pc  
Hardware **2** x 8 pcs



# ASSEMBLY INSTRUCTIONS

## 9

- Part **K** x 1 pc
- Hardware **2** x 2 pcs
- Hardware **7** x 8 pcs
- Accessory **A5** x 4 pcs



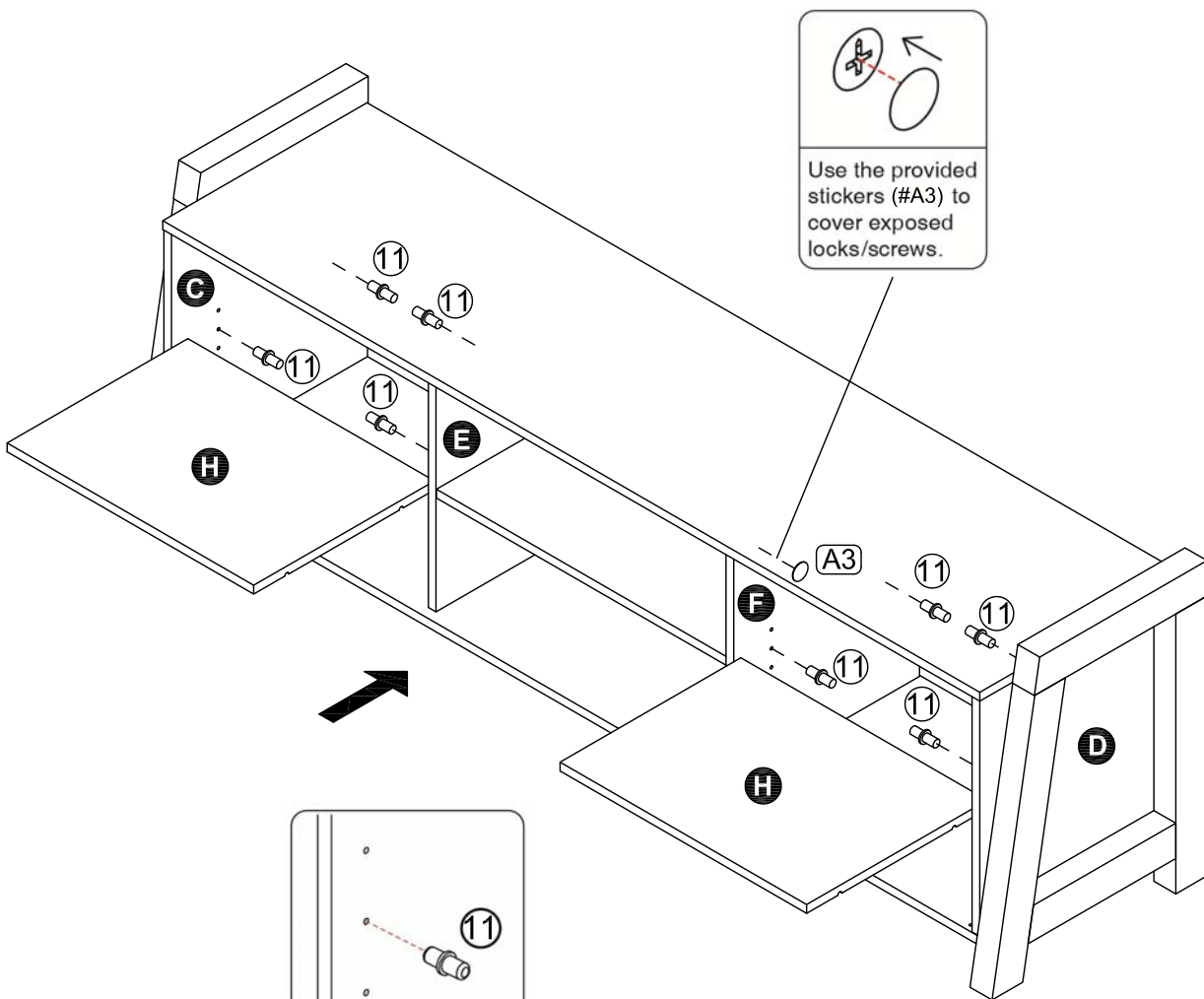
# ASSEMBLY INSTRUCTIONS

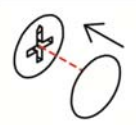
## 10

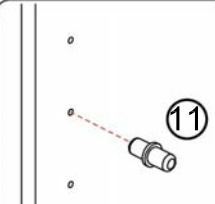
Part **H** x 2 pcs

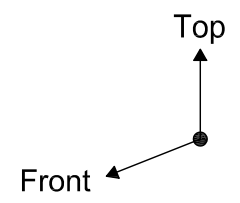
Hardware **(11)** x 8 pcs

Accessory **(A3)** x 14 pcs



  
Use the provided stickers (#A3) to cover exposed locks/screws.

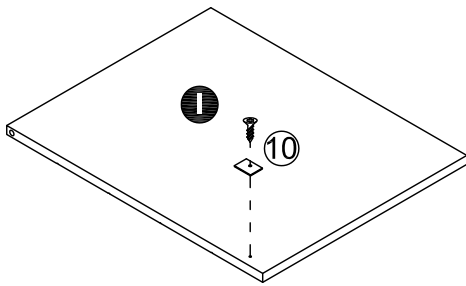
  
Attach shelf pins (#11) to the holes of the desired shelf height.



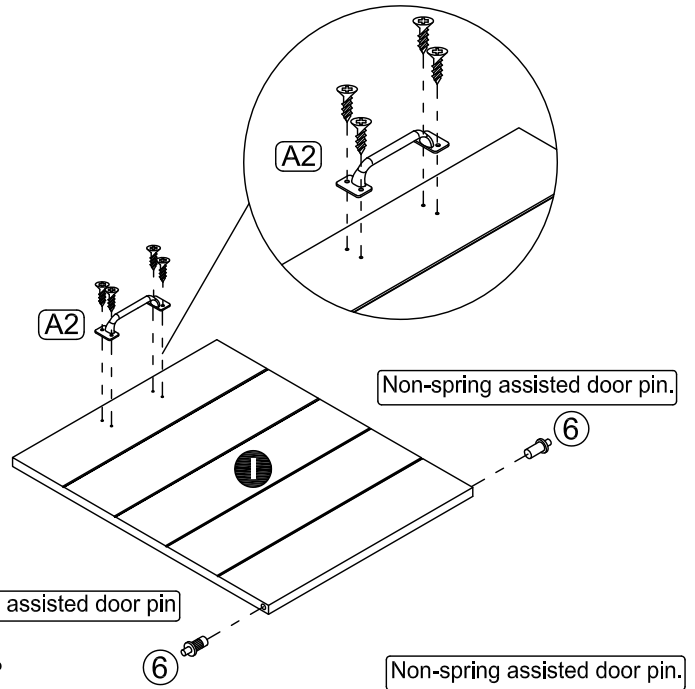
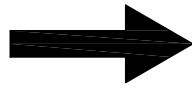
# ASSEMBLY INSTRUCTIONS

## 11

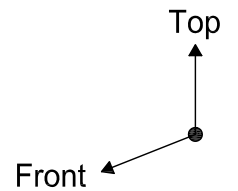
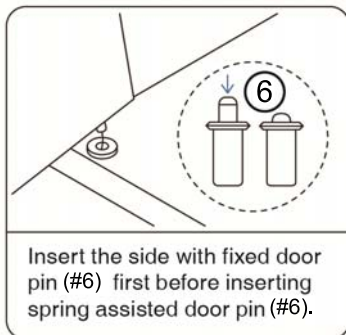
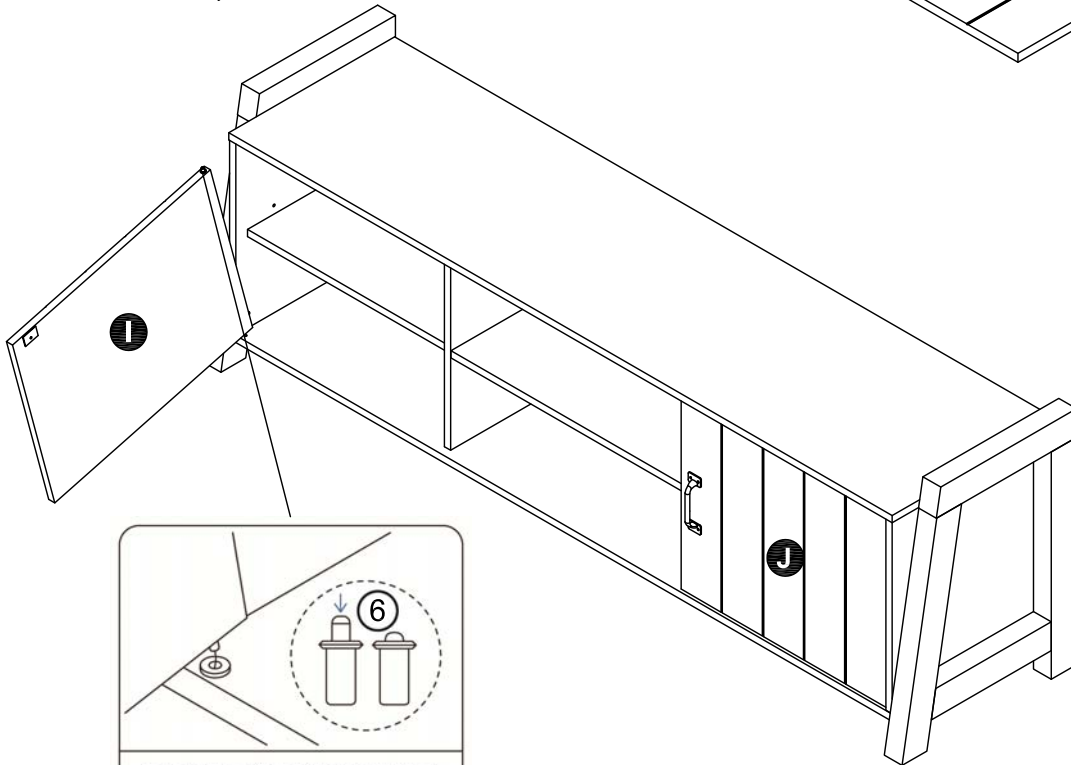
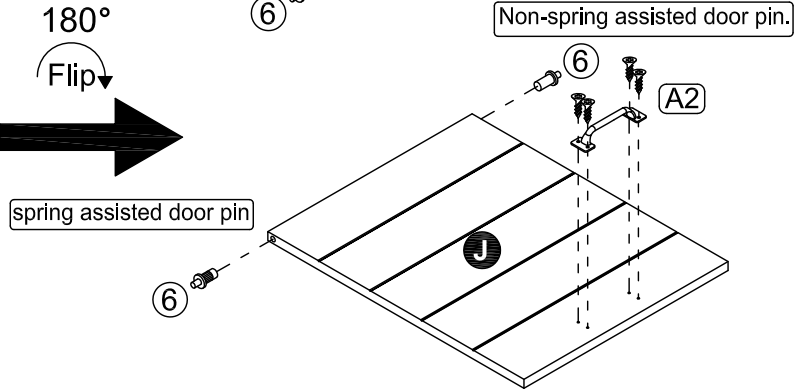
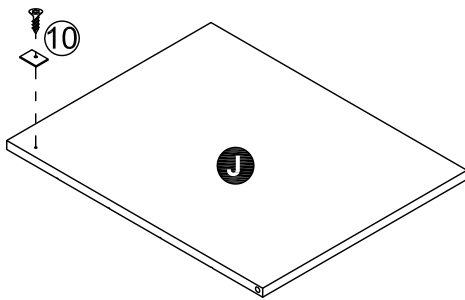
- Part **I** x 1 pc
- Part **J** x 1 pc
- Hardware **6** x 2 sets
- Hardware **10** x 2 sets
- Accessory **A2** x 2 sets



180°  
Flip



180°  
Flip



# ASSEMBLY INSTRUCTIONS

## 12

### ASSEMBLY COMPLETED



Please ensure the furniture rests on an even and flat surface. If the product wobbles or feels loose, double-check all bolts and/or screws are properly tightened and secured.

✓ **Keep this handy!**

Please retain this instruction manual and any order-related information for future reference.

✓ **Lift, don't drag!**

To avoid damage to product please always LIFT the product when transporting or adjusting the placement.

