

ASSEMBLY INSTRUCTIONS

TOOLS REQUIRED



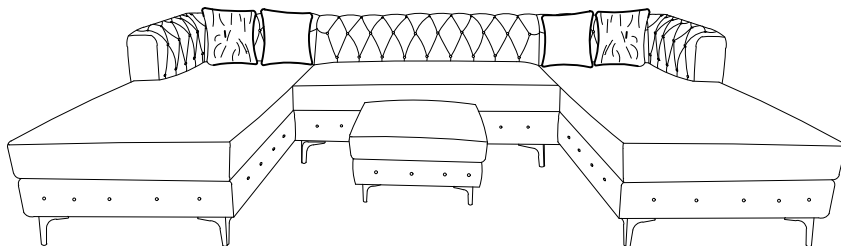
Allen Wrench

(Included)



Phillips
Screwdriver

(Not Included)



2 - People
Recommended

ASSEMBLY RATING



EASY —————> DIFFICULT

The Assembly Rating is a 5-point system showing the level of effort needed to assemble a specific product.



CHECK BEFORE STARTING

Are you missing anything?

Double-check all parts, hardware and accessories listed are all accounted for.

Check out our Quick Tips!

We recommend reviewing the pre-assembly handouts. Even experts need a refresher now and then!

Should we send any replacements?

Are there any irregularities or flaws in the parts? We can send replacements!

Prep Time!

Please review the assembly instructions and all diagrams prior to assembling.

PRE ASSEMBLY INTRODUCTION

We understand building ready-to-assemble furniture can be a challenging experience for some. To help avoid confusion, we have provided some helpful tips that may speed up the process.



Teamwork

ALWAYS have at least two people to help with transporting and assembling the product to avoid potential injury and/or damage.



Suitable Location

Assembling near the area of the intended location is highly recommended.



Sufficient Space

Make sure you have enough space to move around during the assembly.



Avoid Scratches

Use cardboard, blankets or a carpeted area while assembling furniture to prevent to prevent scratches and damages.



Flat Surface

Make sure the furniture rests on a flat and level surface with each leg evenly touching the floor.

ASSEMBLY AND CARE ADVICE



FAILURE TO FOLLOW THE GUIDELINES BELOW MAY RESULT IN INJURY AND/OR PROPERTY DAMAGE.



Position each part correctly and insert screws or bolts into their respective holes.



Turn clockwise to tighten and only tighten when step is completed or when instructed to do so.



Use the appropriate hand tools or power tools for assembly. Select steps, such as tightening screws and/or bolts, may require hand tools to avoid causing damage during assembly.



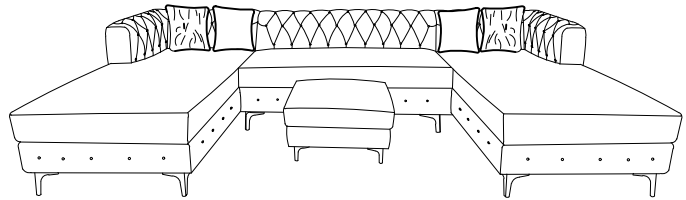
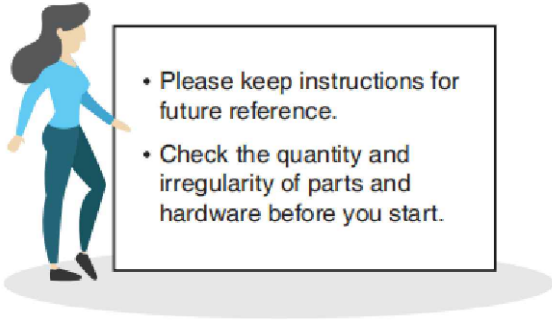
Save the instructions and store any supplied tools for later maintenance.



After two weeks, check and tighten any loose hardware and repeat again every six months thereafter.

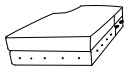
IT IS THE USER'S RESPONSIBILITY TO MAINTAIN THE FURNITURE. THE HARDWARE MAY LOOSEN OVER TIME AND MAY CAUSE THE FURNITURE TO BE WOBBLY AND UNABLE TO SUPPORT ITS INTENDED WEIGHT CAPACITY. THIS MAY LEAD TO COLLAPSE AND MAY CAUSE SERIOUS INJURY.

SOFA



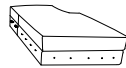
PARTS

#1 1pc



Left chaise

#2 1pc



Right chaise

#3 1pc



Sofa

#4 1pc



Left armrest

#5 1pc



Right armrest

#6 1pc



Left backrest

#7 1pc



Right backrest

#8 1pc



Sofa backrest

#9 2pcs



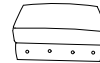
Pillow

#10 2pcs



Feather pillow

#11 1pc



Ottoman

HARDWARE

#A 72pcs



Screw M5 x 30mm

#B 18pcs



Legs

#C 12pcs



Bolt Ø5/16"x3"

#D 36pcs



Bolt Ø5/16"x1-1/4"

#E 48pcs



Lock Washer
Ø5/16"

#F 36pcs



Flat Washer
Ø5/16" x 19mm

#G 12pcs



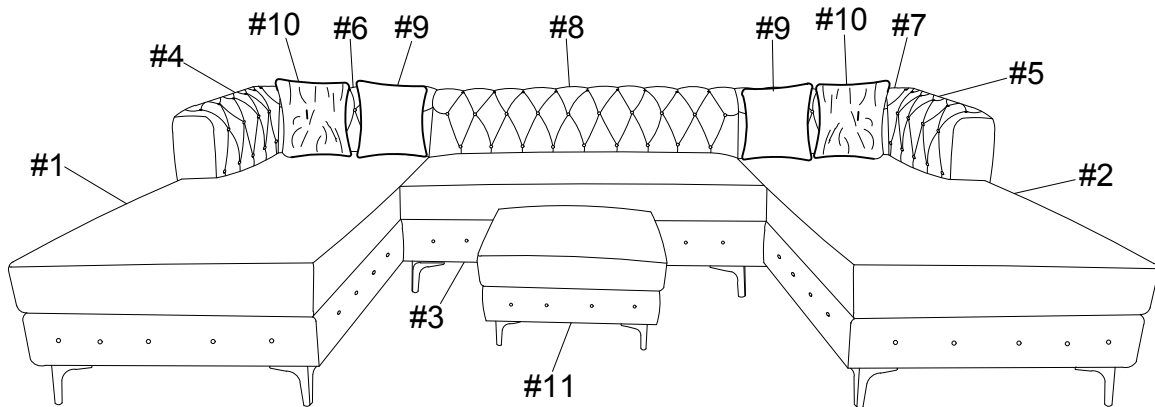
Flat Washer
Ø5/16" x 22mm

#H 4pcs



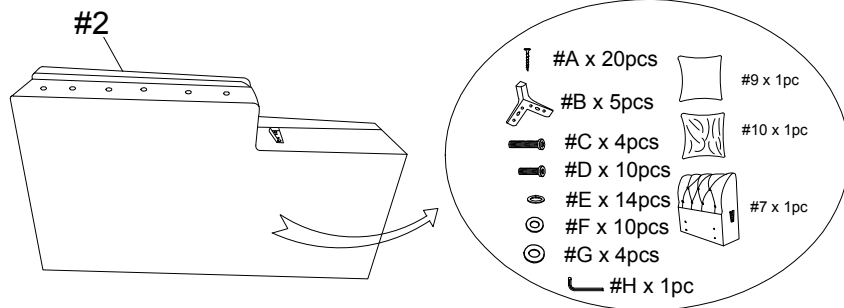
Allen wrench 5mm

Exploded View

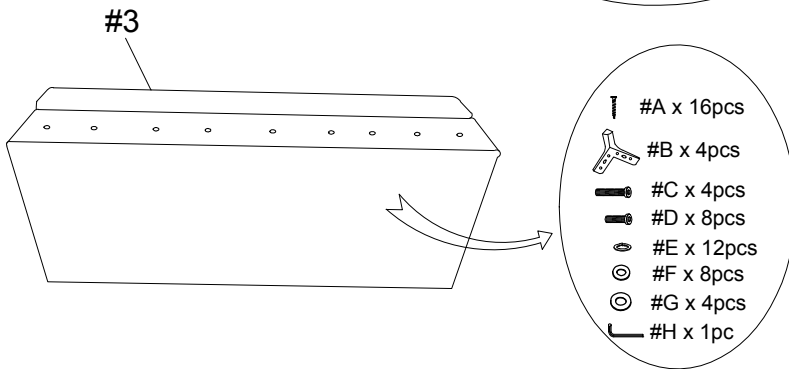


ASSEMBLY INSTRUCTIONS

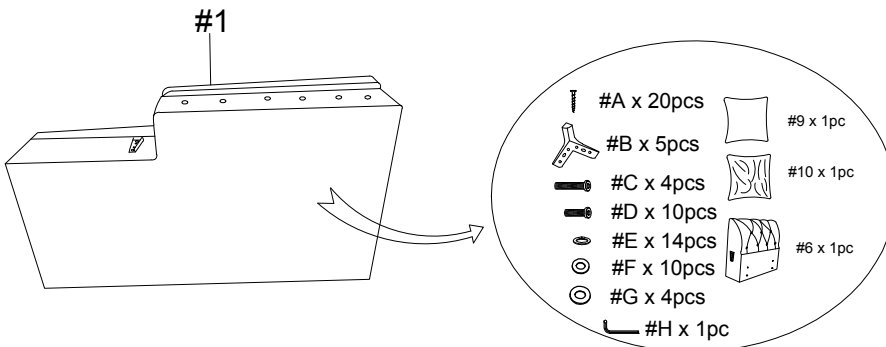
1



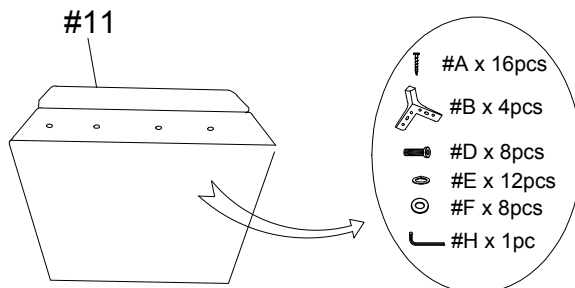
Remove parts from the hidden compartments under the chaise (#2) and sofa (#3).



2



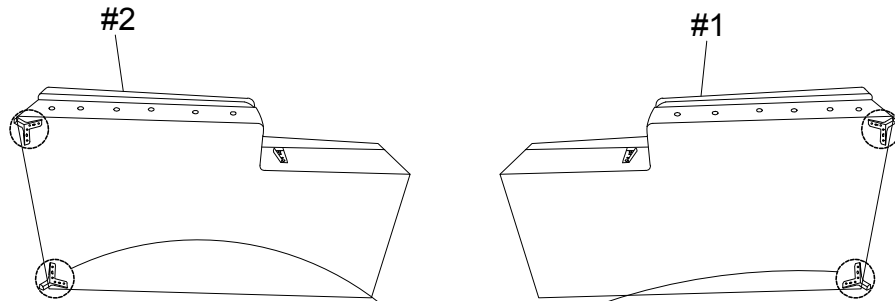
Remove parts from the hidden compartments under chaise (#1) and the ottoman (#11).



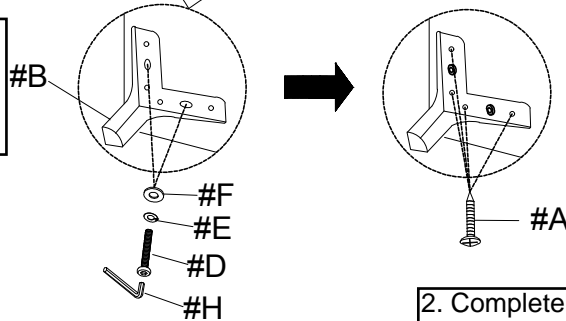
ASSEMBLY INSTRUCTIONS

3

- Part #1 x1pc
- Part #2 x1pc
- Hardware #A x16pcs
- Hardware #E x4pcs
- Hardware #D x8pcs
- Hardware #E x8pcs
- Hardware #F x8pcs



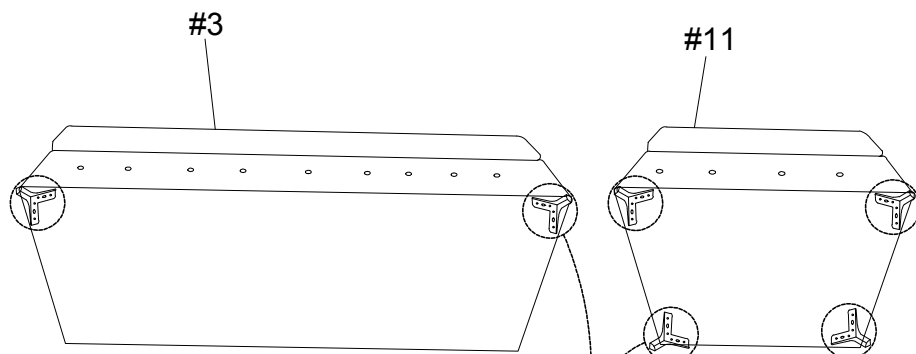
1. Align legs(#B) to the bottom of the chaise (#1,2), then secure by using bolts (#D) with lock washers (#E,F).



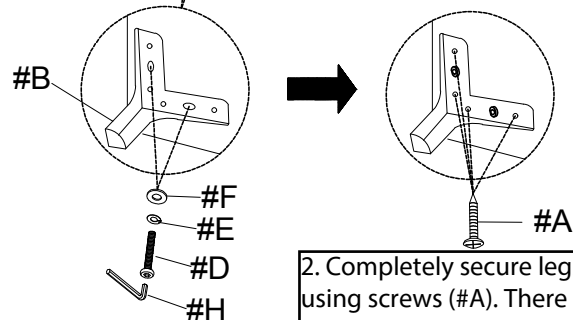
2. Completely secure legs (#B) by using screws (#A). There may not be pre-drilled

4

- Part #3 x1pc
- Part #11 x1pc
- Hardware #A x24pcs
- Hardware #E x6pcs
- Hardware #D x12pcs
- Hardware #E x12pcs
- Hardware #F x12pcs



1. Align legs(#B) to the bottom of the sofa and ottoman (#3,11), then secure by using bolts (#D) with lock washers (#E,F).

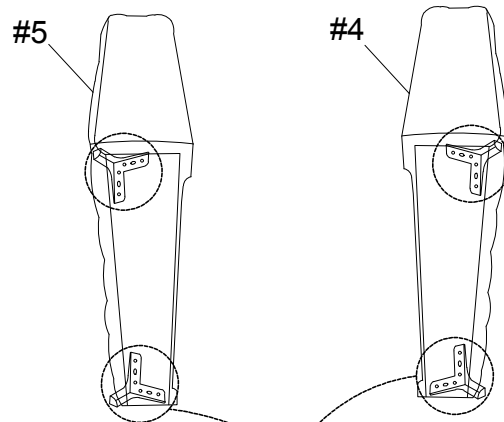


2. Completely secure legs (#B) by using screws (#A). There may not be pre-drilled holes.

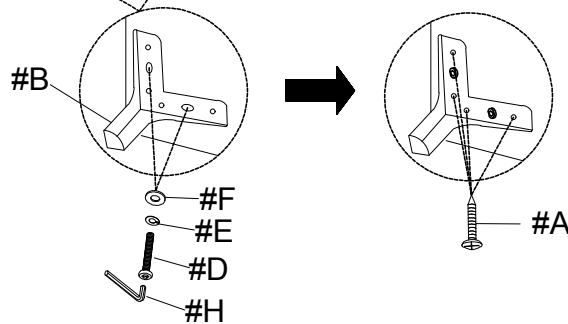
ASSEMBLY INSTRUCTIONS

5

- Part #4 x1pc
- Part #5 x1pc
- Hardware #A x16pcs
- Hardware #B x4pcs
- Hardware #D x8pcs
- Hardware #E x8pcs
- Hardware #F x8pcs



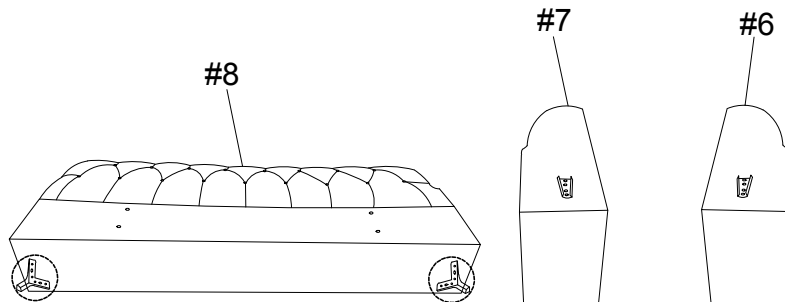
1. Align legs (#B) to the bottom of the sofa and ottoman (#4,5), then secure by using bolts (#D) with lock washers (#E,F).



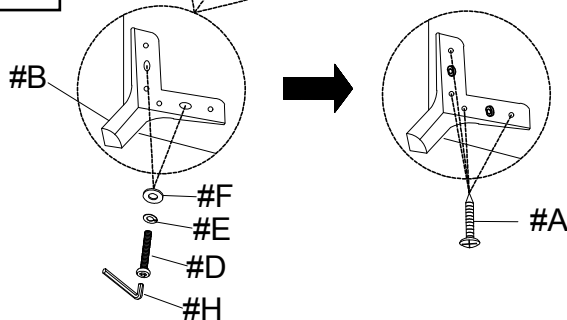
2. Completely secure legs (#B) by using screws (#A). There may not be pre-drilled holes.

6

- Part #4 x1pc
- Part #5 x1pc
- Hardware #A x16pcs
- Hardware #B x4pcs
- Hardware #D x8pcs
- Hardware #E x8pcs
- Hardware #F x8pcs



1. Align legs(#B) to the bottom of the sofa backrest (#8) and left/right backrests(#6,7),then secure by using bolts (#D) with lock washers (#E,F).



2. Completely secure legs (#B) by using screws (#A). There may not be pre-drilled holes.

ASSEMBLY INSTRUCTIONS

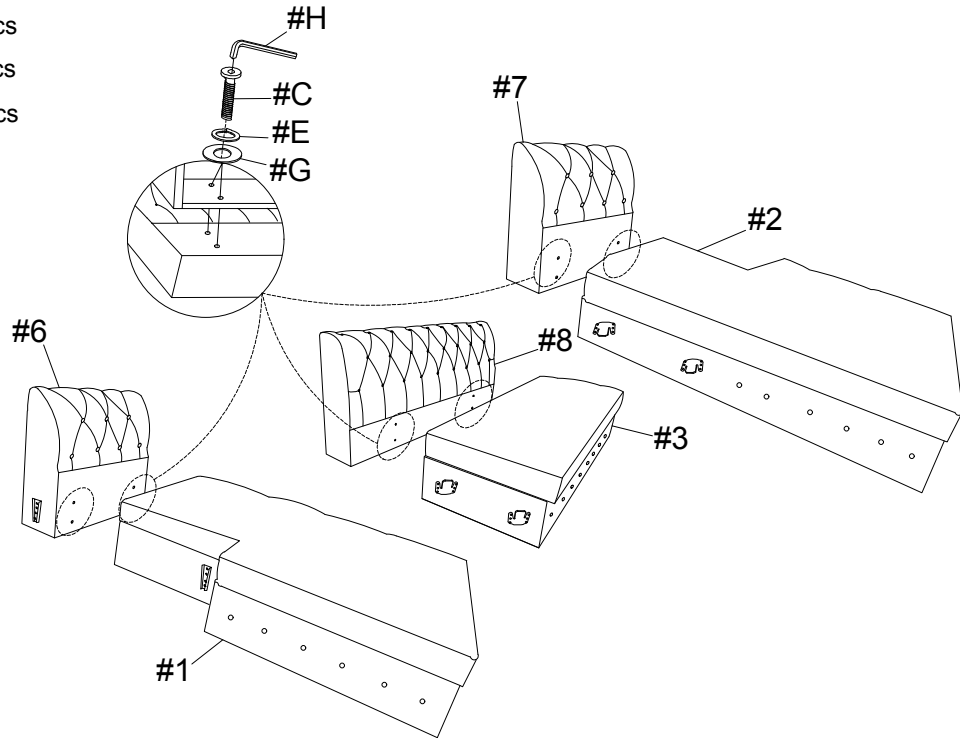
7

Align and attach backrests (#6,7,8) to the chaise and sofa (#1,2,3) using bolt (#C) with lock washers (#E,G).

Hardware #C x12pcs

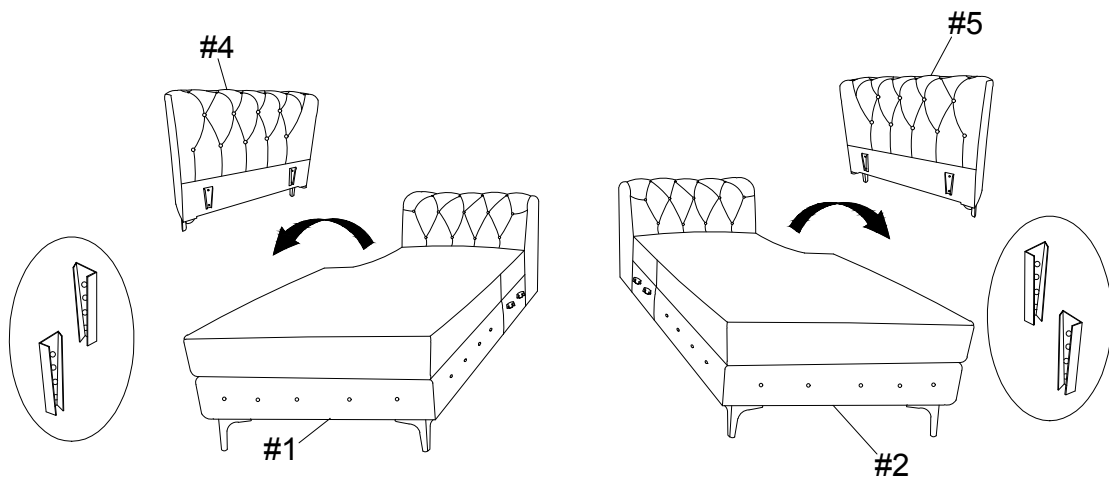
Hardware #E x12pcs

Hardware #G x12pcs



8

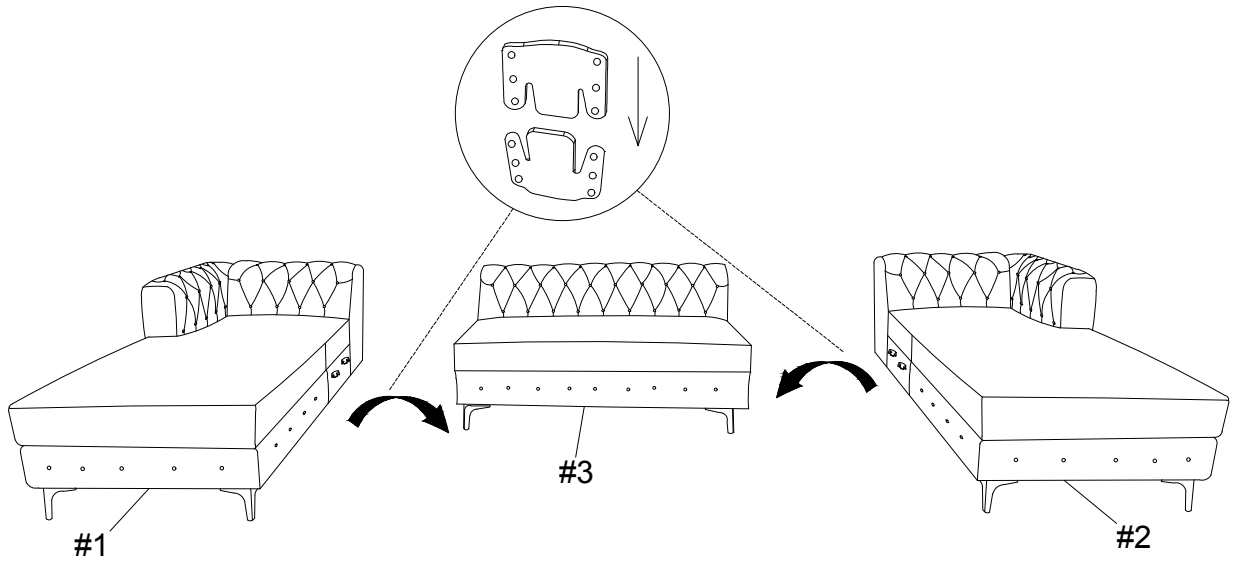
Align and attach the brackets of the armrests (#4,5) to the bracket of the left/right chaise (#1,2).



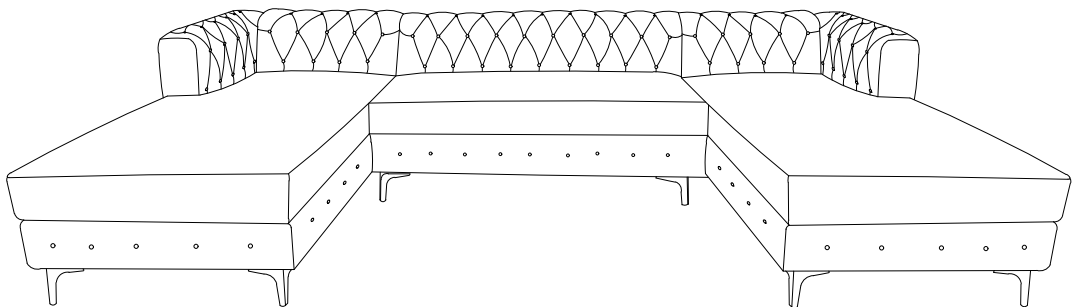
ASSEMBLY INSTRUCTIONS

9

Align and attach the brackets of the left chaise (#1) to the brackets on the left side of the sofa (#3).
Align and attach the brackets of the right chaise (#2) to the brackets on the right side of the sofa (#3).

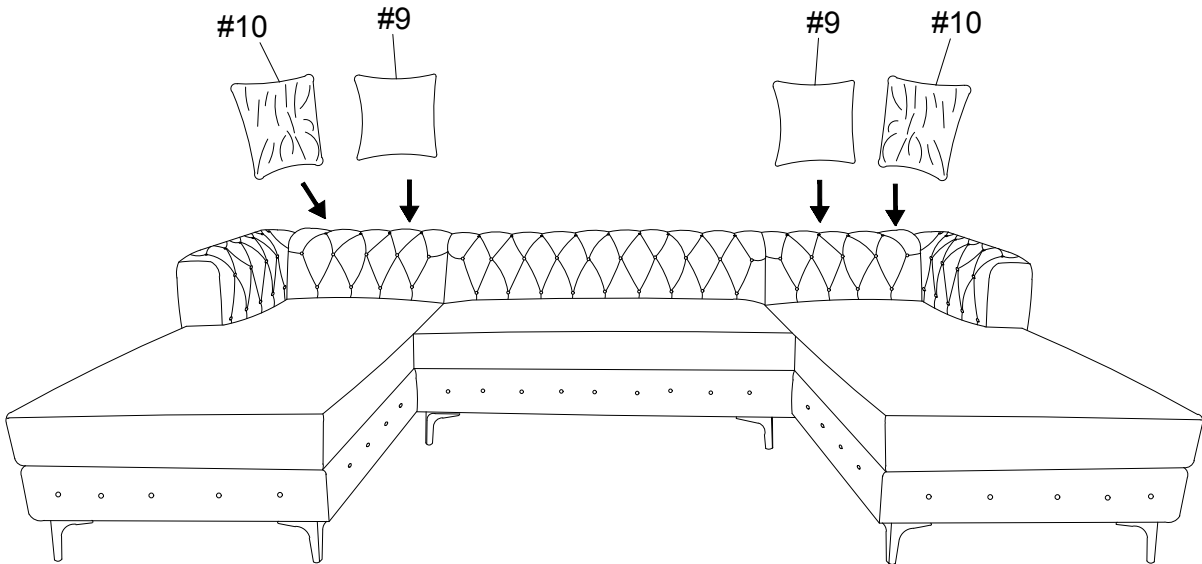


10

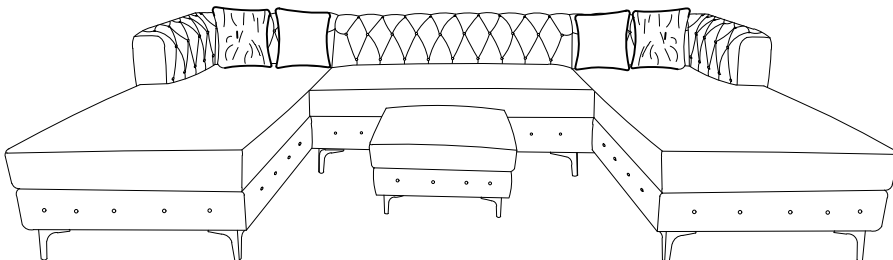


ASSEMBLY INSTRUCTIONS

11



12



ASSEMBLY COMPLETED



Please ensure the furniture rests on an even and flat surface. If the product wobbles or feels loose, double-check all bolts and/or screws are properly tightened and secured.



Keep this handy!

Please retain this instruction manual and any order-related information for future reference.



Lift, don't drag!

To avoid damage to product please always LIFT the product when transporting or adjusting the placement.