

ASSEMBLY INSTRUCTIONS

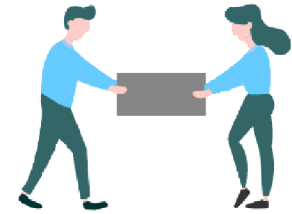


TOOLS REQUIRED



Allen Wrench

(Included)



**2 - People
Recommended**

ASSEMBLY RATING



EASY ————— DIFFICULT

The Assembly Rating is a 5-point system showing the level of effort needed to assemble a specific product.



CHECK BEFORE STARTING

Are you missing anything?

Double-check all parts, hardware and accessories listed are all accounted for.

Check out our Quick Tips!

We recommend reviewing the pre-assembly handouts. Even experts need a refresher now and then!

Should we send any replacements?

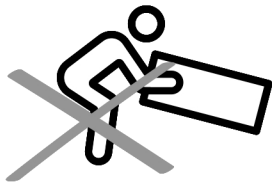
Are there any irregularities or flaws in the parts? We can send replacements!

Prep Time!

Please review the assembly instructions and all diagrams prior to assembling.

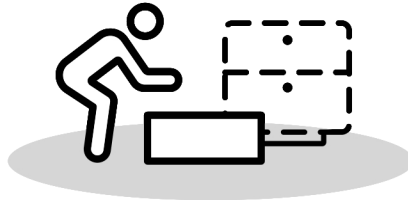
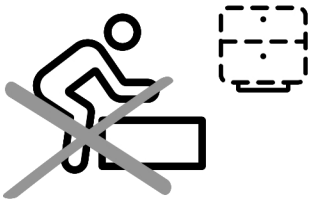
PRE ASSEMBLY INTRODUCTION

We understand building ready-to-assemble furniture can be a challenging experience for some. To help avoid confusion, we have provided some helpful tips that may speed up the process.



Teamwork

ALWAYS have at least two people to help with transporting and assembling the product to avoid potential injury and/or damage.



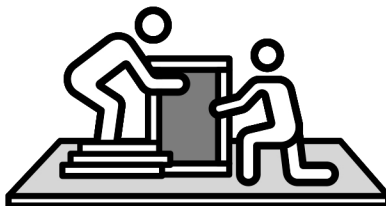
Suitable Location

Assembling near the area of the intended location is highly recommended.



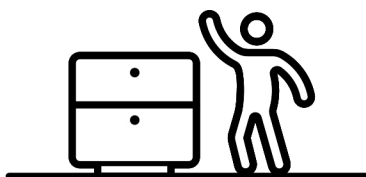
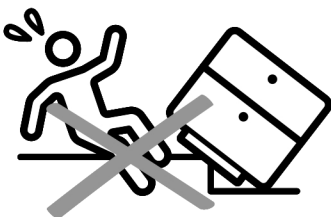
Sufficient Space

Make sure you have enough space to move around during the assembly.



Avoid Scratches

Use cardboard, blankets or a carpeted area while assembling furniture to prevent to prevent scratches and damages.



Flat Surface

Make sure the furniture rests on a flat and level surface with each leg evenly touching the floor.

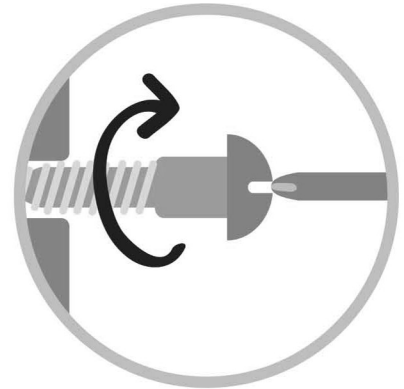
ASSEMBLY AND CARE ADVICE



FAILURE TO FOLLOW THE GUIDELINES BELOW MAY RESULT IN INJURY AND/OR PROPERTY DAMAGE.



Position each part correctly and insert screws or bolts into their respective holes.



Turn clockwise to tighten and only tighten when step is completed or when instructed to do so.



Save the instructions and store any supplied tools for later maintenance.

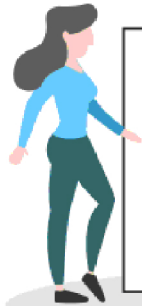
Use the appropriate hand tools or power tools for assembly. Select steps, such as tightening screws and/or bolts, may require hand tools to avoid causing damage during assembly.



After two weeks, check and tighten any loose hardware and repeat again every six months thereafter.

IT IS THE USER'S RESPONSIBILITY TO MAINTAIN THE FURNITURE. THE HARDWARE MAY LOOSEN OVER TIME AND MAY CAUSE THE FURNITURE TO BE WOBBLY AND UNABLE TO SUPPORT ITS INTENDED WEIGHT CAPACITY. THIS MAY LEAD TO COLLAPSE AND MAY CAUSE SERIOUS INJURY.

DINING TABLE



- Please keep instructions for future reference.
- Check the quantity and irregularity of parts and hardware before you start.



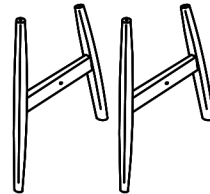
PARTS

#1 1pc



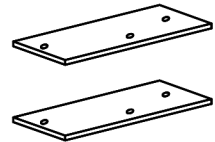
Table Top

#2 2pcs



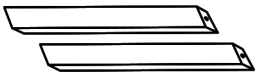
Leg Frame

#3 2pcs



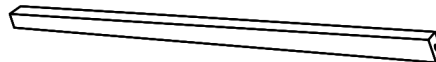
Mounting Plate

#4 2pcs



Support Rail

#5 1pc



Center Support Rail

HARDWARE

#A 6pcs



Jcbc Screw
M6 x 30mm

#B 8pcs



Jcbc Screw
M6 x 40mm

#C 2pcs



Jcbc Screw
M6 x 60mm

#D 16pc



Lock Washer
1/4"

#E 1pc



Allen Key
M4

#F 2pcs



Barrel Nut
M6 x 13mm

ASSEMBLY INSTRUCTIONS

1

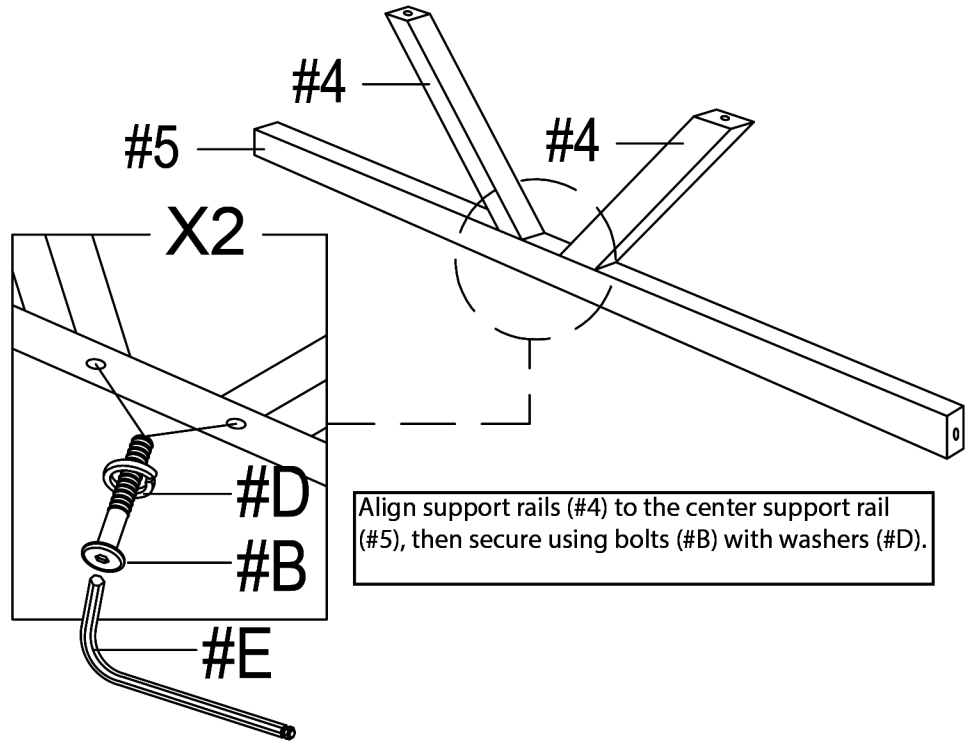
Part #4 x2pcs

Part #5 x1pc

Hardware #B x2pcs

Hardware #D x2pcs

Hardware #E x1pc



2

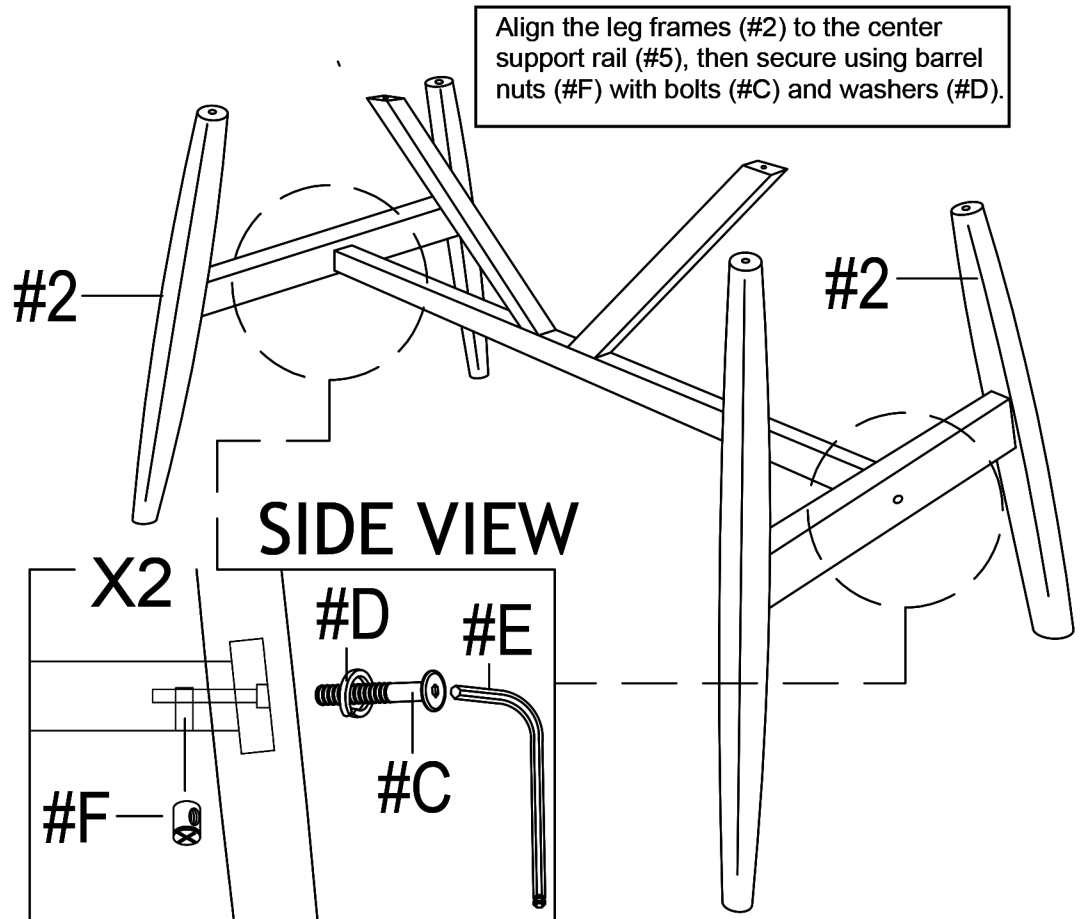
Part #2 x2pcs

Hardware #C x2pcs

Hardware #D x2pcs

Hardware #E x1pc

Hardware #F x2pcs

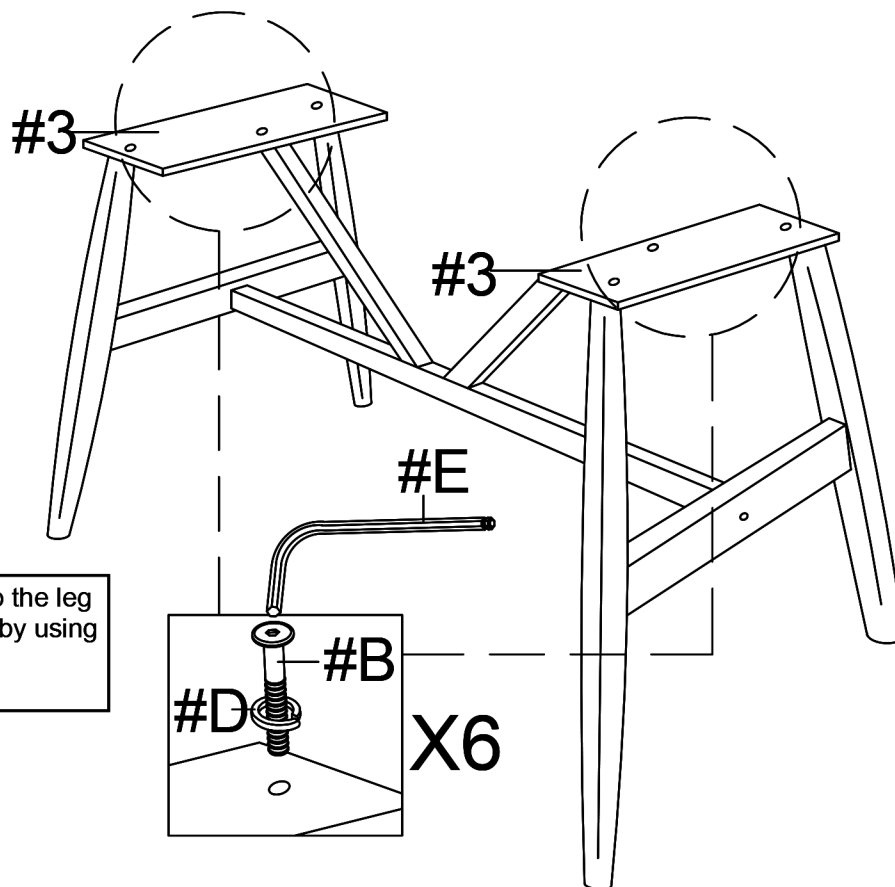


ASSEMBLY INSTRUCTIONS

3

- Part (#3) x2pcs
- Hardware (#B) x6pcs
- Hardware (#D) x6pcs
- Hardware (#E) x1pc

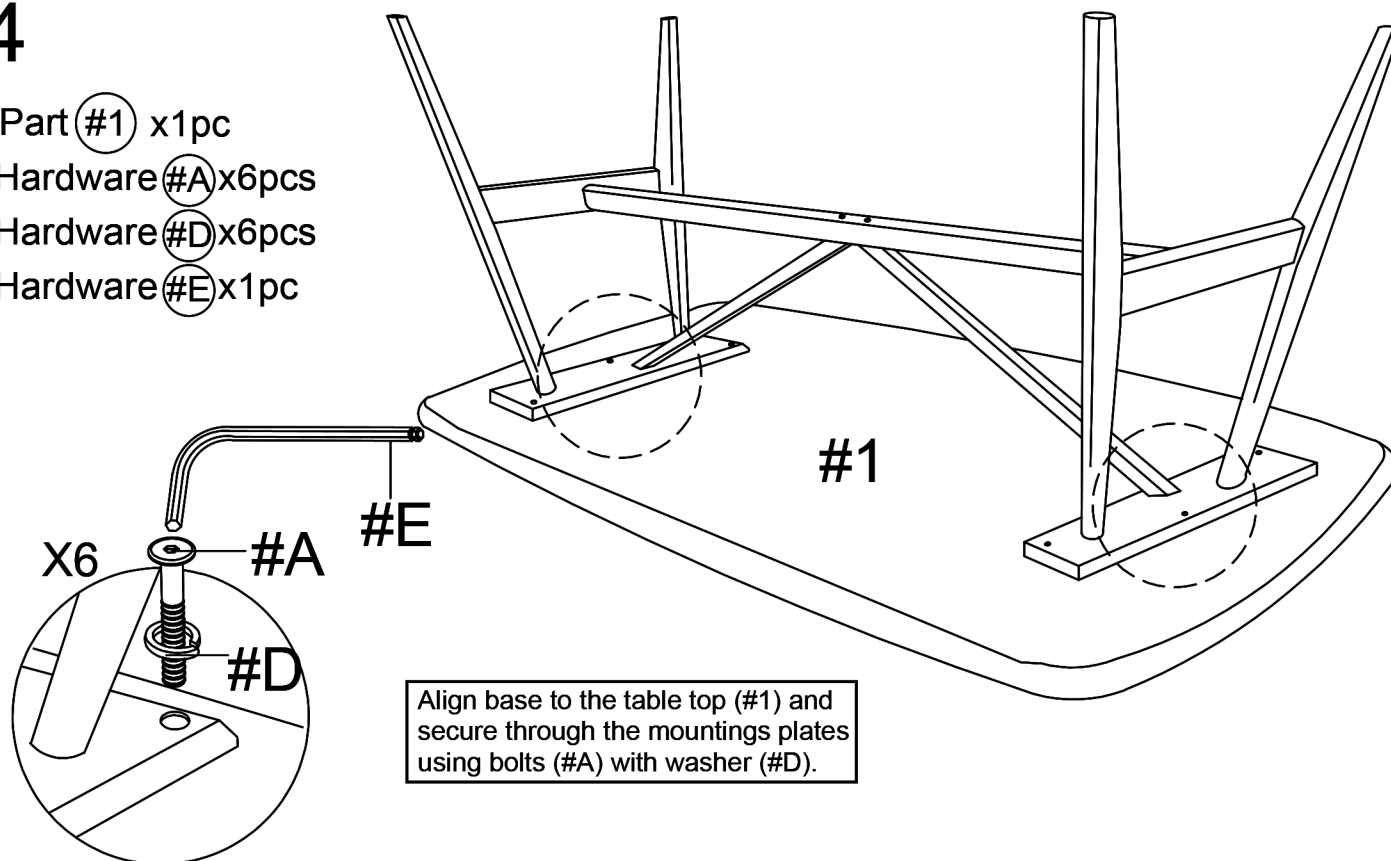
Secure the mounting plates (#3) to the leg frames (#4) and support rails (#5) by using bolts (#B) with washer (#D).



4

- Part (#1) x1pc
- Hardware (#A) x6pcs
- Hardware (#D) x6pcs
- Hardware (#E) x1pc

Align base to the table top (#1) and secure through the mountings plates using bolts (#A) with washer (#D).



ASSEMBLY INSTRUCTIONS

5



ASSEMBLY COMPLETED



Please ensure the furniture rests on an even and flat surface. If the product wobbles or feels loose, double-check all bolts and/or screws are properly tightened and secured.



Keep this handy!

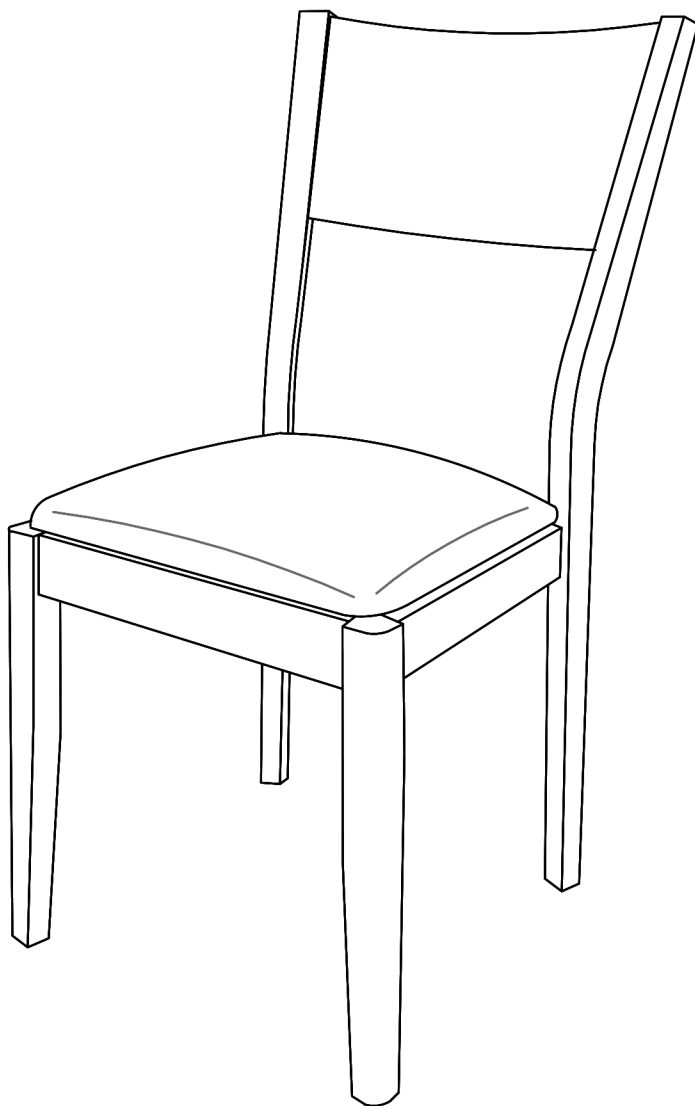
Please retain this instruction manual and any order-related information for future reference.



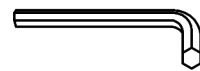
Lift, don't drag!

To avoid damage to product please always LIFT the product when transporting or adjusting the placement.

ASSEMBLY INSTRUCTIONS

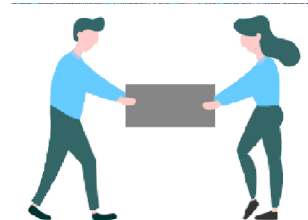


TOOLS REQUIRED



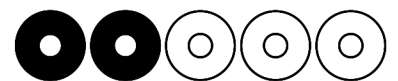
Allen Wrench

(Included)



**2 - People
Recommended**

ASSEMBLY RATING



EASY —————> DIFFICULT

The Assembly Rating is a 5-point system showing the level of effort needed to assemble a specific product.



CHECK BEFORE STARTING

Are you missing anything?

Double-check all parts, hardware and accessories listed are all accounted for.

Check out our Quick Tips!

We recommend reviewing the pre-assembly handouts. Even experts need a refresher now and then!

Should we send any replacements?

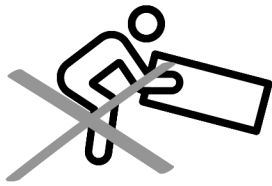
Are there any irregularities or flaws in the parts? We can send replacements!

Prep Time!

Please review the assembly instructions and all diagrams prior to assembling.

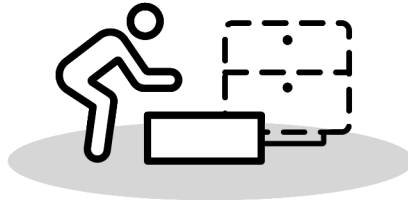
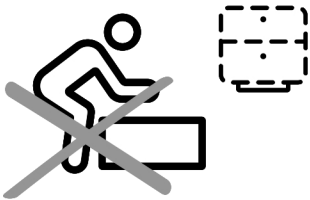
PRE ASSEMBLY INTRODUCTION

We understand building ready-to-assemble furniture can be a challenging experience for some. To help avoid confusion, we have provided some helpful tips that may speed up the process.



Teamwork

ALWAYS have at least two people to help with transporting and assembling the product to avoid potential injury and/or damage.



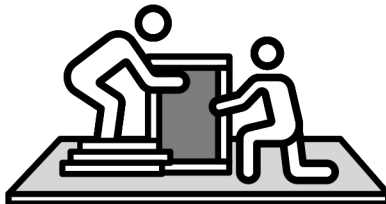
Suitable Location

Assembling near the area of the intended location is highly recommended.



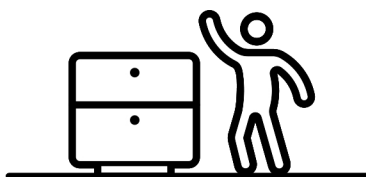
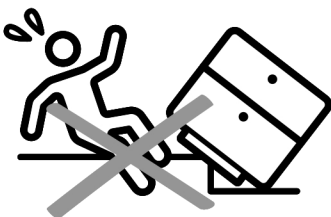
Sufficient Space

Make sure you have enough space to move around during the assembly.



Avoid Scratches

Use cardboard, blankets or a carpeted area while assembling furniture to prevent to prevent scratches and damages.



Flat Surface

Make sure the furniture rests on a flat and level surface with each leg evenly touching the floor.

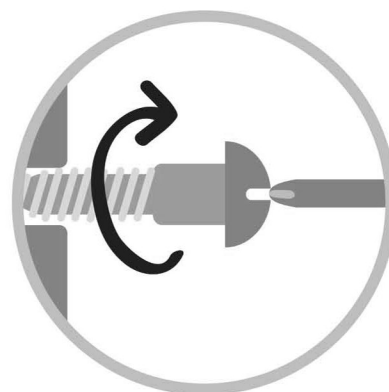
ASSEMBLY AND CARE ADVICE



FAILURE TO FOLLOW THE GUIDELINES BELOW MAY RESULT IN INJURY AND/OR PROPERTY DAMAGE.



Position each part correctly and insert screws or bolts into their respective holes.



Turn clockwise to tighten and only tighten when step is completed or when instructed to do so.



Save the instructions and store any supplied tools for later maintenance.

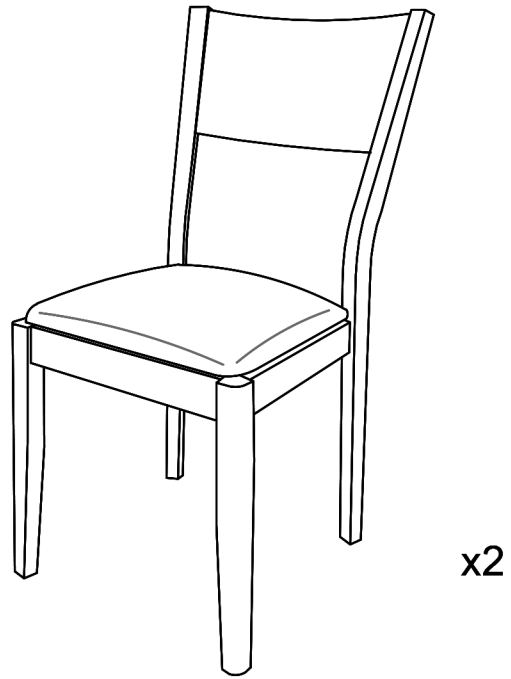
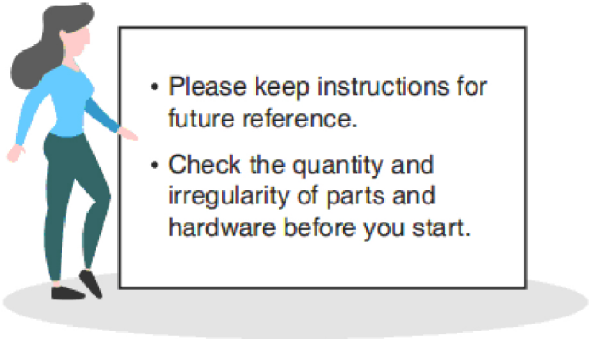
Use the appropriate hand tools or power tools for assembly. Select steps, such as tightening screws and/or bolts, may require hand tools to avoid causing damage during assembly.



After two weeks, check and tighten any loose hardware and repeat again every six months thereafter.

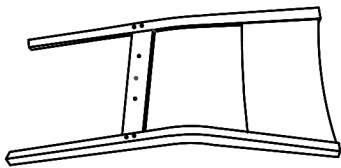
IT IS THE USER'S RESPONSIBILITY TO MAINTAIN THE FURNITURE. THE HARDWARE MAY LOOSEN OVER TIME AND MAY CAUSE THE FURNITURE TO BE WOBBLY AND UNABLE TO SUPPORT ITS INTENDED WEIGHT CAPACITY. THIS MAY LEAD TO COLLAPSE AND MAY CAUSE SERIOUS INJURY.

SIDE CHAIR



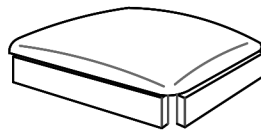
PARTS

#1 1pc x 2



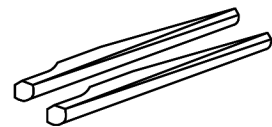
Chair Back

#2 1pc x 2



Cushion Seat

#3 2pcs x 2



Front Leg

HARDWARE

#A 4pcs x 2



Jcbc Screw
M6 x 80MM

#B 4pcs x 2



Jcbc Screw
M6 x 60MM

#C 2pcs x 2



Jcbc Screw
M6 x 40MM

#D 10pcs x 2



Lock Washer
1/4"

#E 10pcs x 2



Flat Washer
1/4"

#F 1pc x 2



Allen Key
M4

#G 1pc x 2

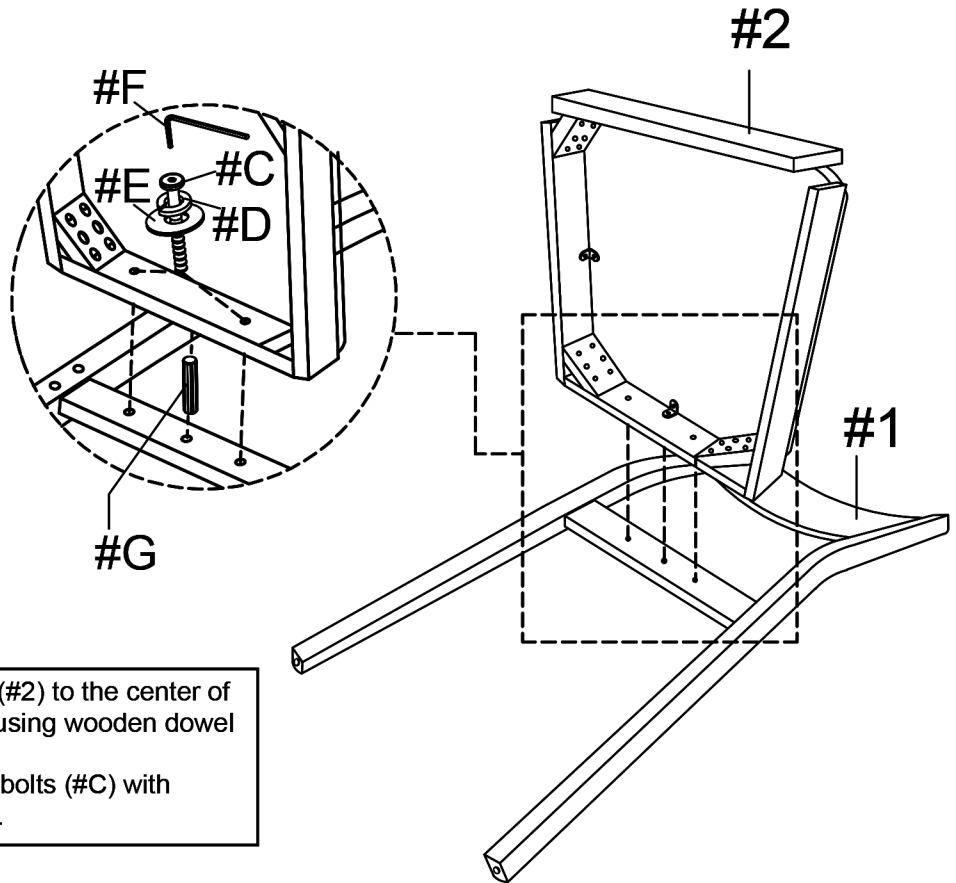


Wood Dowel
Ø10 x 30mm

ASSEMBLY INSTRUCTIONS

1

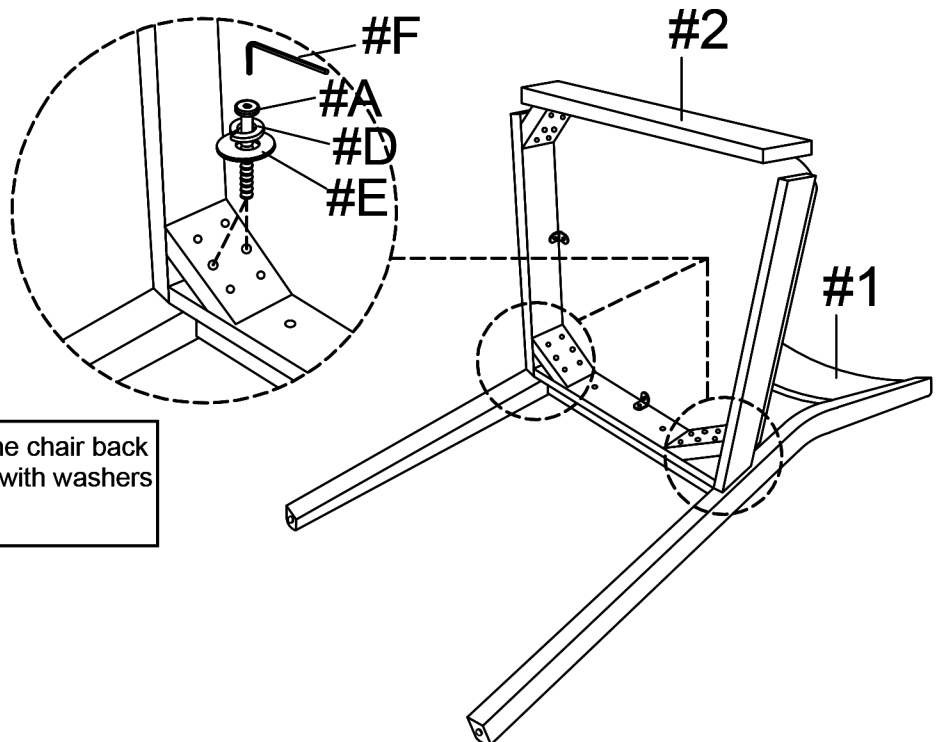
- Part (#1) x1pc
- Part (#2) x1pc
- Hardware (#C) x2pcs
- Hardware (#D) x2pcs
- Hardware (#E) x2pcs
- Hardware (#G) x1pc
- Hardware (#F) x1pc



Align the cushion seat (#2) to the center of the chair back (#1) by using wooden dowel (#G).
Then secure the using bolts (#C) with washers (#D) and (#E).

2

- Hardware (#A) x4pcs
- Hardware (#D) x4pcs
- Hardware (#E) x4pcs
- Hardware (#F) x1pc



Secure the the seat (#2) to the chair back legs (#1) by using bolts (#A) with washers (#D) and (#E).

ASSEMBLY INSTRUCTIONS

3

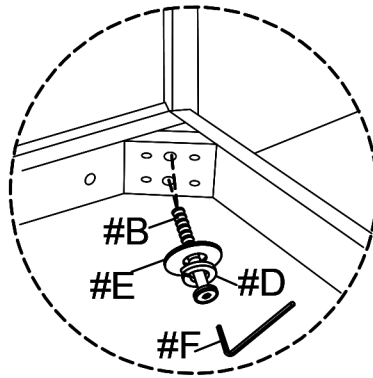
Part #3 x2pcs

Hardware #B x4pcs

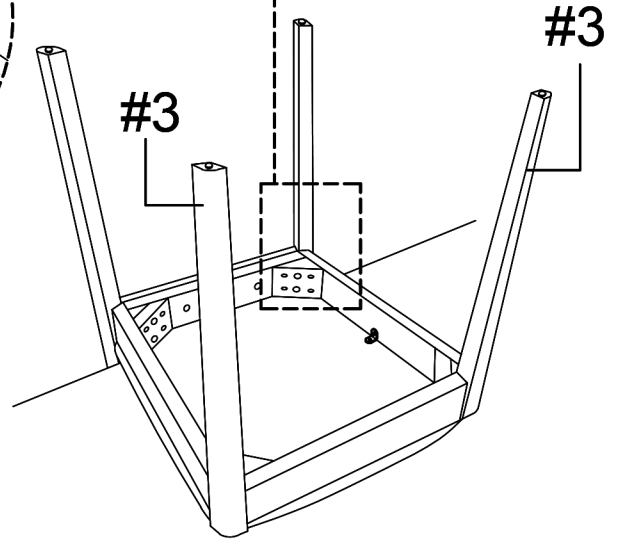
Hardware #D x4pcs

Hardware #E x4pcs

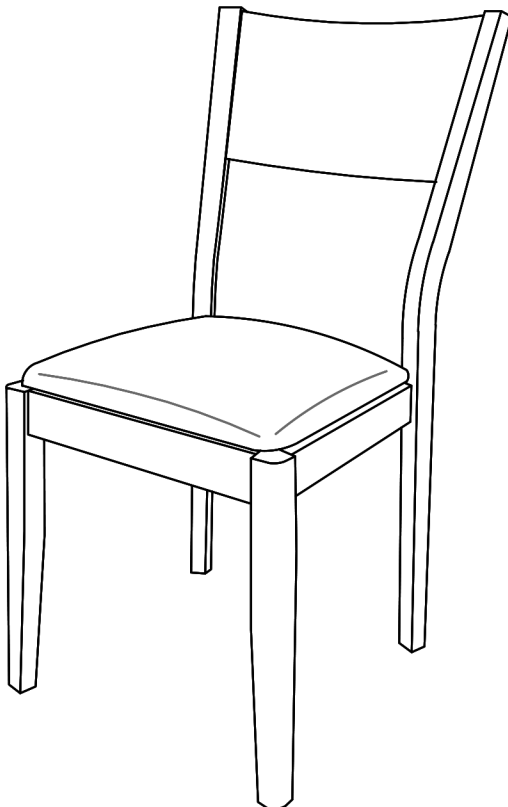
Hardware #F x1pc



Align front legs (#3) to the cushion seat (#2), then secure using bolts (#B) with washers (#D) and (#E).



4



ASSEMBLY COMPLETED



Please ensure the furniture rests on an even and flat surface. If the product wobbles or feels loose, double-check all bolts and/or screws are properly tightened and secured.



Keep this handy!

Please retain this instruction manual and any order-related information for future reference.



Lift, don't drag!

To avoid damage to product please always LIFT the product when transporting or adjusting the placement.