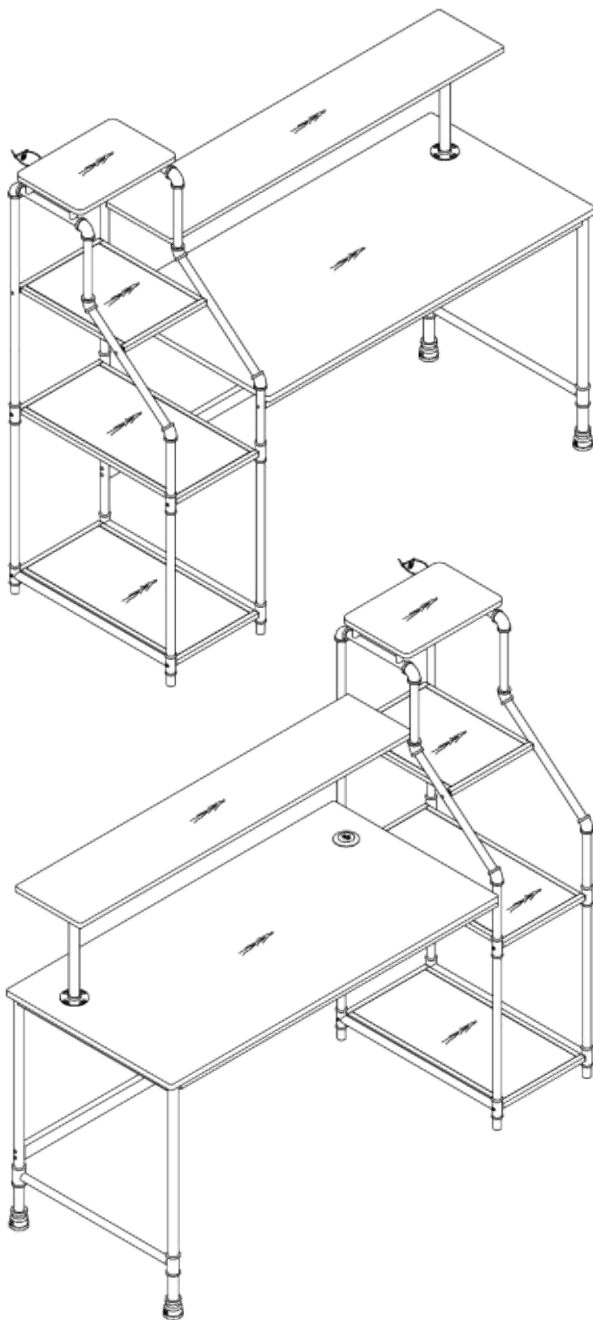


ASSEMBLY INSTRUCTIONS



TOOLS REQUIRED



Allen Wrench

(Included)



Phillips Screwdriver

(Not Included)



2 - People
Recommended

ASSEMBLY RATING



EASY —————> DIFFICULT

The Assembly Rating is a 5-point system showing the level of effort needed to assemble a specific product.



CHECK BEFORE STARTING

Are you missing anything?

Double-check all parts, hardware and accessories listed are all accounted for.

Should we send any replacements?

Are there any irregularities or flaws in the parts? We can send replacements!

Check out our Quick Tips!

We recommend reviewing the pre-assembly handouts. Even experts need a refresher now and then!

Prep Time!

Please review the assembly instructions and all diagrams prior to assembling.

PRE ASSEMBLY INTRODUCTION

We understand building ready-to-assemble furniture can be a challenging experience for some. To help avoid confusion, we have provided some helpful tips that may speed up the process.



Teamwork

ALWAYS have at least two people to help with transporting and assembling the product to avoid potential injury and/or damage.



Suitable Location

Assembling near the area of the intended location is highly recommended.



Sufficient Space

Make sure you have enough space to move around during the assembly.



Avoid Scratches

Use cardboard, blankets or a carpeted area while assembling furniture to prevent to prevent scratches and damages.



Flat Surface

Make sure the furniture rests on a flat and level surface with each leg evenly touching the floor.

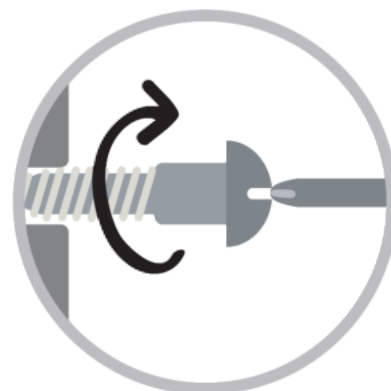
ASSEMBLY AND CARE ADVICE



FAILURE TO FOLLOW THE GUIDELINES BELOW MAY RESULT IN INJURY AND/OR PROPERTY DAMAGE.



Position each part correctly and insert screws or bolts into their respective holes.



Turn clockwise to tighten and only tighten when step is completed or when instructed to do so.



Use the appropriate hand tools or power tools for assembly. Select steps, such as tightening screws and/or bolts, may require hand tools to avoid causing damage during assembly.



Save the instructions and store any supplied tools for later maintenance.



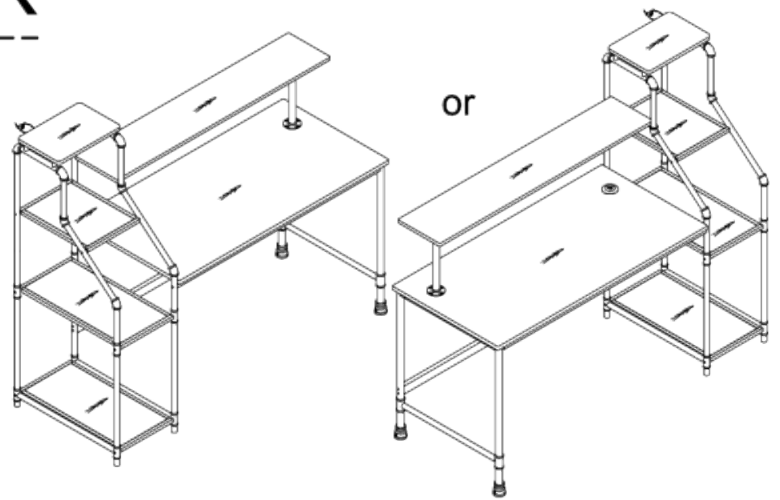
After two weeks, check and tighten any loose hardware and repeat again every six months thereafter.

IT IS THE USER'S RESPONSIBILITY TO MAINTAIN THE FURNITURE. THE HARDWARE MAY LOOSEN OVER TIME AND MAY CAUSE THE FURNITURE TO BE WOBBLY AND UNABLE TO SUPPORT ITS INTENDED WEIGHT CAPACITY. THIS MAY LEAD TO COLLAPSE AND MAY CAUSE SERIOUS INJURY.

COMPUTER DESK



- Please keep instructions for future reference.
- Check the quantity and irregularity of parts and hardware before you start.



PARTS

#1 1pc



Left Frame

#2 1pc



Right Frame

#3 1pc



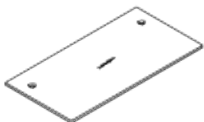
Leg

#4 1pc



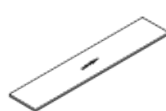
Desk Frame

#5 1pc



Desk Top

#6 1pc



Shelf Long Board

#7 1pc



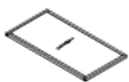
Top Board

#8 1pc



Middle Board

#9 2pcs



Shelf Board

#10 1pc



Desk Connection Tube

#11 1pc



Shelf Support Tube

#12 2pcs



Shelf Tube

#13 1pc



Washer

#14 1pc



USB Line

#15 1pc



Adapter

#16 1pc

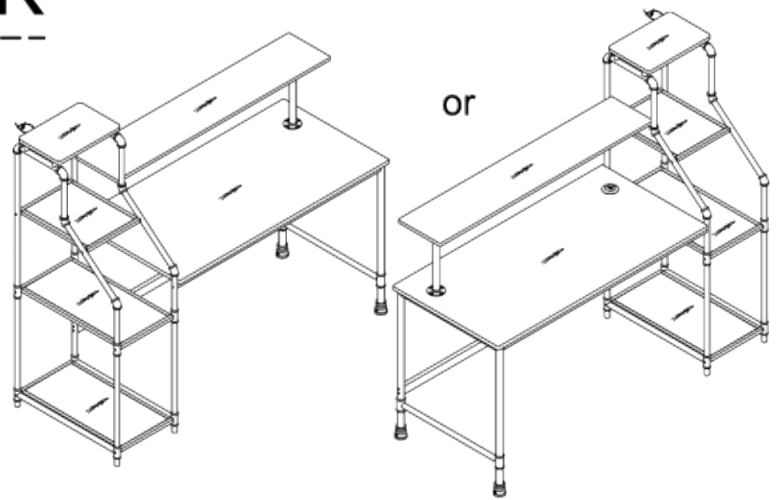


Power Line

COMPUTER DESK



- Please keep instructions for future reference.
- Check the quantity and irregularity of parts and hardware before you start.



PARTS

#17 1pc

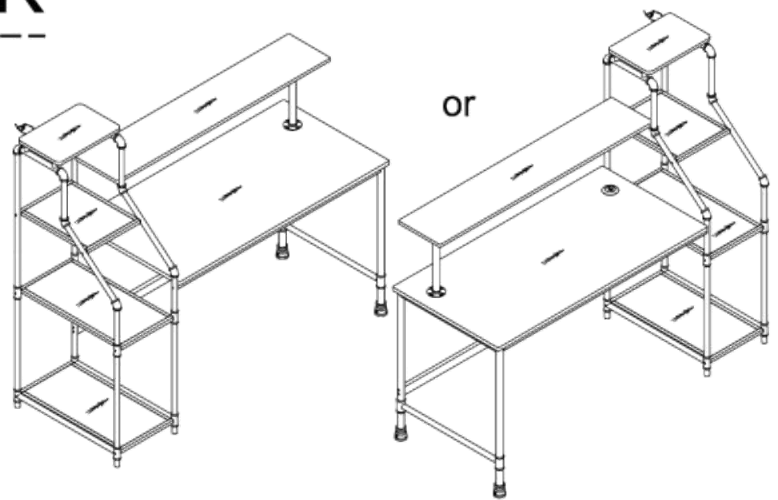


LED Light

COMPUTER DESK



- Please keep instructions for future reference.
- Check the quantity and irregularity of parts and hardware before you start.



HARDWARE

#A 2pcs



Bolt 1/4" x 5/8"

#B 8pcs



Bolt 1/4" x 1-3/8"

#C 20pcs



Bolt 1/4" x 1-3/4"

#D 2pcs



Bolt 1/4" x 2"

#E 4pcs



Bolt 1/4" x 2-3/8"

#F 6pcs



Bolt 1/4" x 3/4"

#G 2pcs



Screw M5x12

#H 2pcs



Screw M3x10

#I 3pcs



Screw M3x14

#J 4pcs



Washer Ø25xØ6x2.0

#K 8pcs



Washer Ø18xØ8x1.5

#L 2pcs



Wire clip

#M 3pcs



Nut M6x18

#N 1pc



Screw M4x37

#O 2pcs



Metal Plate

#P 1pc



Bracket

#Q 1pc



Girding

#R 2pcs



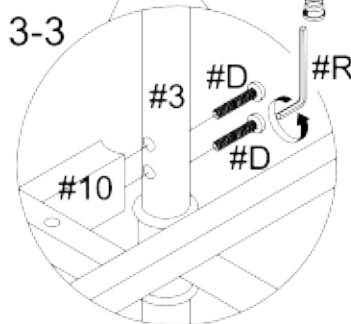
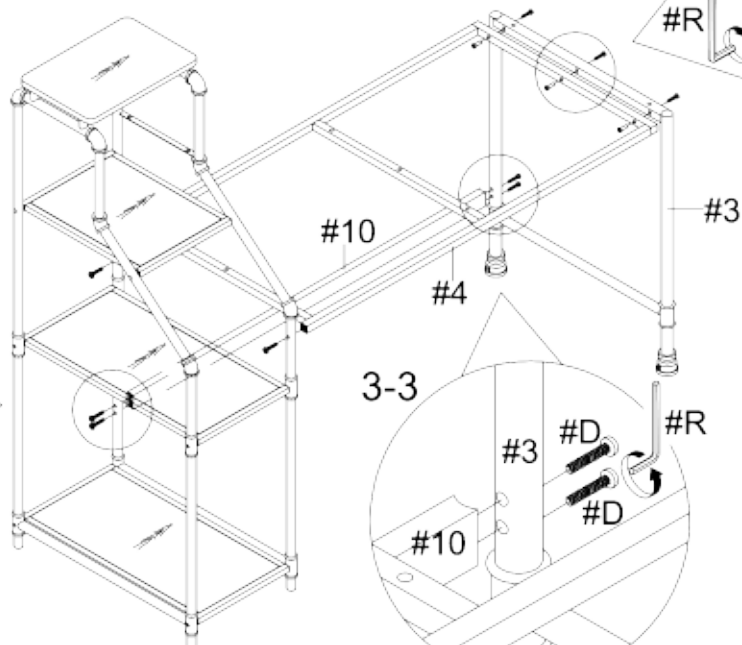
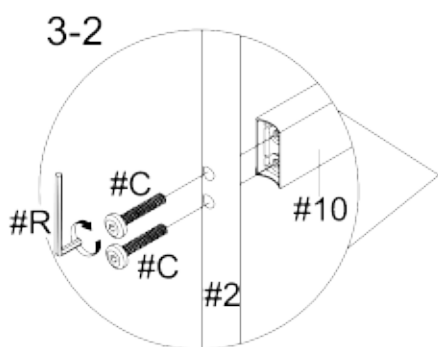
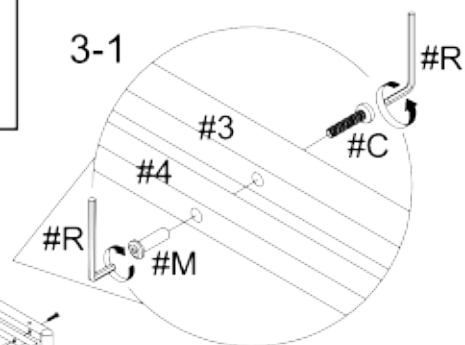
Allen Wrench M4

ASSEMBLY INSTRUCTIONS

3

- Part #3 x 1pc
- Part #4 x 1pc
- Part #10 x 1pc
- Hardware #C x 7pcs
- Hardware #D x 2pcs
- Hardware #M x 3pcs
- Hardware #R x 2pcs

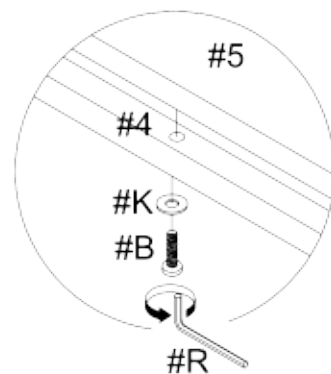
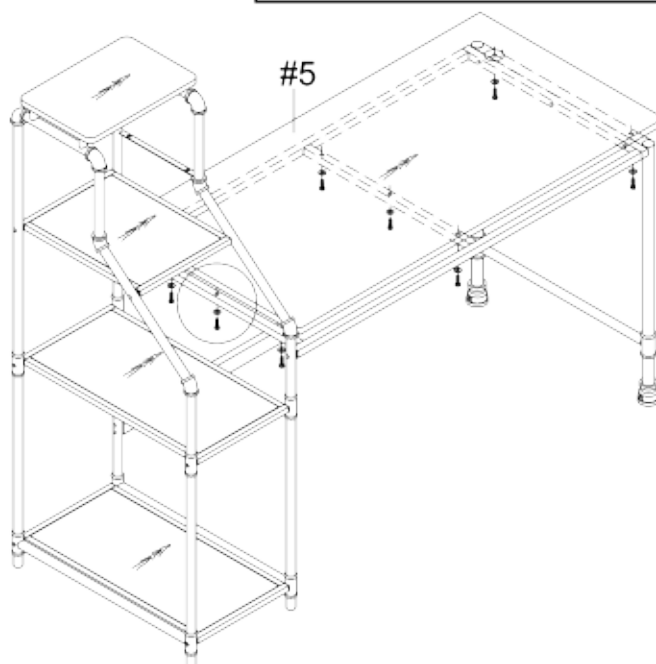
1. Align the leg (#3) to the desk frame (#4), then secure using bolts (#C) with nuts (#M). Attach the desk frame (#4) to the right side frame (#2) using bolts (#C).
2. Secure the desk connection tube (#10) to the right frame (#2) using bolts (#C).
3. Secure connection tube (#10) to the leg (#3) using bolts (#D).



4

- Part #5 x 1pc
- Hardware #B x 8pcs
- Hardware #K x 8pcs
- Hardware #R x 1pc

- Align desk top (#5) to the desk frame (#4), then secure using bolts (#B) with washers (#K).

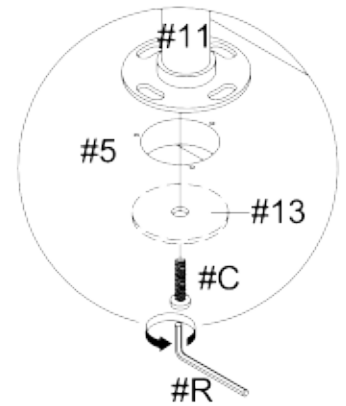
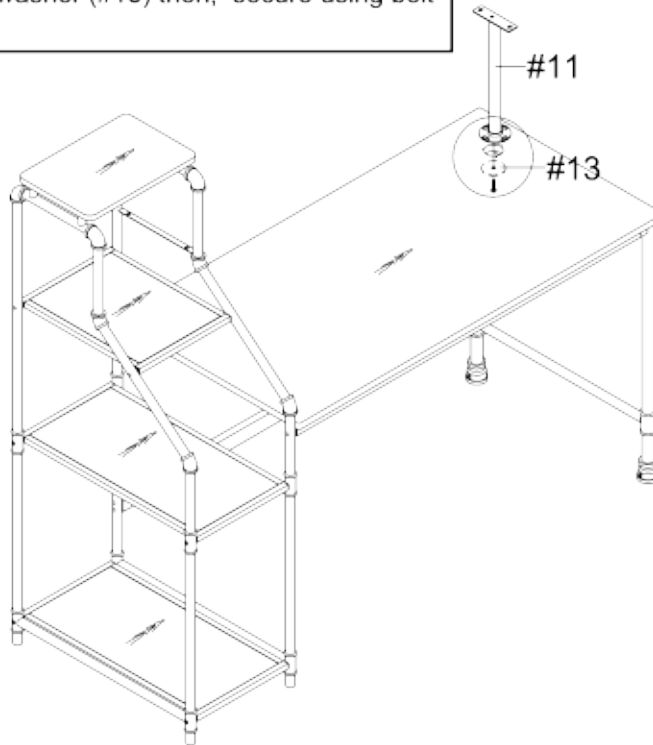


ASSEMBLY INSTRUCTIONS

5

- Part #11 x 1pc
- Part #13 x 1pc
- Hardware #C x 1pc
- Hardware #R x 1pc

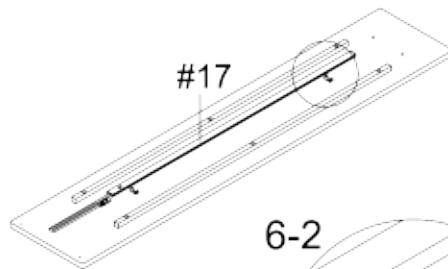
Align shelf support tube (#11) to the top (#5) using washer (#13) then, secure using bolt (#C).



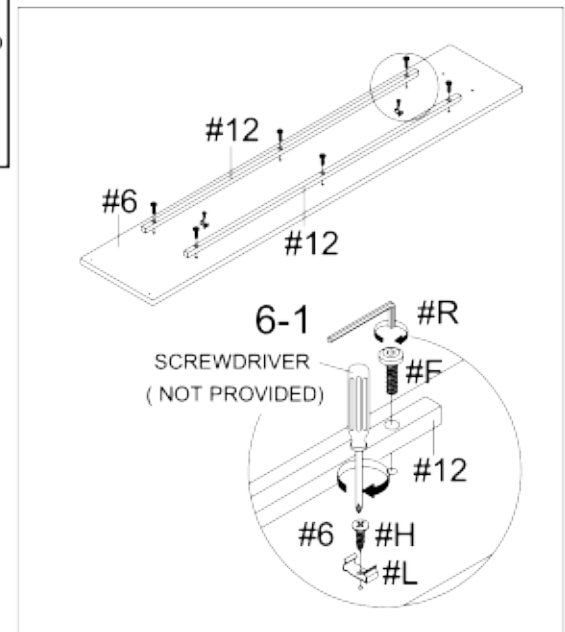
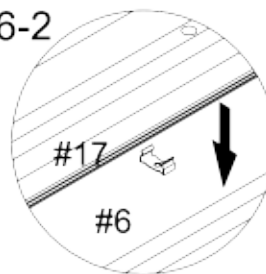
6

- Part #6 x 1pc
- Part #12 x 2pcs
- Part #17 x 1pc
- Hardware #F x 6pcs
- Hardware #H x 2pcs
- Hardware #L x 2pcs
- Hardware #R x 1pc

1. Attach wire clip (#L) onto long board (#6) using screws (#H). Attach shelf tubes (#12) to the long board (#6) by using bolts (#F).
2. Attach LED light (#17) onto the wire clips (#L).



6-2



6-1

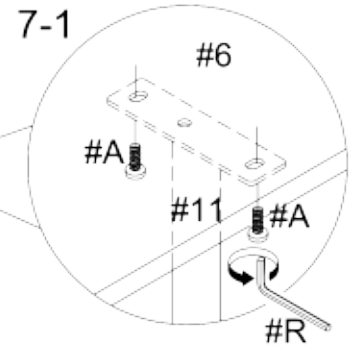
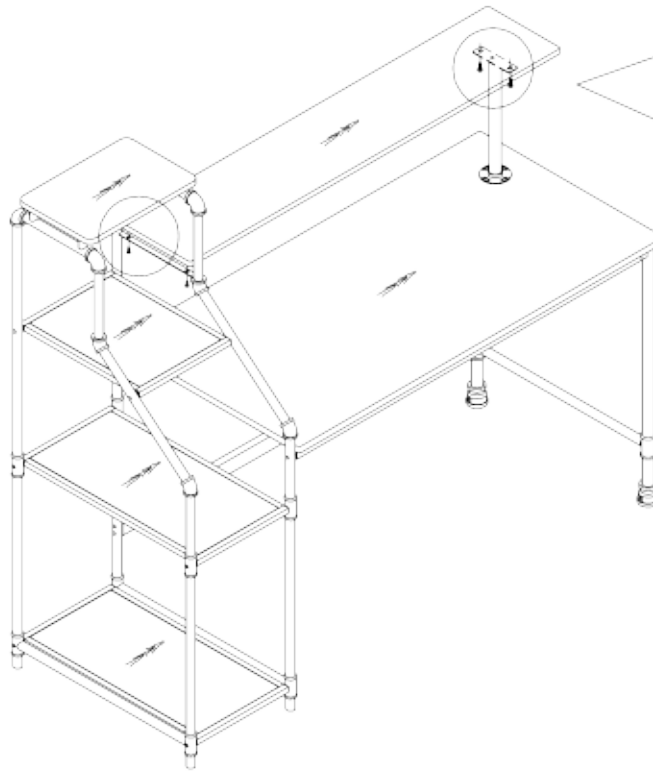
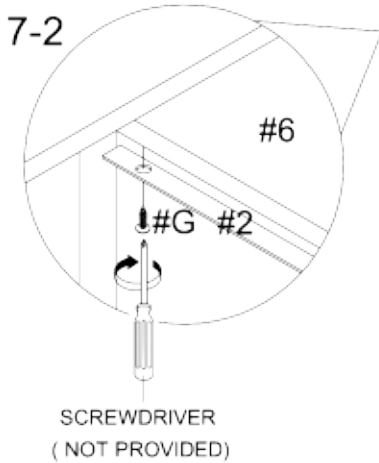
SCREWDRIVER
(NOT PROVIDED)

ASSEMBLY INSTRUCTIONS

7

1. Attach the long board (#6) to the shelf support tube (#11) using bolts (#A).
2. Attach to the long board (#6) to the right frame panel (#2) using screws (#G).

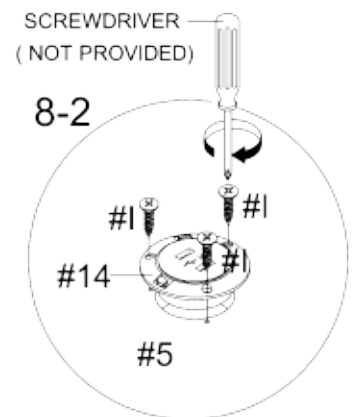
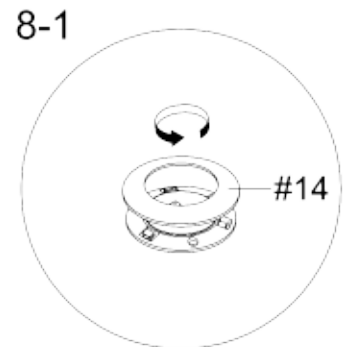
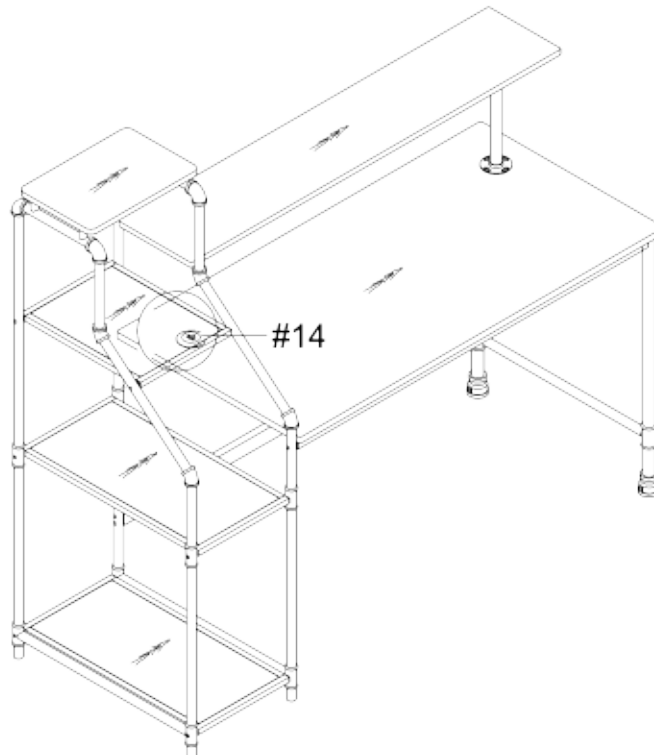
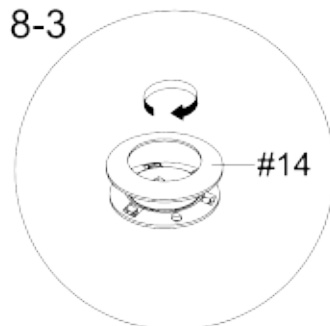
Hardware #A x 2pcs
Hardware #G x 2pcs
Hardware #R x 1pc



8

1. Separate cap from USB line (#14).
2. Insert USB line (#14) into panel desk top (#5) and secure in place using screws (#I).
3. Attach cap back onto USB line (#14).

Part #14 x 1pc
Hardware #I x 3pcs



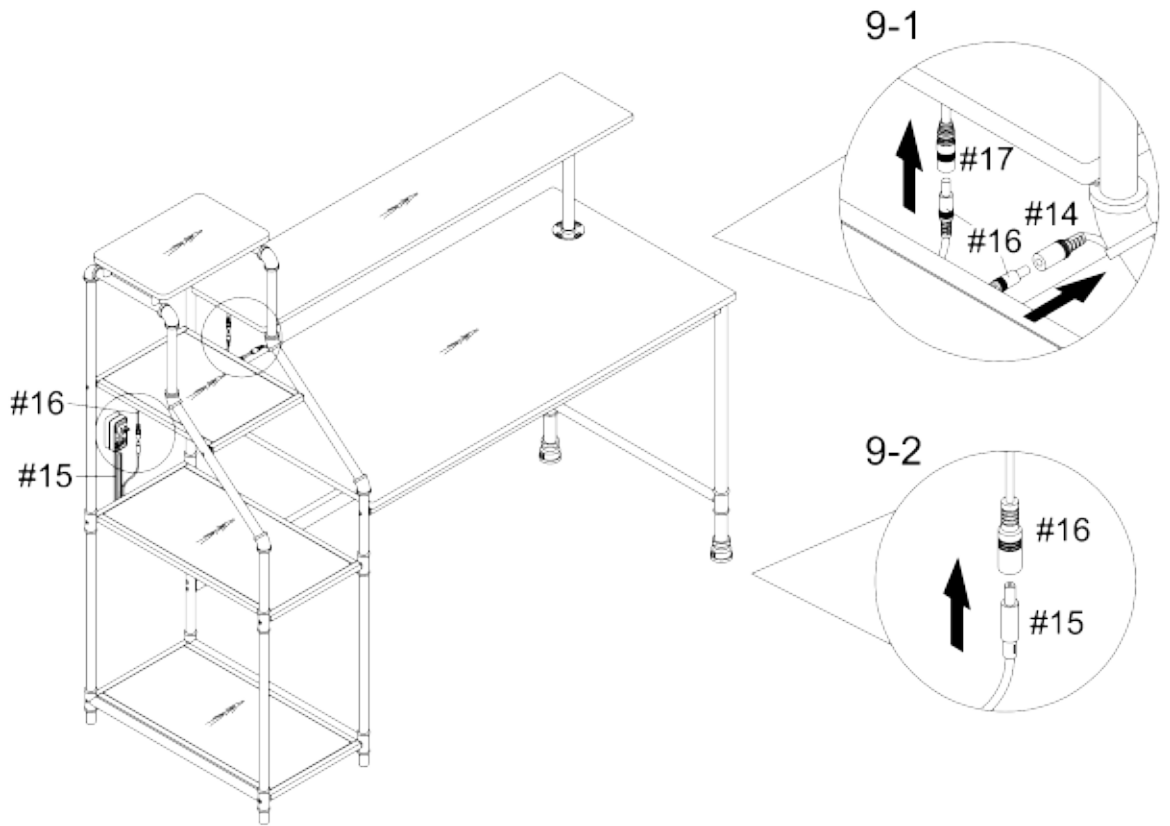
ASSEMBLY INSTRUCTIONS

9

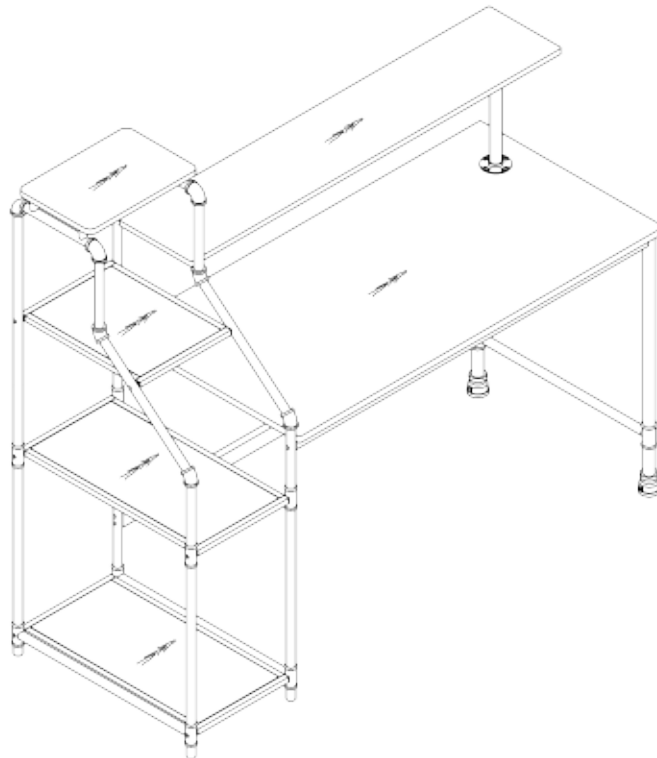
Part #15 x 1pc

Part #16 x 1pc

1. Connect power line (#16) to the USB line (#14) and the LED light (#17).
2. Connect power line (#16) to the adapter (#15).



10



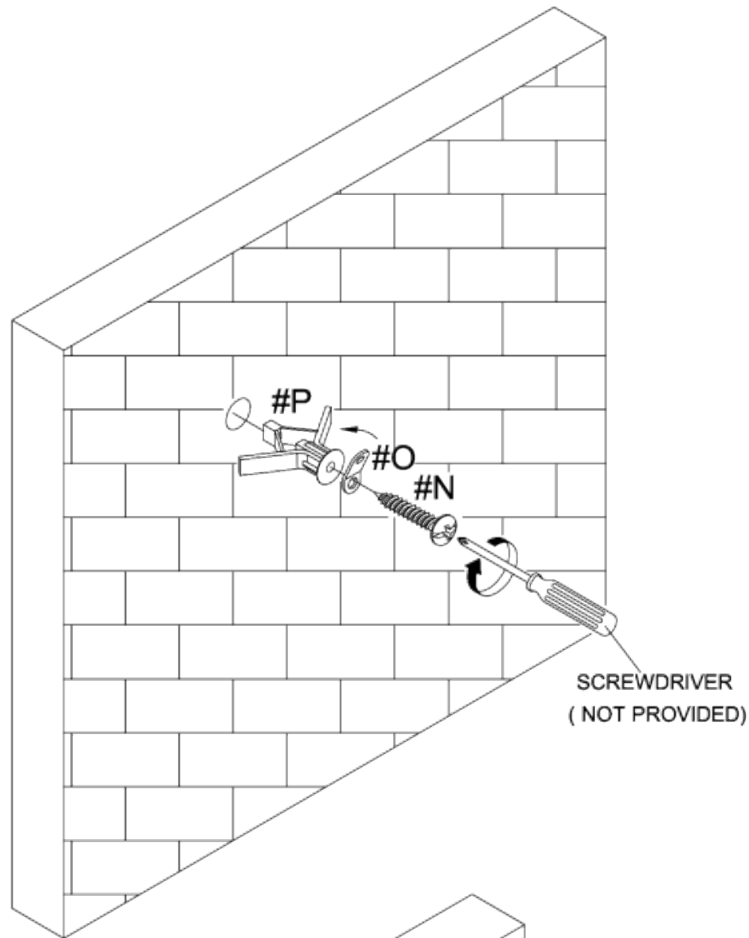
ASSEMBLY INSTRUCTIONS

11

Hardware #N x 1pc

Hardware #O x 1pc

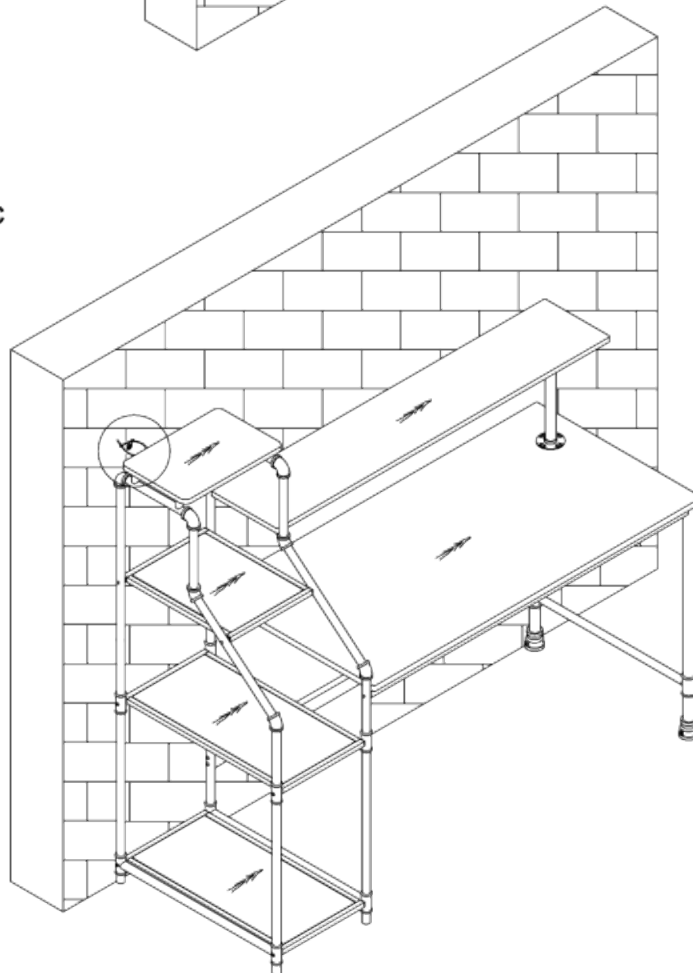
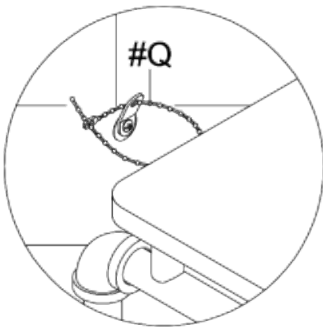
Hardware #P x 1pc



12

Hardware #Q x 1pc

To Prevent Tip over
Product Must Be
Attached To Wall



ASSEMBLY COMPLETED



Please ensure the furniture rests on an even and flat surface. If the product wobbles or feels loose, double-check all bolts and/or screws are properly tightened and secured.



Keep this handy!

Please retain this instruction manual and any order-related information for future reference.



Lift, don't drag!

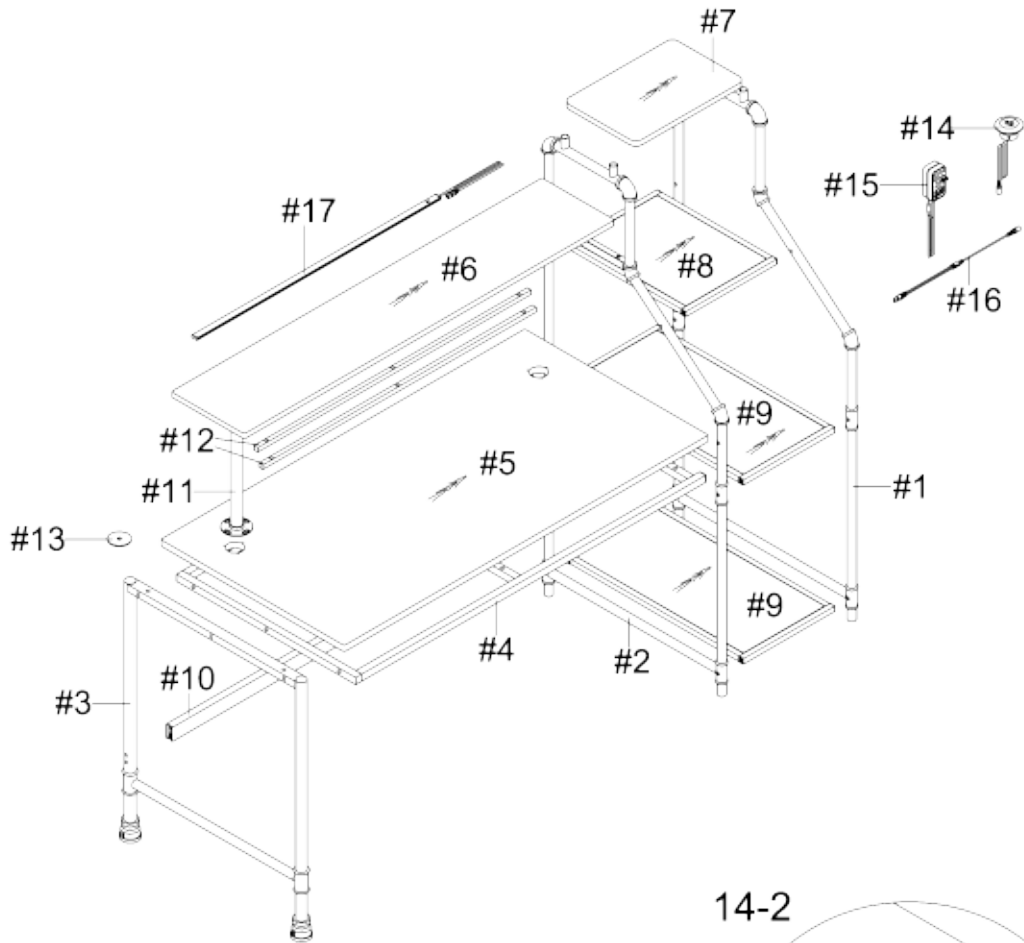
To avoid damage to product please always LIFT the product when transporting or adjusting the placement.

ASSEMBLY INSTRUCTIONS

The desk is assembled on the left

13

Exploded View



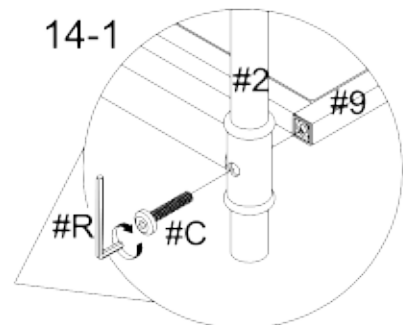
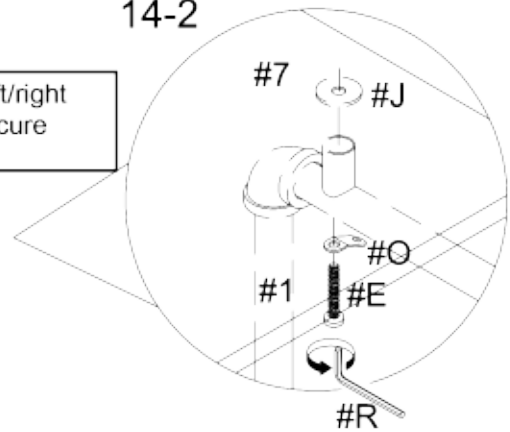
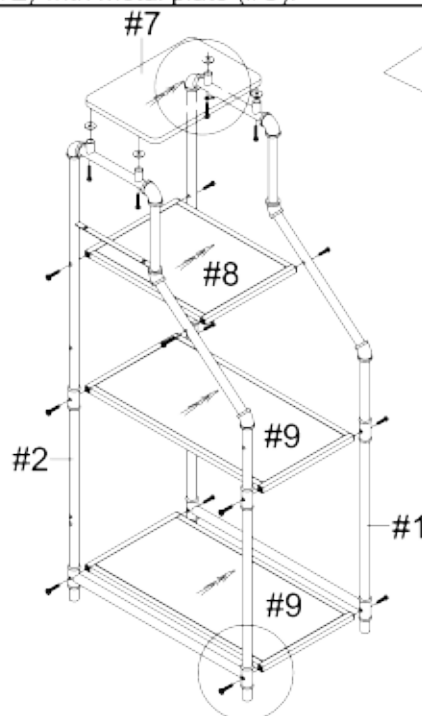
14

14-2

- Part #1 x 1pc
- Part #2 x 1pc
- Part #7 x 1pc
- Part #8 x 1pc
- Part #9 x 2pcs
- Hardware #C x 12pcs
- Hardware #E x 4pcs
- Hardware #J x 4pcs
- Hardware #O x 1pc
- Hardware #R x 1pc

2. Align and attach top board (#7) to the left/right frame (#1,2) by using washer (#J), then secure using bolt (#E) with metal plate (#O).

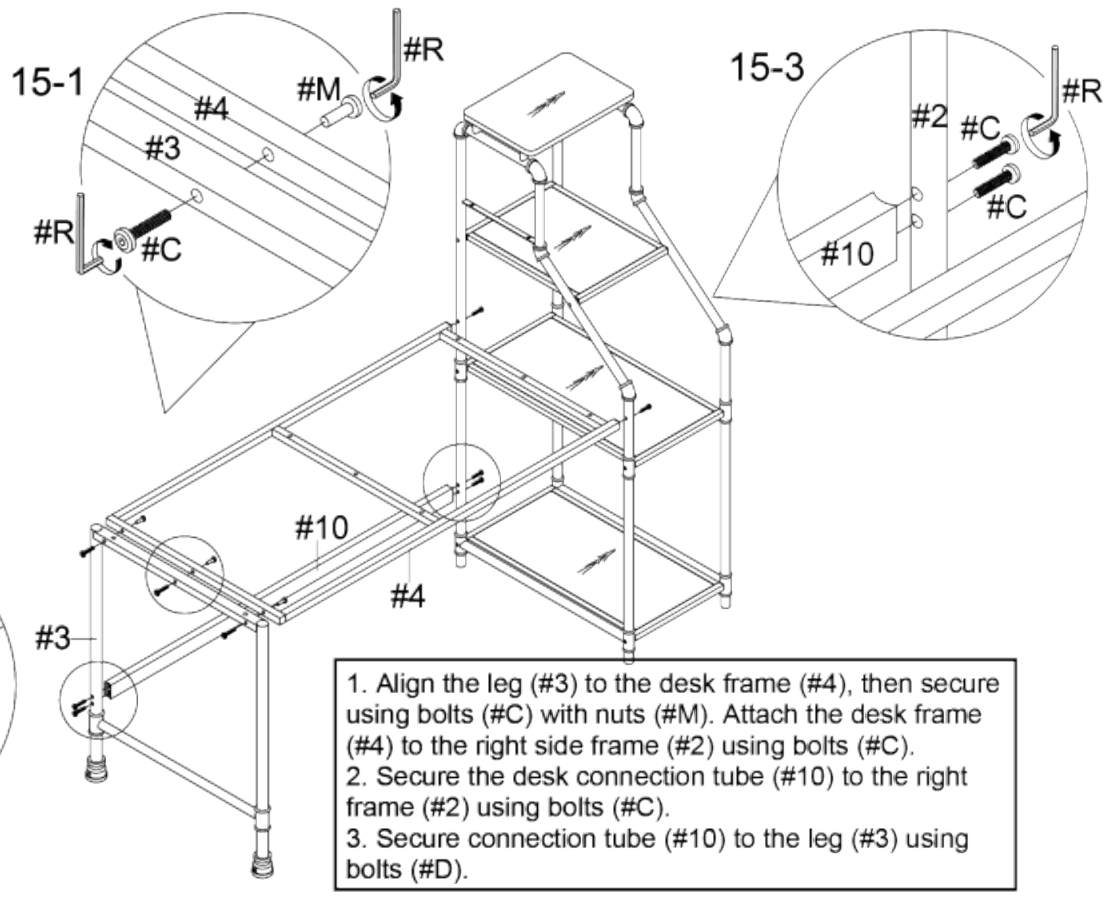
1. Align Shelf boards (#8,9) to the left frame (#1), then secure using bolts (#C). Align right frame (#2) and secure.



ASSEMBLY INSTRUCTIONS

15

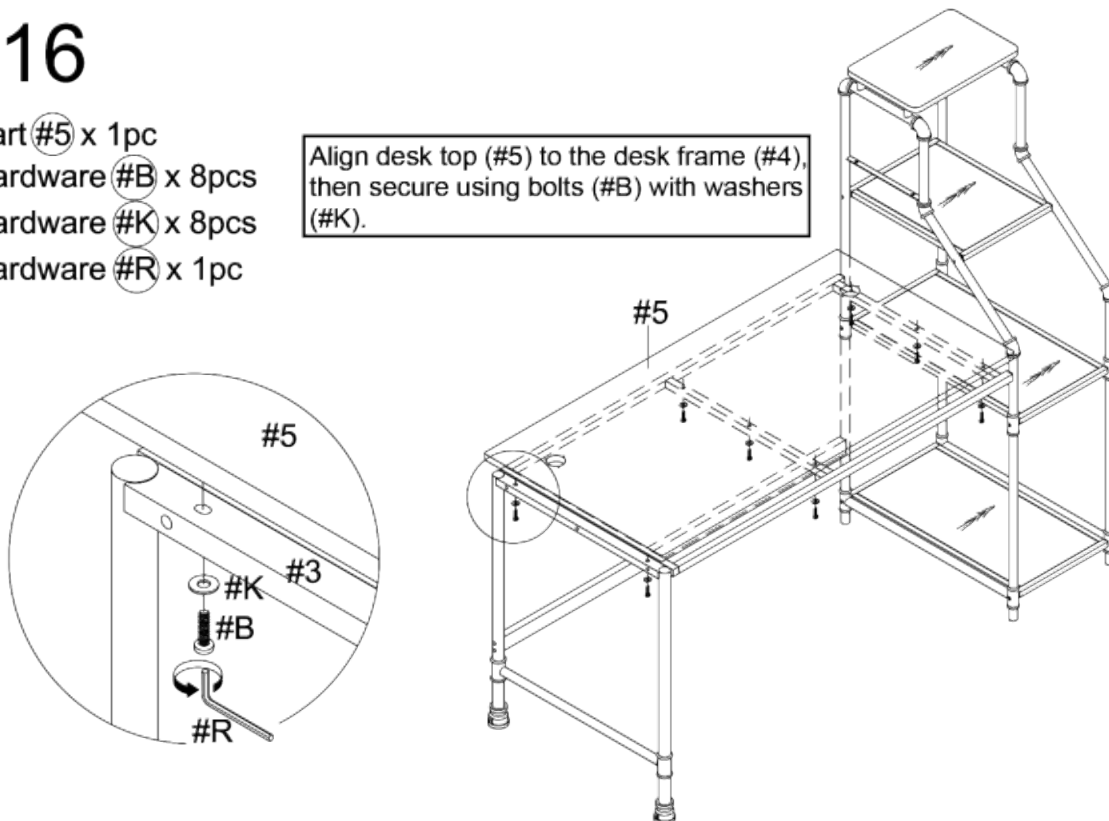
- Part #3 x 1pc
- Part #4 x 1pc
- Part #10 x 1pc
- Hardware #C x 7pcs
- Hardware #D x 2pcs
- Hardware #M x 3pcs
- Hardware #R x 2pcs



16

- Part #5 x 1pc
- Hardware #B x 8pcs
- Hardware #K x 8pcs
- Hardware #R x 1pc

Align desk top (#5) to the desk frame (#4), then secure using bolts (#B) with washers (#K).



ASSEMBLY INSTRUCTIONS

17

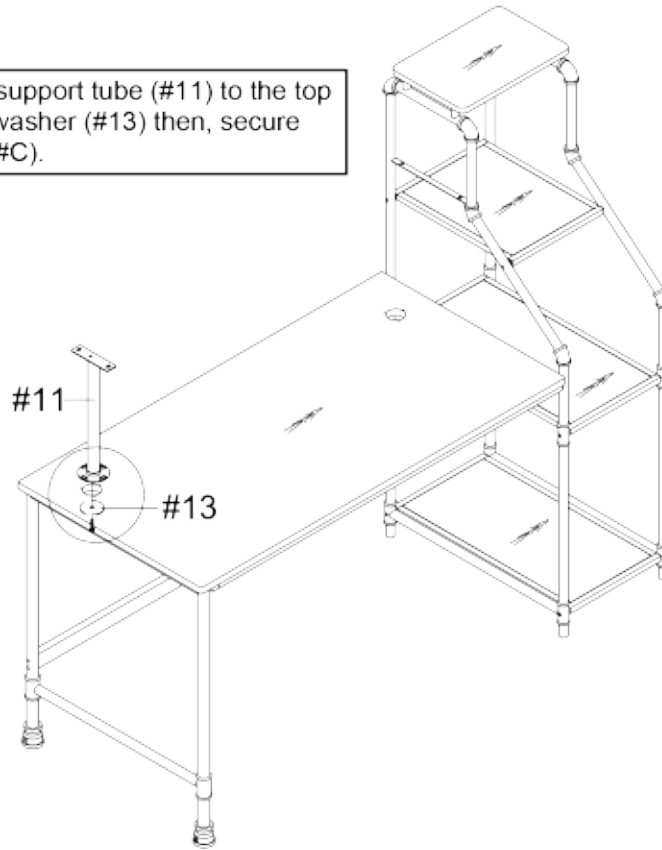
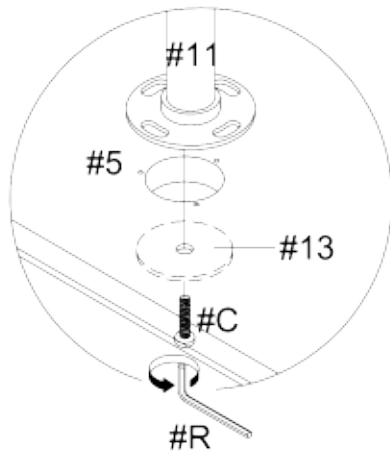
Part #11 x 1pc

Part #13 x 1pc

Hardware #C x 1pc

Hardware #R x 1pc

Align shelf support tube (#11) to the top (#5) using washer (#13) then, secure using bolt (#C).



18

Part #6 x 1pc

Part #12 x 2pcs

Part #17 x 1pc

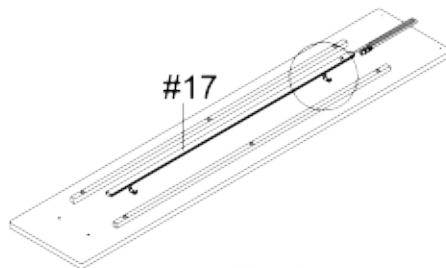
Hardware #F x 6pcs

Hardware #H x 2pcs

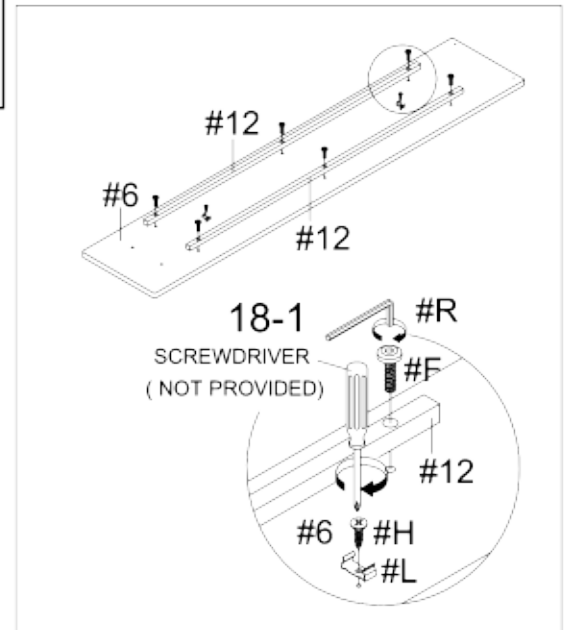
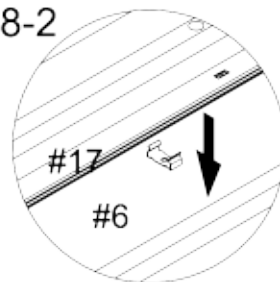
Hardware #L x 2pcs

Hardware #R x 1pc

1. Attach wire clip (#L) onto long board (#6) using screws (#H). Attach shelf tubes (#12) to the long board (#6) by using bolts (#F).
2. Attach LED light (#17) onto the wire clips (#L).



18-2

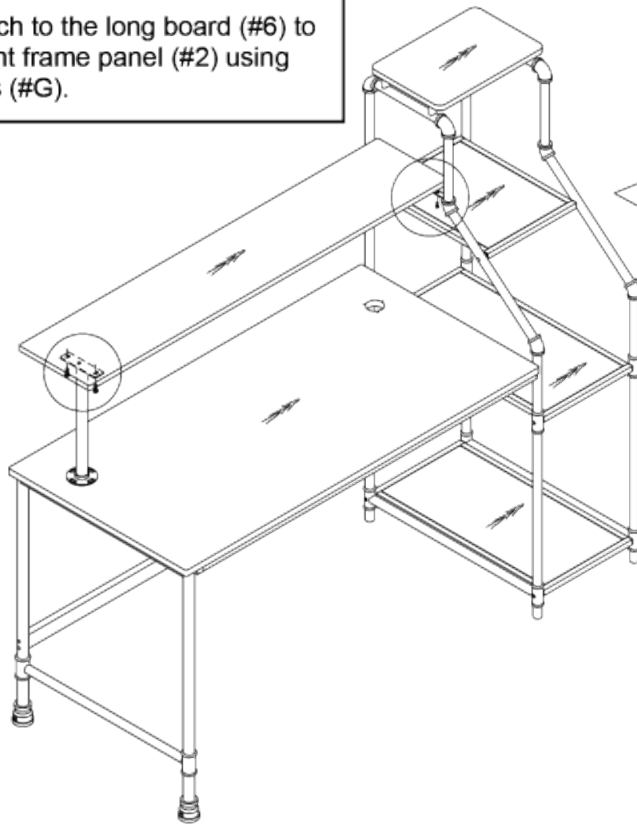
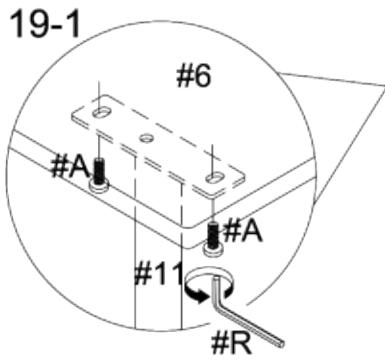


ASSEMBLY INSTRUCTIONS

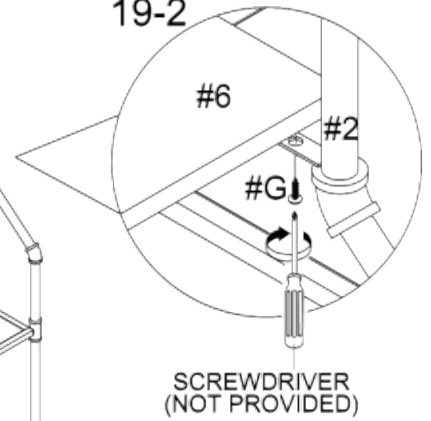
19

1. Attach the long board (#6) to the shelf support tube (#11) using bolts (#A).
2. Attach to the long board (#6) to the right frame panel (#2) using screws (#G).

Hardware #A x 2pcs
 Hardware #G x 2pcs
 Hardware #R x 1pc



19-2

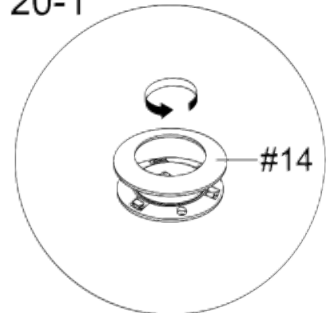


20

1. Separate cap from USB line (#14).
2. Insert USB line (#14) into panel desk top (#5) and secure in place using screws (#I).
3. Attach cap back onto USB line (#14).

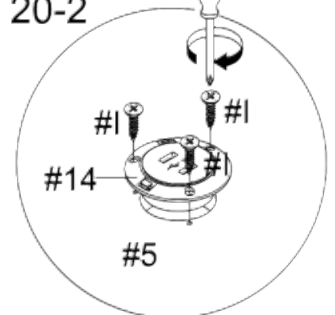
Part #14 x 1pc
 Hardware #I x 3pcs

20-1

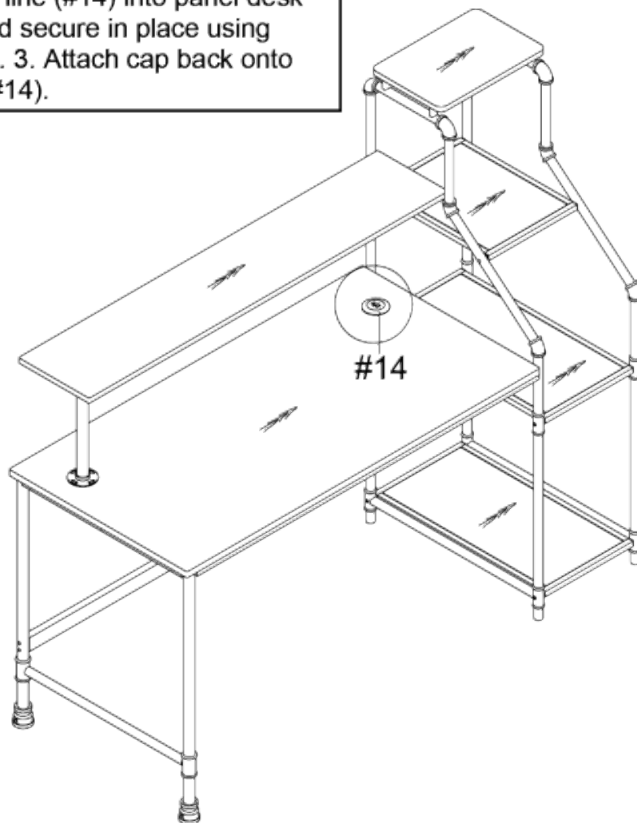
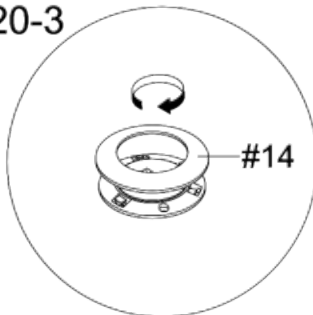


SCREWDRIVER
(NOT PROVIDED)

20-2



20-3



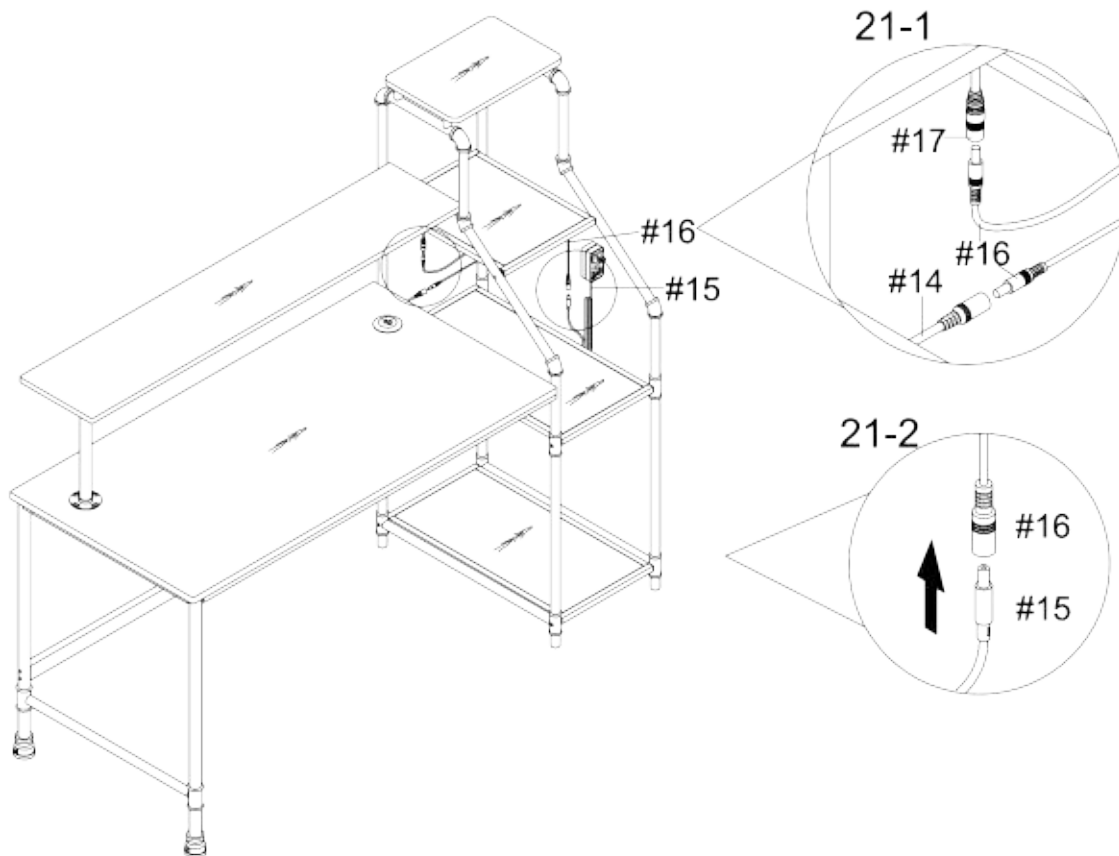
ASSEMBLY INSTRUCTIONS

1. Connect power line (#16) to the USB line (#14) and the LED light (#17).
2. Connect power line (#16) to the adapter (#15).

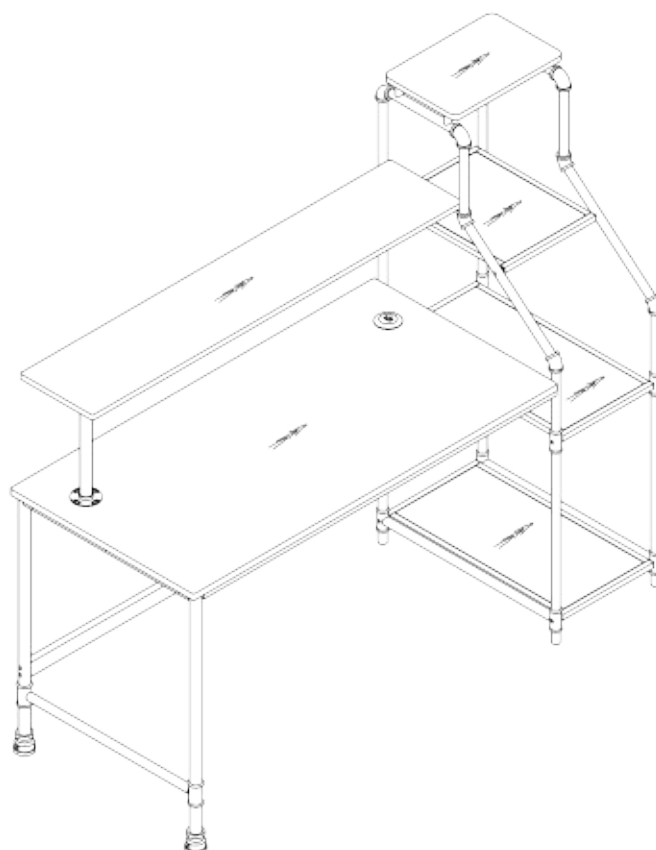
21

Part #15 x 1pc

Part #16 x 1pc



22



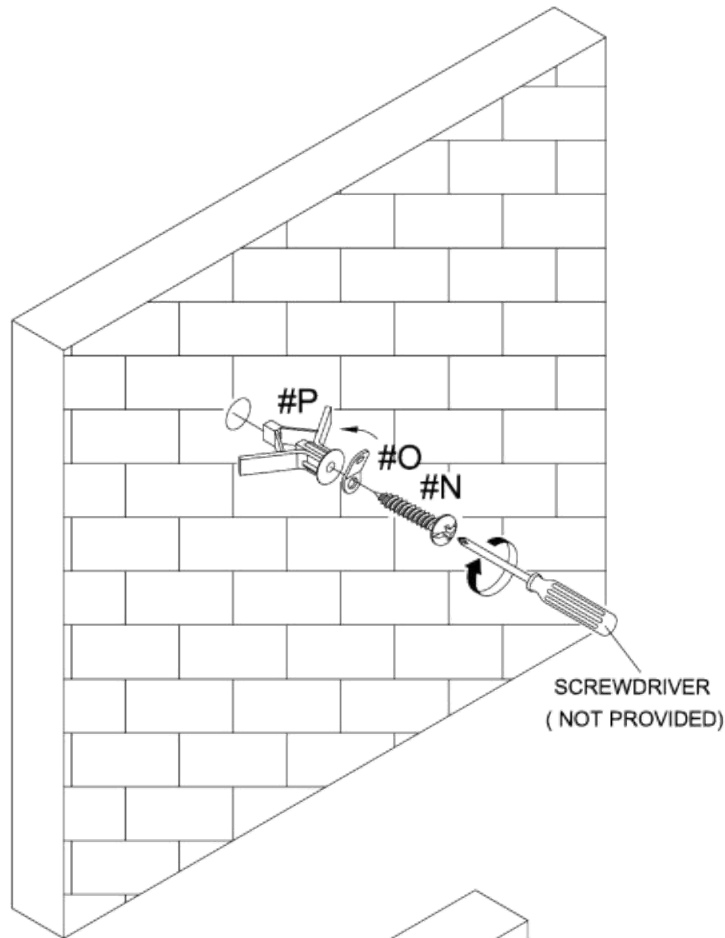
ASSEMBLY INSTRUCTIONS

23

Hardware #N x 1pc

Hardware #O x 1pc

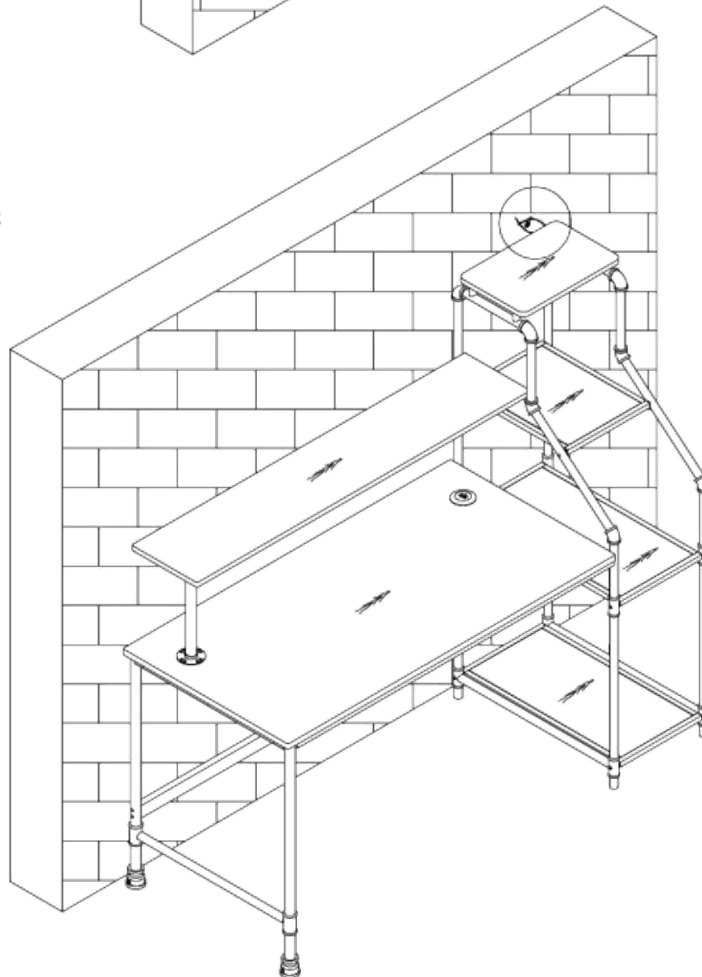
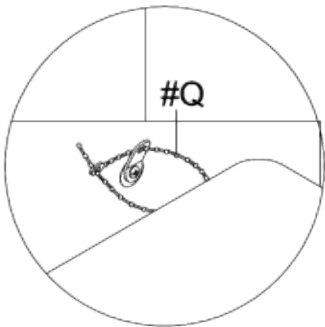
Hardware #P x 1pc



24

Hardware #Q x 1pc

To Prevent Tip over
Product Must Be
Attached To Wall



ASSEMBLY COMPLETED



Please ensure the furniture rests on an even and flat surface. If the product wobbles or feels loose, double-check all bolts and/or screws are properly tightened and secured.



Keep this handy!

Please retain this instruction manual and any order-related information for future reference.



Lift, don't drag!

To avoid damage to product please always LIFT the product when transporting or adjusting the placement.

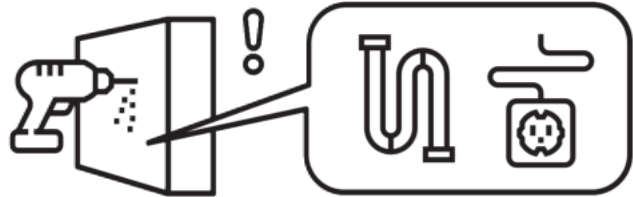
ASSEMBLY INSTRUCTIONS

Wall Mounting and Fixing



EXPANSION WALL ANCHOR

Our provided expansion wall anchors are only suitable for masonry walls, such as drywall, plaster or concrete, and are best for holding lightweight items or for anti-tip prevention. If you are unsure of the correct wall anchor to use with the product, please request professional guidance. Liability for product damage or failure due to using the incorrect anchors will fall on the installer.



CHECK BEFORE PROCEEDING

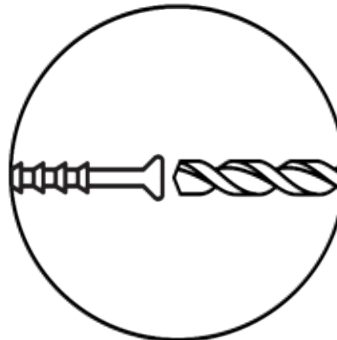
Prior to drilling or hammering, please check for wires or pipes. We recommend using a stud finder to locate a stud, which will offer more appropriate resistance and hold more weight.

QUICK TIPS

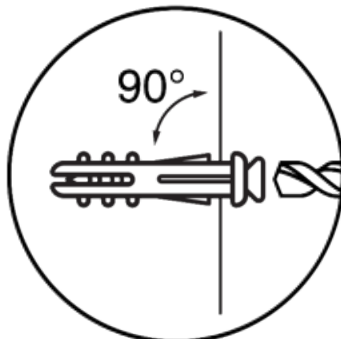
1. If unsure of the proper size, always choose a larger screw and wall anchor.



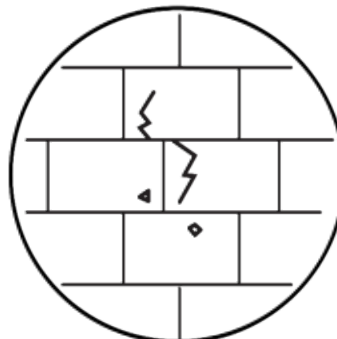
2. Match the drill bit to the wall anchor and hole size.



3. Only drill horizontally. Do not force the drill or enlarge the hole for the wall anchor.



4. Take extra care when drilling into high walls or ceramic tiles. Wall anchors should be a tight fit for the hole. Never use wall anchors in ceilings.



MAINTENANCE



We recommend a yearly check to see if the wall anchor or screw has loosened. If so, please remove the existing wall anchor and screw, and use a new anchor.