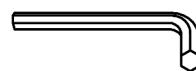


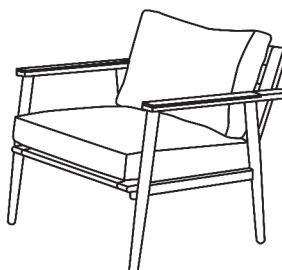
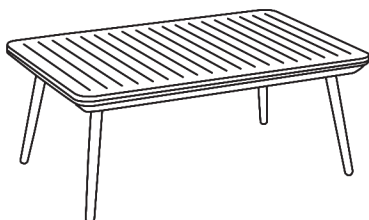
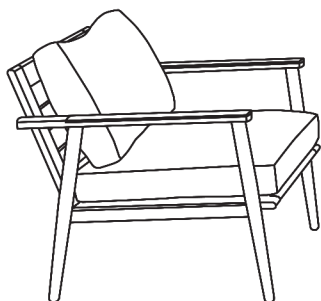
ASSEMBLY INSTRUCTIONS

TOOLS REQUIRED



Allen Wrench

(Included)



**2 - People
Recommended**

ASSEMBLY RATING



EASY —————> DIFFICULT

The Assembly Rating is a 5-point system showing the level of effort needed to assemble a specific product.



CHECK BEFORE STARTING

Are you missing anything?

Double-check all parts, hardware and accessories listed are all accounted for.

Should we send any replacements?

Are there any irregularities or flaws in the parts? We can send replacements!

Check out our Quick Tips!

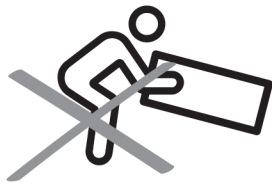
We recommend reviewing the pre-assembly handouts. Even experts need a refresher now and then!

Prep Time!

Please review the assembly instructions and all diagrams prior to assembling.

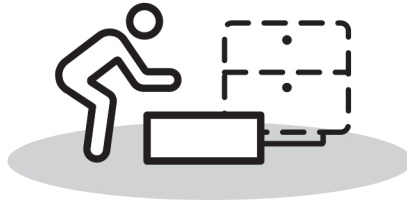
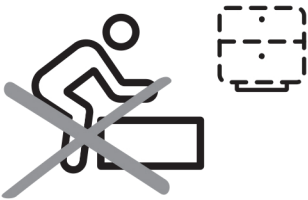
PRE ASSEMBLY INTRODUCTION

We understand building ready-to-assemble furniture can be a challenging experience for some. To help avoid confusion, we have provided some helpful tips that may speed up the process.



Teamwork

ALWAYS have at least two people to help with transporting and assembling the product to avoid potential injury and/or damage.



Suitable Location

Assembling near the area of the intended location is highly recommended.



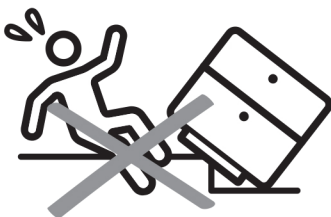
Sufficient Space

Make sure you have enough space to move around during the assembly.



Avoid Scratches

Use cardboard, blankets or a carpeted area while assembling furniture to prevent to prevent scratches and damages.



Flat Surface

Make sure the furniture rests on a flat and level surface with each leg evenly touching the floor.

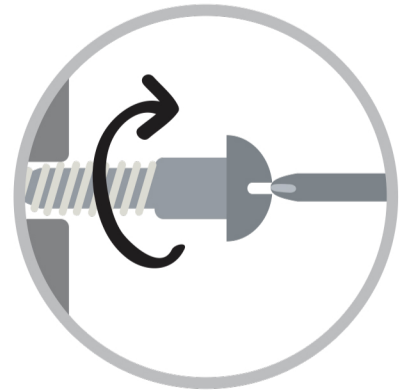
ASSEMBLY AND CARE ADVICE



FAILURE TO FOLLOW THE GUIDELINES BELOW MAY RESULT IN INJURY AND/OR PROPERTY DAMAGE.



Position each part correctly and insert screws or bolts into their respective holes.

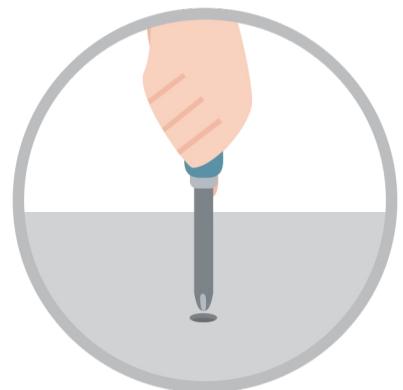


Turn clockwise to tighten and only tighten when step is completed or when instructed to do so.



Save the instructions and store any supplied tools for later maintenance.

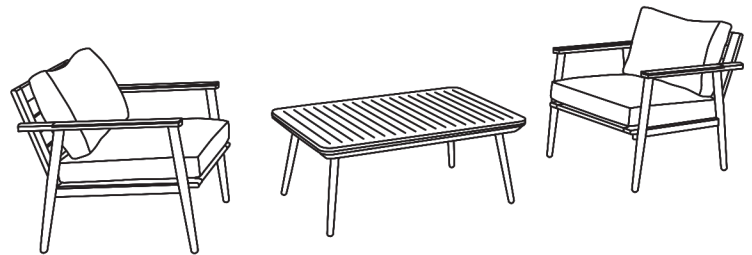
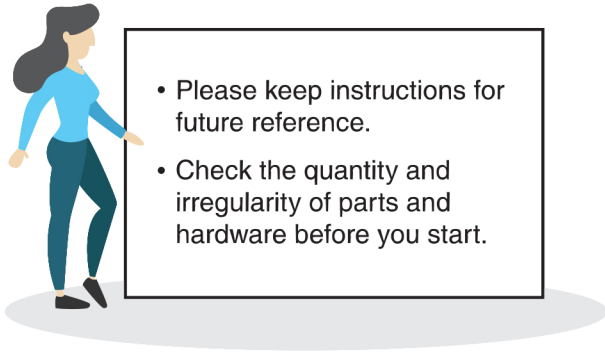
Use the appropriate hand tools or power tools for assembly. Select steps, such as tightening screws and/or bolts, may require hand tools to avoid causing damage during assembly.



After two weeks, check and tighten any loose hardware and repeat again every six months thereafter.

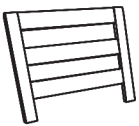
IT IS THE USER'S RESPONSIBILITY TO MAINTAIN THE FURNITURE. THE HARDWARE MAY LOOSEN OVER TIME AND MAY CAUSE THE FURNITURE TO BE WOBBLY AND UNABLE TO SUPPORT ITS INTENDED WEIGHT CAPACITY. THIS MAY LEAD TO COLLAPSE AND MAY CAUSE SERIOUS INJURY.

TABLE SET



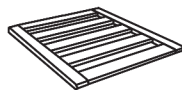
PARTS

#1 2pcs



Chair Back

#2 2pcs



Chair Seat

#3 2pcs



Left Arm

#4 2pcs



Right Arm

#5 1pc

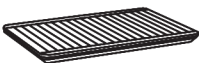


Table Top

#6 4pcs



Table Leg

#7 2pcs



Seat Cushion

#8 2pcs



Back Cushion

HARDWARE

#A 4pcs



Bolt M6 x 45mm

#B 8pcs



Bolt M6 x 38mm

#C 2pcs



Gasket

#D 20pcs



Flat Washer

#E 1pc



Allen Wrench

#F 12pcs



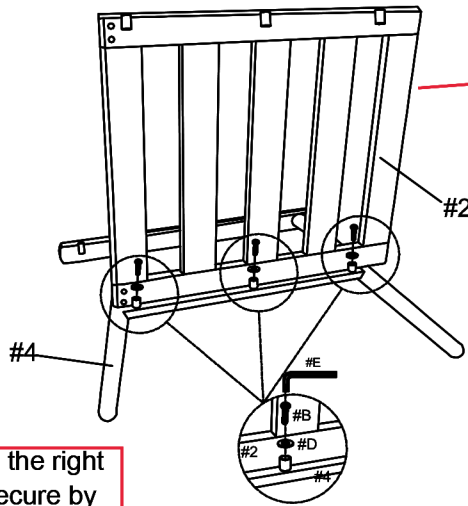
Bolt M6 x 20mm

ASSEMBLY INSTRUCTIONS

1

- Part #1 x 1pc
- Part #2 x 1pc
- Part #3 x 1pc
- Part #4 x 1pc
- Hardware #A x 4pcs
- Hardware #B x 8pcs
- Hardware #C x 2pcs
- Hardware #D x 8pcs

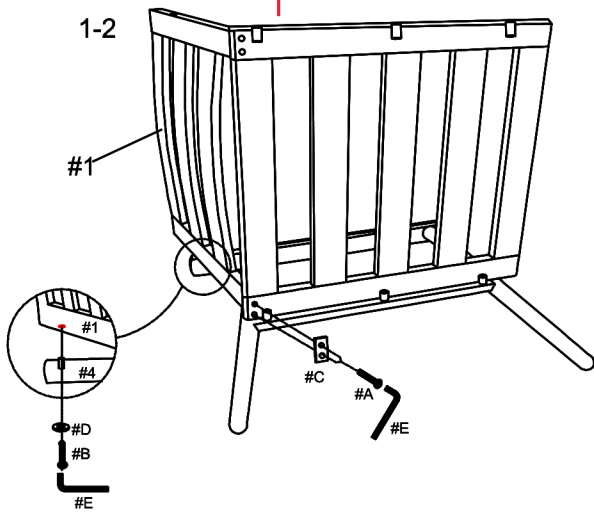
1-1



1) Align chair seat (#2) to right arm (#4), then secure by using bolts (#B) with washers (#D).

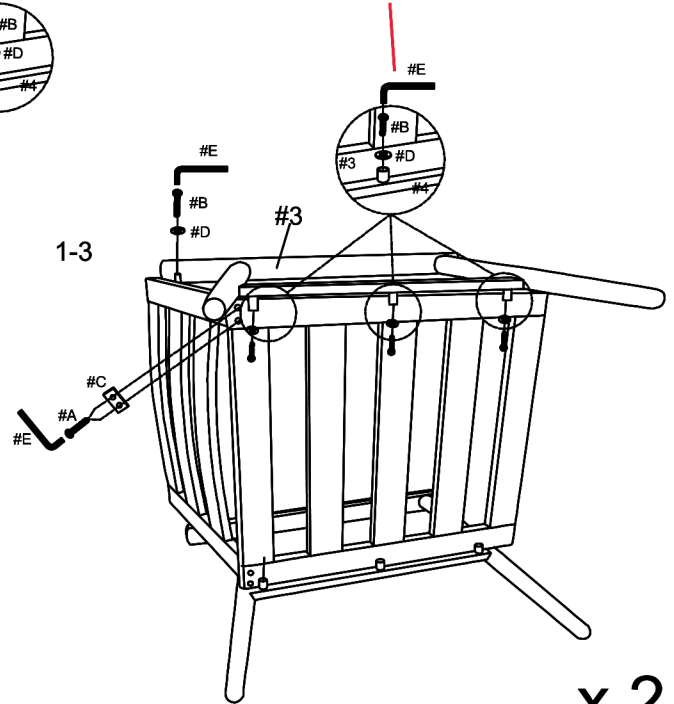
2) Align chair back (#1) to the right arm (#4) and seat (#2). Secure by using bolts (#B) with washers (#D) and bolts (#A) with bracket (#C).

1-2



3) Align left arm (#3) to the seat (#2) and back (#1). Secure by using bolts (#B) with washers (#D) and bolts (#A) with brackets (#C).

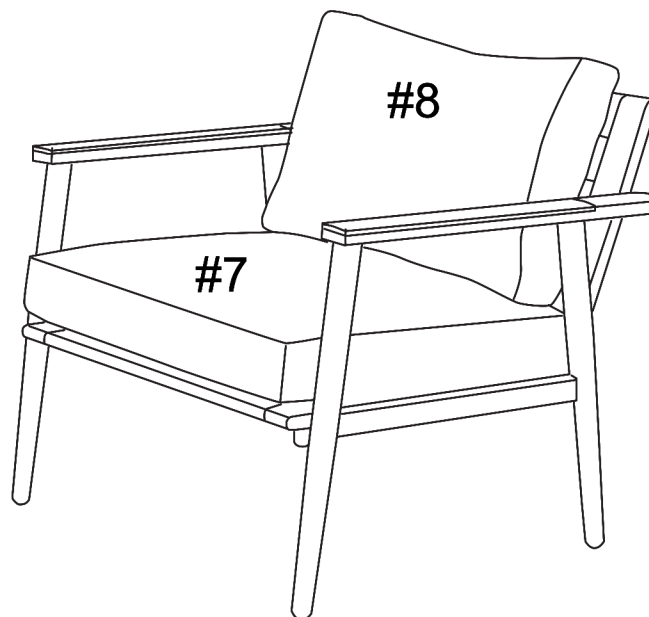
1-3



x 2

2

- Part #7 x 1pc
- Part #8 x 1pc



x 2

ASSEMBLY INSTRUCTIONS

Align legs (#6) to the top (#5), then secure by using bolts (#F) with washers (#D).

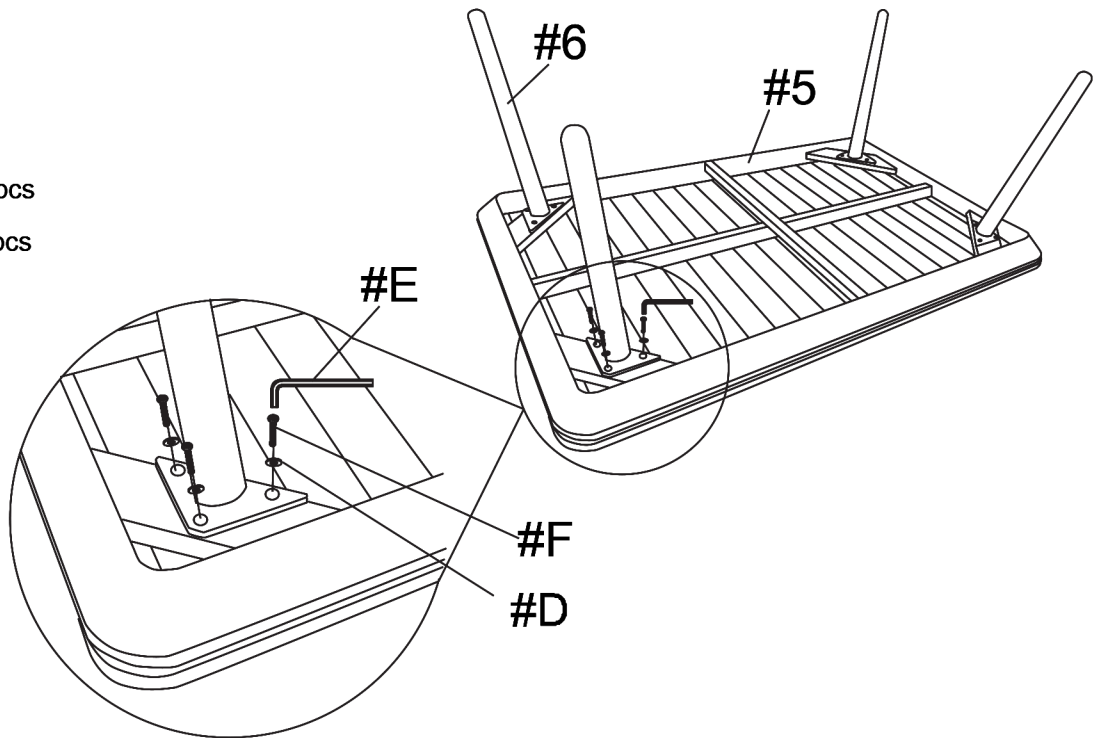
3

Part (#5) x 1pc

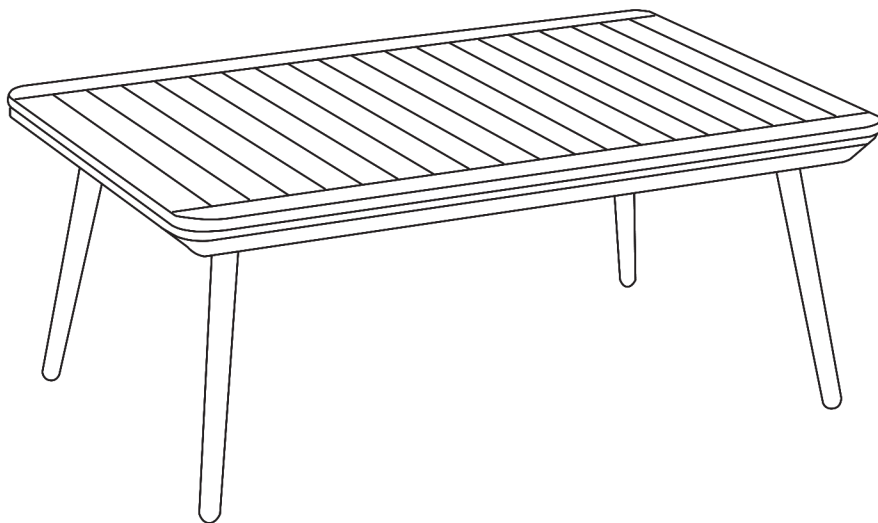
Part (#6) x 4pcs

Hardware (#F) x 12pcs

Hardware (#D) x 12pcs

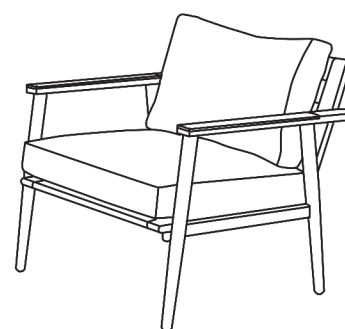
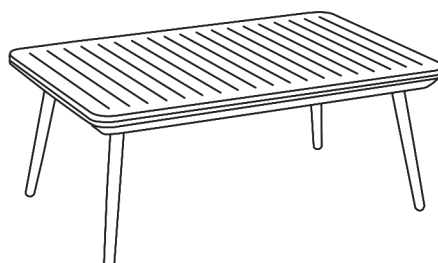
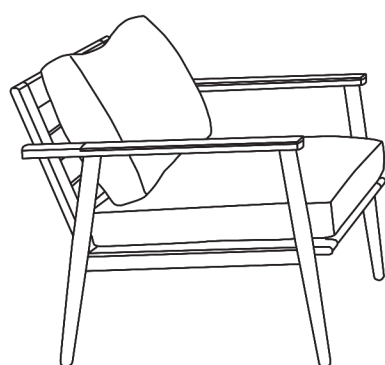


4



ASSEMBLY INSTRUCTIONS

5



ASSEMBLY COMPLETED



Please ensure the furniture rests on an even and flat surface. If the product wobbles or feels loose, double-check all bolts and/or screws are properly tightened and secured.



Keep this handy!

Please retain this instruction manual and any order-related information for future reference.



Lift, don't drag!

To avoid damage to product please always LIFT the product when transporting or adjusting the placement.