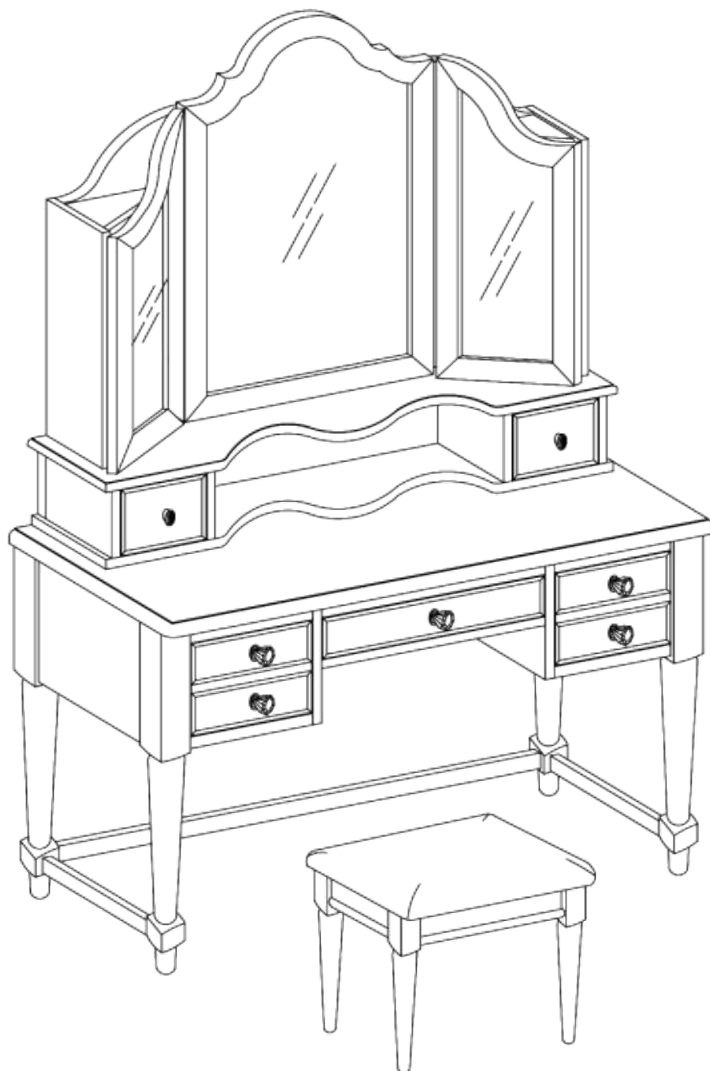


ASSEMBLY INSTRUCTIONS



TOOLS REQUIRED



Allen Wrench

(Included)



Phillips
Screwdriver

(Not Included)



2 - People
Recommended

ASSEMBLY RATING



EASY ————— DIFFICULT

The Assembly Rating is a 5-point system showing the level of effort needed to assemble a specific product.



CHECK BEFORE STARTING

Are you missing anything?

Double-check all parts, hardware and accessories listed are all accounted for.

Check out our Quick Tips!

We recommend reviewing the pre-assembly handouts. Even experts need a refresher now and then!

Should we send any replacements?

Are there any irregularities or flaws in the parts? We can send replacements!

Prep Time!

Please review the assembly instructions and all diagrams prior to assembling.

PRE ASSEMBLY INTRODUCTION

We understand building ready-to-assemble furniture can be a challenging experience for some. To help avoid confusion, we have provided some helpful tips that may speed up the process.



Teamwork

ALWAYS have at least two people to help with transporting and assembling the product to avoid potential injury and/or damage.



Suitable Location

Assembling near the area of the intended location is highly recommended.



Sufficient Space

Make sure you have enough space to move around during the assembly.



Avoid Scratches

Use cardboard, blankets or a carpeted area while assembling furniture to prevent to prevent scratches and damages.



Flat Surface

Make sure the furniture rests on a flat and level surface with each leg evenly touching the floor.

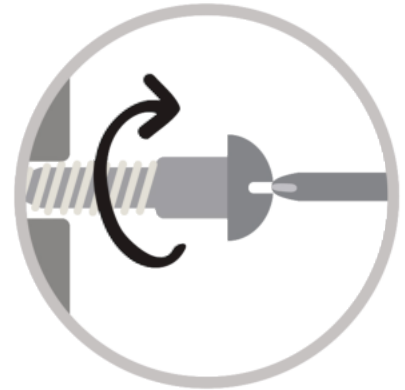
ASSEMBLY AND CARE ADVICE



FAILURE TO FOLLOW THE GUIDELINES BELOW MAY RESULT IN INJURY AND/OR PROPERTY DAMAGE.



Position each part correctly and insert screws or bolts into their respective holes.



Turn clockwise to tighten and only tighten when step is completed or when instructed to do so.



Use the appropriate hand tools or power tools for assembly. Select steps, such as tightening screws and/or bolts, may require hand tools to avoid causing damage during assembly.



Save the instructions and store any supplied tools for later maintenance.



After two weeks, check and tighten any loose hardware and repeat again every six months thereafter.

IT IS THE USER'S RESPONSIBILITY TO MAINTAIN THE FURNITURE. THE HARDWARE MAY LOOSEN OVER TIME AND MAY CAUSE THE FURNITURE TO BE WOBBLY AND UNABLE TO SUPPORT ITS INTENDED WEIGHT CAPACITY. THIS MAY LEAD TO COLLAPSE AND MAY CAUSE SERIOUS INJURY.

CAM LOCK FASTENER ASSEMBLY INSTRUCTIONS

Note :

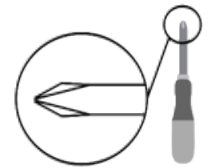
Every cam lock bolt must have a cam lock connector in order to fasten the parts together.



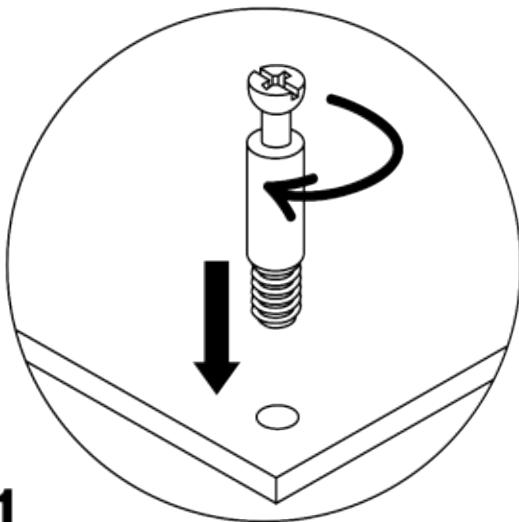
cam bolt



cam lock

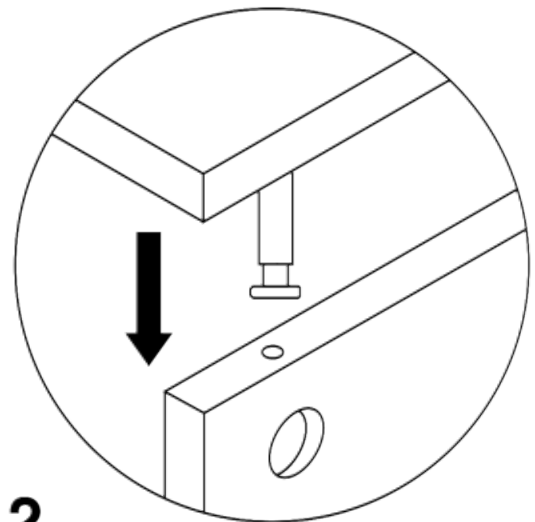


screwdriver



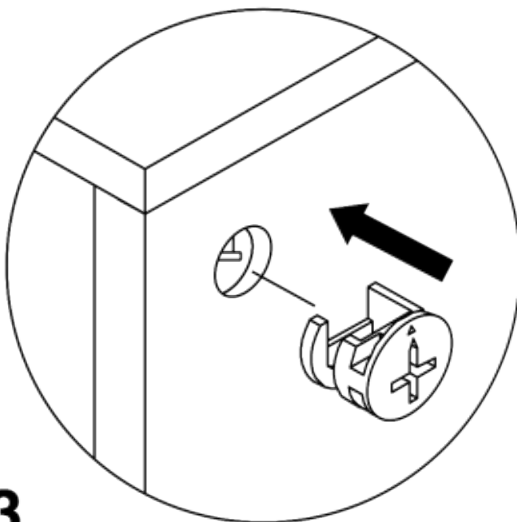
1

Screw the cam bolt into panel.



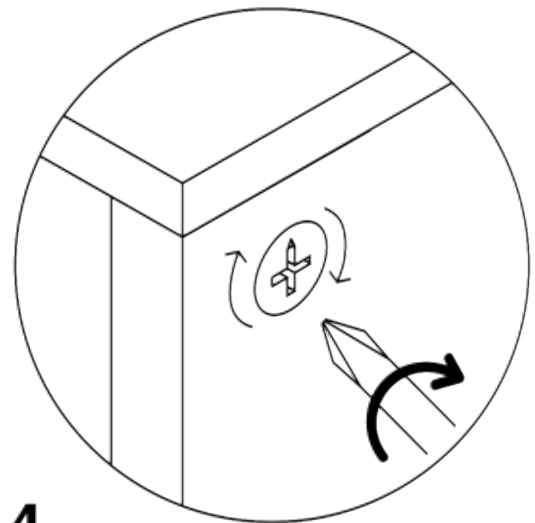
2

Insert the cam bolt into the bolt hole of joint panel.



3

Align the cam lock with its side opening (or arrow) pointing to cam bolt.



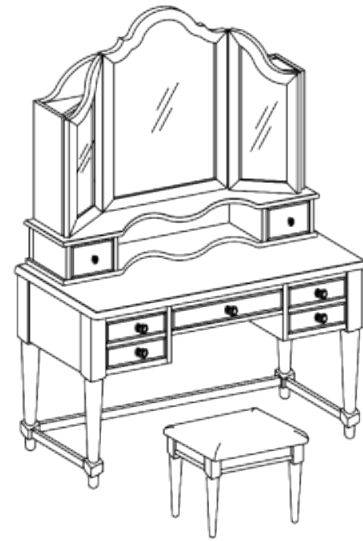
4

Turn the cam lock clockwise gently until it will not turn any more.

VANITY SET



- Please keep instructions for future reference.
- Check the quantity and irregularity of parts and hardware before you start.



PARTS

#1 1pc

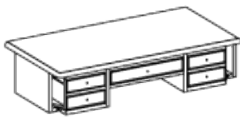
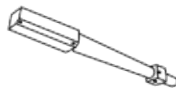


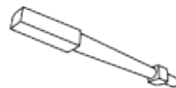
Table Top

#2 2pcs



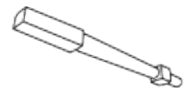
Rear Leg

#3 1pc



Left front Leg

#4 1pc



Right front Leg

#5 1pc



Bottom cross

#6 2pcs



Bottom side

#7 1pc



Upper base plate

#8 4pcs



Upper middle partition

#9 1pc



Upper back panel

#10 1pc



Upper panel

#11 2pcs



Upper drawer box

#12 1pc



Mirror

#13 1pc



Right of rear plate of corner shelf

#14 1pc



Left of rear plate of corner shelf

#15 1pc



Right angle frame side panel

#16 1pc



Left angle frame side panel

#17 1pc



Corner shelf
right shelf

#18 1pc



Corner shelf
Left shelf

#19 2pcs



In the right
shelf of the
corner shelf

#20 2pcs



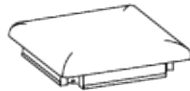
In the left
shelf of the
corner shelf

#21 2pcs



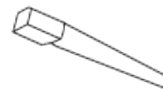
Mirror support rail

#22 1pc



Stool Seat

#23 4pcs



Stool Leg

HARDWARE

#A 16pcs



Bolt Ø1/4" x 2"

#B 8pcs



Bolt Ø1/4" x 2-3/8"

#C 24pcs



Lock washer Ø1/4"

#D 24pcs



Washer
Ø5/16" x 19mm

#E 1pc



Allen Wrench
4mm

#F 14pcs



Wood Dowel
Ø8 x 1-3/16"

#G 30pcs



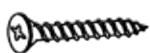
Cam Bolt
7.5 x 35mm

#H 30pcs



Cam Lock
Ø15 x 12mm

#I 6pcs



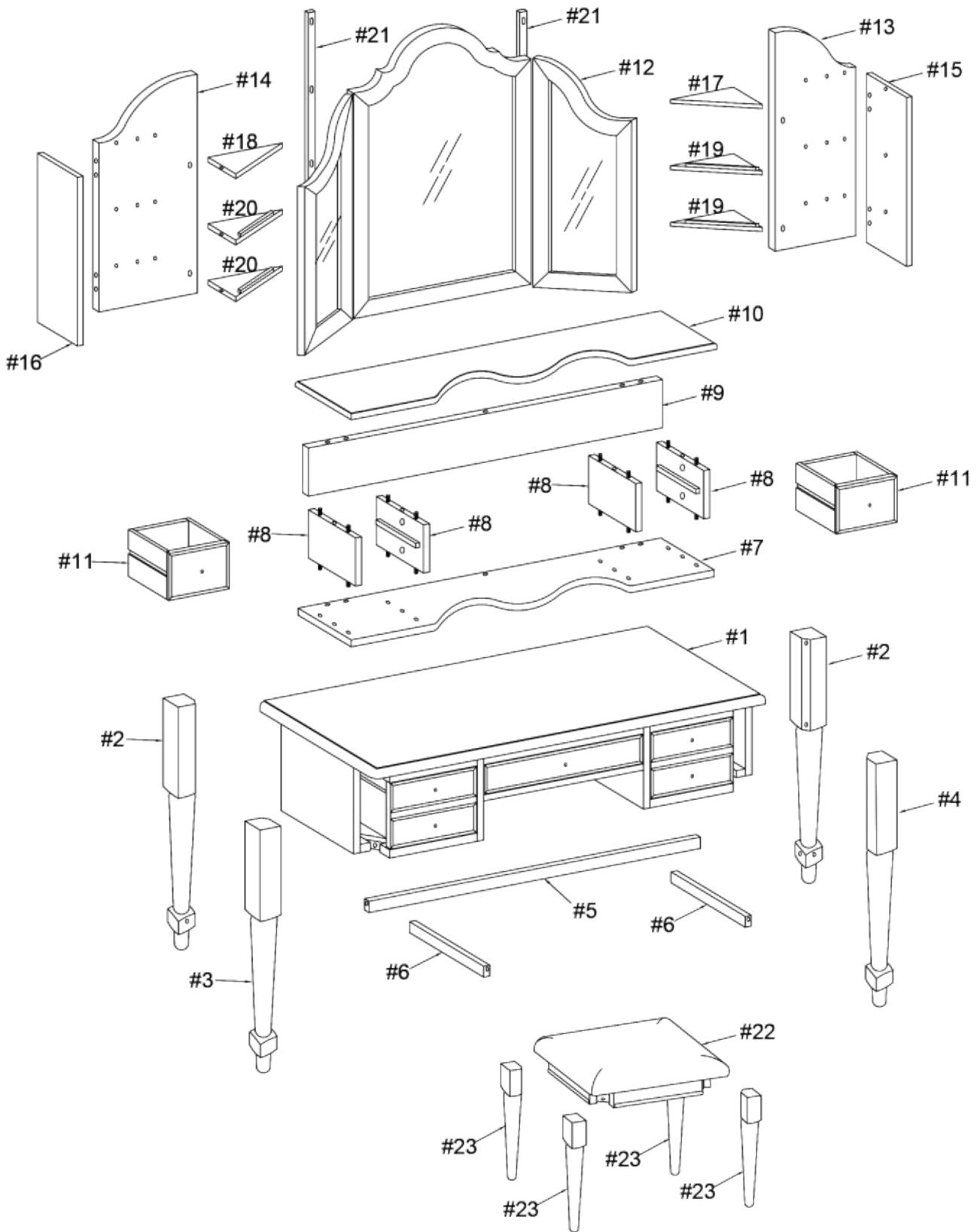
Screw #4 x 1-1/2"

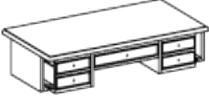










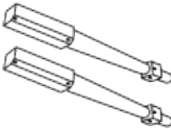

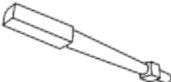

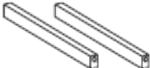

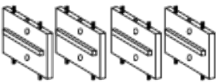


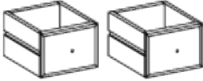
#J 1set


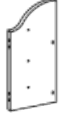





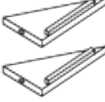
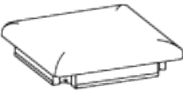

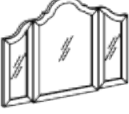



Anti-tip Skit

Exploded View



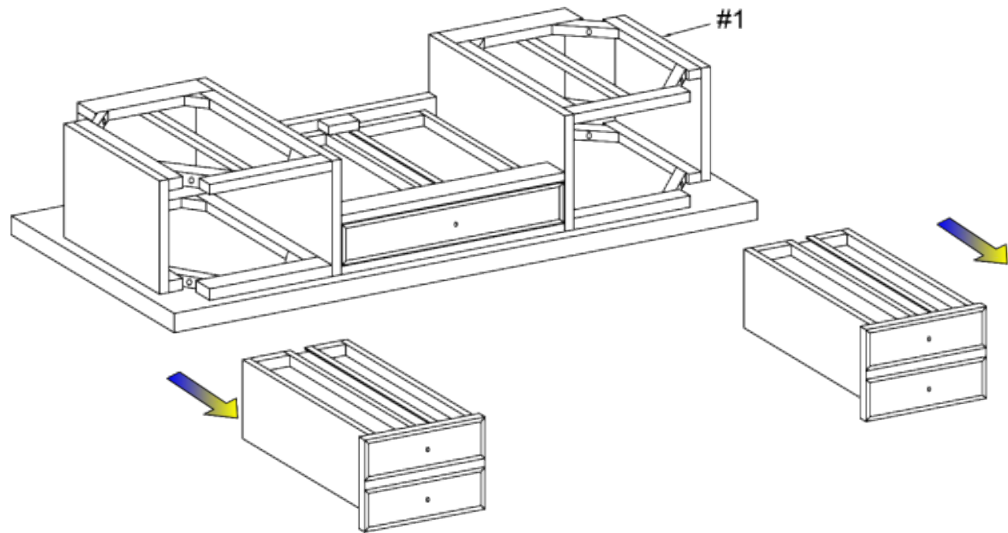
| Carton | Disignation | Part | Hardware |
|--------|------------------------------|--|---|
| | Table Top | #1  |  #A x 16pcs  #B x 8pcs  #C x 24pcs  #D x 24pcs  #E x 1pc  #F x 14pcs  #G x 30pcs  #H x 30pcs  #I x 6pcs  #J x 1set |
| | Rear Leg(2pcs) | #2  | |
| | Left Front Leg | #3  | |
| | Right Front Leg | #4  | |
| | Bottom Cross | #5  | |
| | Bottom Side(2pcs) | #6  | |
| | Upper base plate | #7  | |
| | Upper middle partition(4pcs) | #8  | |
| | Upper back panel | #9  | |
| | Upper panel | #10  | |
| | Upper drawer box (2pcs) | #11  | |

| Carton | Disignation | Part | | Hardware |
|--------|---|------|--|----------|
| | Right of rear plate of corner shelf | #13 |  | |
| | Left of rear plate of corner shelf | #14 |  | |
| | Right angle frame side panel | #15 |  | |
| | Left angle frame side panel | #16 |  | |
| | Corner shelf right shelf | #17 |  | |
| | Corner shelf Left shelf | #18 |  | |
| | In the right shelf of the corner shelf (2pcs) | #19 |  | |
| | In the left shelf of the corner shelf (2pcs) | #20 |  | |
| | Stool Seat | #22 |  | |
| | Stool Leg(4pcs) | #23 |  | |
| | Mirror | #12 |  | |
| | Mirror support rail (2pcs) | #21 |  | |

ASSEMBLY INSTRUCTIONS

1

Part #1 x1pc



2

Part #2 x1pc

Part #4 x1pc

Part #6 x1pc

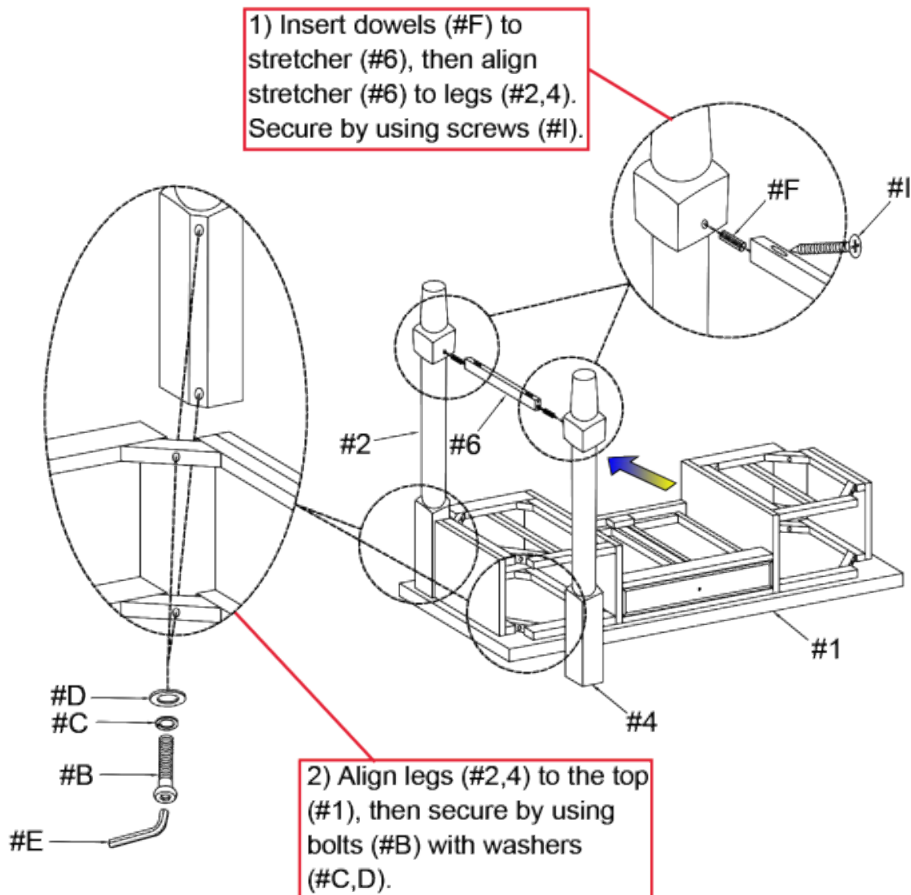
Hardware #B x4pcs

Hardware #C x4pcs

Hardware #D x4pcs

Hardware #F x2pcs

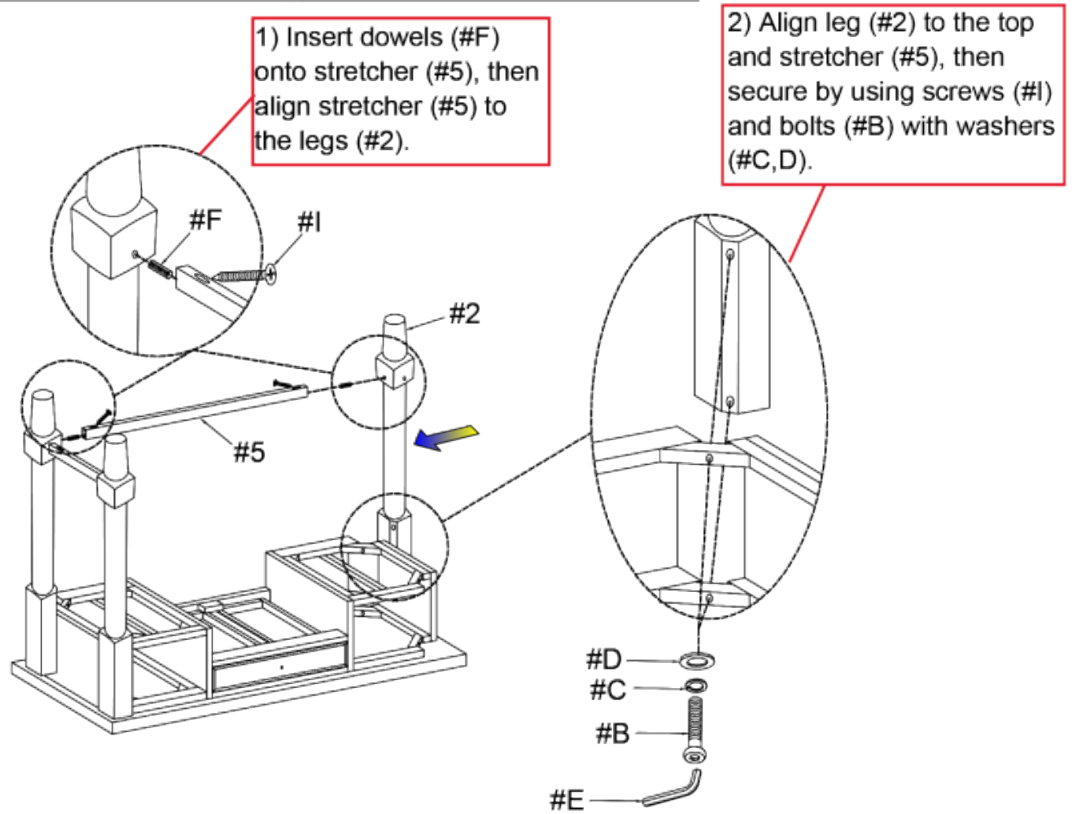
Hardware #I x2pcs



ASSEMBLY INSTRUCTIONS

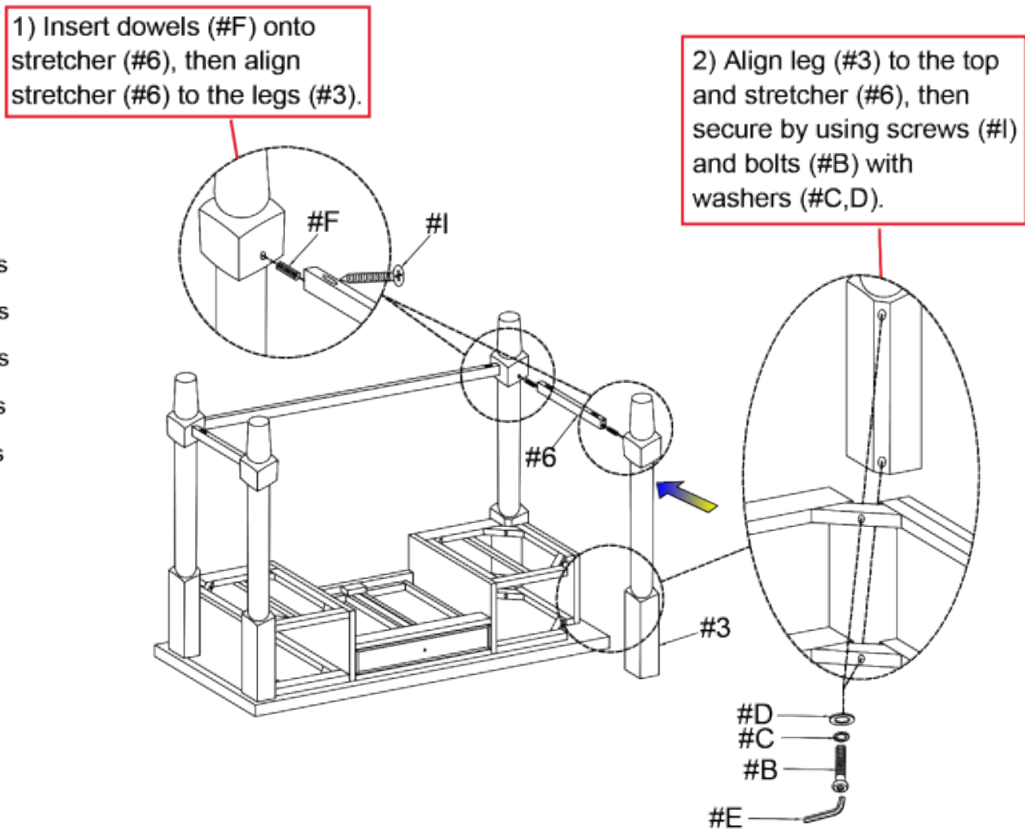
3

- Part #2 x1pc
- Part #5 x1pc
- Hardware #B x2pcs
- Hardware #C x2pcs
- Hardware #D x2pcs
- Hardware #F x2pcs
- Hardware #I x2pcs



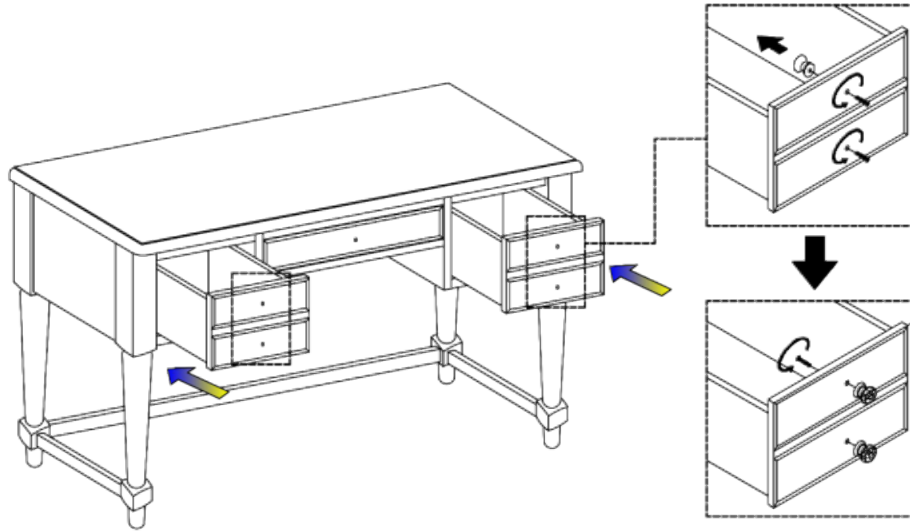
4

- Part #3 x1pc
- Part #6 x1pc
- Hardware #B x2pcs
- Hardware #C x2pcs
- Hardware #D x2pcs
- Hardware #F x2pcs
- Hardware #I x2pcs



ASSEMBLY INSTRUCTIONS

5

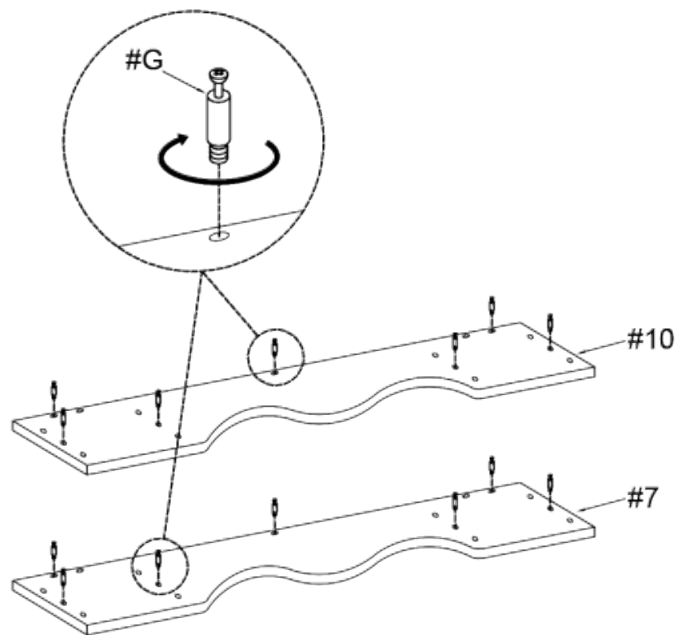


6

Part #7 x1pc

Part #10 x1pc

Hardware #G x14pcs



ASSEMBLY INSTRUCTIONS

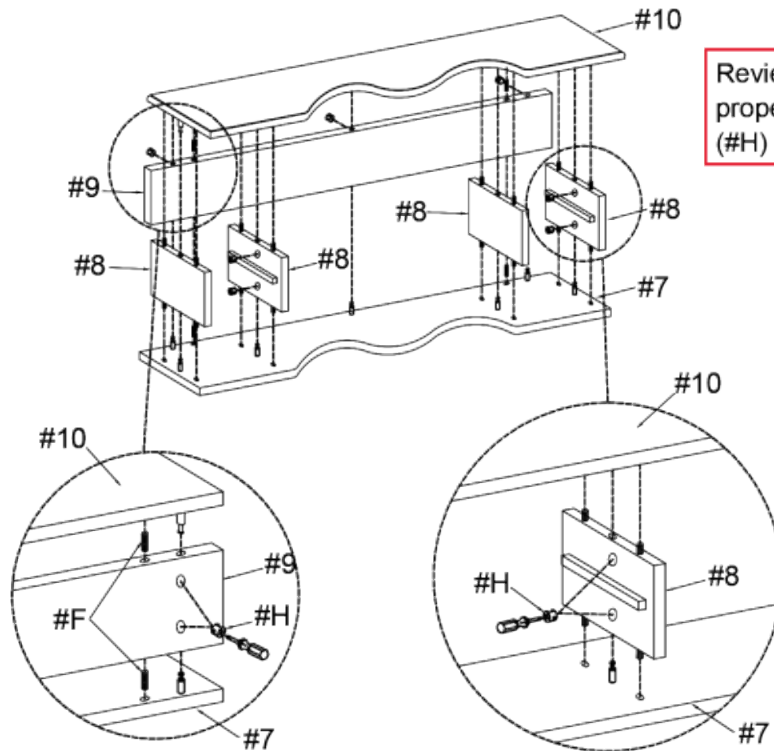
7

Part #8 x4pcs

Part #9 x1pc

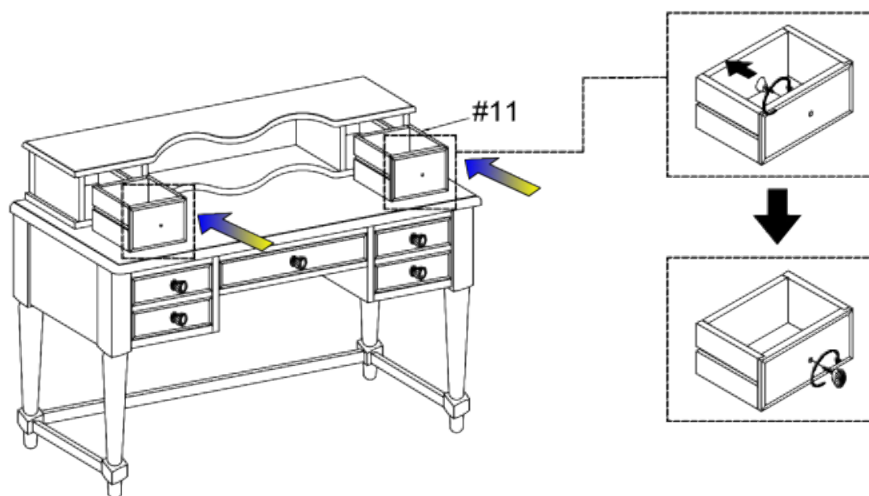
Hardware #F x4pcs

Hardware #H x14pcs



8

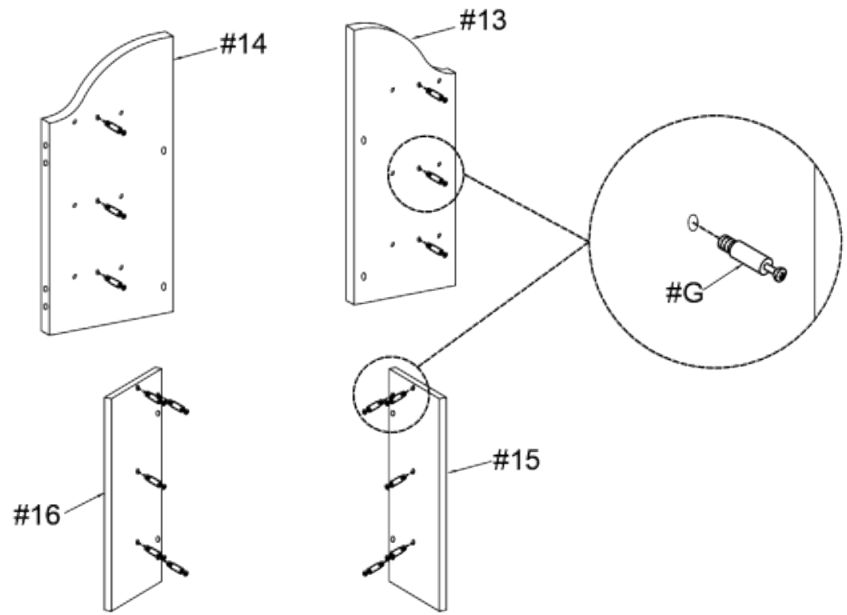
Part #11 x2pcs



ASSEMBLY INSTRUCTIONS

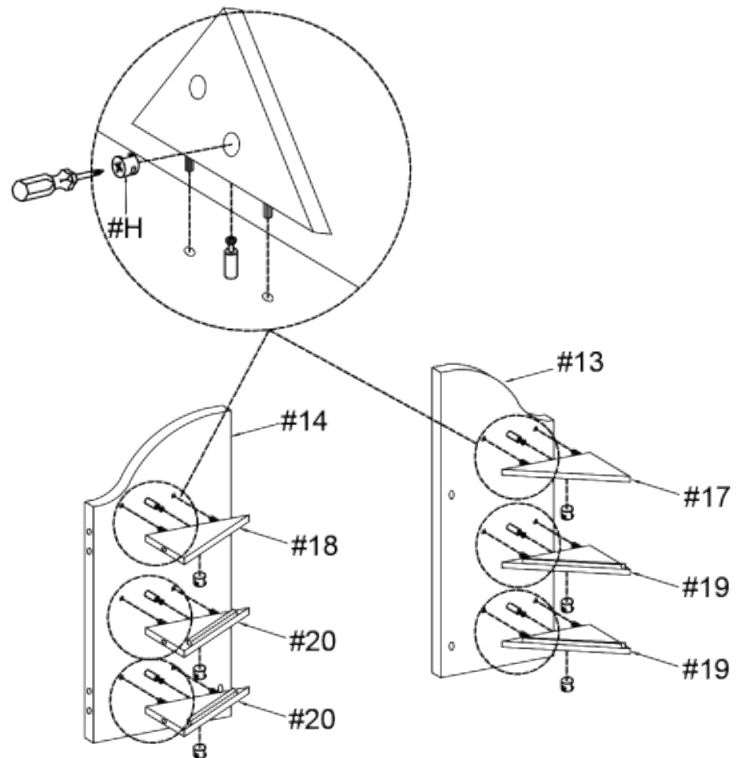
9

- Part #13 x1pc
- Part #14 x1pc
- Part #15 x1pc
- Part #16 x1pc
- Hardware #G x16pcs



10

- Part #17 x1pc
- Part #18 x1pc
- Part #19 x2pcs
- Part #20 x2pcs
- Hardware #H x6pcs

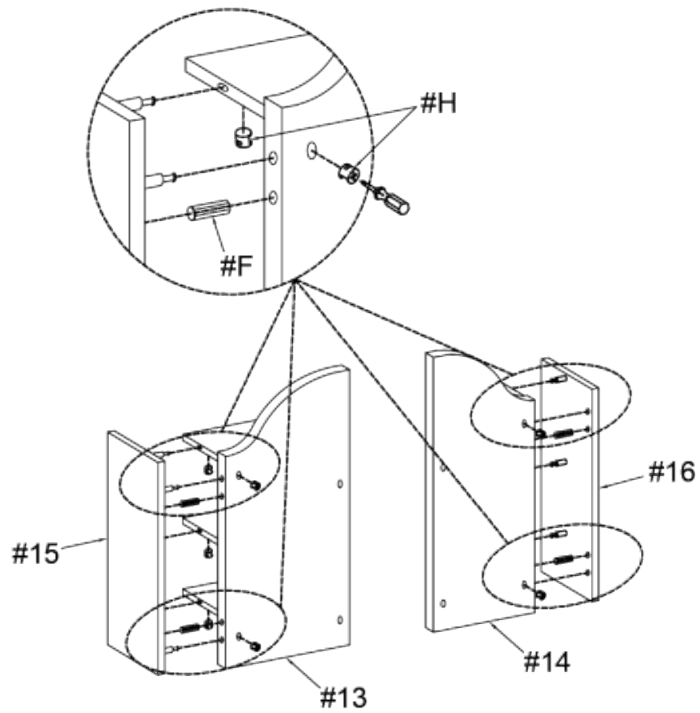


ASSEMBLY INSTRUCTIONS

11

Hardware **#F** x4pcs

Hardware **#H** x10pcs



12

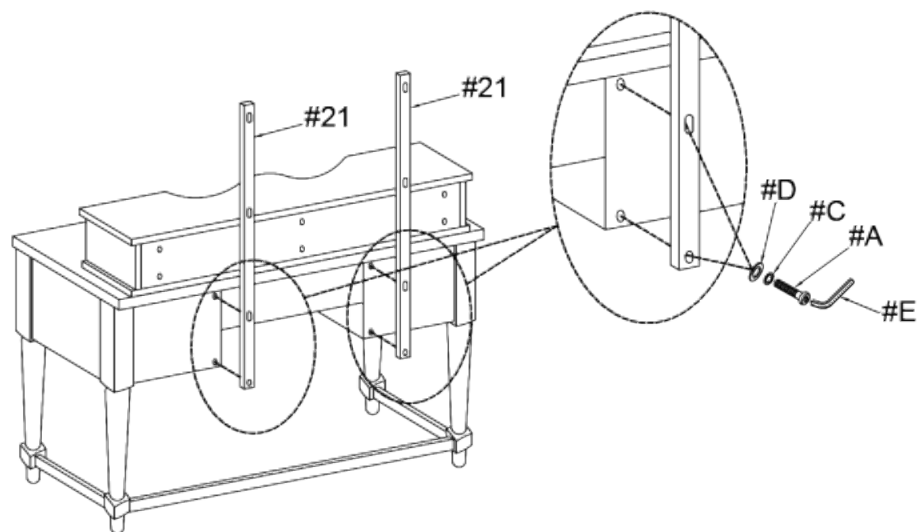
Part **#21** x2pcs

Hardware **#A** x4pcs

Hardware **#C** x4pcs

Hardware **#D** x4pcs

Align mirror supports (#21) to the desk, then secure by using bolts (#A) with washers (#C,D).



ASSEMBLY INSTRUCTIONS

13

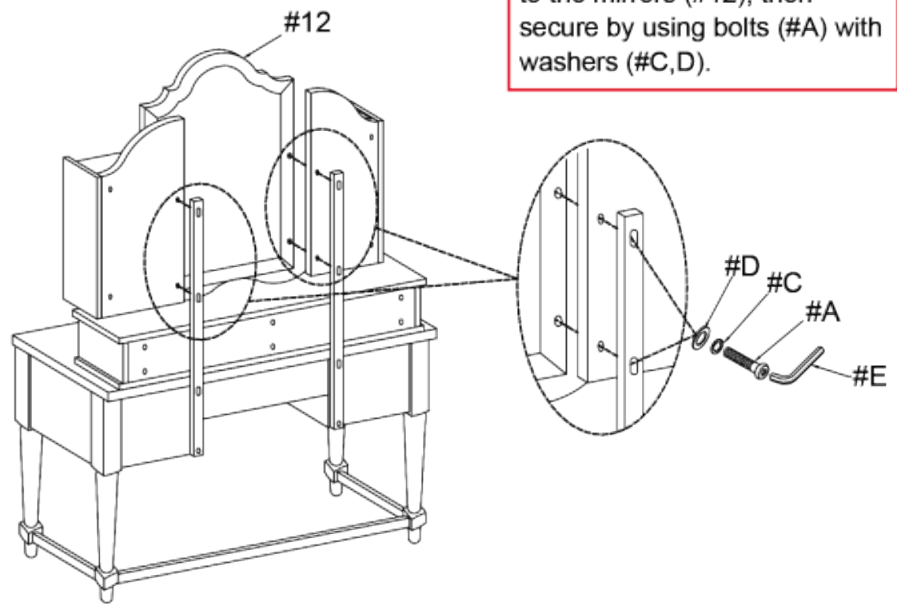
Part #12 x1pc

Hardware #A x4pcs

Hardware #C x4pcs

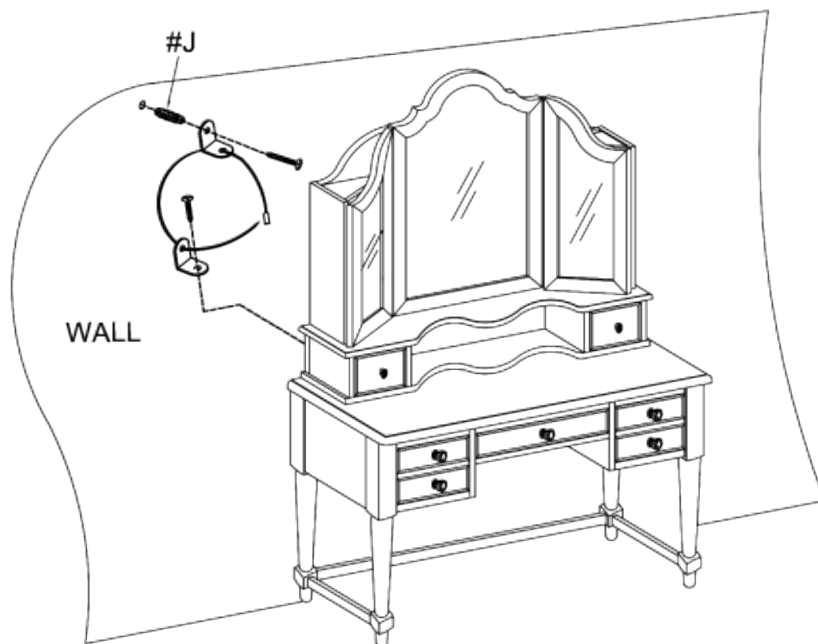
Hardware #D x4pcs

Align mirror support rails (#21) to the mirrors (#12), then secure by using bolts (#A) with washers (#C,D).



14

Hardware #J x1SET



ASSEMBLY INSTRUCTIONS

15

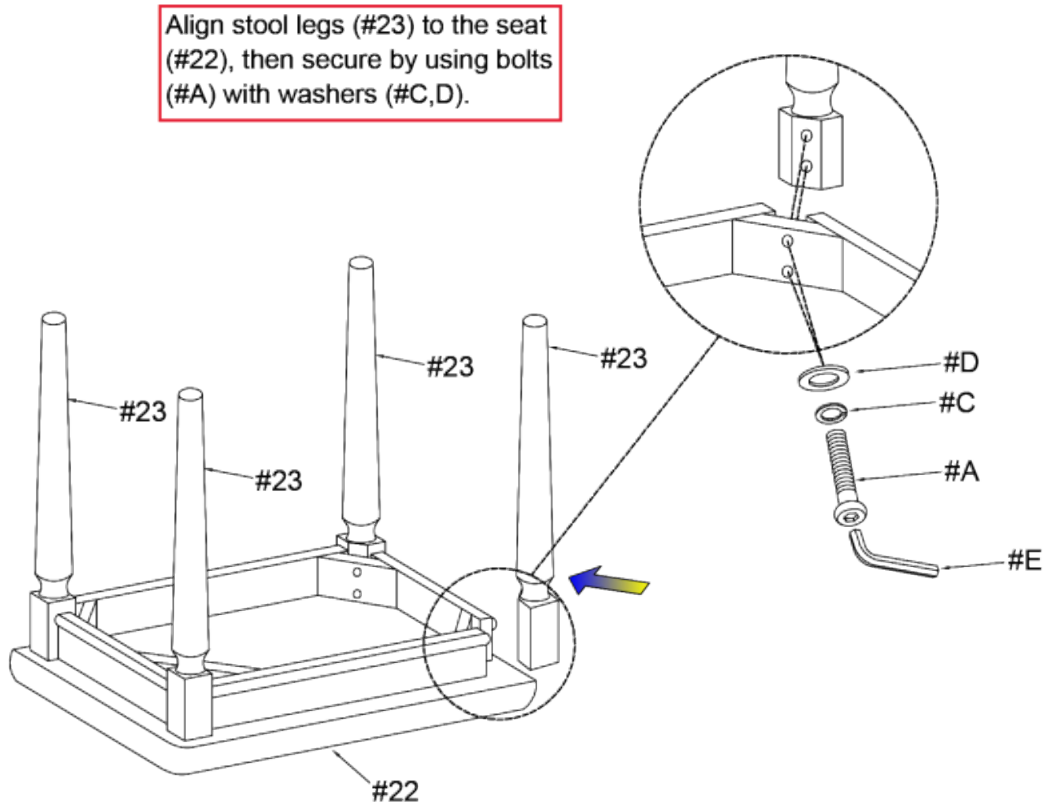
Part #22 x1pc

Part #23 x4pcs

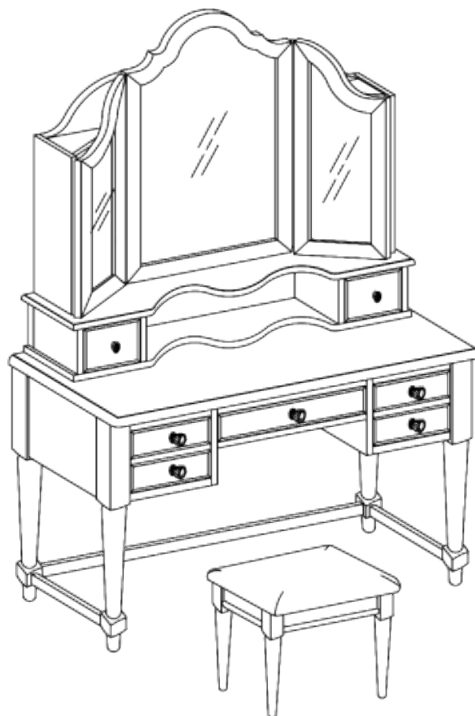
Hardware #A x8pcs

Hardware #C x8pcs

Hardware #D x8pcs



16



ASSEMBLY COMPLETED



Please ensure the furniture rests on an even and flat surface. If the product wobbles or feels loose, double-check all bolts and/or screws are properly tightened and secured.

✓ Keep this handy!

Please retain this instruction manual and any order-related information for future reference.

✓ Lift, don't drag!

To avoid damage to product please always LIFT the product when transporting or adjusting the placement.

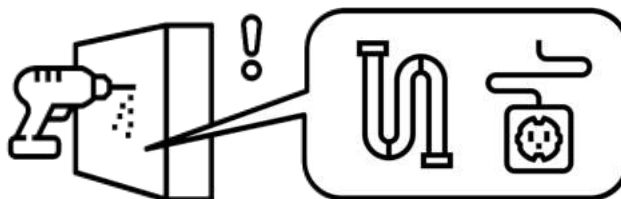
ASSEMBLY INSTRUCTIONS

Wall Mounting and Fixing



EXPANSION WALL ANCHOR

Our provided expansion wall anchors are only suitable for masonry walls, such as drywall, plaster or concrete, and are best for holding lightweight items or for anti-tip prevention. If you are unsure of the correct wall anchor to use with the product, please request professional guidance. Liability for product damage or failure due to using the incorrect anchors will fall on the installer.



CHECK BEFORE PROCEEDING

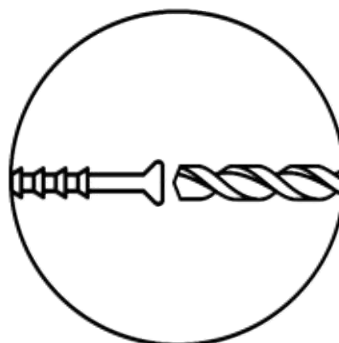
Prior to drilling or hammering, please check for wires or pipes. We recommend using a stud finder to locate a stud, which will offer more appropriate resistance and hold more weight.

QUICK TIPS

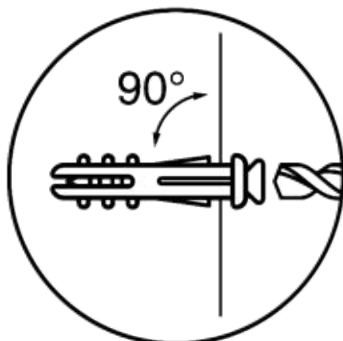
1. If unsure of the proper size, always choose a larger screw and wall anchor.



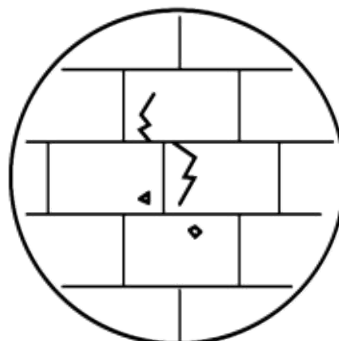
2. Match the drill bit to the wall anchor and hole size.



3. Only drill horizontally. Do not force the drill or enlarge the hole for the wall anchor.



4. Take extra care when drilling into high walls or ceramic tiles. Wall anchors should be a tight fit for the hole. Never use wall anchors in ceilings.



MAINTENANCE



We recommend a yearly check to see if the wall anchor or screw has loosened. If so, please remove the existing wall anchor and screw, and use a new anchor.