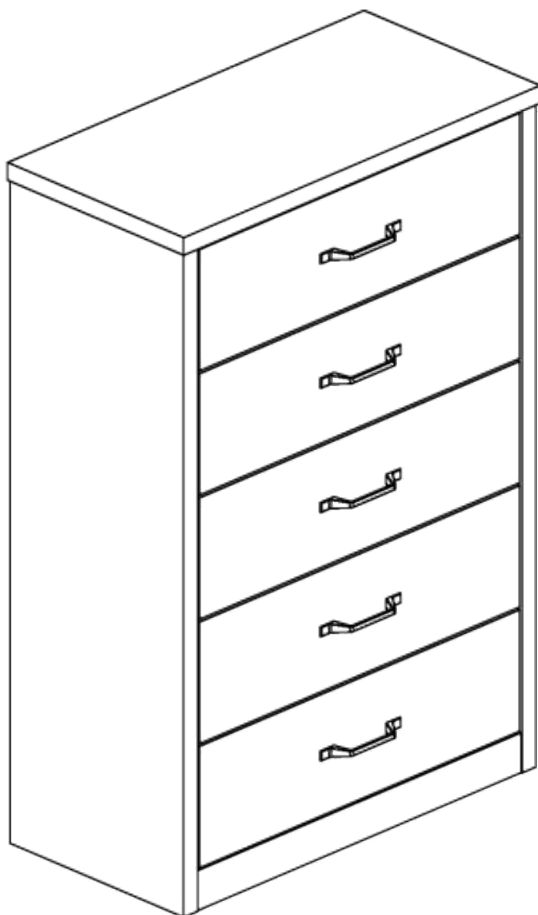


ASSEMBLY INSTRUCTIONS



TOOLS REQUIRED



Allen Wrench

(Included)



Phillips
Screwdriver

(Not Included)



**2 - People
Recommended**

ASSEMBLY RATING



EASY —————> DIFFICULT

The Assembly Rating is a 5-point system showing the level of effort needed to assemble a specific product.



CHECK BEFORE STARTING

Are you missing anything?

Double-check all parts, hardware and accessories listed are all accounted for.

Check out our Quick Tips!

We recommend reviewing the pre-assembly handouts. Even experts need a refresher now and then!

Should we send any replacements?

Are there any irregularities or flaws in the parts? We can send replacements!

Prep Time!

Please review the assembly instructions and all diagrams prior to assembling.

PRE ASSEMBLY INTRODUCTION

We understand building ready-to-assemble furniture can be a challenging experience for some. To help avoid confusion, we have provided some helpful tips that may speed up the process.



Teamwork

ALWAYS have at least two people to help with transporting and assembling the product to avoid potential injury and/or damage.



Suitable Location

Assembling near the area of the intended location is highly recommended.



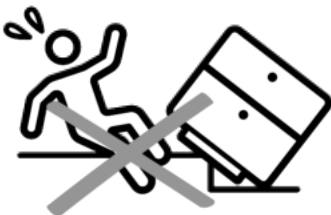
Sufficient Space

Make sure you have enough space to move around during the assembly.



Avoid Scratches

Use cardboard, blankets or a carpeted area while assembling furniture to prevent to prevent scratches and damages.



Flat Surface

Make sure the furniture rests on a flat and level surface with each leg evenly touching the floor.

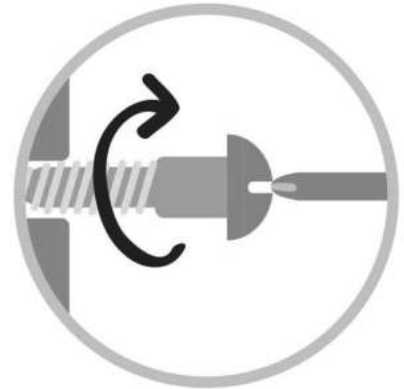
ASSEMBLY AND CARE ADVICE



FAILURE TO FOLLOW THE GUIDELINES BELOW MAY RESULT IN INJURY AND/OR PROPERTY DAMAGE.



Position each part correctly and insert screws or bolts into their respective holes.



Turn clockwise to tighten and only tighten when step is completed or when instructed to do so.



Use the appropriate hand tools or power tools for assembly. Select steps, such as tightening screws and/or bolts, may require hand tools to avoid causing damage during assembly.



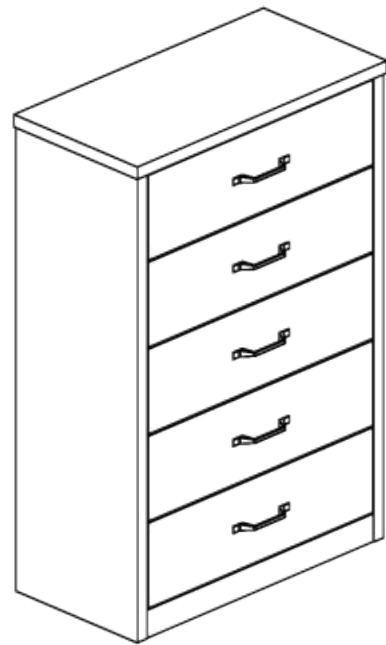
Save the instructions and store any supplied tools for later maintenance.



After two weeks, check and tighten any loose hardware and repeat again every six months thereafter.

IT IS THE USER'S RESPONSIBILITY TO MAINTAIN THE FURNITURE. THE HARDWARE MAY LOOSEN OVER TIME AND MAY CAUSE THE FURNITURE TO BE WOBBLY AND UNABLE TO SUPPORT ITS INTENDED WEIGHT CAPACITY. THIS MAY LEAD TO COLLAPSE AND MAY CAUSE SERIOUS INJURY.

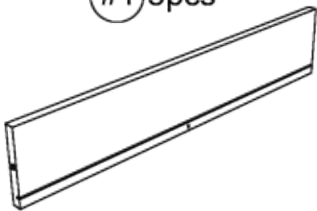
CHEST



- Please keep instructions for future reference.
- Check the quantity and irregularity of parts and hardware before you start.

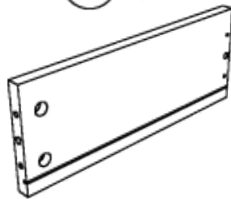
PARTS

#1 5pcs



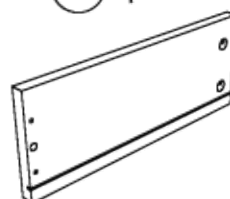
Drawer Back

#2 5pcs



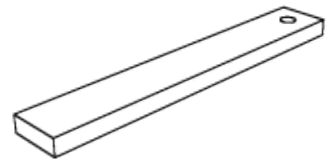
Drawer Side (L)

#3 5pcs



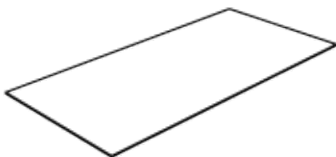
Drawer Side (R)

#4 5pcs



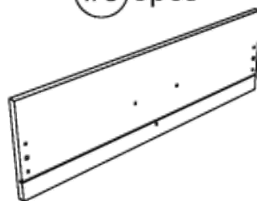
Drawer Bottom Support

#5 5pcs



Drawer Bottom Panel

#6 5pcs



Drawer Head

#7 1pc



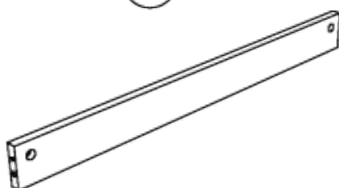
Side Panel (L)

#8 1pc



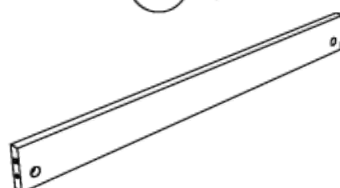
Side Panel (R)

#9 5pcs



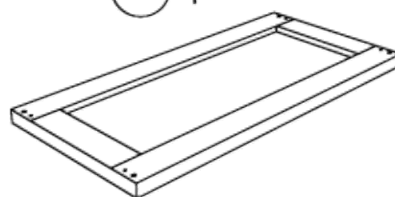
Front Rail

#10 3pcs



Back Rail

#11 1pc



Top Panel

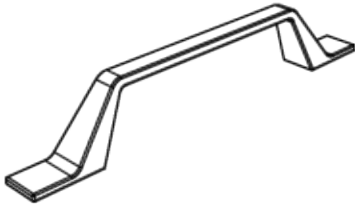
#12 2pcs



Back Panel

HARDWARE

#A 5pcs



Drawer Handle

#B 10pcs



Trust Head Screw
M4x20 mm

#C 70pcs



CSK Screw
M3.5x16 mm

#D 16pcs



Panhead Screw
M4x16 mm

#E 40pcs



Plastic Dowel
M8x25 mm

#F 45pcs



Minifix Cam Lock

#G 45pcs



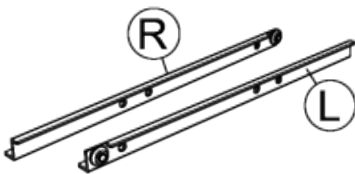
Minifix Cam Bolt
M4x24 mm

#H 25pcs



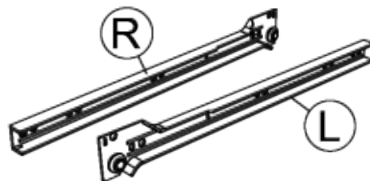
Panhead Screw
M4x32 mm

#I 10pcs



Drawer Slide

#J 10pcs



Body Slide

#K 1set

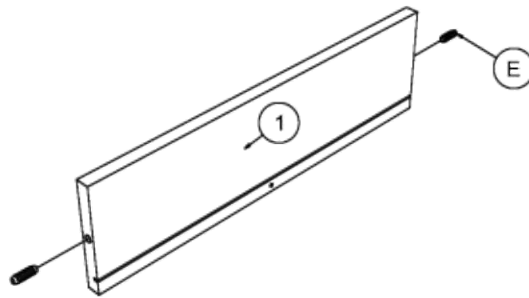


Anti Tipping
Hardware Kit

ASSEMBLY INSTRUCTIONS - DRAWER BOX

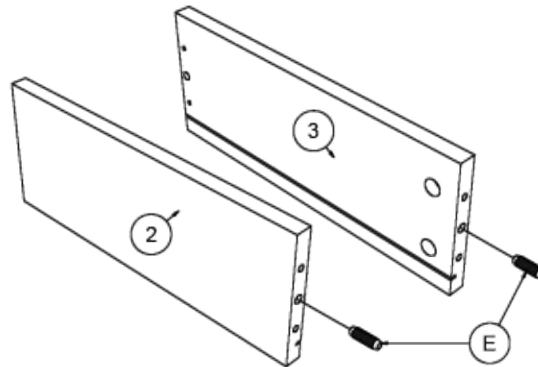
1

Part #1 x5pcs
Hardware #E x10pcs

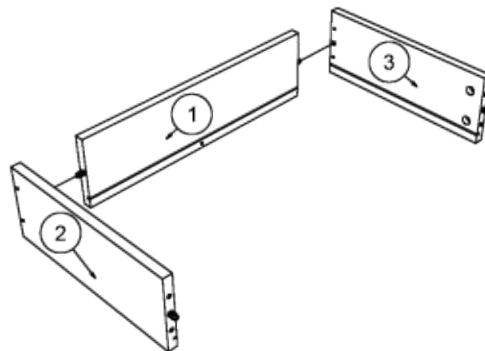


2

Part #2 x5pcs
Part #3 x5pcs
Hardware #E x10pcs

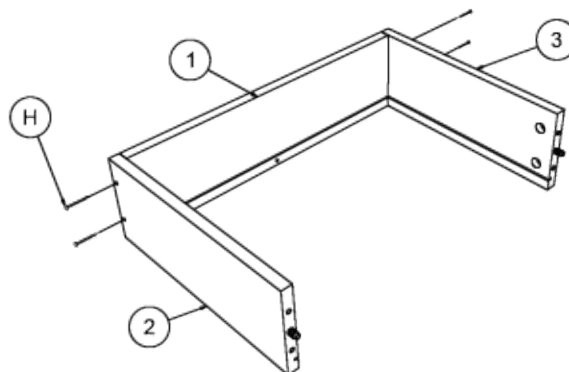


3



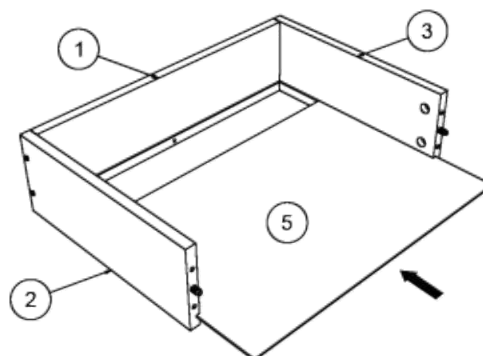
4

Hardware #H x20pcs



5

Part #5 x5pcs

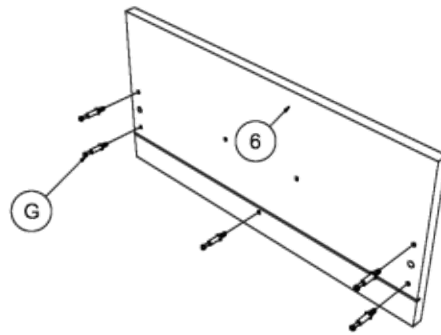


ASSEMBLY INSTRUCTIONS - DRAWER BOX

6

Part #6 x5pcs

Hardware #G x25pcs

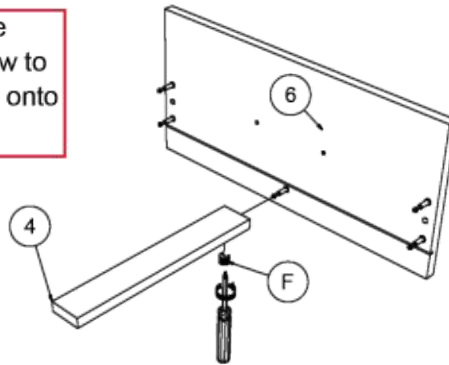


7

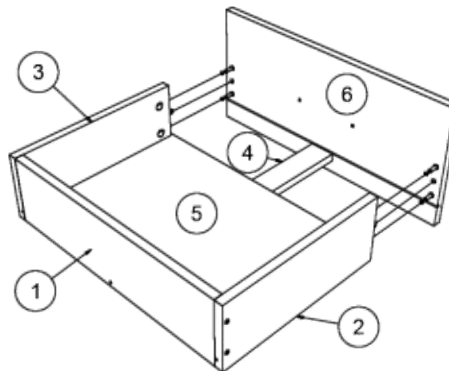
Part #4 x5pcs

Hardware #F x5pcs

Please reference on the bottom of page 9 on how to connect cam bolts (#G) onto cam locks (#F).

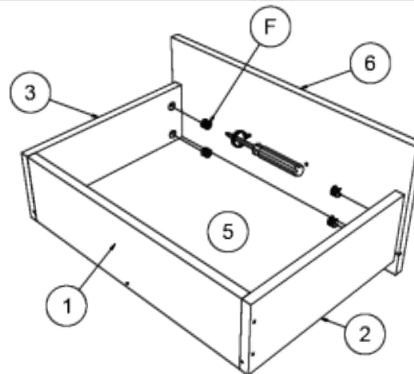


8



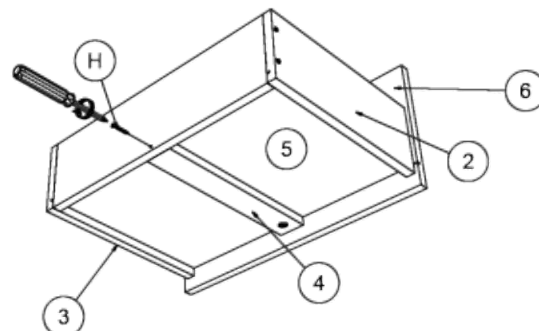
9

Hardware #F x20pcs



10

Hardware #H x5pcs

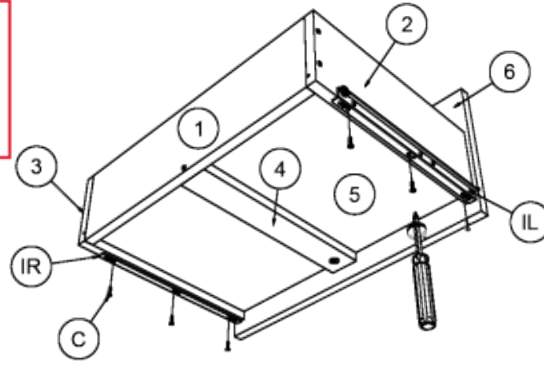


ASSEMBLY INSTRUCTIONS - DRAWER BOX

11

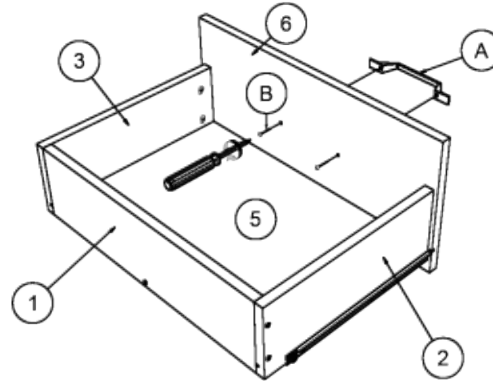
Hardware #C x30pcs
Hardware #I x10pcs

Ensure that the wheel side of the rails (#IR/IL) are towards to back area of the drawers.

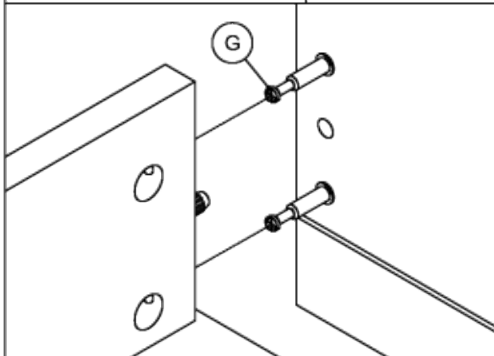


12

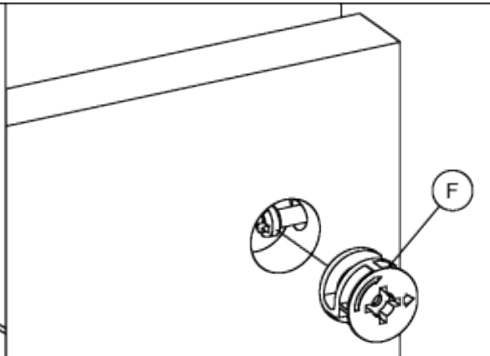
Hardware #A x5pcs
Hardware #B x10pcs



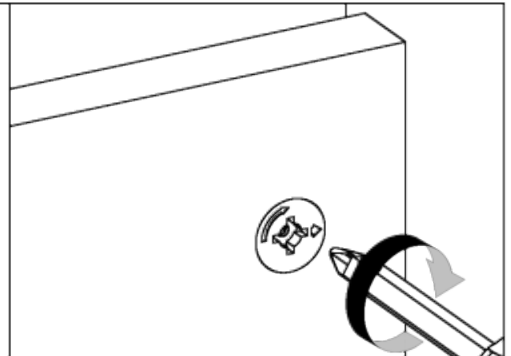
REMINDER !



1. Fix the Cam Bolt (G) first before inserting Cam Lock (F) to ease the assembly process.



2. When inserting Cam Lock (F), always make sure the arrow pointed towards the respective Cam Bolt (G).



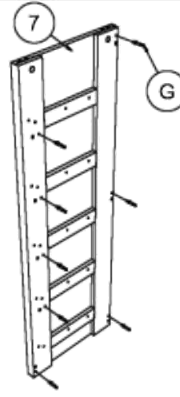
3. Make sure the Cam Lock (F) is completely inserted before turning it clockwise to tighten.

ASSEMBLY INSTRUCTIONS - BODY

1

Part #7 #8 x1pc

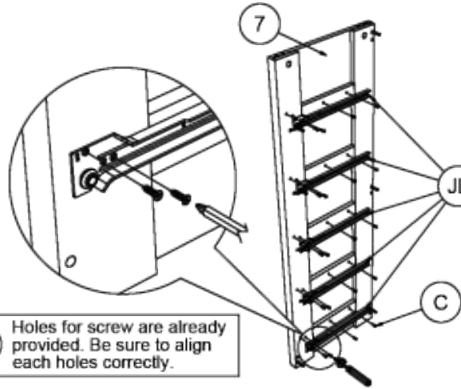
Hardware #G x16pcs



2

Hardware #C x40pcs

Hardware #J x10pcs



Ensure wheel side of the rails (#JL/JR) are facing towards the front of the side panels (#7,8).

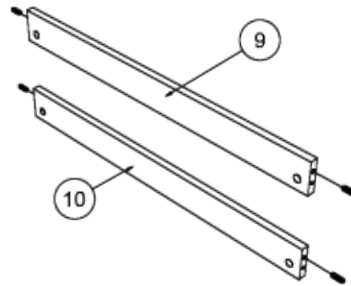
! Holes for screw are already provided. Be sure to align each holes correctly.

3

Part #9 x5pcs

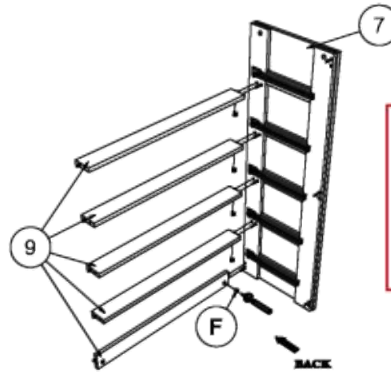
Part #10 x3pcs

Hardware #E x16pcs



4

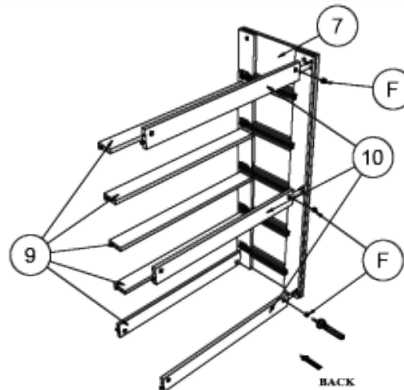
Hardware #F x5pcs



Ensure that the holes where the cam locks go onto panel (#9,10) are either facing back or down when secured onto side panels (#7,8).

5

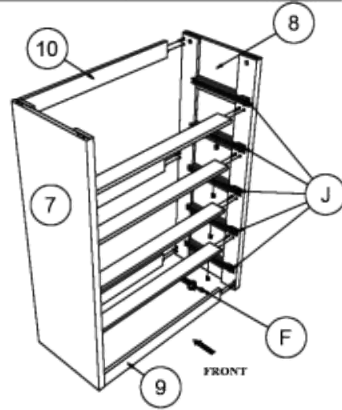
Hardware #F x3pcs



ASSEMBLY INSTRUCTIONS - BODY

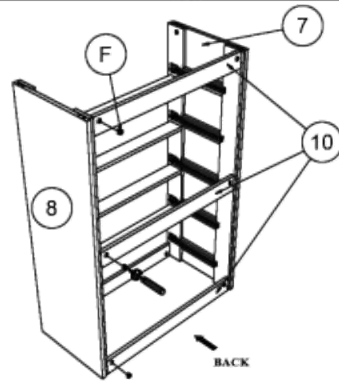
6

Hardware #F x5pcs



7

Hardware #F x3pcs

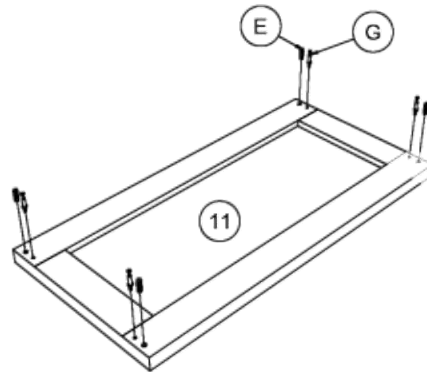


8

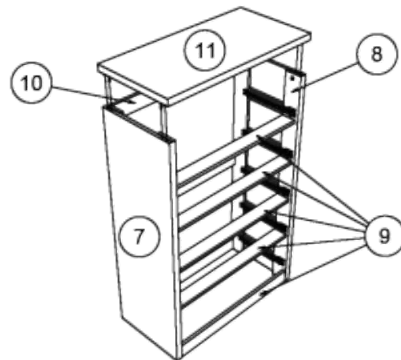
Part #11 x1pc

Hardware #E x4pcs

Hardware #G x4pcs

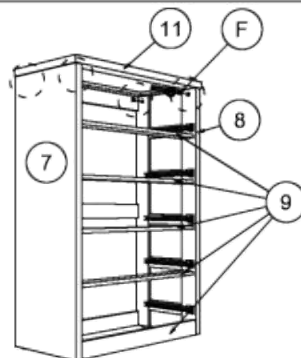


9



10

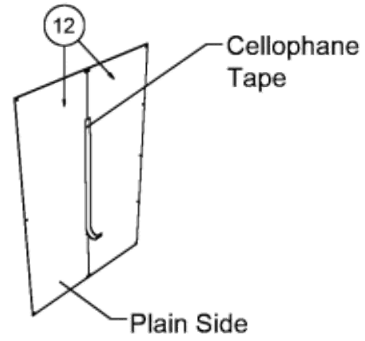
Hardware #F x4pcs



ASSEMBLY INSTRUCTIONS - BODY

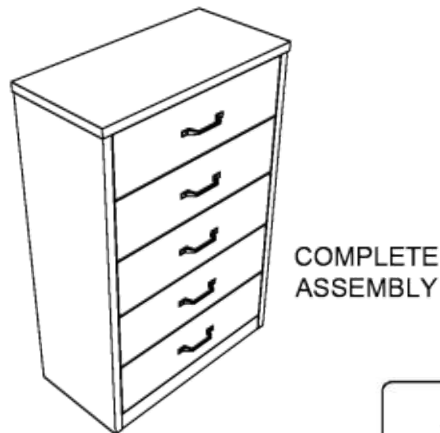
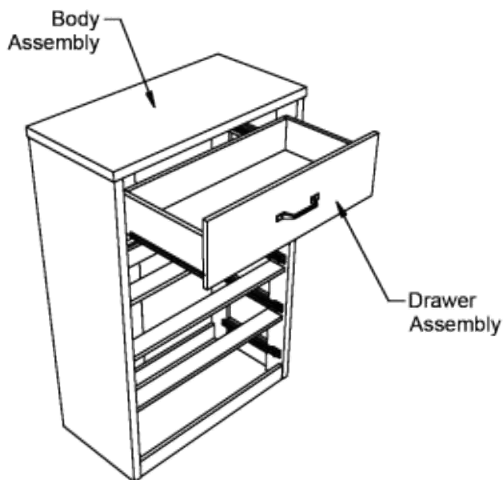
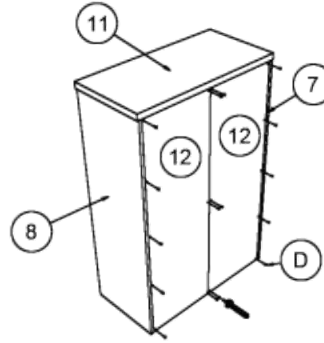
11

Part #12 x2pcs



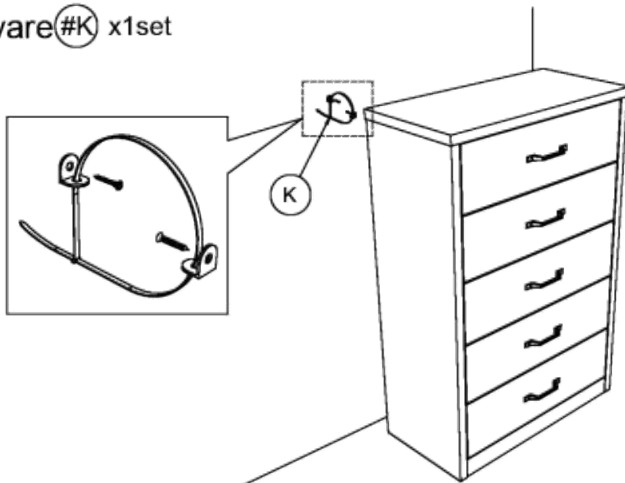
12

Hardware #D x16pcs



13

Hardware #K x1set



ASSEMBLY COMPLETED



Please ensure the furniture rests on an even and flat surface. If the product wobbles or feels loose, double-check all bolts and/or screws are properly tightened and secured.



Keep this handy!

Please retain this instruction manual and any order-related information for future reference.



Lift, don't drag!

To avoid damage to product please always LIFT the product when transporting or adjusting the placement.

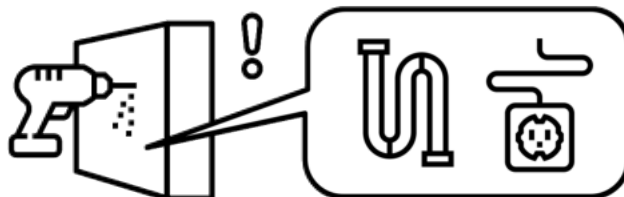
ASSEMBLY INSTRUCTIONS

Wall Mounting and Fixing



EXPANSION WALL ANCHOR

Our provided expansion wall anchors are only suitable for masonry walls, such as drywall, plaster or concrete, and are best for holding lightweight items or for anti-tip prevention. If you are unsure of the correct wall anchor to use with the product, please request professional guidance. Liability for product damage or failure due to using the incorrect anchors will fall on the installer.



CHECK BEFORE PROCEEDING

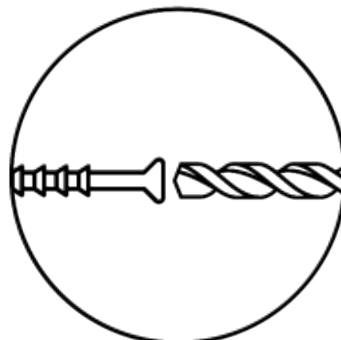
Prior to drilling or hammering, please check for wires or pipes. We recommend using a stud finder to locate a stud, which will offer more appropriate resistance and hold more weight.

QUICK TIPS

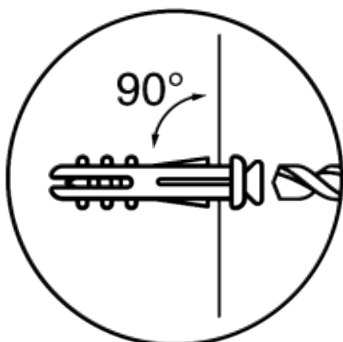
1. If unsure of the proper size, always choose a larger screw and wall anchor.



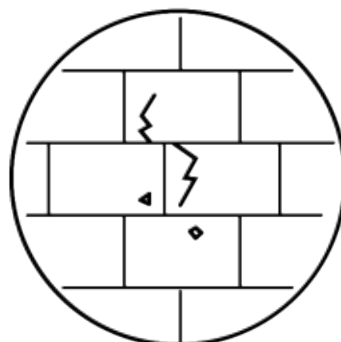
2. Match the drill bit to the wall anchor and hole size.



3. Only drill horizontally. Do not force the drill or enlarge the hole for the wall anchor.



4. Take extra care when drilling into high walls or ceramic tiles. Wall anchors should be a tight fit for the hole. Never use wall anchors in ceilings.



MAINTENANCE



We recommend a yearly check to see if the wall anchor or screw has loosened. If so, please remove the existing wall anchor and screw, and use a new anchor.