

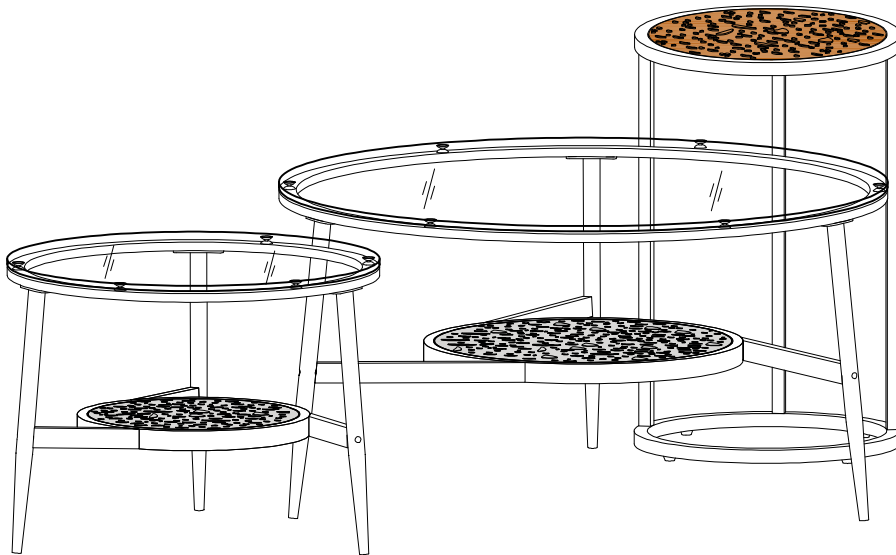
ASSEMBLY INSTRUCTIONS

TOOLS REQUIRED



Allen Wrench

(Included)



2 - People
Recommended

ASSEMBLY RATING



EASY —————> DIFFICULT

The Assembly Rating is a 5-point system showing the level of effort needed to assemble a specific product.

PRE ASSEMBLY INTRODUCTION

We understand building ready-to-assemble furniture can be a challenging experience for some. To help avoid confusion, we have provided some helpful tips that may speed up the process.



Teamwork

ALWAYS have at least two people to help with transporting and assembling the product to avoid potential injury and/or damage.



Suitable Location

Assembling near the area of the intended location is highly recommended.



Sufficient Space

Make sure you have enough space to move around during the assembly.



Avoid Scratches

Use cardboard, blankets or a carpeted area while assembling furniture to prevent scratches.



Flat Surface

Make sure the furniture rests on a flat and level surface with each leg evenly touching the floor.

ASSEMBLY AND CARE ADVICE



FAILURE TO FOLLOW THE GUIDELINES BELOW MAY RESULT IN INJURY AND/OR PROPERTY DAMAGE.



Position each part correctly and insert screws or bolts into their respective holes.



Turn clockwise to tighten and only tighten when step is completed or when instructed to do so.



Use the appropriate hand tools or power tools for assembly. Select steps, such as tightening screws and/or bolts, may require hand tools to avoid causing damage during assembly.



Save the instructions and store any supplied tools for later maintenance.



After two weeks, check and tighten any loose hardware and repeat again every six months thereafter.

IT IS THE USER'S RESPONSIBILITY TO MAINTAIN THE FURNITURE. THE HARDWARE MAY LOOSEN OVER TIME AND MAY CAUSE THE FURNITURE TO BE WOBBLY AND UNABLE TO SUPPORT ITS INTENDED WEIGHT CAPACITY. THIS MAY LEAD TO COLLAPSE AND MAY CAUSE SERIOUS INJURY.

3pcs Occasional table with 8mm tempered clear glass & plastic board

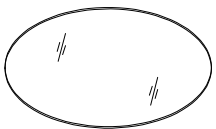


- Please keep instructions for future reference.
- Check the quantity and irregularity of parts and hardware before you start.



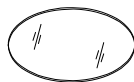
PARTS

#1 1pc



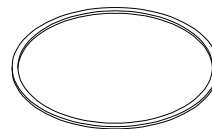
Big Glass Top

#2 1pc



Middle Glass Top

#3 1pc



Big Frame

#4 1pc



Middle Frame

#5 1pc



Cobblestone Top

#6 3pcs



Big Legs

#7 3pcs



Middle Legs

#8 3pcs



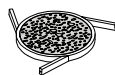
Small Legs

#9 1pc



Big Bottom Frame

#10 1pc



Middle Bottom Frame

#11 1pc



Small Bottom Frame

3pcs Occasional table with 8mm tempered clear glass & plastic board



- Please keep instructions for future reference.
- Check the quantity and irregularity of parts and hardware before you start.



HARDWARE

#A 18pcs



Bolt 1/4"x5/8"

#B 3pcs



Bolt 1/4"x1-5/8"

#C 6pcs



Bolt 1/4"x1-3/4"

#D 1pc



Allen Wrench M4

#E 4pcs



Adjustable Foot
M6 x 10

#E 12pcs

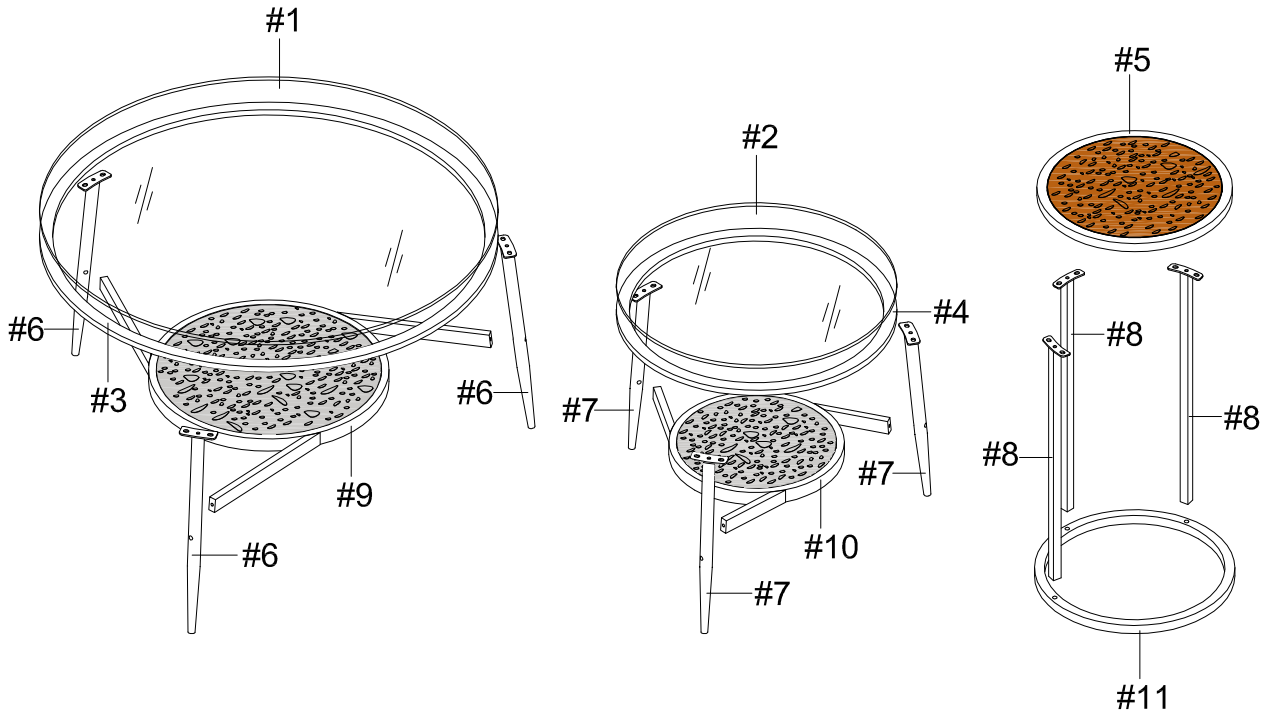


φ20x10

ASSEMBLY INSTRUCTIONS

1

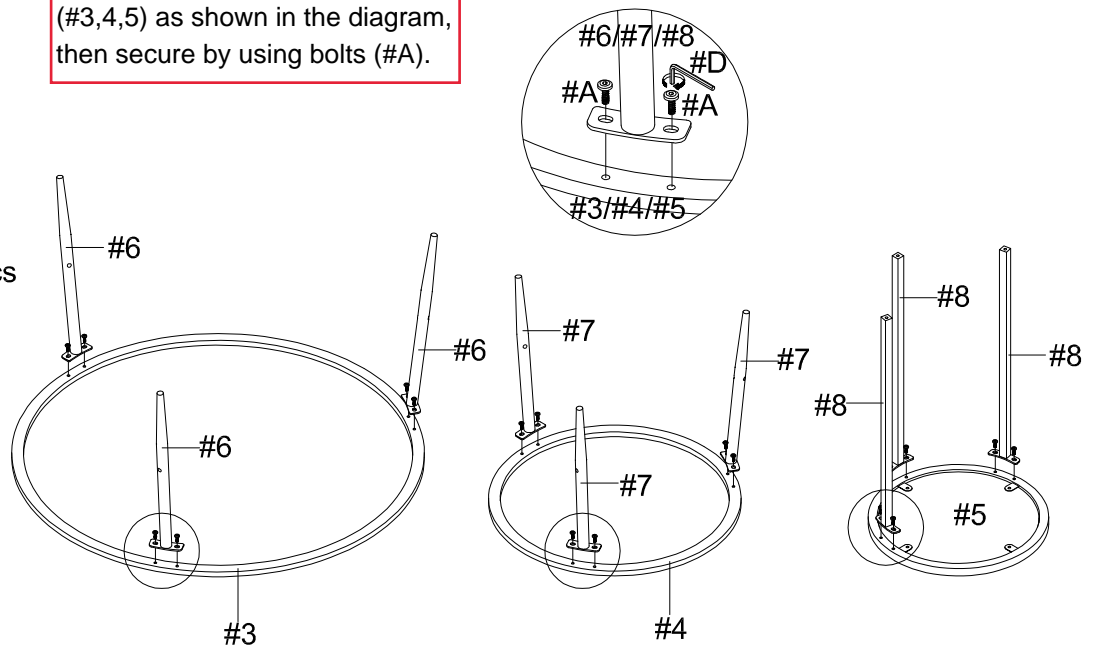
Exploded View



2

- Part (#3) x 1pc
- Part (#4) x 1pc
- Part (#5) x 1pc
- Part (#6) x 3pcs
- Part (#7) x 3pcs
- Part (#8) x 3pcs
- Hardware (#A) x 18pcs
- Hardware (#D) x 1pc

Align legs (#6,7,8) to the frames (#3,4,5) as shown in the diagram, then secure by using bolts (#A).

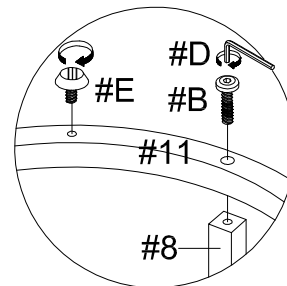
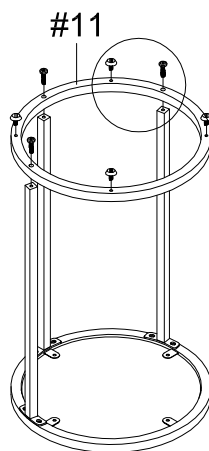


ASSEMBLY INSTRUCTIONS

3

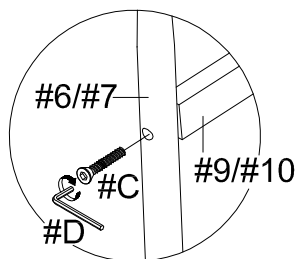
- Part #11 x 1pc
- Hardware #B x 3pcs
- Hardware #D x 1pc
- Hardware #E x 4pcs

Align bottom frame (#11) to the legs (#8), then secure by using bolts (#B). Attach adjusters (#E) onto the bottom frame (#11).

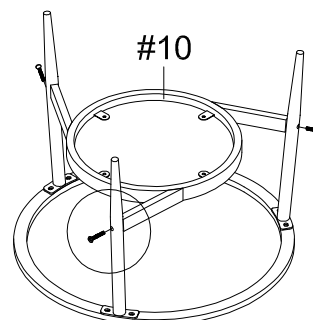
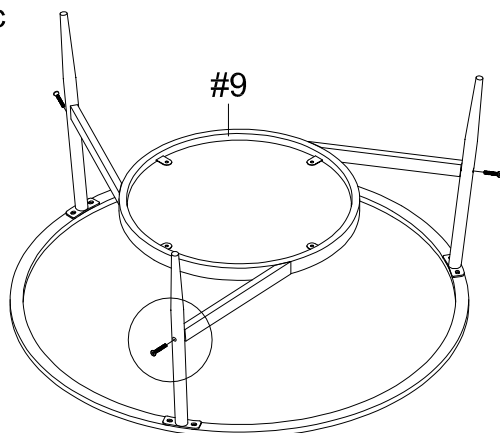


4

- Part #9 x 1pc
- Part #10 x 1pc
- Hardware #C x 6pcs
- Hardware #D x 1pc



Align bottom frames (#9,10) to the legs (#6,7), then secure by using bolts (#C).



ASSEMBLY INSTRUCTIONS

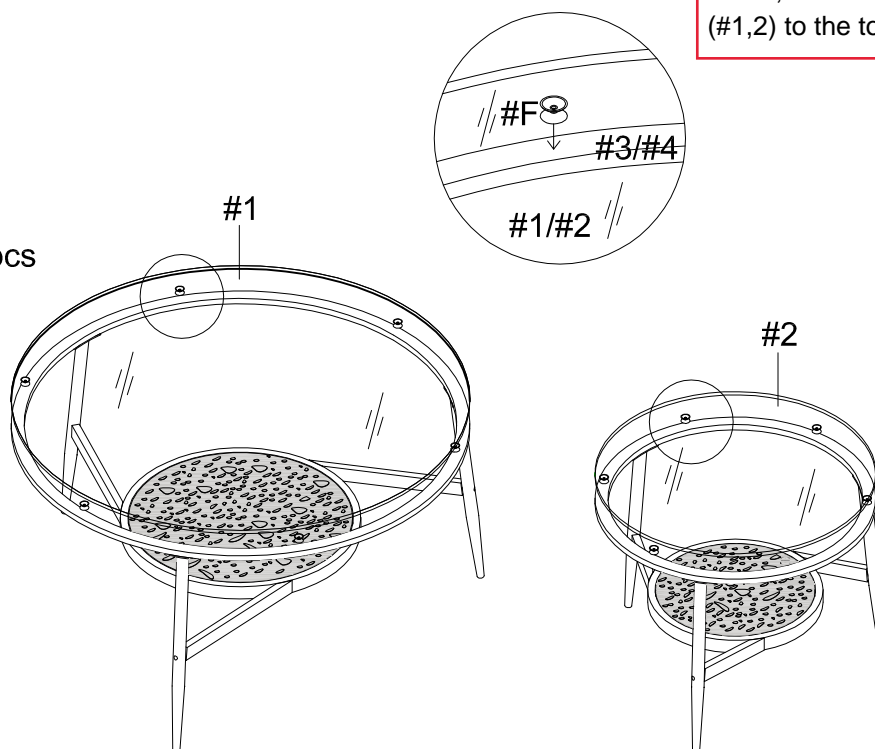
5

Part #1 x 1pc

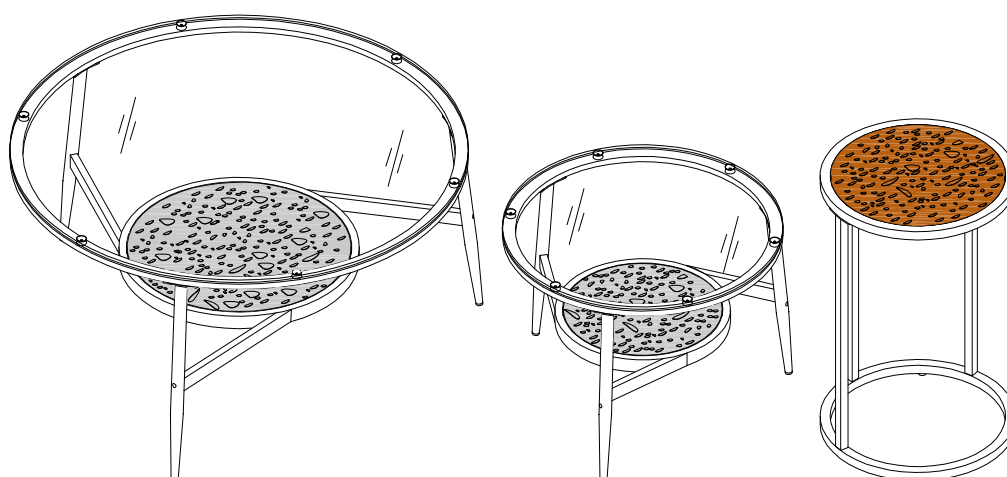
Part #2 x 1pc

Hardware #F x 12pcs

Attach cups (#F) to the top frame, then carefully place glass (#1,2) to the top frame.

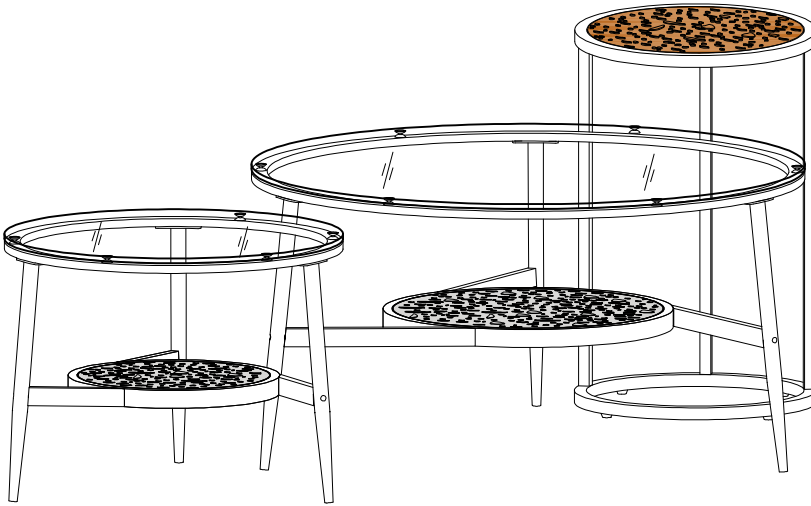


6



ASSEMBLY INSTRUCTIONS

7



ASSEMBLY COMPLETED



Please ensure the furniture rests on an even and flat surface. If the product wobbles or feels loose, double-check all bolts and/or screws are properly tightened and secured.



Keep this handy!

Please retain this instruction manual and any order-related information for future reference.



Lift, don't drag!

To avoid damage to product please always LIFT the product when transporting or adjusting the placement.