

# ASSEMBLY INSTRUCTIONS

---

## TOOLS REQUIRED



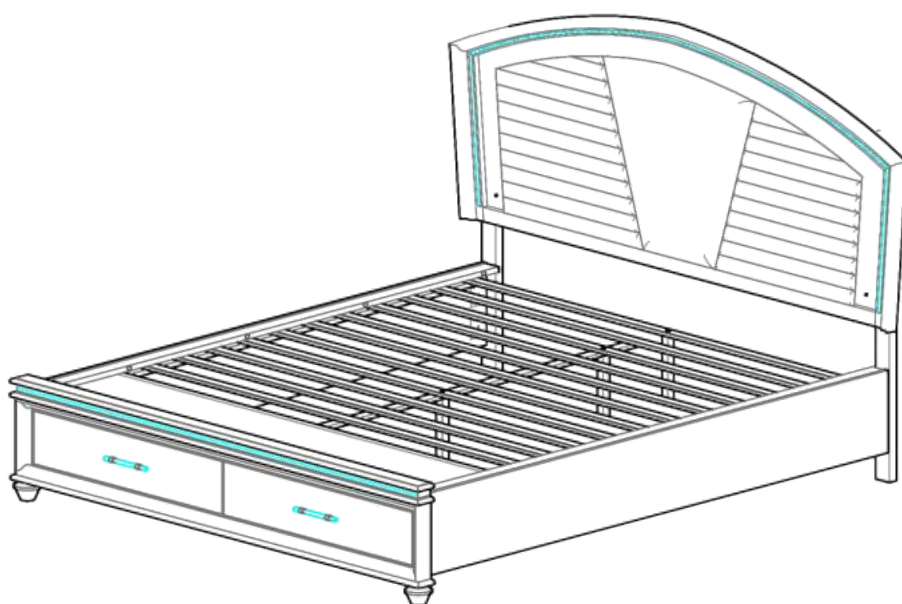
Allen Wrench

(Included)



Phillips  
Screwdriver

(Not Included)



3 - People  
Recommended

## ASSEMBLY RATING



EASY —————> DIFFICULT

The Assembly Rating is a 5-point system showing the level of effort needed to assemble a specific product.



## **CHECK BEFORE STARTING**

### **Are you missing anything?**

Double-check all parts, hardware and accessories listed on Page 6 are accounted for.

### **Check out our Quick Tips!**

We recommend reviewing the pre-assembly handouts. Even experts need a refresher now and then!

### **Should we send any replacements?**

Are there any irregularities or flaws in the parts? We can send replacements!

### **Prep Time!**

Please review the assembly instructions and all diagrams prior to assembling. Arrange parts as recommended on Page 7 and group identical hardware together to make assembling easier.

# PRE ASSEMBLY INTRODUCTION

We understand building ready-to-assemble furniture can be a challenging experience for some. To help avoid confusion, we have provided some helpful tips that may speed up the process.



## Teamwork

ALWAYS have at least two people to help with transporting and assembling the product to avoid potential injury and/or damage.



## Suitable Location

Assembling near the area of the intended location is highly recommended.



## Sufficient Space

Make sure you have enough space to move around during the assembly.



## Avoid Scratches

Use cardboard, blankets or a carpeted area while assembling furniture to prevent scratches.



## Flat Surface

Make sure the furniture rests on a flat and level surface with each leg evenly touching the floor.

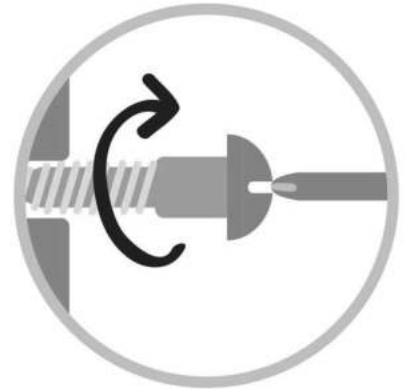
# ASSEMBLY AND CARE ADVICE



**FAILURE TO FOLLOW THE GUIDELINES BELOW MAY RESULT IN INJURY AND/OR PROPERTY DAMAGE.**



Position each part correctly and insert screws or bolts into their respective holes.



Turn clockwise to tighten and only tighten when step is completed or when instructed to do so.



Use the appropriate hand tools or power tools for assembly. Select steps, such as tightening screws and/or bolts, may require hand tools to avoid causing damage during assembly.



Save the instructions and store any supplied tools for later maintenance.



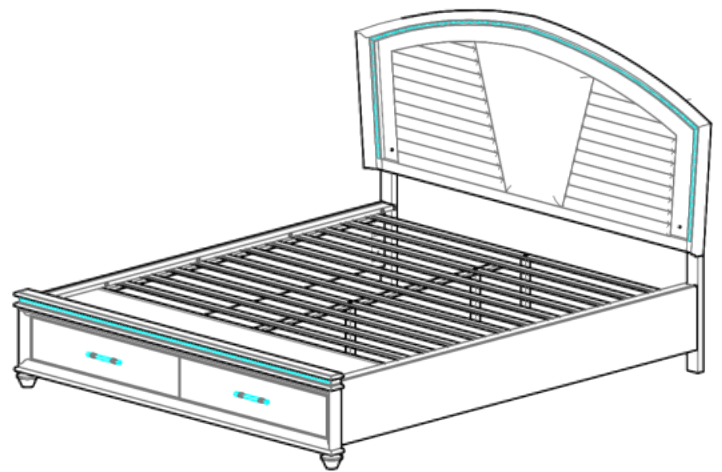
After two weeks, check and tighten any loose hardware and repeat again every six months thereafter.

**IT IS THE USER'S RESPONSIBILITY TO MAINTAIN THE FURNITURE. THE HARDWARE MAY LOOSEN OVER TIME AND MAY CAUSE THE FURNITURE TO BE WOBBLY AND UNABLE TO SUPPORT ITS INTENDED WEIGHT CAPACITY. THIS MAY LEAD TO COLLAPSE AND MAY CAUSE SERIOUS INJURY.**

# CAL KING BED



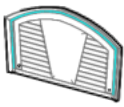
- Please keep instructions for future reference.
- Check the quantity and irregularity of parts and hardware before you start.



## PARTS

### PART LIST OF HEADBOARD

#1 1pc



Headboard

#2 1pc



Headboard Leg - (R)

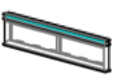
#3 1pc



Headboard Leg - (L)

### PART LIST OF FOOTBOARD

#4 1pc



Footboard

#5 2pcs



Acrylic Leg

#6 1pc



Drawer Support Rail

#7 2pcs



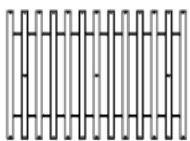
Drawer

#8 2pcs



Drawer Base Panel

#9 13pcs



Roll Slat

#10 3pcs



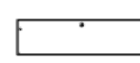
Slat Support Leg

#11 1pc



Drawer Support Leg

#12 1pc



Slat Cover Panel

**PART LIST OF SIDE RAIL**

#13 2pcs



Side Rail

#14 1pc



Center Vertical Slat

#15 2pcs



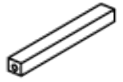
Top Cap

#16 1pc



Slat

#17 1pc



Slat Support ( long)

**HARDWARE**

**HARDWARE PACK IN HEADBOARD**

#A 1pc



Allen Key

#B 6pcs



JCBC - M6 x 40mm

#C 6pcs



M6 Spring Washer

#D 6pcs



M6 Flat Washer

#E 1pc



AC Adapter

**HARDWARE PACK IN FOOTBOARD**

#F 1pc



Allen Key

#G 2pcs



JCBC - M6 x 16mm

#H 9pcs



JCBC - M6 x 35mm

#I 3pcs



JCBC - M6 x 60mm

#J 14pcs



M6 Spring Washer

#K 7pcs



M6 Flat Washer

#L 4pcs



1/4" Flat Washer

#M 26pcs



Screw 32mm

#N 2pcs



Screw 16mm

#O 4pcs



Adjustable Leveller

**HARDWARE PACK IN SIDE RAIL**

#P 1pc



Allen Key

#Q 1pc



JCBC - M6 x 35mm

#R 10pcs



JCBC - M6 x 45mm

#S 11pcs



M6 Spring Washer

#T 10pcs



M6 Flat Washer

#U 2pcs

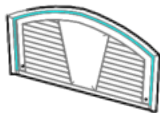







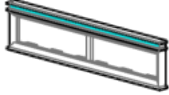







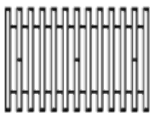


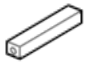


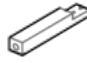
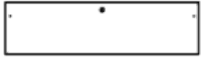













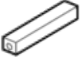
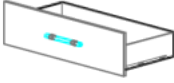
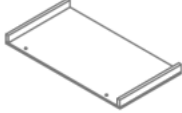
Screw 32mm

#V 1pc



Adjustable Leveller

Carton	Designation		Part	Hardware
	Headboard (1pc)	#1		 #A x 1pc  #B x 6pcs
	Headboard Leg - (R) (1pc)	#2		 #C x 6pcs  #D x 6pcs
	Headboard Leg - (L) (1pc)	#3		 #E x 1pc
	Footboard (1pc)	#4		 #F x 1pc  #G x 2pcs
	Bun Foot	#5		 #H x 9pcs  #I x 3pcs
	Drawer Support Rail (1pc)	#6		 #J x 14pcs  #K x 7pcs
	Roll Slat (13pcs)	#9		 #L x 4pcs  #M x 26pcs
	Slat Support Leg (3pcs)	#10		 #N x 2pcs  #O x 4pcs
	Drawer Support Leg (1pc)	#11		
	Slat Cover Panel (1pc)	#12		
	Side Rail (2pcs)	#13		 #P x 1pc  #Q x 1pc
	Center Vertical Slat (1pc)	#14		 #R x 10pcs  #S x 11pcs
	Top Cap (2pc)	#15		 #T x 10pcs  #U x 2pcs
	Slat (1pc)	#16		 #Y x 1pcs

Carton	Designation		Part	Hardware
	Slat Support Leg (1pc)	#17		
	Drawer (2pcs)	#7		
	Drawer Base Panel (2pcs)	#8		

# ASSEMBLY INSTRUCTIONS

1

Part (#1) x 1pc

Part (#2) x 1pc

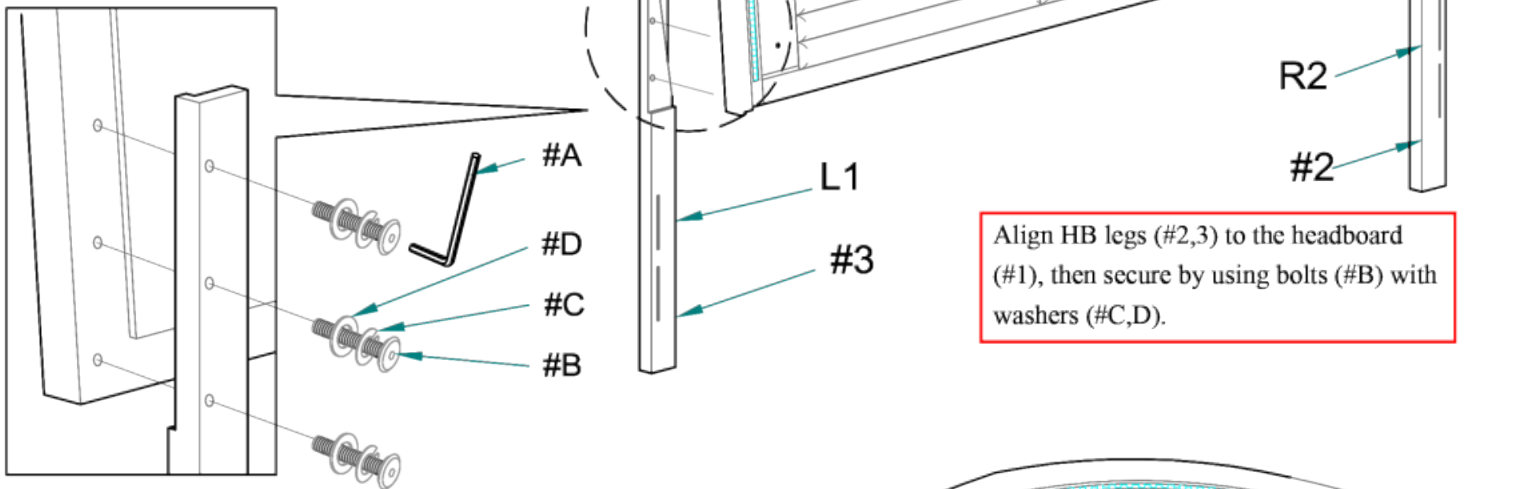
Part (#3) x 1pc

Hardware (#A) x 1pc

Hardware (#B) x 6pcs

Hardware (#C) x 6pcs

Hardware (#D) x 6pcs

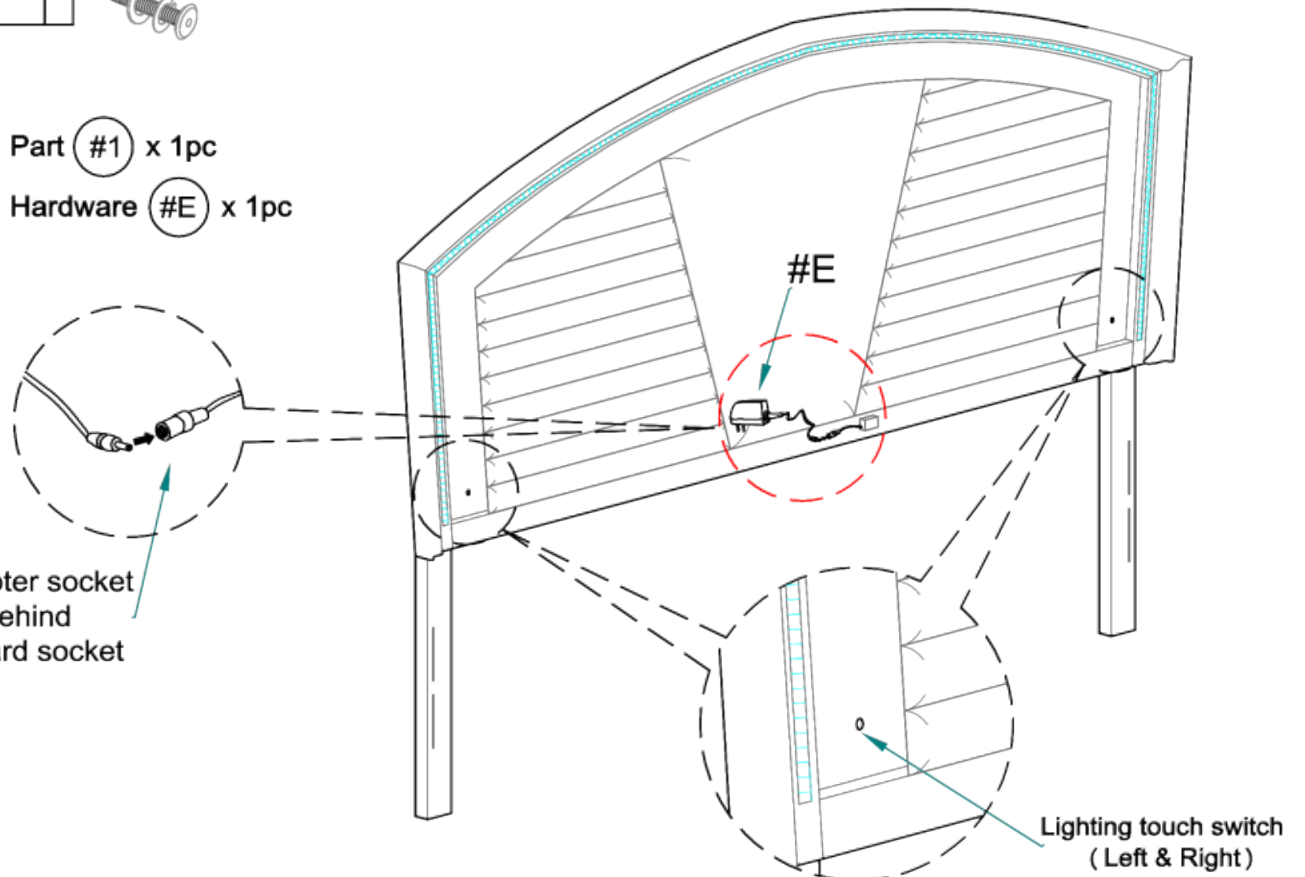


2

Part (#1) x 1pc

Hardware (#E) x 1pc

Ensure adapter socket connect to behind the headboard socket



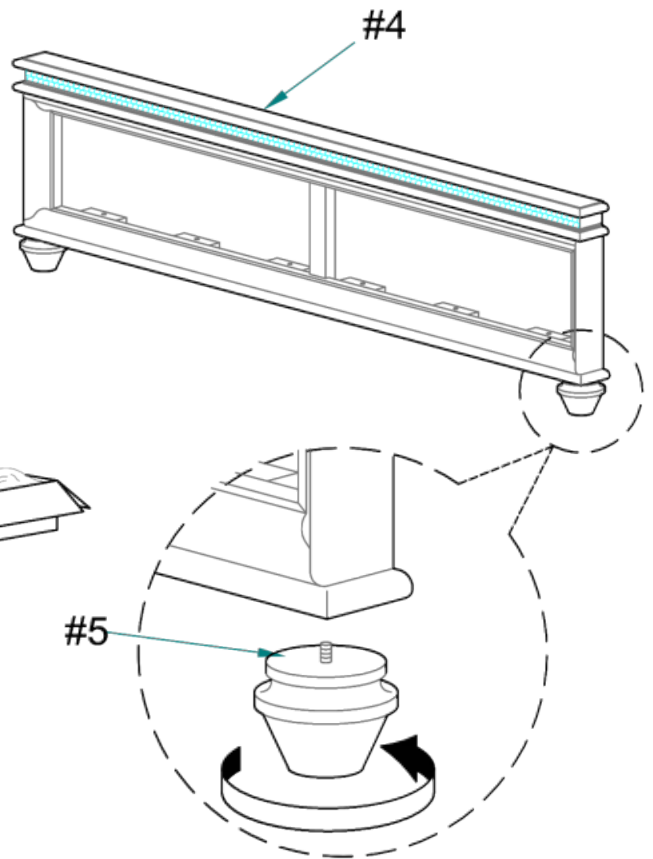
# ASSEMBLY INSTRUCTIONS

## 3

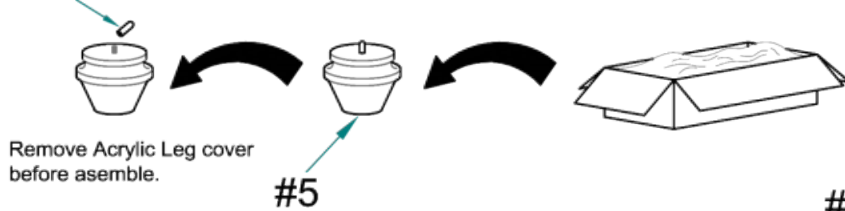
Part #4 x 1pc

Part #5 x 2pcs

Attach legs (#5) to the footboard (#4).



Bun Foot cover



Remove Acrylic Leg cover before assemble.

#5

#5

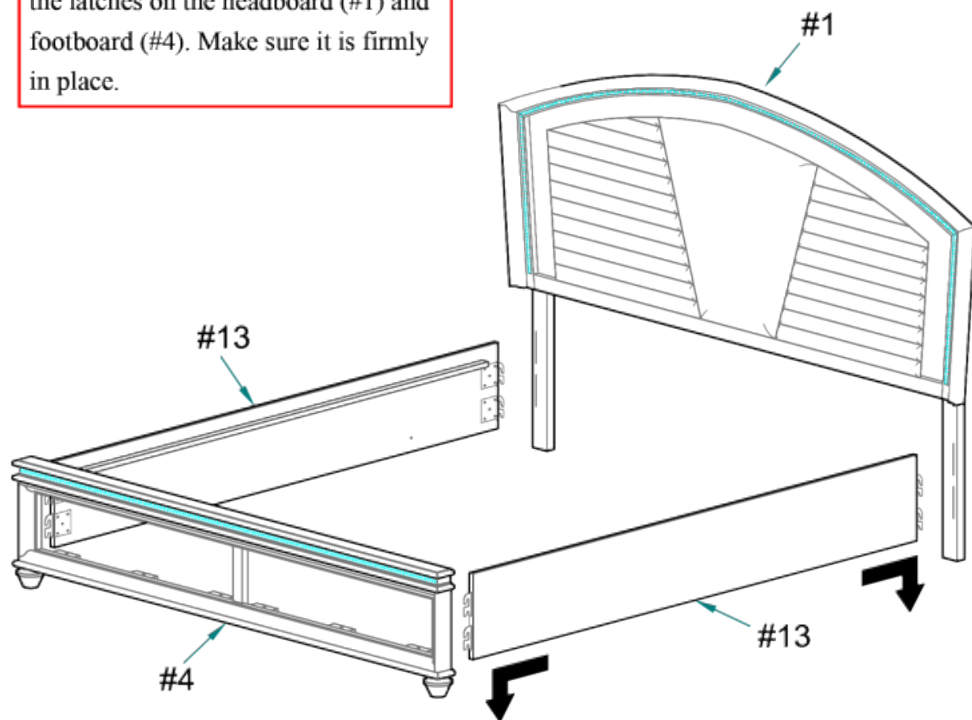
## 4

Part #1 x 1pc

Part #4 x 1pc

Part #13 x 2pcs

Align and hook the side rails (#13) to the latches on the headboard (#1) and footboard (#4). Make sure it is firmly in place.



#13

#1

#4

#13

# ASSEMBLY INSTRUCTIONS

## 5

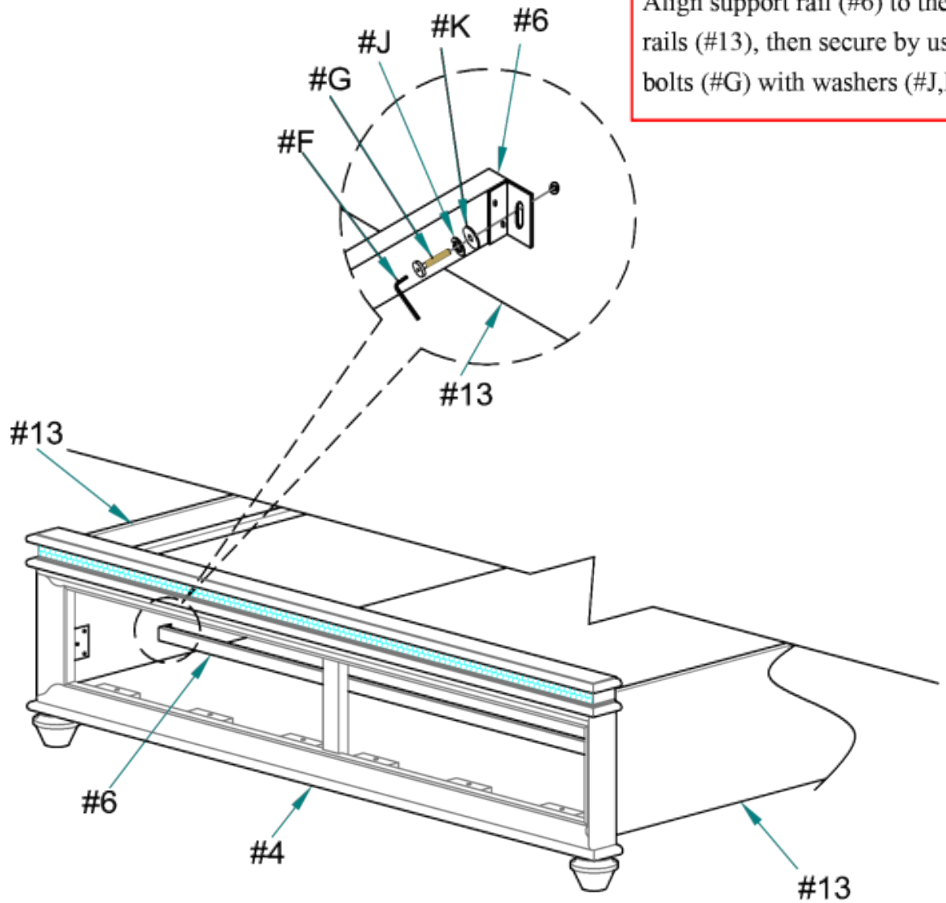
Part (#6) x 1pc

Hardware (#F) x 1pc

Hardware (#G) x 2pcs

Hardware (#J) x 2pcs

Hardware (#K) x 2pcs



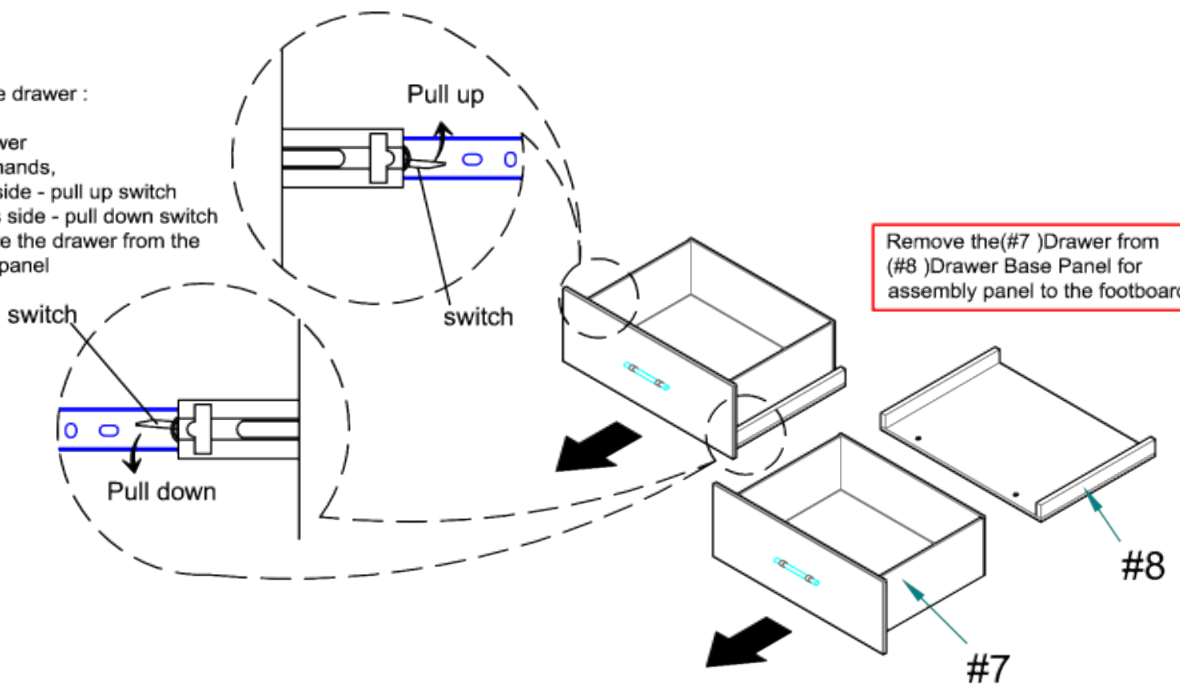
Align support rail (#6) to the side rails (#13), then secure by using bolts (#G) with washers (#J,K).

## 6

Make sure to fully extend rails to see the black switch on the rails.

Step to remove the drawer :

1. Pull the drawer
2. Using both hands,
  - Left hands side - pull up switch
  - Right hands side - pull down switch
3. Then remove the drawer from the drawer base panel



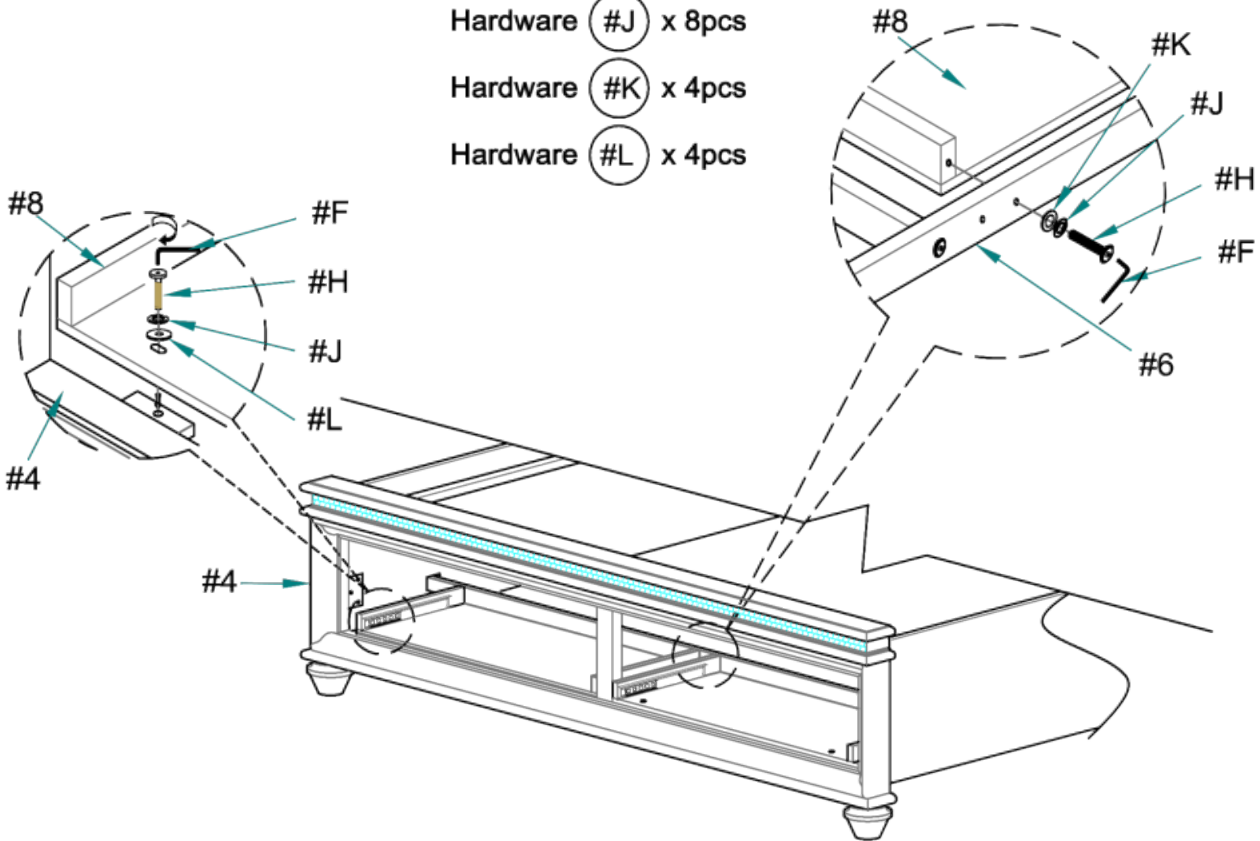
Remove the (#7) Drawer from (#8) Drawer Base Panel for assembly panel to the footboard.

# ASSEMBLY INSTRUCTIONS

7

- Part (#8) x 2pcs    Hardware (#F) x 1pc  
 Hardware (#H) x 8pcs  
 Hardware (#J) x 8pcs  
 Hardware (#K) x 4pcs  
 Hardware (#L) x 4pcs

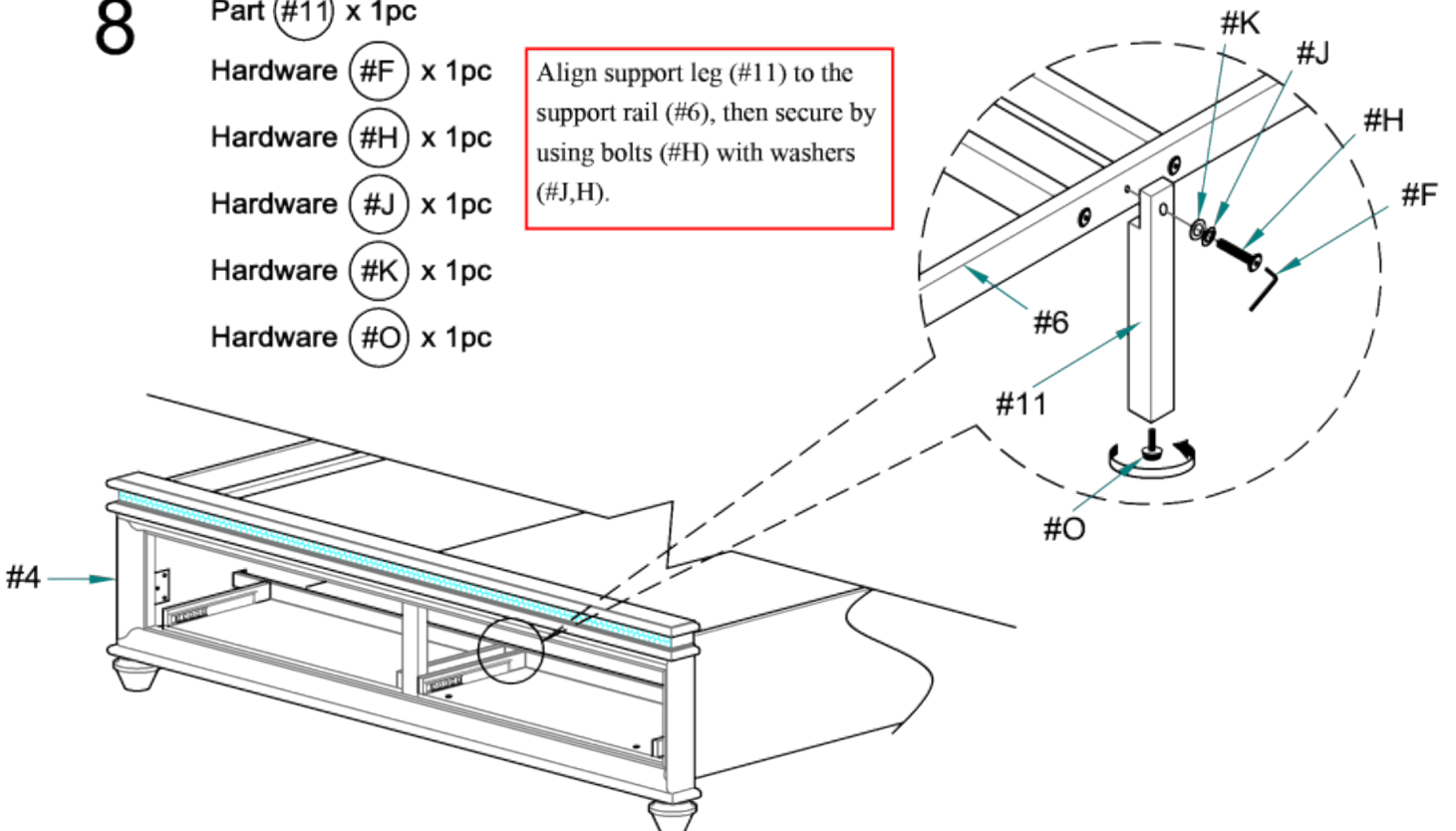
Align base (#8) to the footboard (#4), then secure by using bolts (#H) with washers (#J,K).



8

- Part (#11) x 1pc  
 Hardware (#F) x 1pc  
 Hardware (#H) x 1pc  
 Hardware (#J) x 1pc  
 Hardware (#K) x 1pc  
 Hardware (#O) x 1pc

Align support leg (#11) to the support rail (#6), then secure by using bolts (#H) with washers (#J,H).



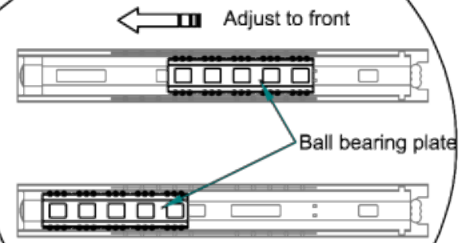
# ASSEMBLY INSTRUCTIONS

## 9

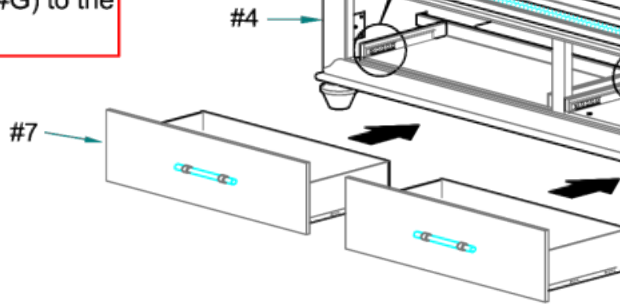
Step to install the drawer on the drawer base panel :

\*\*\*Prefer 2 person to install the drawer

1. Adjust the ball bearing plate to the front as a diagram shows.
2. Then attach the drawer to the drawer base panel and install with carefully.



Insert the drawer (#G) to the footboard (#D)

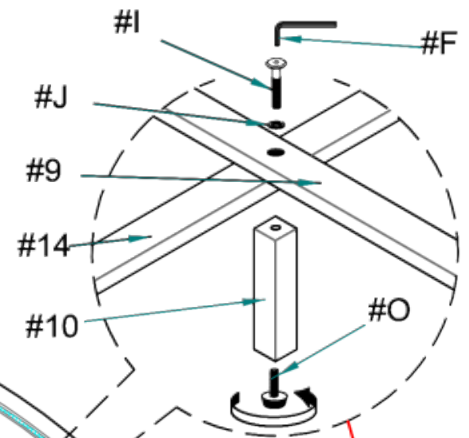
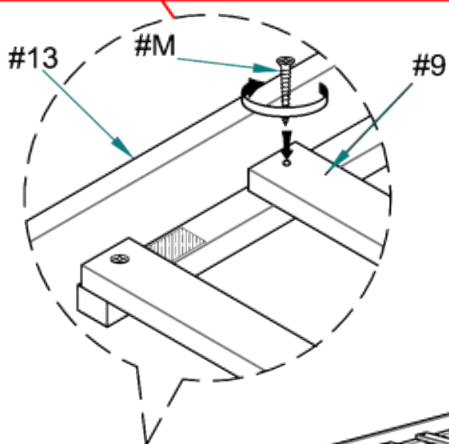


Align and connect the rails of the drawer base to the drawers.

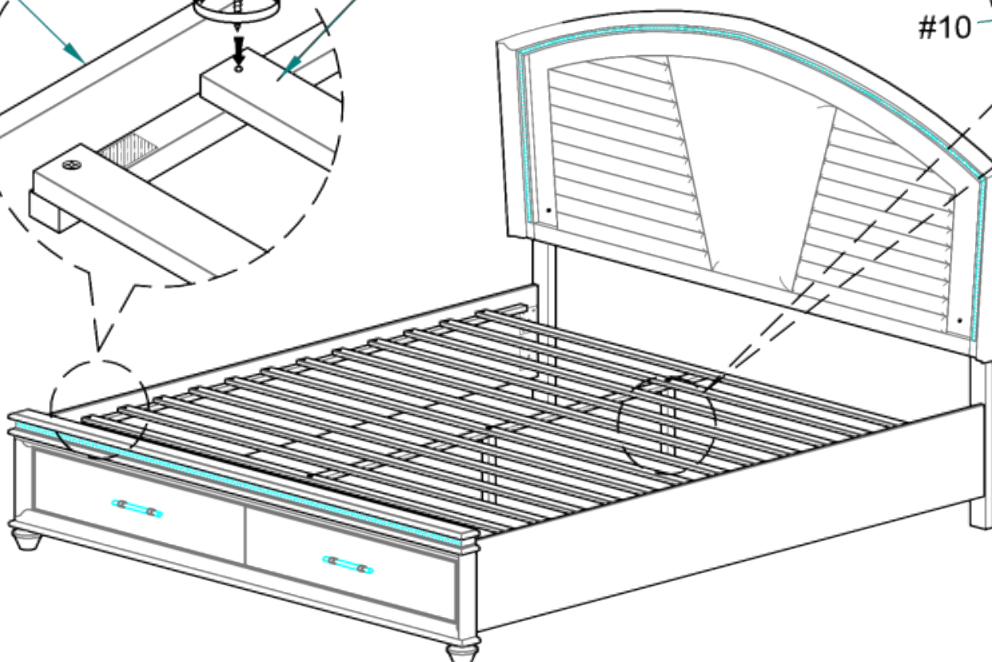
## 10

- |                   |                       |
|-------------------|-----------------------|
| Part (#9) x 13pcs | Hardware (#F) x 1pc   |
| Part (#10) x 3pcs | Hardware (#I) x 3pcs  |
| Part (#14) x 1pc  | Hardware (#J) x 3pcs  |
|                   | Hardware (#M) x 26pcs |
|                   | Hardware (#O) x 3pcs  |

1) Align slats (#9) to the side rails (#13), then secure by using screws (#M).



2) Align center support slat (#14) to the slats (#9), then secure by using bolts (#I) with washers (#J) onto support legs (#10). Attach levelers (#O) to the support legs (#10).



# ASSEMBLY INSTRUCTIONS

## 11

Part #16 x 1pc      Hardware #P x 1pc

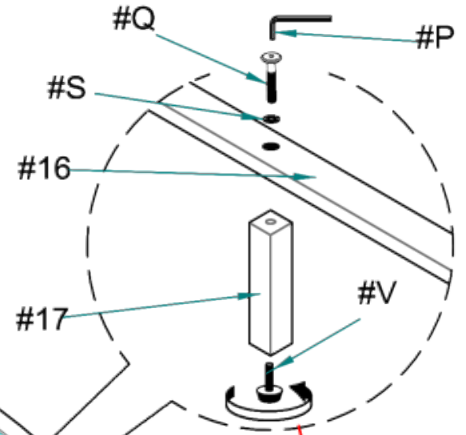
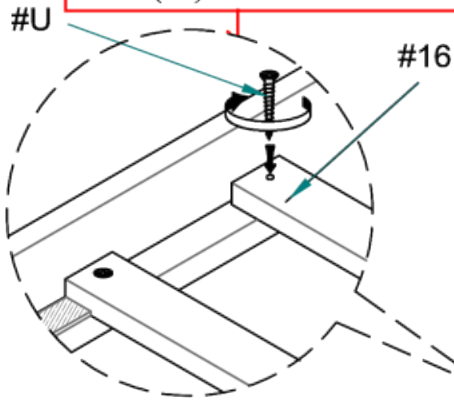
Part #17 x 1pc      Hardware #Q x 1pc

Secure slat (#16) to the side rails by using screws (#U).

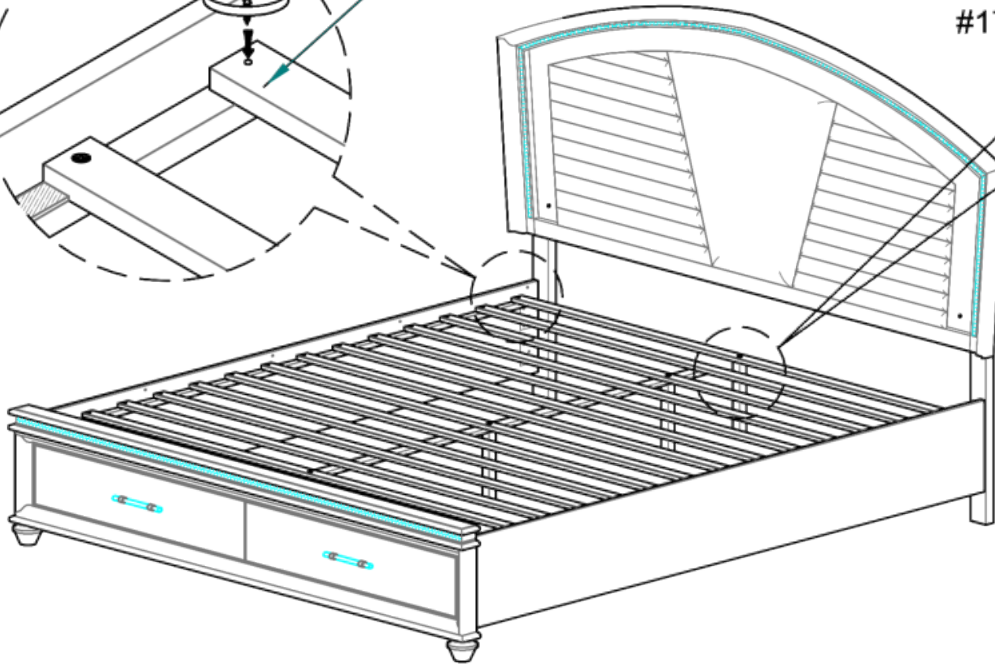
Hardware #S x 1pc

Hardware #U x 2pcs

Hardware #V x 1pc



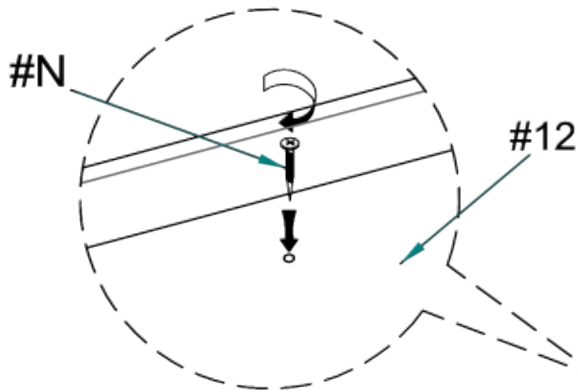
Secure support leg (#17) to slat (#16) by using bolts (#Q) with washer (#S) as shown in the diagram. Attach leveler (#V) onto support leg (#17).



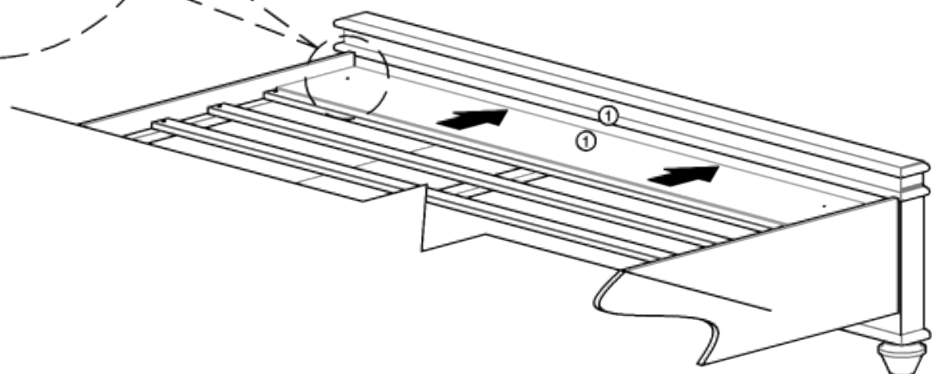
## 12

Part #12 x 1pc

Hardware #N x 2pcs



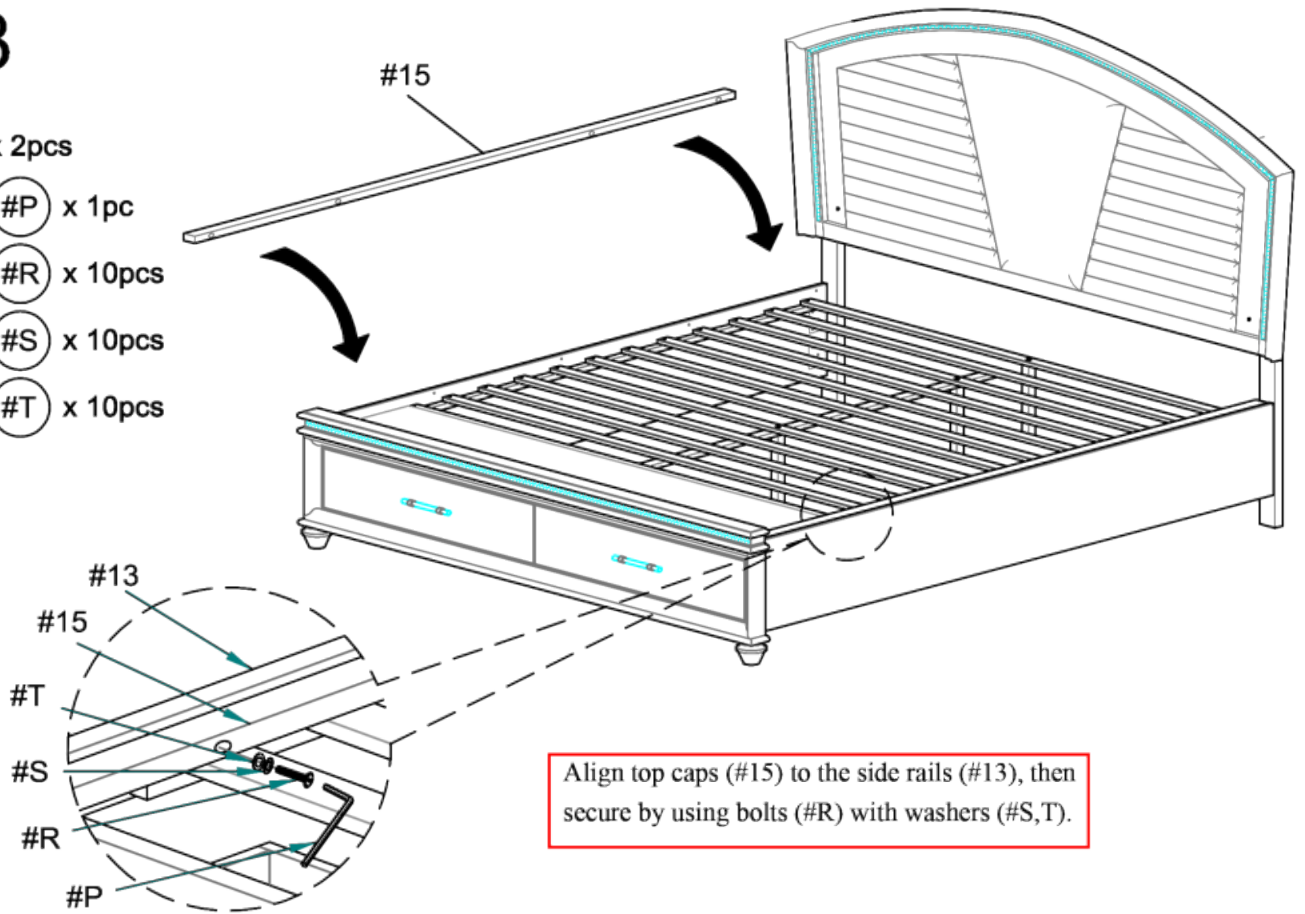
Align slat cover panel (#12) to the footboard end of the bed, then secure by using screws (#N).



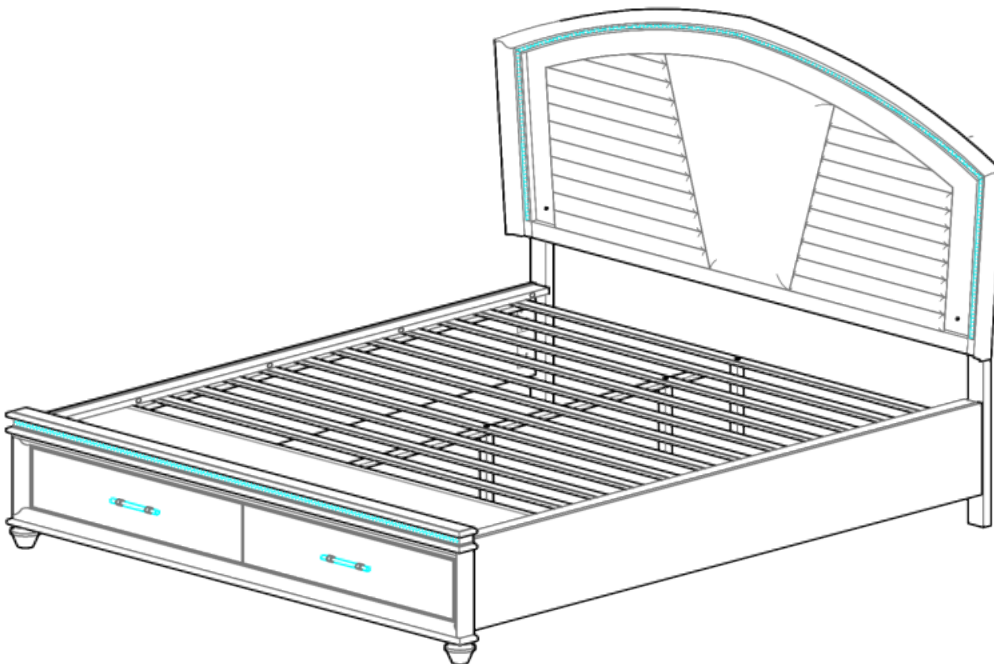
# ASSEMBLY INSTRUCTIONS

## 13

- Part #15 x 2pcs
- Hardware #P x 1pc
- Hardware #R x 10pcs
- Hardware #S x 10pcs
- Hardware #T x 10pcs



## 14



### ASSEMBLY COMPLETED



Please ensure the furniture rests on an even and flat surface. If the product wobbles or feels loose, double-check all bolts and/or screws are properly tightened and secured.



#### Keep this handy!

Please retain this instruction manual and any order-related information for future reference.



#### Lift, don't drag!

To avoid damage to product please always LIFT the product when transporting or adjusting the placement.