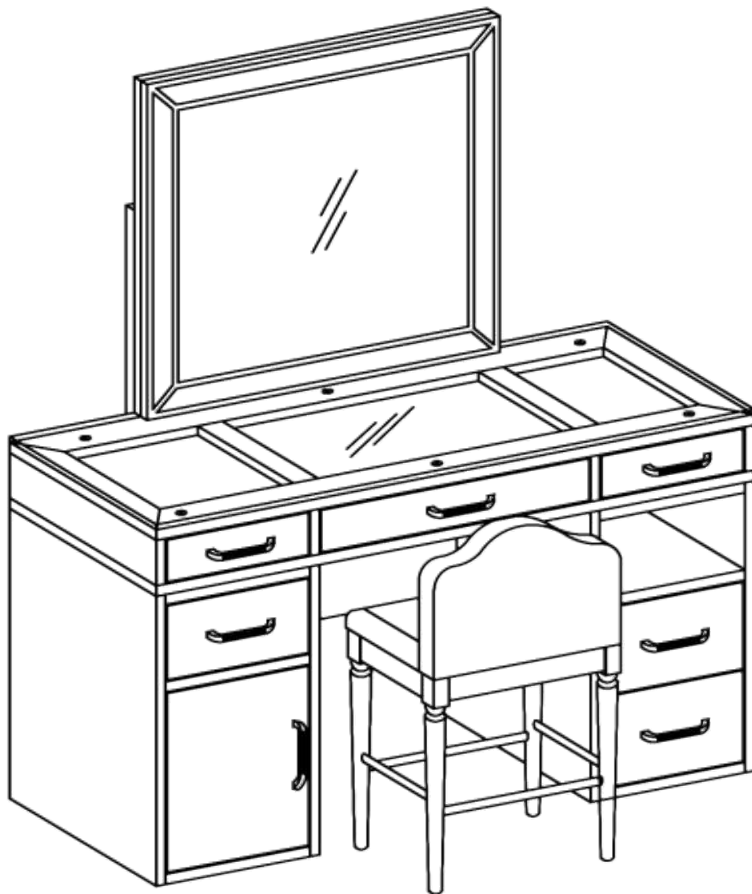


ASSEMBLY INSTRUCTIONS



TOOLS REQUIRED



Allen Wrench

(Included)



Phillips
Screwdriver

(Not Included)



2 - People
Recommended

ASSEMBLY RATING



EASY —————> DIFFICULT

The Assembly Rating is a 5-point system showing the level of effort needed to assemble a specific product.



CHECK BEFORE STARTING

Are you missing anything?

Double-check all parts, hardware and accessories listed on Page 6 are accounted for.

Check out our Quick Tips!

We recommend reviewing the pre-assembly handouts. Even experts need a refresher now and then!

Should we send any replacements?

Are there any irregularities or flaws in the parts? We can send replacements!

Prep Time!

Please review the assembly instructions and all diagrams prior to assembling. Arrange parts as recommended on Page 7 and group identical hardware together to make assembling easier.

PRE ASSEMBLY INTRODUCTION

We understand building ready-to-assemble furniture can be a challenging experience for some. To help avoid confusion, we have provided some helpful tips that may speed up the process.



Teamwork

ALWAYS have at least two people to help with transporting and assembling the product to avoid potential injury and/or damage.



Suitable Location

Assembling near the area of the intended location is highly recommended.



Sufficient Space

Make sure you have enough space to move around during the assembly.



Avoid Scratches

Use cardboard, blankets or a carpeted area while assembling furniture to prevent scratches.



Flat Surface

Make sure the furniture rests on a flat and level surface with each leg evenly touching the floor.

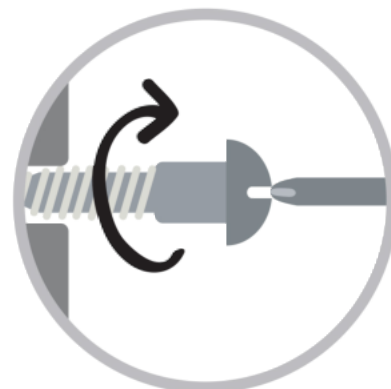
ASSEMBLY AND CARE ADVICE



FAILURE TO FOLLOW THE GUIDELINES BELOW MAY RESULT IN INJURY AND/OR PROPERTY DAMAGE.



Position each part correctly and insert screws or bolts into their respective holes.



Turn clockwise to tighten and only tighten when step is completed or when instructed to do so.



Use the appropriate hand tools or power tools for assembly. Select steps, such as tightening screws and/or bolts, may require hand tools to avoid causing damage during assembly.



Save the instructions and store any supplied tools for later maintenance.



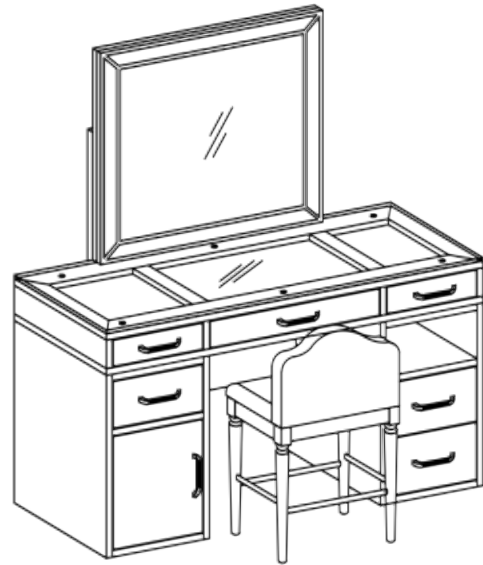
After two weeks, check and tighten any loose hardware and repeat again every six months thereafter.

IT IS THE USER'S RESPONSIBILITY TO MAINTAIN THE FURNITURE. THE HARDWARE MAY LOOSEN OVER TIME AND MAY CAUSE THE FURNITURE TO BE WOBBLY AND UNABLE TO SUPPORT ITS INTENDED WEIGHT CAPACITY. THIS MAY LEAD TO COLLAPSE AND MAY CAUSE SERIOUS INJURY.

VANITY SET



- Please keep instructions for future reference.
- Check the quantity and irregularity of parts and hardware before you start.



PARTS

#1 1pc

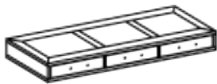


Table top

#4 1pc



Mirror

#7 2pcs



Stool Left leg

#10 2pcs



Front and rear
stretcher

#2 1pc



Left bottom cabinet

#5 2pcs



Mirror support rail

#8 2pcs



Stool Right leg

#11 2pcs



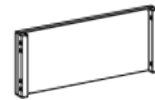
Side Stretcher

#3 1pc



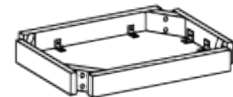
Right bottom cabinet

#6 1pc



Backplane

#9 1pc



Seat frame

#12 1pc



Backrest

PARTS

#13 1pc



Stool cushion

#14 1pc



Glass

HARDWARE

#A 25pcs



Bolt $\text{\O}1/4" \times 1-3/16"$

#B 8pcs



Bolt $\text{\O}1/4" \times 2"$

#C 25pcs



Lock Washer $\text{\O}1/4"$

#D 25pcs



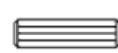
Flat Washer $\text{\O}5/16"$

#E 1pc



Allen Wrench 4mm

#F 12pcs



Wood Dowel $\text{\O}8 \times 20\text{mm}$

#G 6pcs



Screws $3.5 \times 5/8"$

#H 1pc



Plug

#I 6pcs



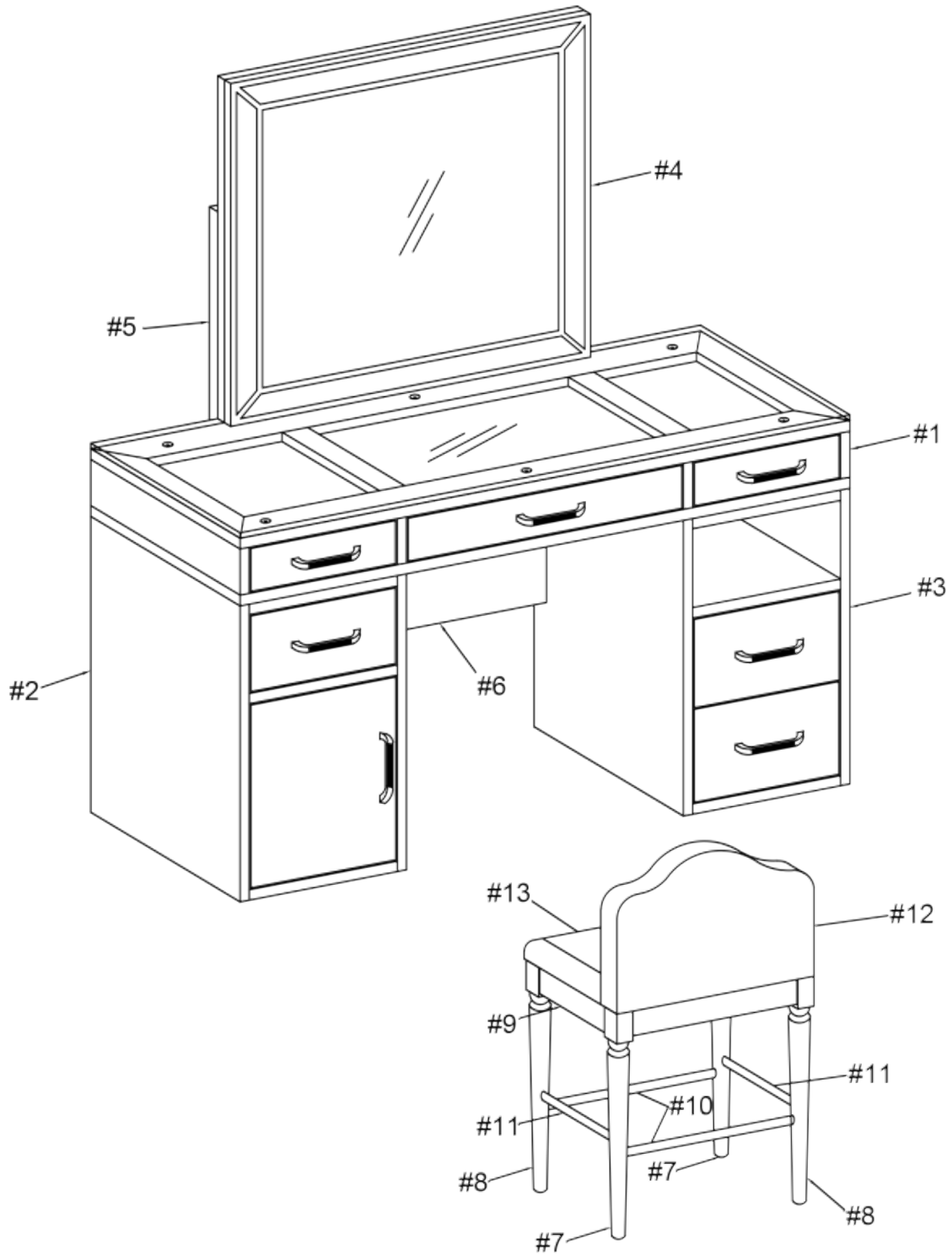
Glass suction cup
 $\text{\O}26\text{mm}$














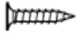










#J 1set



Anti-tip Skit

Exploded View



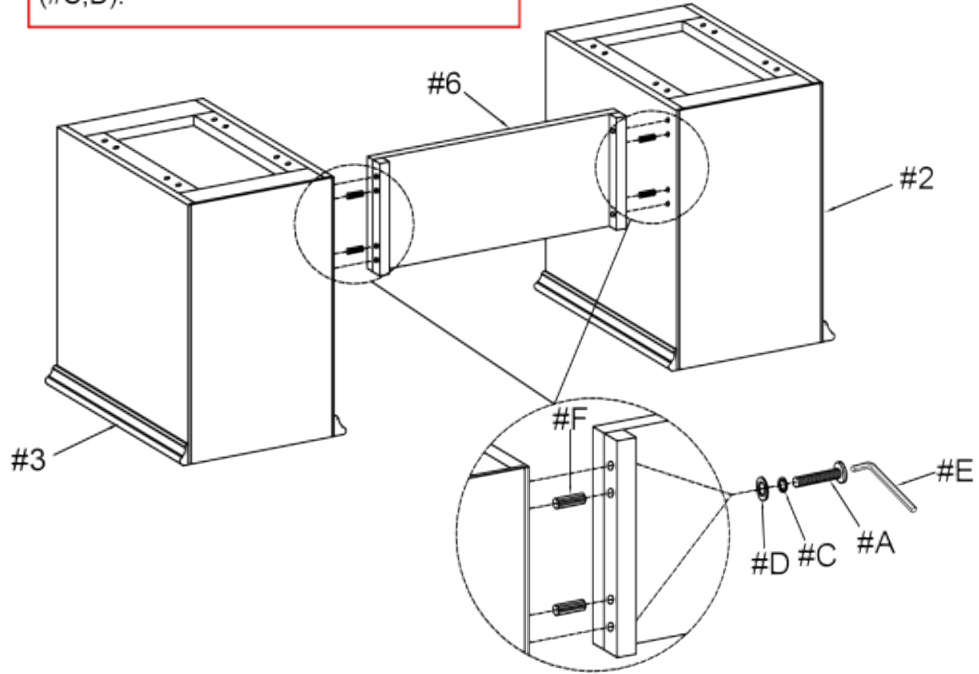
Carton	Disignation	Part	Hardware
	Table top	#1 	 #A x 25pcs
	Mirror support rail (2pcs)	#5 	 #B x 8pcs
	Backplane	#6 	 #C x 25pcs
	Stool Left leg(2pcs)	#7 	 #D x 25pcs
	Stool Right leg(2pcs)	#8 	 #E x 1pc
	Seat frame	#9 	 #F x 12pcs
	Front and rear stretcher(2pcs)	#10 	 #G x 6pcs
	Side Stretcher(2pcs)	#11 	 #H x 1pc
	Backrest	#12 	 #I x 6pcs
	Stool cushion	#13 	 #J x 1set
	Glass	#14 	
	Left bottom cabinet	#2 	
	Right bottom cabinet	#3 	
	Mirror	#4 	

ASSEMBLY INSTRUCTIONS

1

- Part #2 x1pc
- Part #3 x1pc
- Part #6 x1pc
- Hardware #A x4pcs
- Hardware #C x4pcs
- Hardware #D x4pcs
- Hardware #F x4pcs

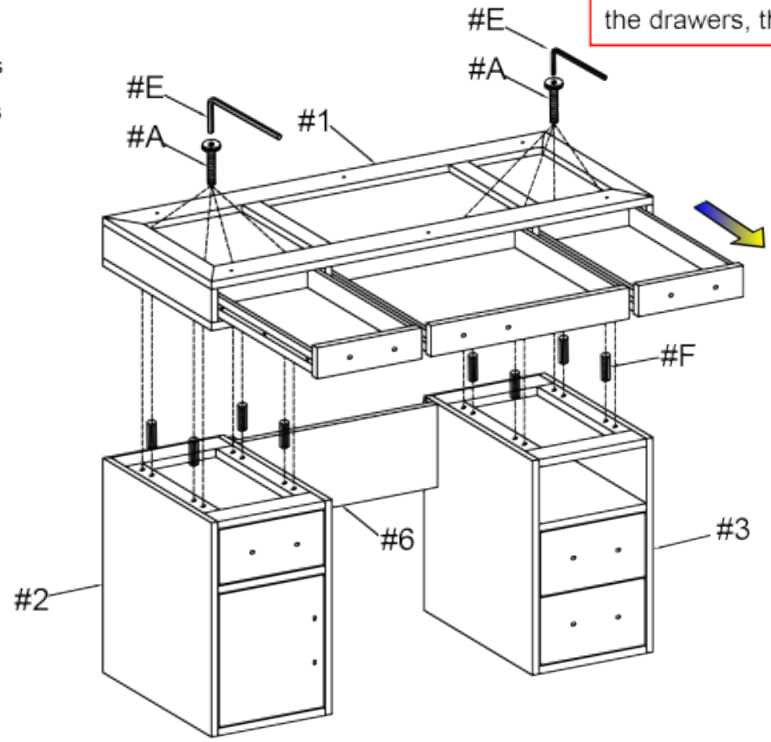
Insert dowels (#F) to back (#6). Align back (#6) to the cabinets (#2,3), then secure by using bolts (#A) with washers (#C,D).



2

- Part #1 x1pc
- Hardware #A x8pcs
- Hardware #F x8pcs

Insert dowels (#F) to the cabinets (#2,3), then align top (#1) to the cabinets (#3). Fully extend the drawers, then secure by using bolts (#A).

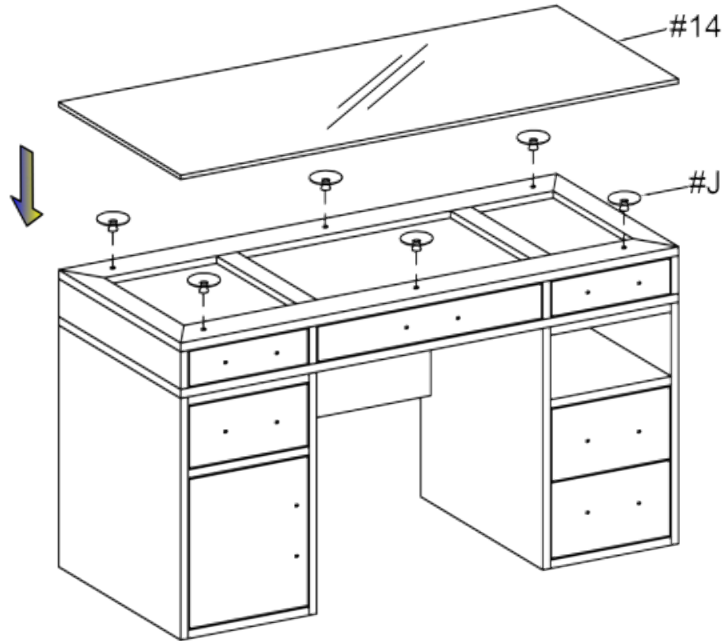


ASSEMBLY INSTRUCTIONS

3

Part #14 x1pc
Hardware #I x6pcs

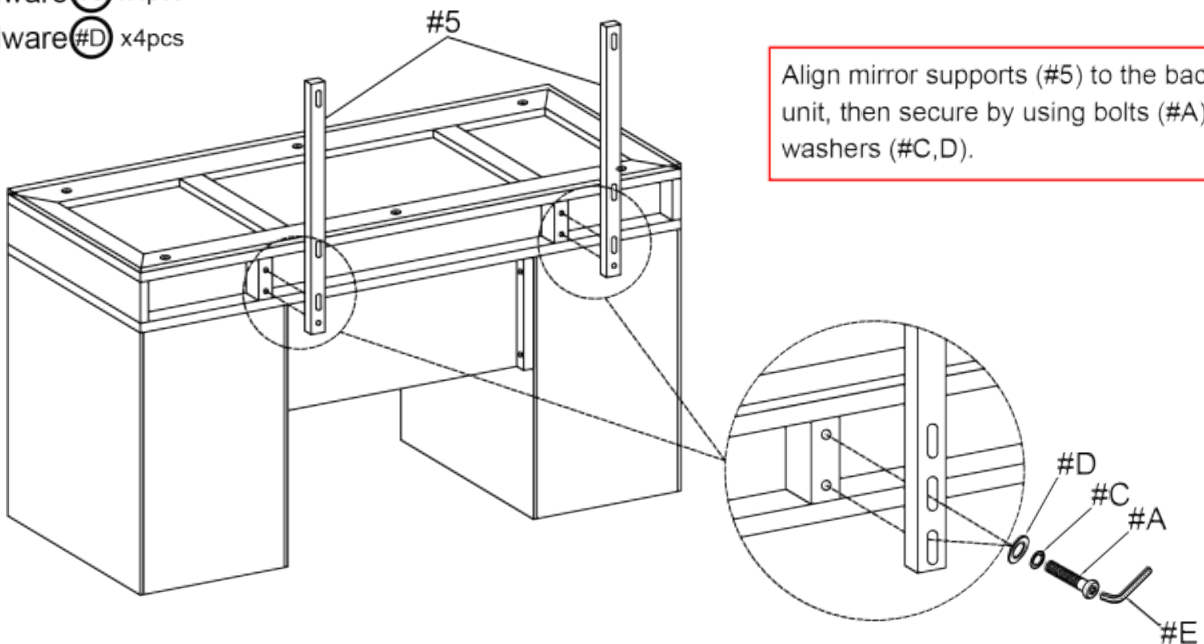
Insert suction cups (#J) to the top, then carefully place glass (#14) onto the top.



4

Part #5 x2pcs
Hardware #A x4pcs
Hardware #C x4pcs
Hardware #D x4pcs

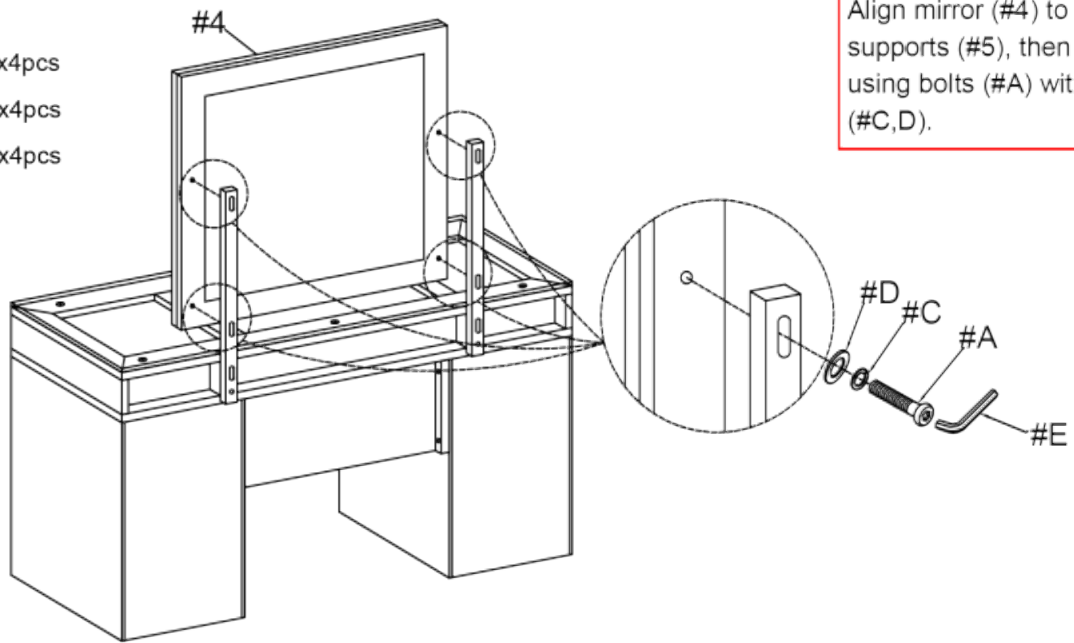
Align mirror supports (#5) to the back of unit, then secure by using bolts (#A) with washers (#C,D).



ASSEMBLY INSTRUCTIONS

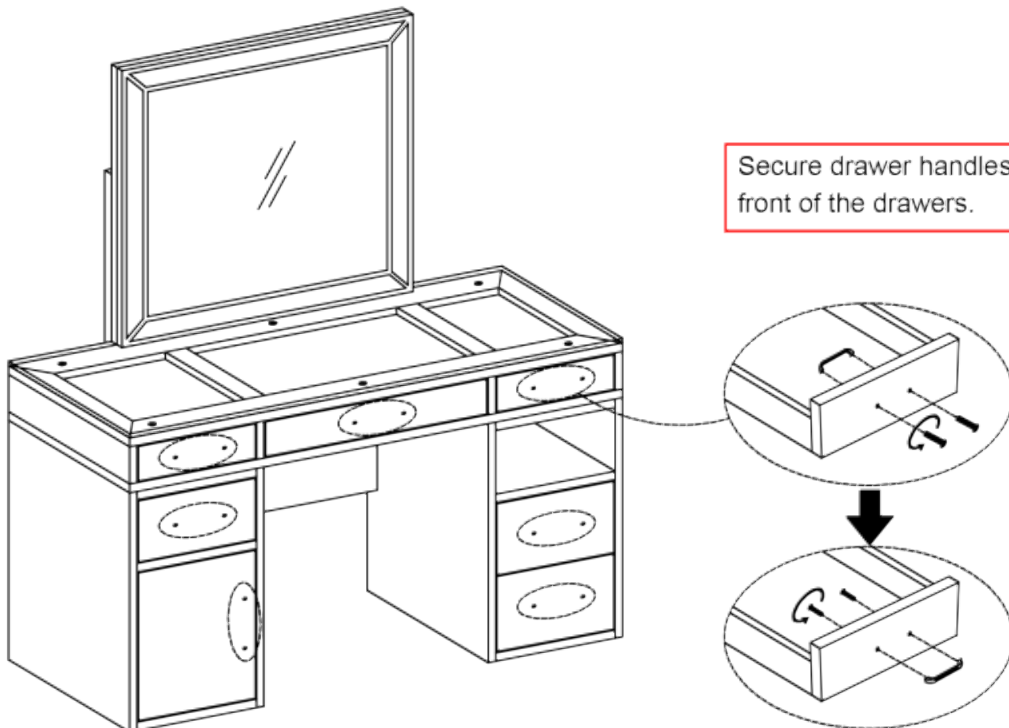
5

- Part #4 x1pc
- Hardware #A x4pcs
- Hardware #C x4pcs
- Hardware #D x4pcs



Align mirror (#4) to the mirror supports (#5), then secure by using bolts (#A) with washers (#C,D).

6

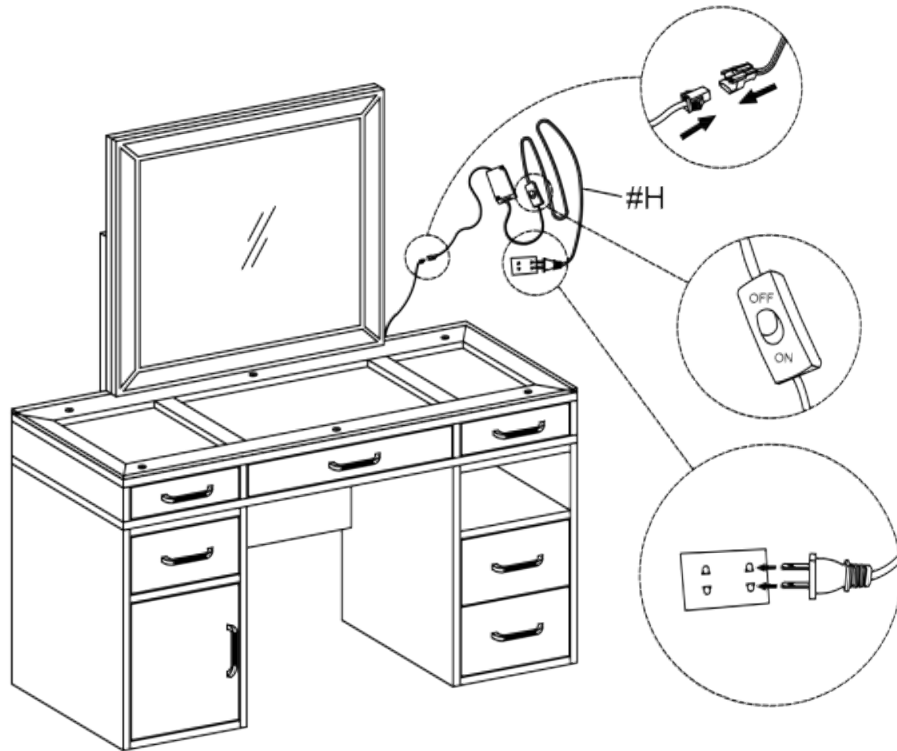


Secure drawer handles to the front of the drawers.

ASSEMBLY INSTRUCTIONS

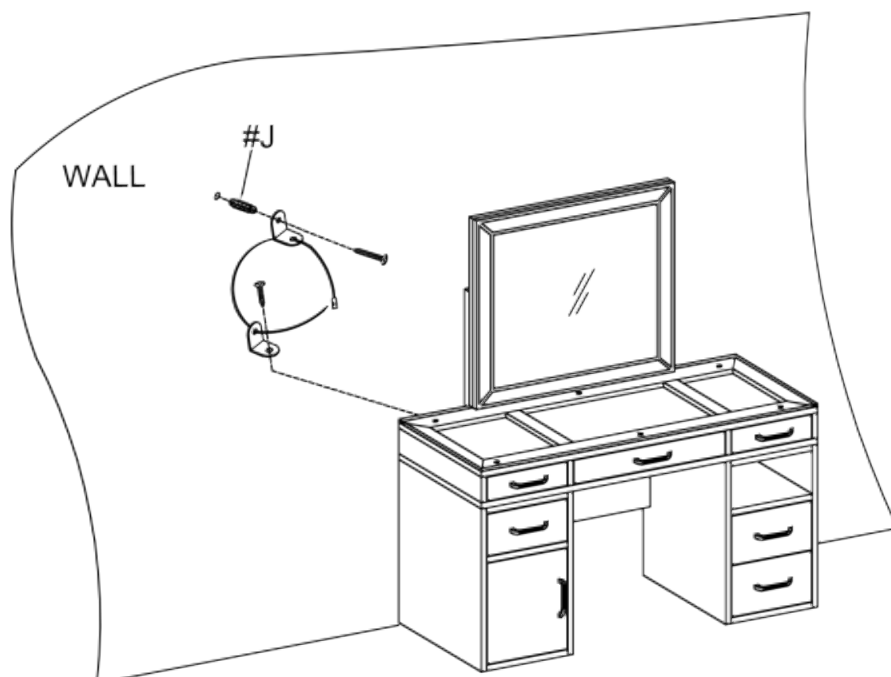
7

Hardware **#H** x1pc



8

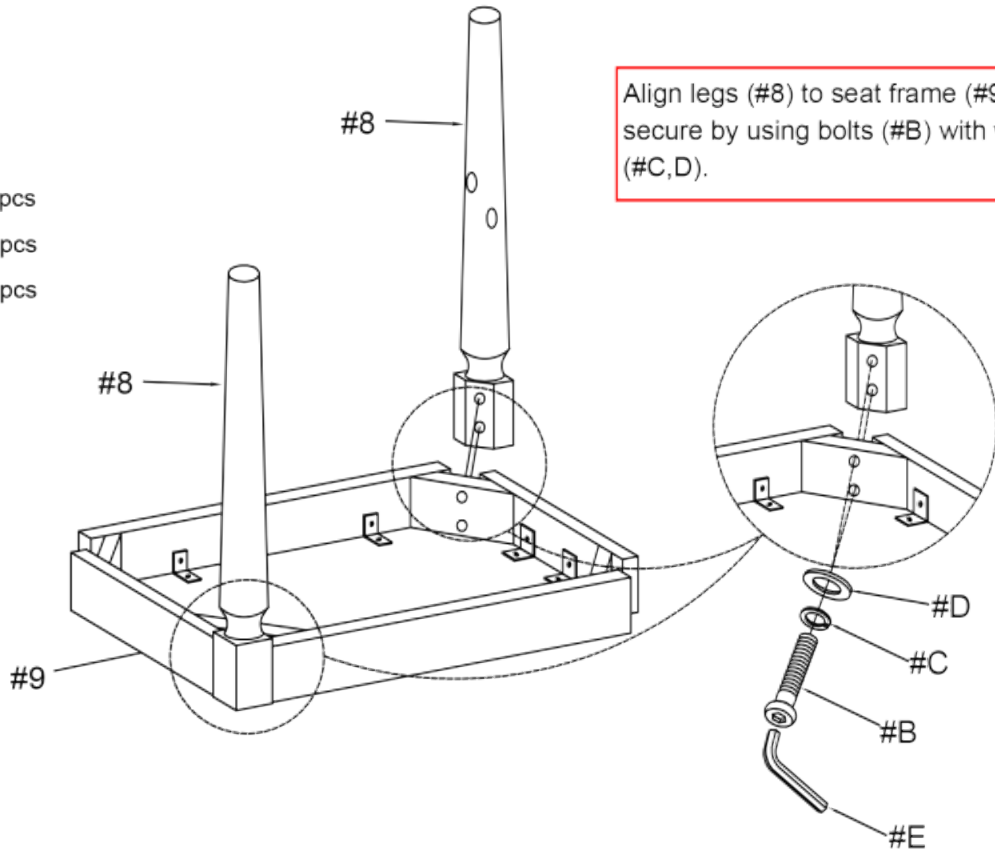
Hardware **#J** x1set



ASSEMBLY INSTRUCTIONS

9

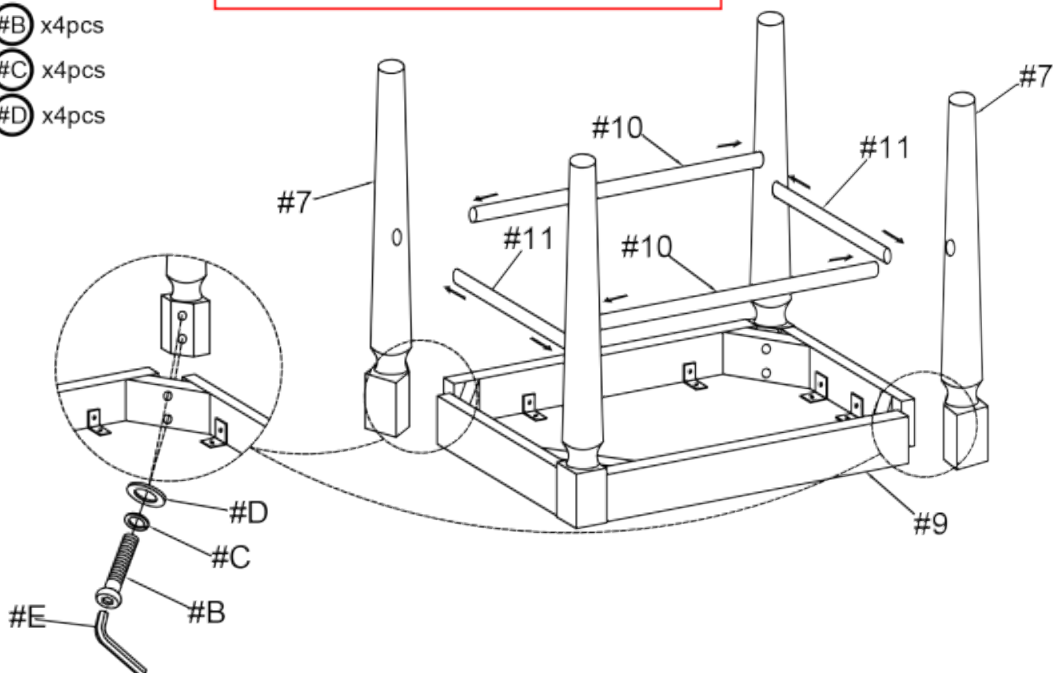
- Part #8 x2pcs
- Part #9 x1pc
- Hardware #B x4pcs
- Hardware #C x4pcs
- Hardware #D x4pcs



10

- Part #7 x2pcs
- Part #10 x2pcs
- Part #11 x2pcs
- Hardware #B x4pcs
- Hardware #C x4pcs
- Hardware #D x4pcs

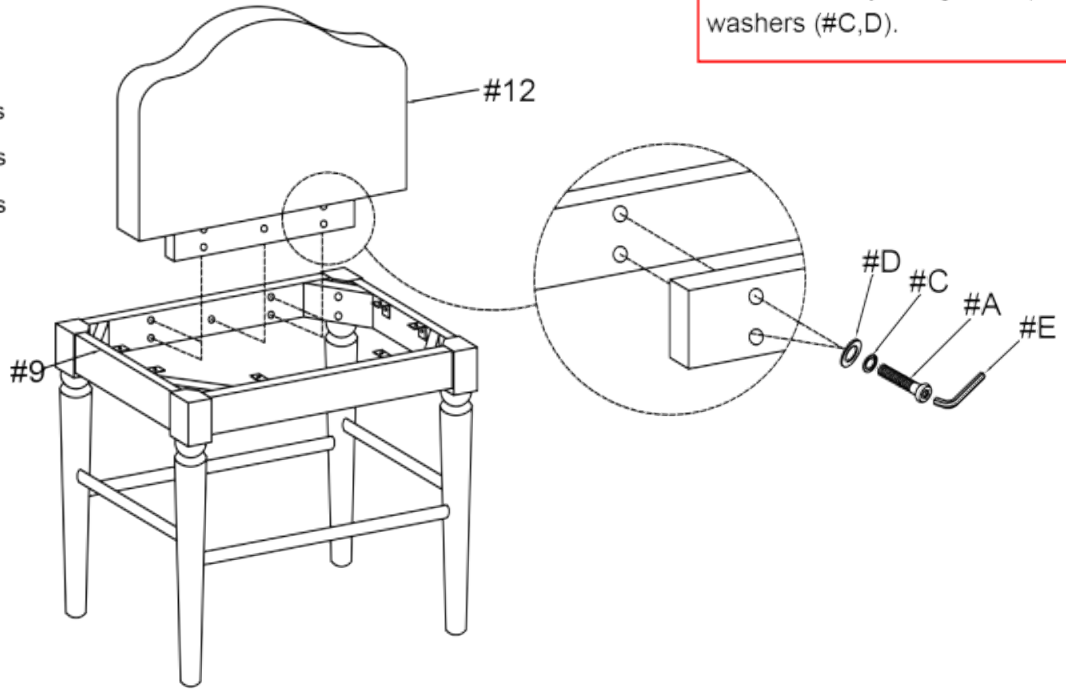
Align legs (#7) with stretchers (#10,11) to the frame (#9). Secure legs (#7) to frame (#9) by using bolts (#B) with washers (#C,D).



ASSEMBLY INSTRUCTIONS

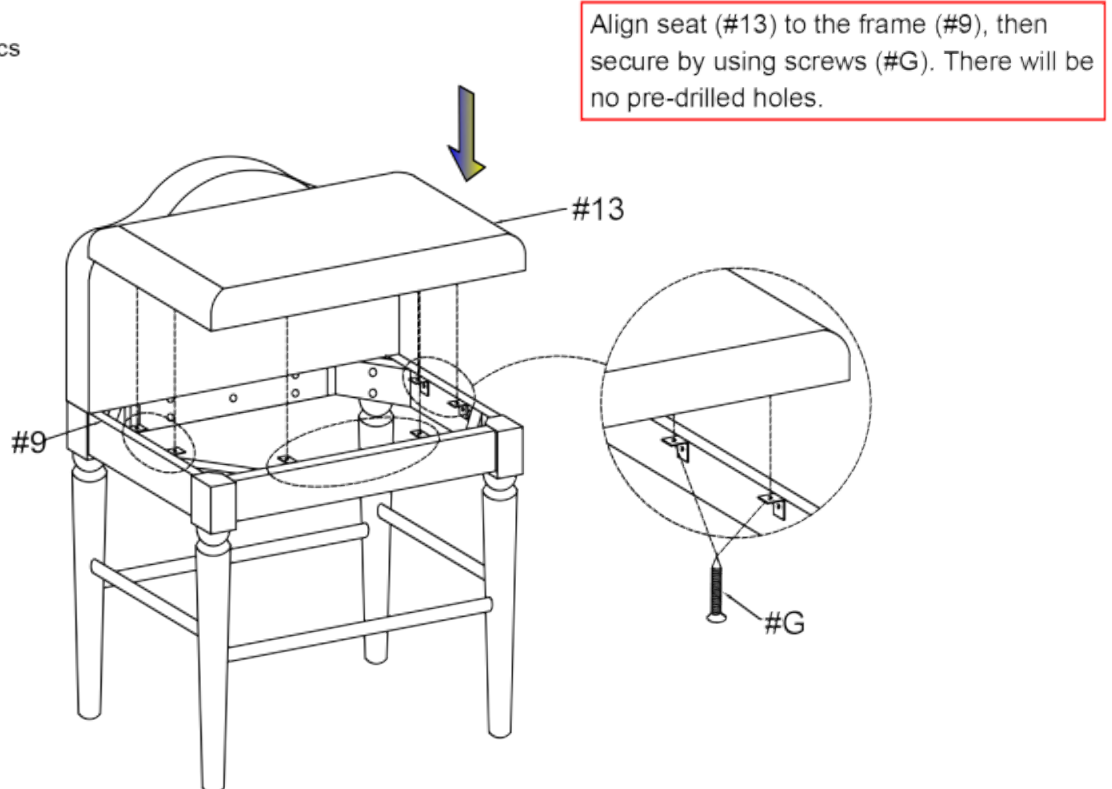
11

- Part #12 x1pc
- Hardware #A x5pcs
- Hardware #C x5pcs
- Hardware #D x5pcs



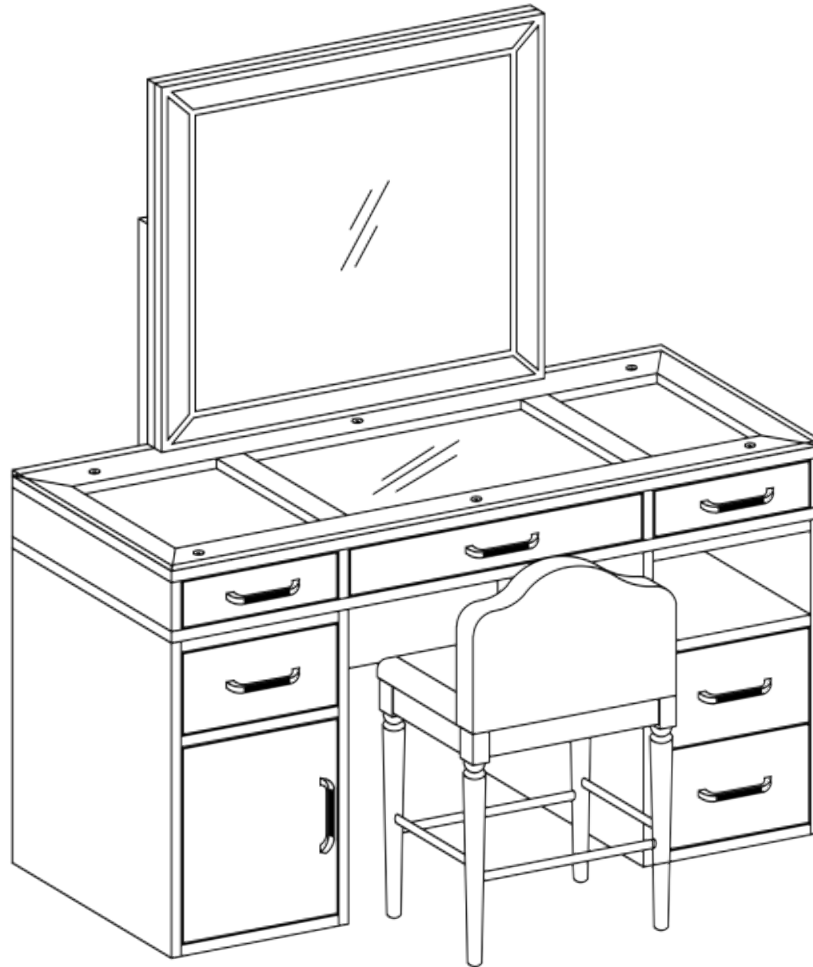
12

- Part #13 x1pc
- Hardware #G x6pcs



ASSEMBLY INSTRUCTIONS

13



ASSEMBLY COMPLETED



Please ensure the furniture rests on an even and flat surface. If the product wobbles or feels loose, double-check all bolts and/or screws are properly tightened and secured.

Keep this handy!

Please retain this instruction manual and any order-related information for future reference.

Lift, don't drag!

To avoid damage to product please always LIFT the product when transporting or adjusting the placement.

ASSEMBLY INSTRUCTIONS

Wall Mounting and Fixing



EXPANSION WALL ANCHOR

Our provided expansion wall anchors are only suitable for masonry walls, such as drywall, plaster or concrete, and are best for holding lightweight items or for anti-tip prevention. If you are unsure of the correct wall anchor to use with the product, please request professional guidance. Liability for product damage or failure due to using the incorrect anchors will fall on the installer.



CHECK BEFORE PROCEEDING

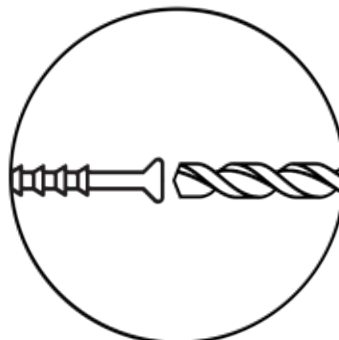
Prior to drilling or hammering, please check for wires or pipes. We recommend using a stud finder to locate a stud, which will offer more appropriate resistance and hold more weight.

QUICK TIPS

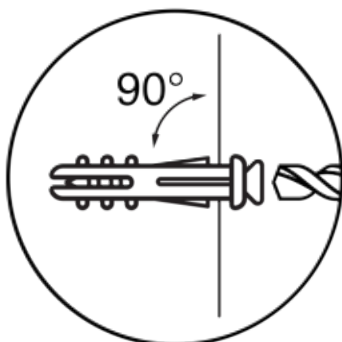
1. If unsure of the proper size, always choose a larger screw and wall anchor.



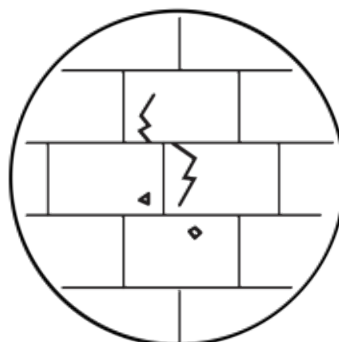
2. Match the drill bit to the wall anchor and hole size.



3. Only drill horizontally. Do not force the drill or enlarge the hole for the wall anchor.



4. Take extra care when drilling into high walls or ceramic tiles. Wall anchors should be a tight fit for the hole. Never use wall anchors in ceilings.



MAINTENANCE



We recommend a yearly check to see if the wall anchor or screw has loosened. If so, please remove the existing wall anchor and screw, and use a new anchor.