

ASSEMBLY INSTRUCTIONS



TOOLS REQUIRED



Allen Wrench

(Included)



Phillips
Screwdriver

(Not Included)



2 - People
Recommended

ASSEMBLY RATING



EASY —————> DIFFICULT

The Assembly Rating is a 5-point system showing the level of effort needed to assemble a specific product.



CHECK BEFORE STARTING

Are you missing anything?

Double-check all parts, hardware and accessories listed on Page 6 are accounted for.

Check out our Quick Tips!

We recommend reviewing the pre-assembly handouts. Even experts need a refresher now and then!

Should we send any replacements?

Are there any irregularities or flaws in the parts? We can send replacements!

Prep Time!

Please review the assembly instructions and all diagrams prior to assembling. Arrange parts as recommended on Page 7 and group identical hardware together to make assembling easier.

PRE ASSEMBLY INTRODUCTION

We understand building ready-to-assemble furniture can be a challenging experience for some. To help avoid confusion, we have provided some helpful tips that may speed up the process.



Teamwork

ALWAYS have at least two people to help with transporting and assembling the product to avoid potential injury and/or damage.



Suitable Location

Assembling near the area of the intended location is highly recommended.



Sufficient Space

Make sure you have enough space to move around during the assembly.



Avoid Scratches

Use cardboard, blankets or a carpeted area while assembling furniture to prevent scratches.



Flat Surface

Make sure the furniture rests on a flat and level surface with each leg evenly touching the floor.

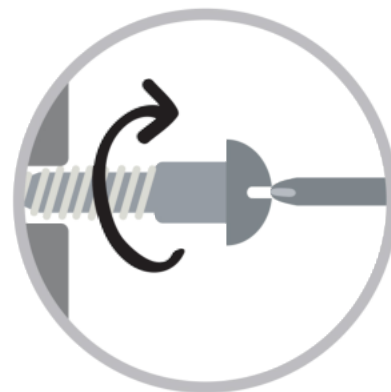
ASSEMBLY AND CARE ADVICE



FAILURE TO FOLLOW THE GUIDELINES BELOW MAY RESULT IN INJURY AND/OR PROPERTY DAMAGE.



Position each part correctly and insert screws or bolts into their respective holes.



Turn clockwise to tighten and only tighten when step is completed or when instructed to do so.



Use the appropriate hand tools or power tools for assembly. Select steps, such as tightening screws and/or bolts, may require hand tools to avoid causing damage during assembly.



Save the instructions and store any supplied tools for later maintenance.



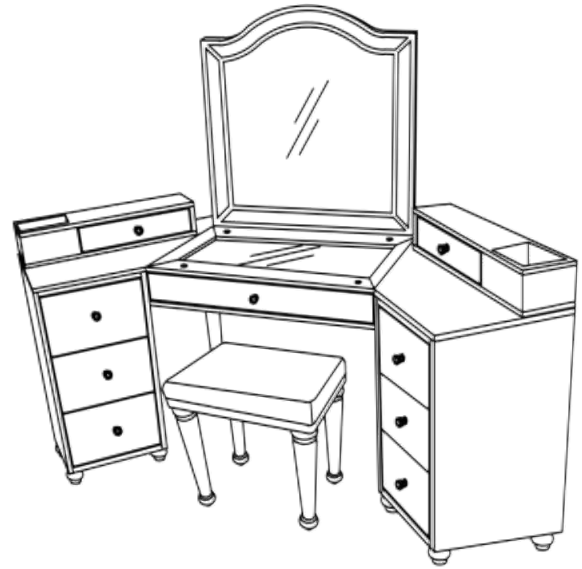
After two weeks, check and tighten any loose hardware and repeat again every six months thereafter.

IT IS THE USER'S RESPONSIBILITY TO MAINTAIN THE FURNITURE. THE HARDWARE MAY LOOSEN OVER TIME AND MAY CAUSE THE FURNITURE TO BE WOBBLY AND UNABLE TO SUPPORT ITS INTENDED WEIGHT CAPACITY. THIS MAY LEAD TO COLLAPSE AND MAY CAUSE SERIOUS INJURY.

VANITY SET

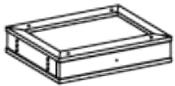


- Please keep instructions for future reference.
- Check the quantity and irregularity of parts and hardware before you start.



PARTS

#1 1pc



Middle Drawer

#2 1pc



Cabinet
Top Panel (L)

#3 1pc



Cabinet
Top Panel (R)

#4 1pc



Left Cabinet

#5 1pc



Right Cabinet

#6 1pc



Left
Jewelry Drawer

#7 1pc



Right
Jewelry Drawer

#8 1pc



Mirror

#9 2pcs



Mirror
Support Rail

#10 2pcs

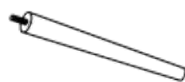


Table Leg

#11 8pcs



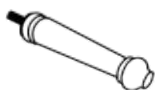
Bun Feet

#12 1pc



Stool Seat

#13 4pcs



Stool Leg

#14 1pc



Glass

HARDWARE

#A 28pcs



Bolt
Ø1/4" x 1-3/16"

#B 8pcs



Lock Washer
Ø1/4"

#C 8pcs



Flat Washer
Ø5/16"

#D 1pc



Allen Wrench 4mm

#E 12pcs



Wood Dowel
Ø8 x 20mm

#F 4pcs



Connect iron

#G 8pcs



Wood screw
3 x 1/2"

#H 1pc



Plug

#I 4pcs

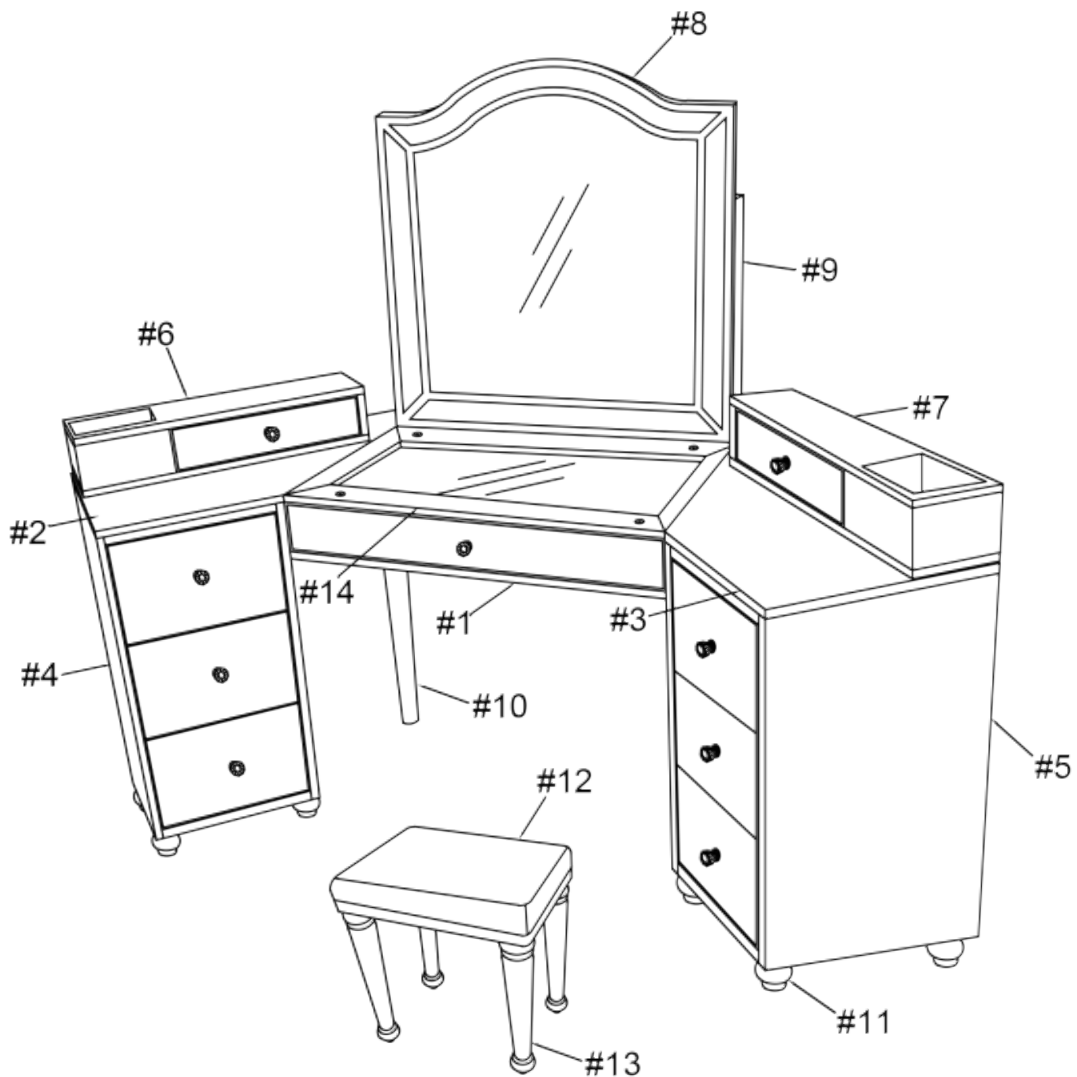

























Glass suction cup
Ø26mm

#J 1set



Anti-tip Skit



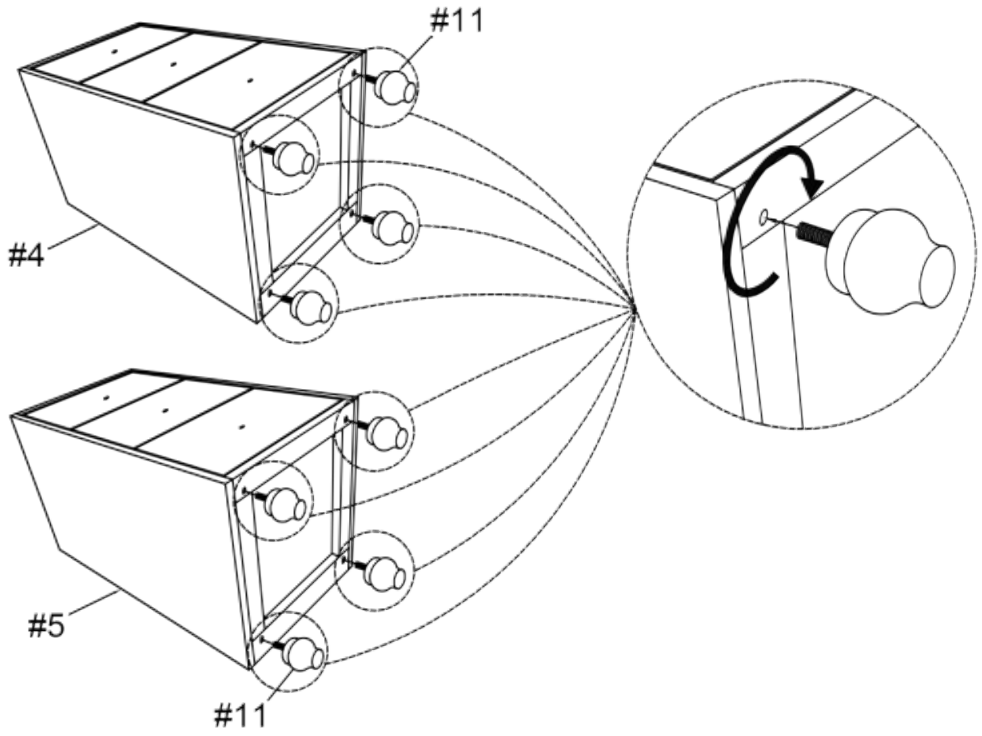
Carton	Disignation	Part	Hardware
	Left cabinet	#4 	
	Right cabinet	#5 	
	Middle drawer	#1 	 #A x 28pcs
	Cabinet top panel (L)	#2 	 #B x 8pcs
	Cabinet top panel (R)	#3 	 #C x 8pcs
	Left jewelry drawer	#6 	 #D x 1pc
	Right jewelry drawer	#7 	 #E x 12pcs
	Mirror support rail (2pcs)	#9 	 #G x 8pcs
	Table leg (2pcs)	#10 	 #H x 1pc
	Bun Feet (8pcs)	#11 	 #I x 4pcs
	Stool seat	#12 	 #J x 1set
	Stool leg(4pcs)	#13 	
	Glass	#14 	
	Mirror	#8 	

ASSEMBLY INSTRUCTIONS

1

- Part #4 x1pc
- Part #5 x1pc
- Part #11 x8pcs

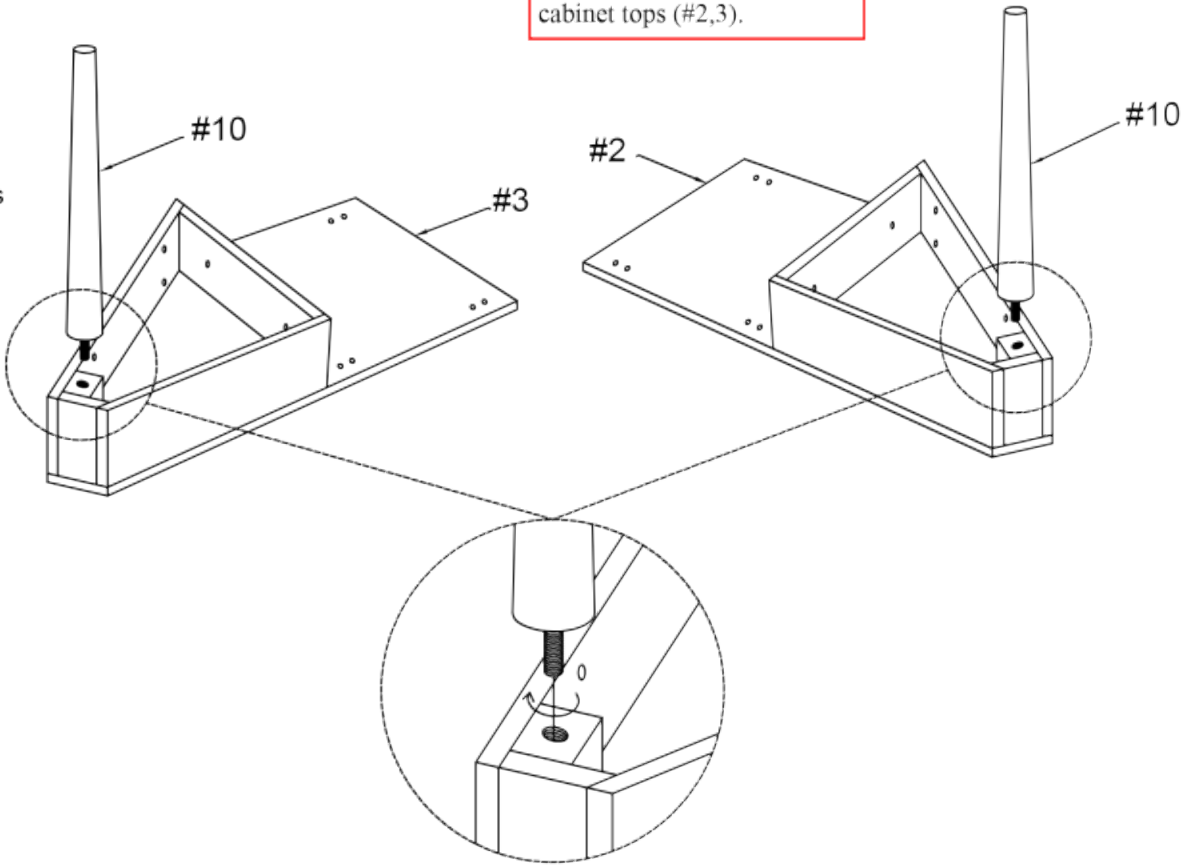
Align and attach the bun feet (#11) to the cabinets (#4,5).



2

- Part #2 x1pc
- Part #3 x1pc
- Part #10 x2pcs

Attach table legs (#10) to the cabinet tops (#2,3).

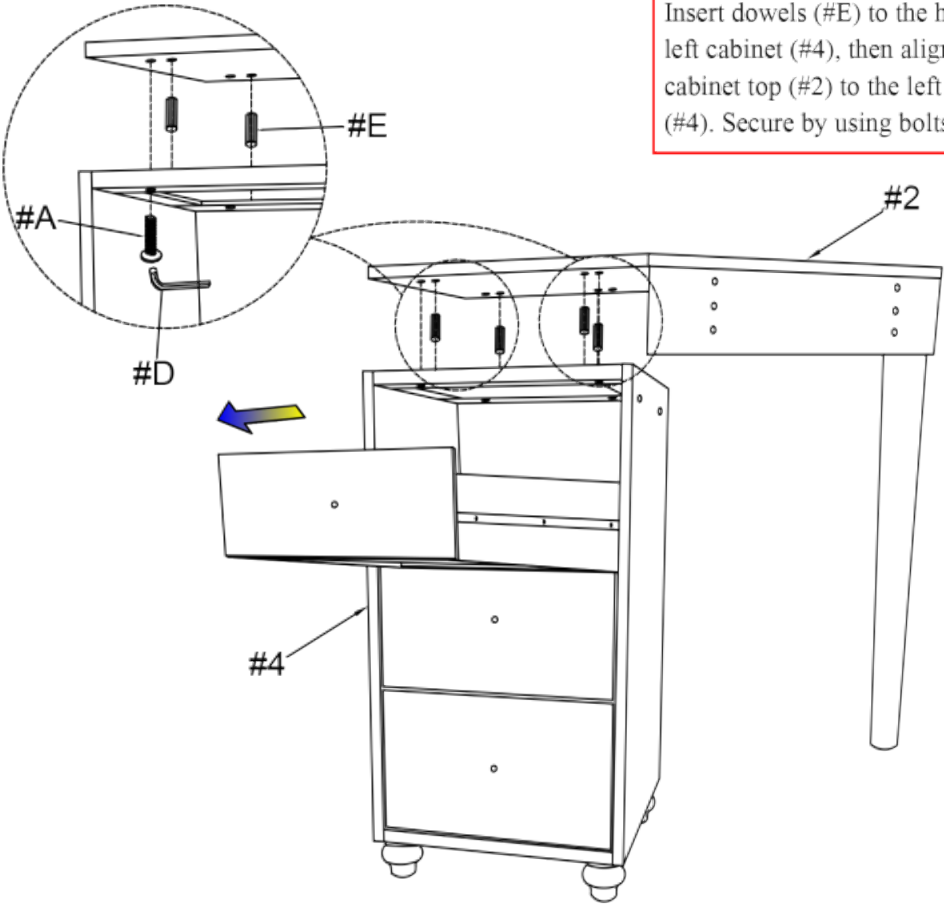


ASSEMBLY INSTRUCTIONS

3

Hardware **#A** x2pcs

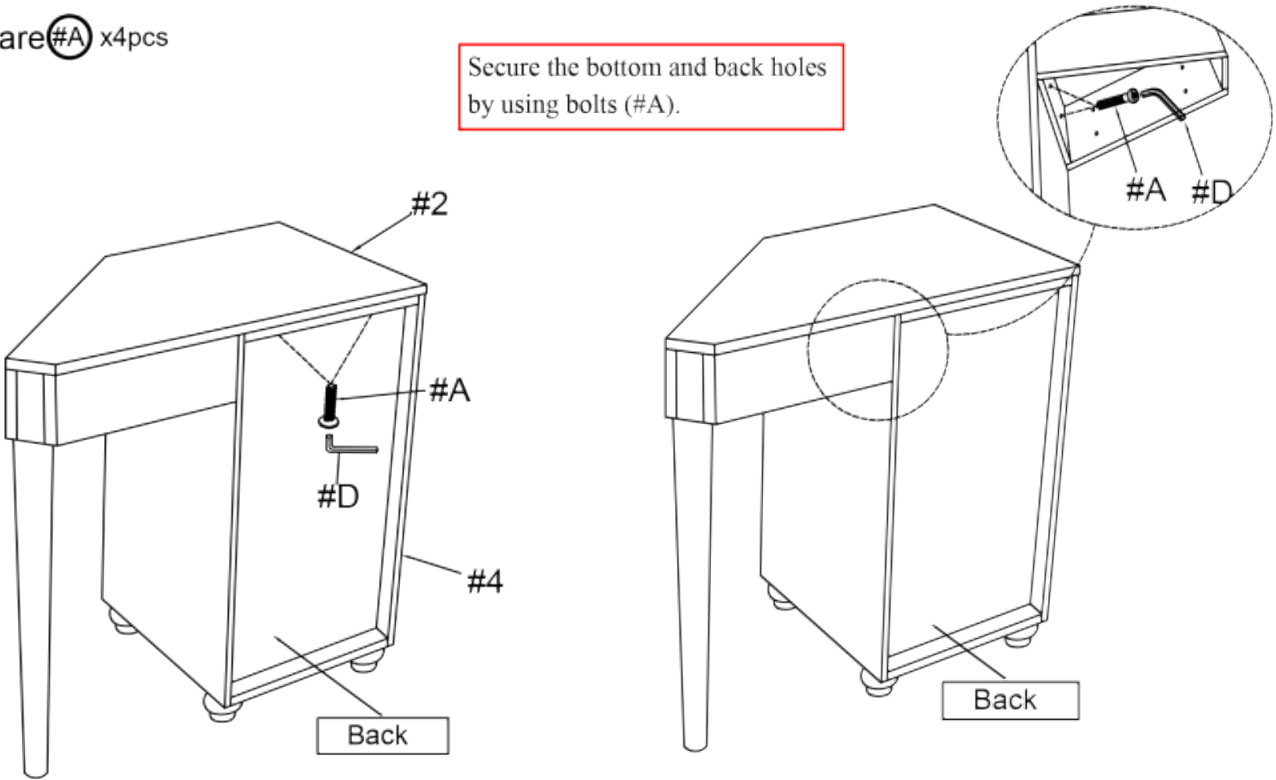
Hardware **#E** x4pcs



4

Hardware **#A** x4pcs

Secure the bottom and back holes by using bolts (#A).



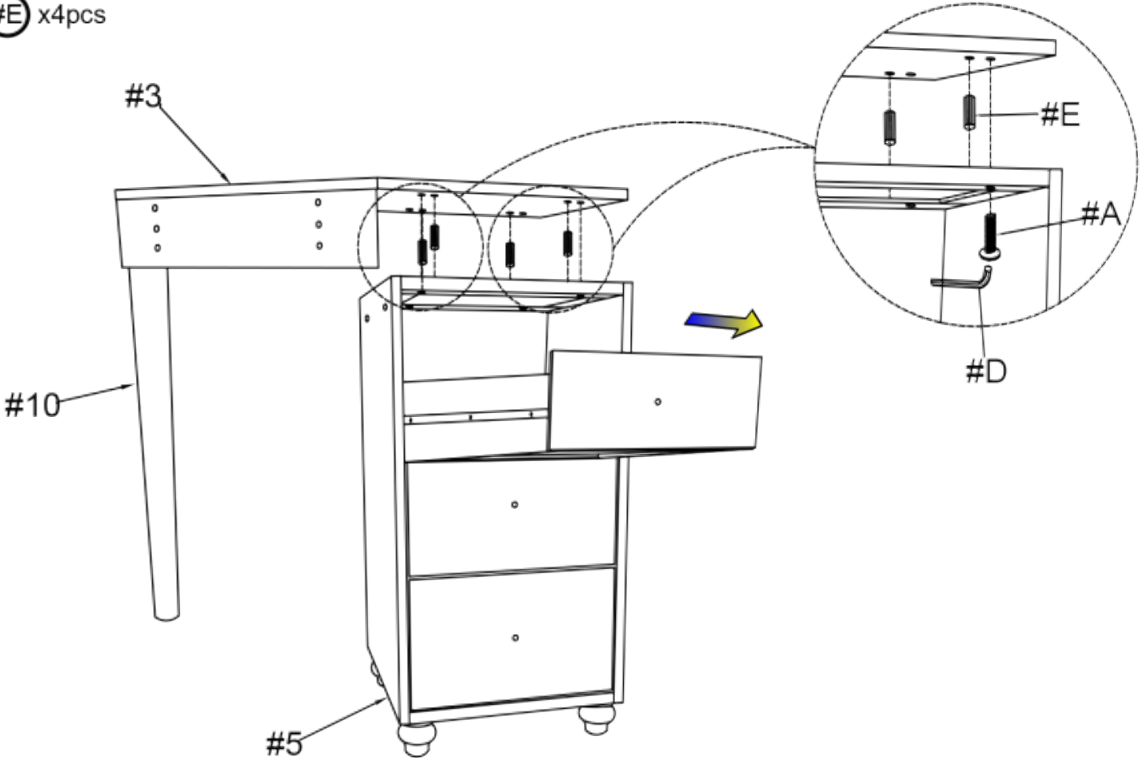
ASSEMBLY INSTRUCTIONS

5

Hardware **#A** x2pcs

Hardware **#E** x4pcs

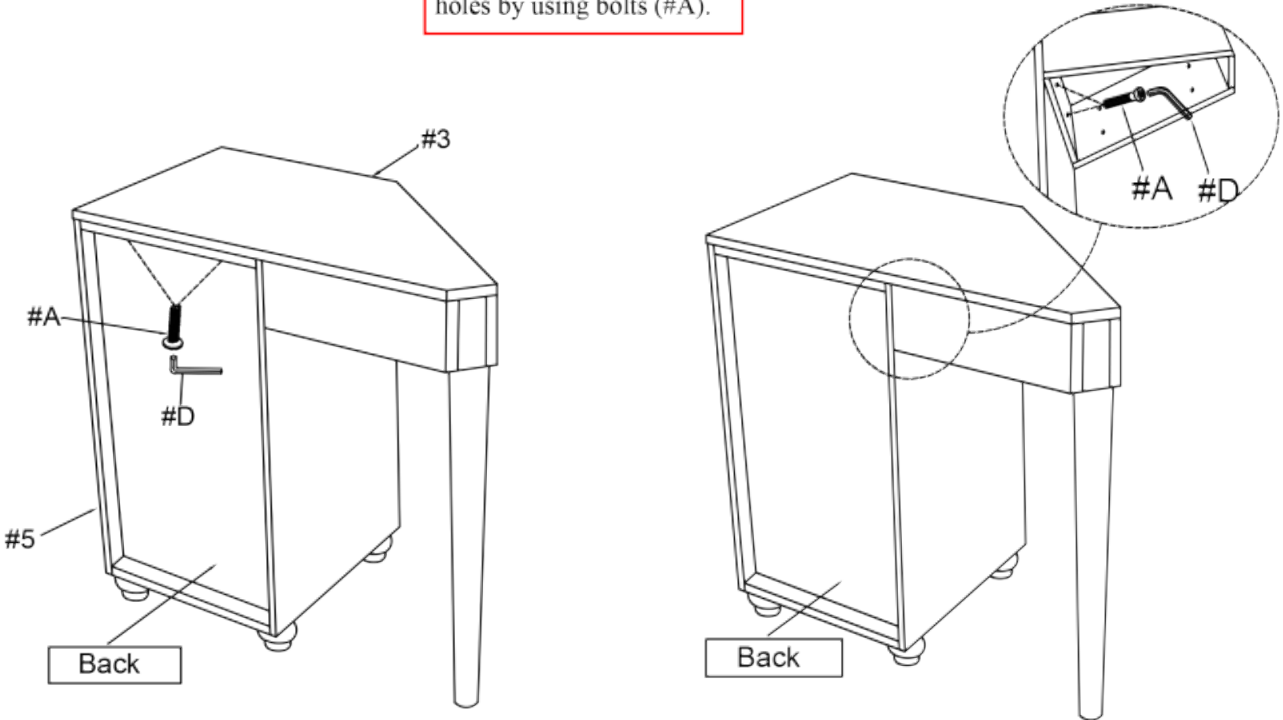
Insert dowels (**#E**) to the holes of the right cabinet (**#5**), then align right cabinet top (**#3**) to the right cabinet (**#5**). Secure by using bolts (**#A**).



6

Hardware **#A** x4pcs

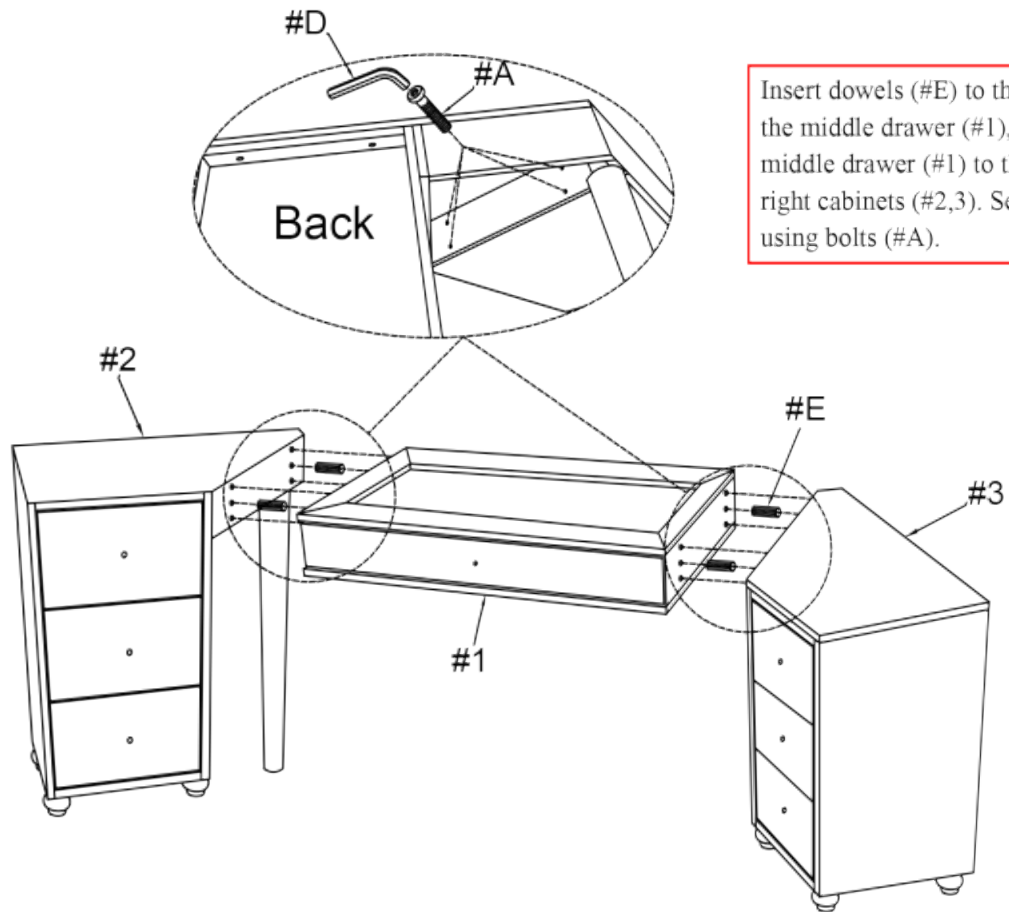
Secure the bottom and back holes by using bolts (**#A**).



ASSEMBLY INSTRUCTIONS

7

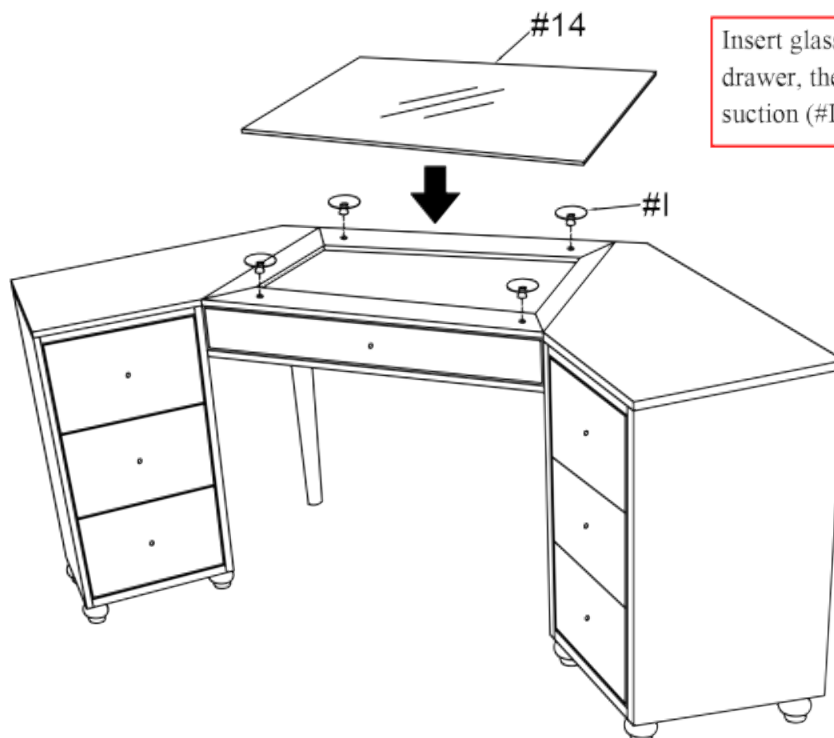
Part **#1** x1pc
Hardware **#A** x8pcs
Hardware **#E** x4pcs



Insert dowels (#E) to the holes of the middle drawer (#1), then align middle drawer (#1) to the left and right cabinets (#2,3). Secure by using bolts (#A).

8

Part **#14** x1pc
Hardware **#I** x4pcs



Insert glass suction (#I) to the middle drawer, then place glass (#14) onto suction (#I).

ASSEMBLY INSTRUCTIONS

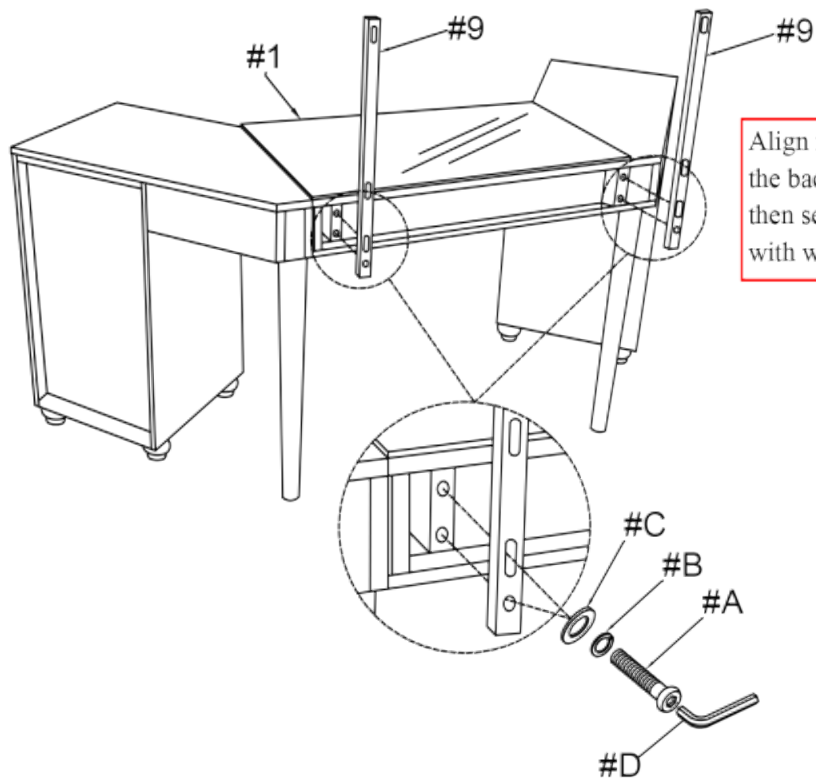
9

Part #9 x2pcs

Hardware #A x4pcs

Hardware #B x4pcs

Hardware #C x4pcs



Align mirror supports (#9) to the back of middle drawer (#1), then secure by using bolts (#A) with washers (#B,C).

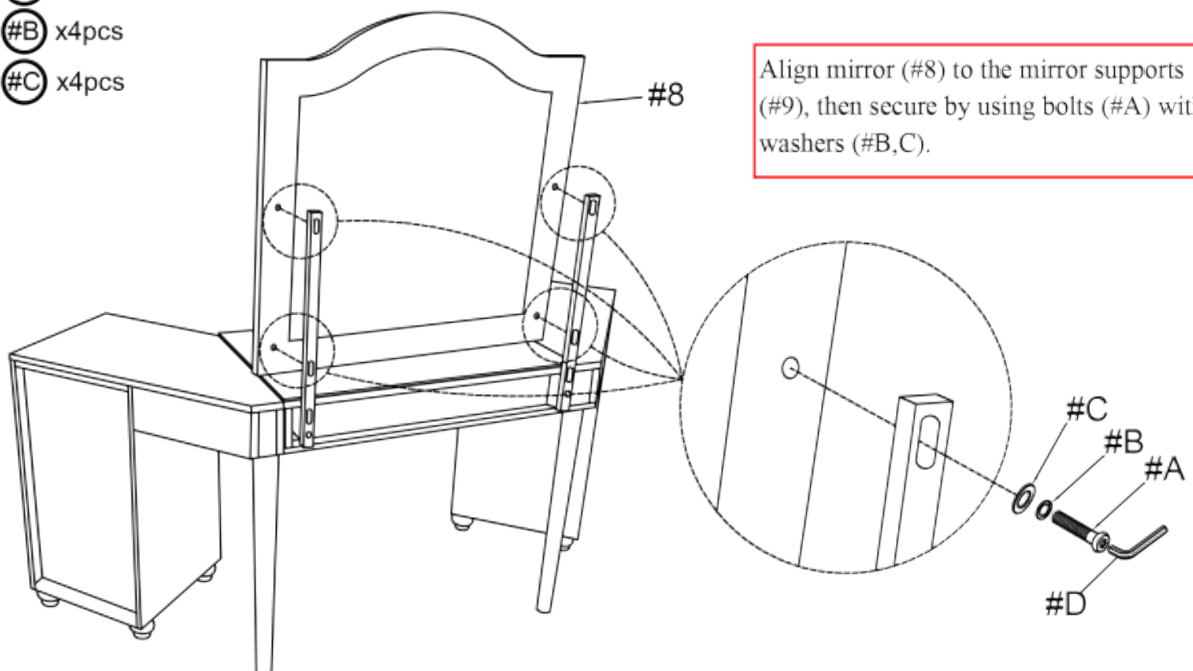
10

Part #8 x1pc

Hardware #A x4pcs

Hardware #B x4pcs

Hardware #C x4pcs



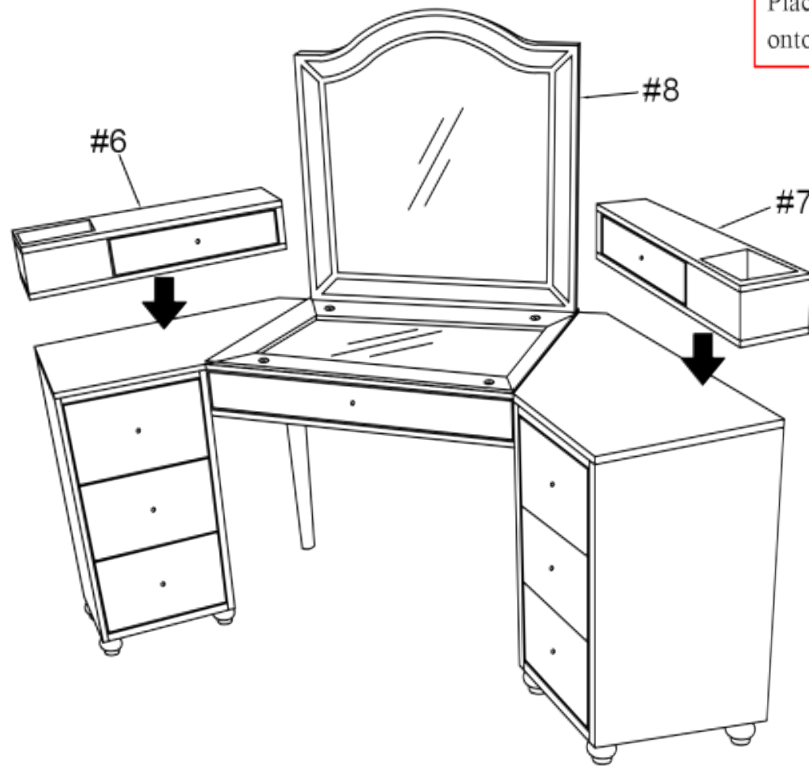
Align mirror (#8) to the mirror supports (#9), then secure by using bolts (#A) with washers (#B,C).

ASSEMBLY INSTRUCTIONS

11

Part #6 x1pc

Part #7 x1pc

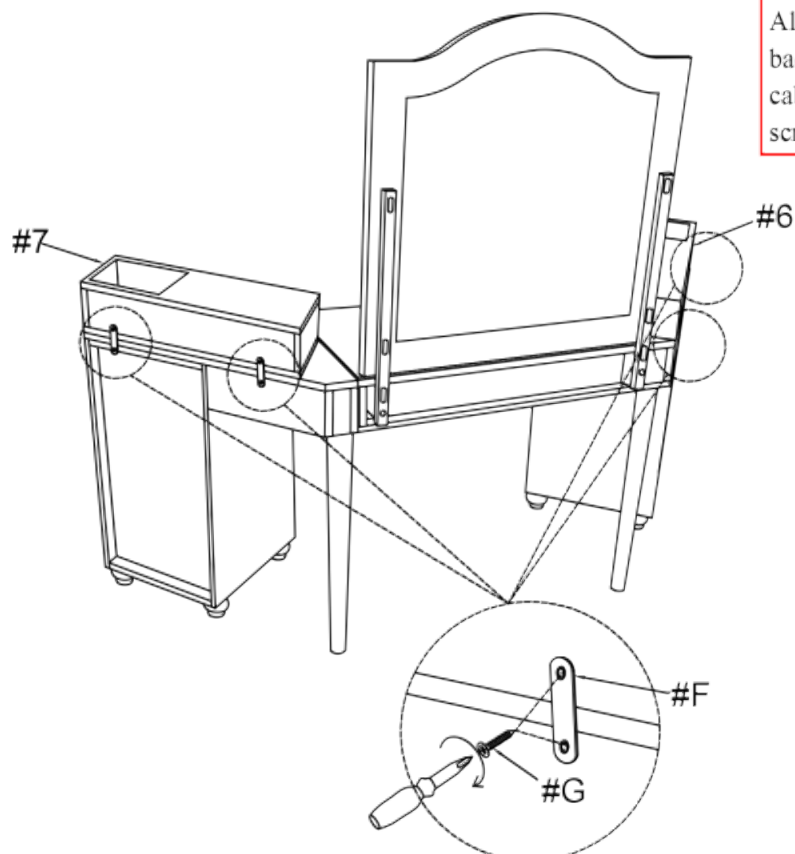


Place jewelry drawers (#6,7) onto cabinet.

12

Hardware #F x4pcs

Hardware #G x8pcs

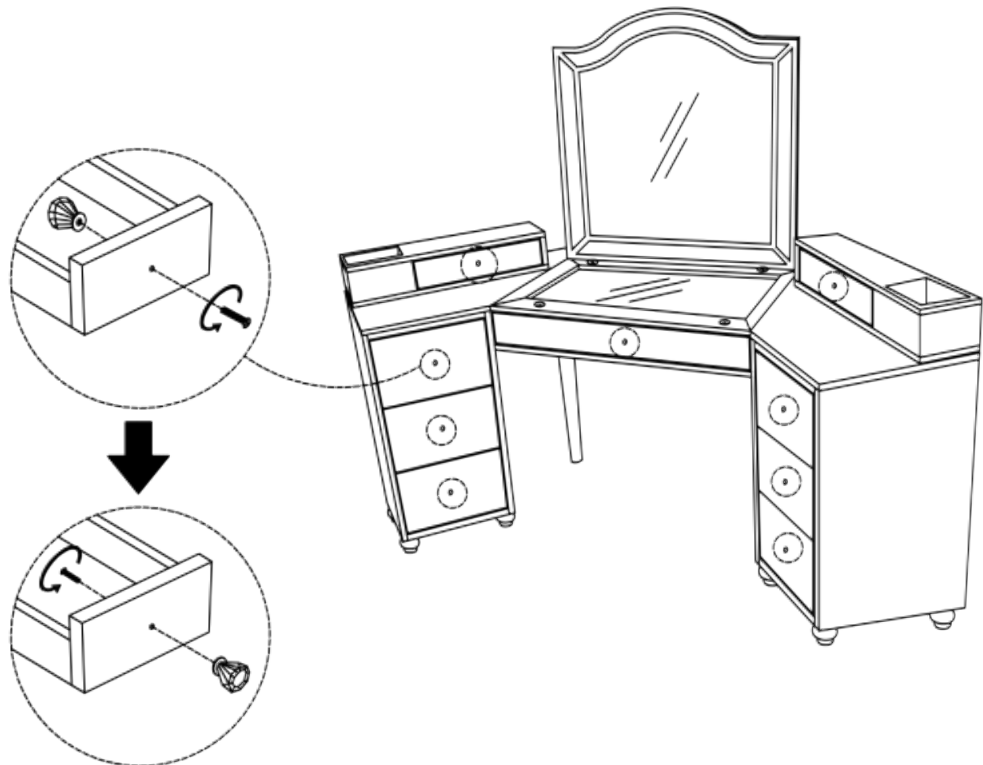


Align brackets (#F) to the back of the jewelry drawer and cabinet, then secure by using screws (#G).

ASSEMBLY INSTRUCTIONS

13

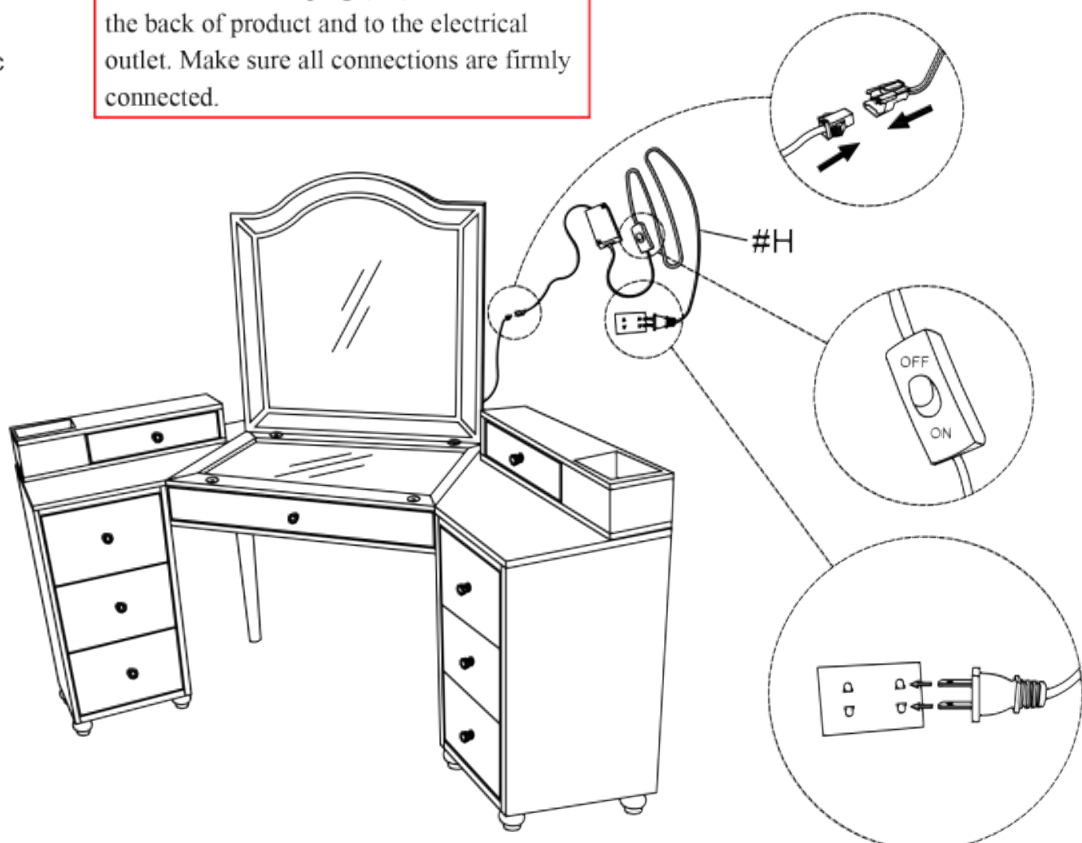
Secure knobs to the front of the drawers.



14

Hardware  x1pc

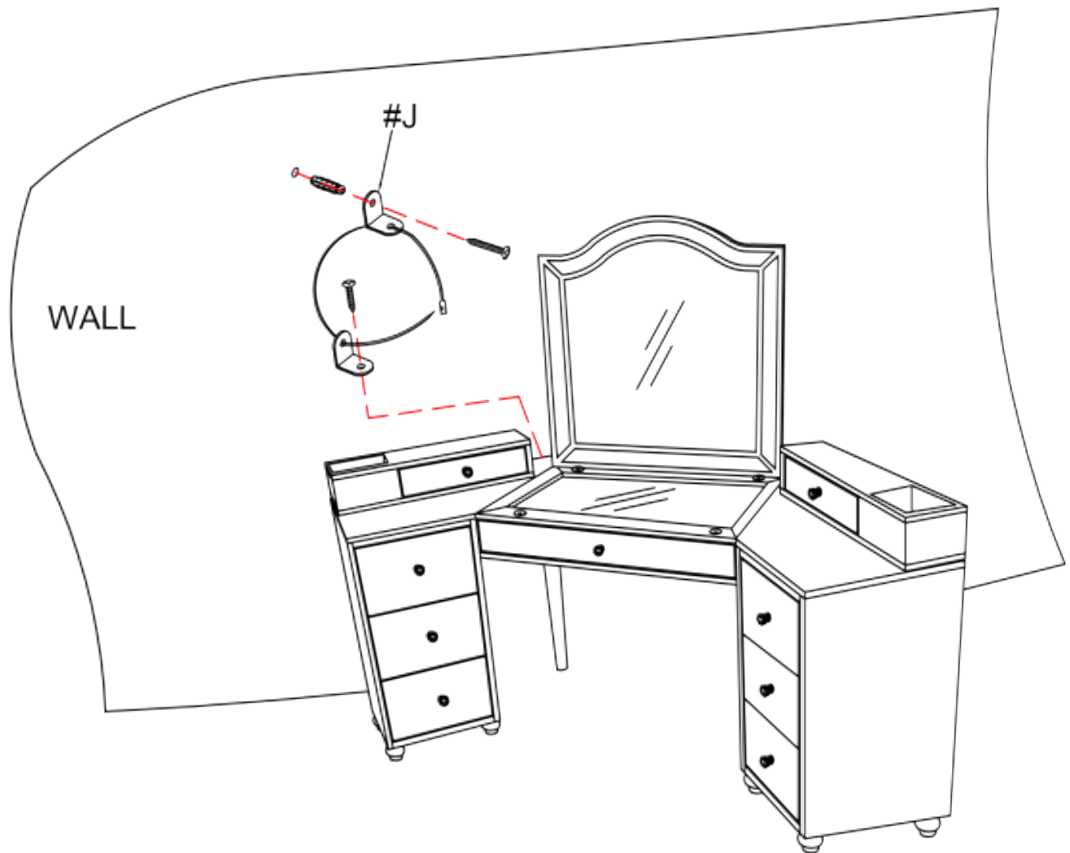
Connect the wired plug (#H) to the wire in the back of product and to the electrical outlet. Make sure all connections are firmly connected.



ASSEMBLY INSTRUCTIONS

15

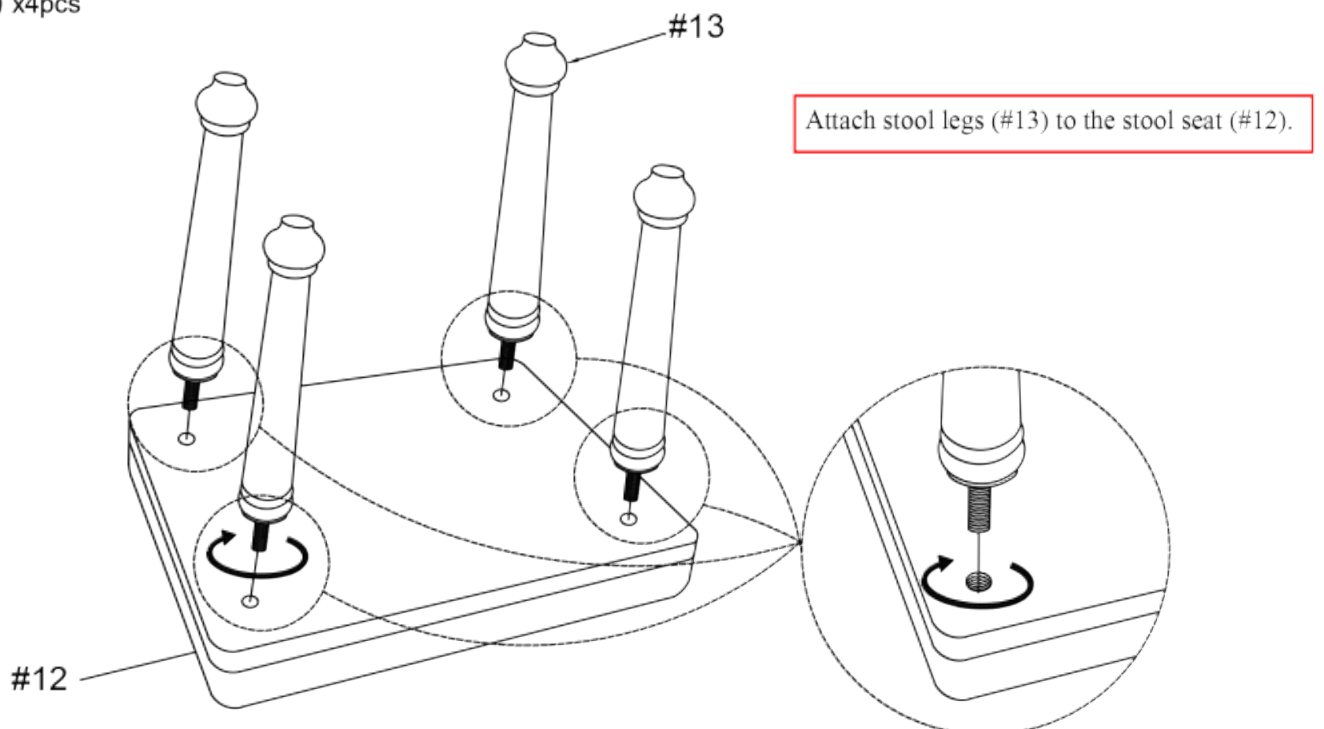
Hardware **#J** x1pc



16

Part **#12** x1pc

Part **#13** x4pcs



ASSEMBLY INSTRUCTIONS

17



ASSEMBLY COMPLETED



Please ensure the furniture rests on an even and flat surface. If the product wobbles or feels loose, double-check all bolts and/or screws are properly tightened and secured.



Keep this handy!

Please retain this instruction manual and any order-related information for future reference.



Lift, don't drag!

To avoid damage to product please always LIFT the product when transporting or adjusting the placement.

ASSEMBLY INSTRUCTIONS

Wall Mounting and Fixing



EXPANSION WALL ANCHOR

Our provided expansion wall anchors are only suitable for masonry walls, such as drywall, plaster or concrete, and are best for holding lightweight items or for anti-tip prevention. If you are unsure of the correct wall anchor to use with the product, please request professional guidance. Liability for product damage or failure due to using the incorrect anchors will fall on the installer.

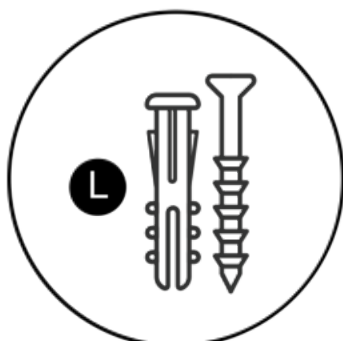


CHECK BEFORE PROCEEDING

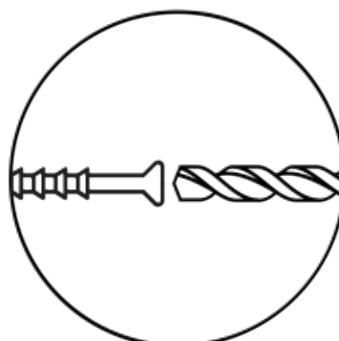
Prior to drilling or hammering, please check for wires or pipes. We recommend using a stud finder to locate a stud, which will offer more appropriate resistance and hold more weight.

QUICK TIPS

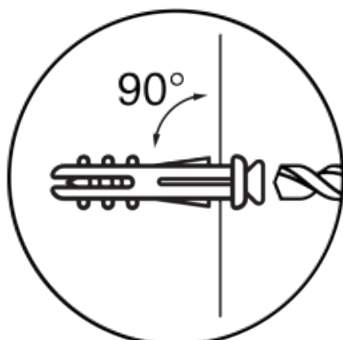
1. If unsure of the proper size, always choose a larger screw and wall anchor.



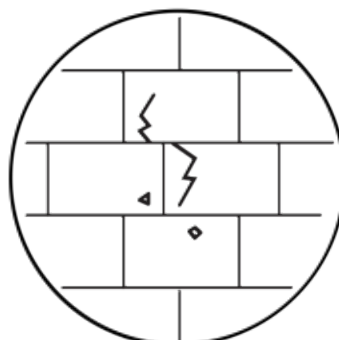
2. Match the drill bit to the wall anchor and hole size.



3. Only drill horizontally. Do not force the drill or enlarge the hole for the wall anchor.



4. Take extra care when drilling into high walls or ceramic tiles. Wall anchors should be a tight fit for the hole. Never use wall anchors in ceilings.



MAINTENANCE



We recommend a yearly check to see if the wall anchor or screw has loosened. If so, please remove the existing wall anchor and screw, and use a new anchor.