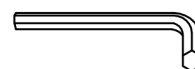


# ASSEMBLY INSTRUCTIONS

---

## TOOLS REQUIRED



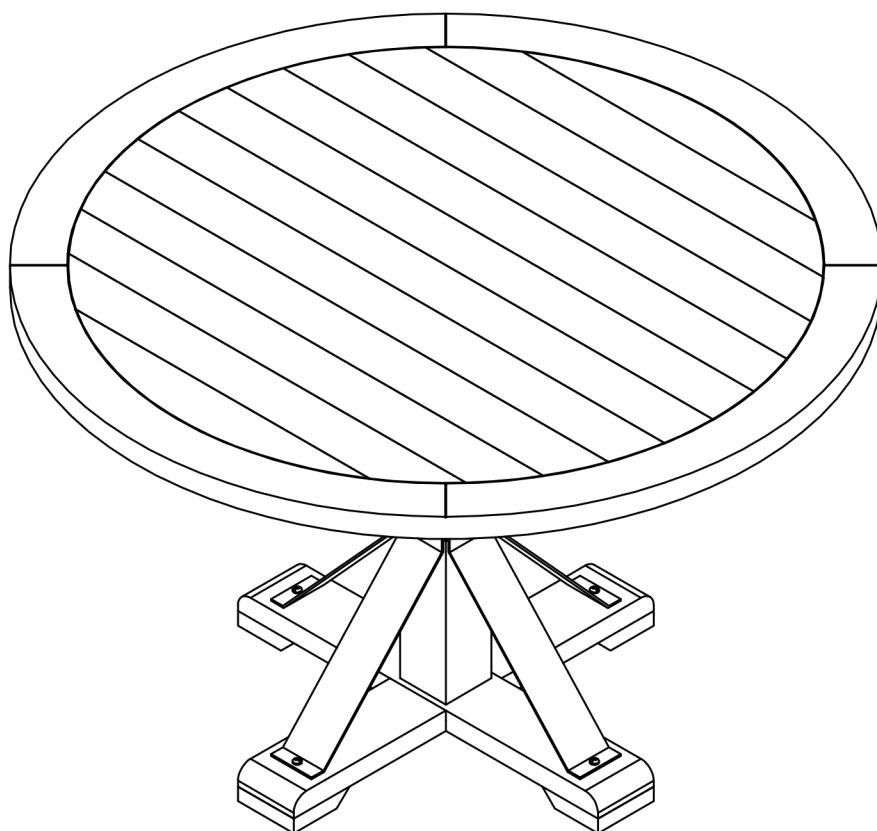
Allen Wrench

(Included)



Phillips  
Screwdriver

(Not Included)



2 - Persons  
Recommended

## ASSEMBLY RATING



EASY → DIFFICULT

The Assembly Rating is a 5-point system showing the level of effort needed to assemble a specific product.



## **CHECK BEFORE STARTING**

### **Are you missing anything?**

Double-check all parts, hardware and accessories listed on Page 6 are accounted for.

### **Check out our Quick Tips!**

We recommend reviewing the pre-assembly handouts. Even experts need a refresher now and then!

### **Should we send any replacements?**

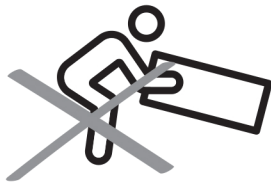
Are there any irregularities or flaws in the parts? We can send replacements!

### **Prep Time!**

Please review the assembly instructions and all diagrams prior to assembling. Arrange parts as recommended on Page 7 and group identical hardware together to make assembling easier.

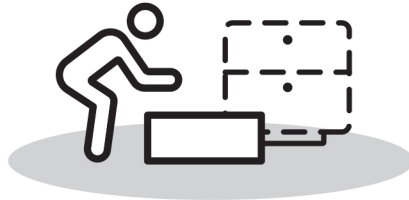
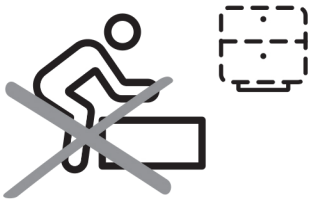
# PRE ASSEMBLY INTRODUCTION

We understand building ready-to-assemble furniture can be a challenging experience for some. To help avoid confusion, we have provided some helpful tips that may speed up the process.



## Teamwork

ALWAYS have at least two people to help with transporting and assembling the product to avoid potential injury and/or damage.



## Suitable Location

Assembling near the area of the intended location is highly recommended.



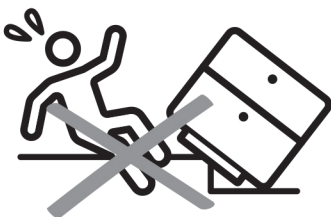
## Sufficient Space

Make sure you have enough space to move around during the assembly.



## Avoid Scratches

Use cardboard, blankets or a carpeted area while assembling furniture to prevent scratches.



## Flat Surface

Make sure the furniture rests on a flat and level surface with each leg evenly touching the floor.

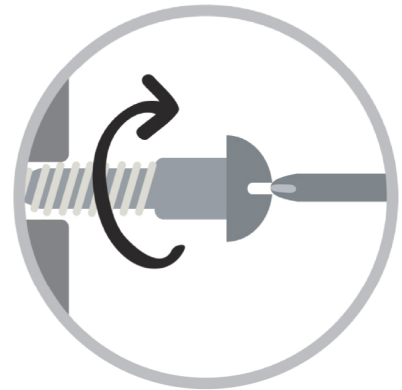
# ASSEMBLY AND CARE ADVICE



**FAILURE TO FOLLOW THE GUIDELINES BELOW MAY RESULT IN INJURY AND/OR PROPERTY DAMAGE.**



Position each part correctly and insert screws or bolts into their respective holes.



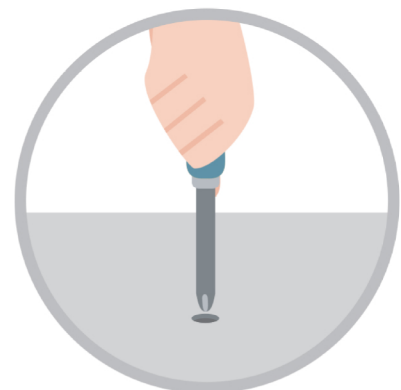
Turn clockwise to tighten and only tighten when step is completed or when instructed to do so.



Use the appropriate hand tools or power tools for assembly. Select steps, such as tightening screws and/or bolts, may require hand tools to avoid causing damage during assembly.



Save the instructions and store any supplied tools for later maintenance.



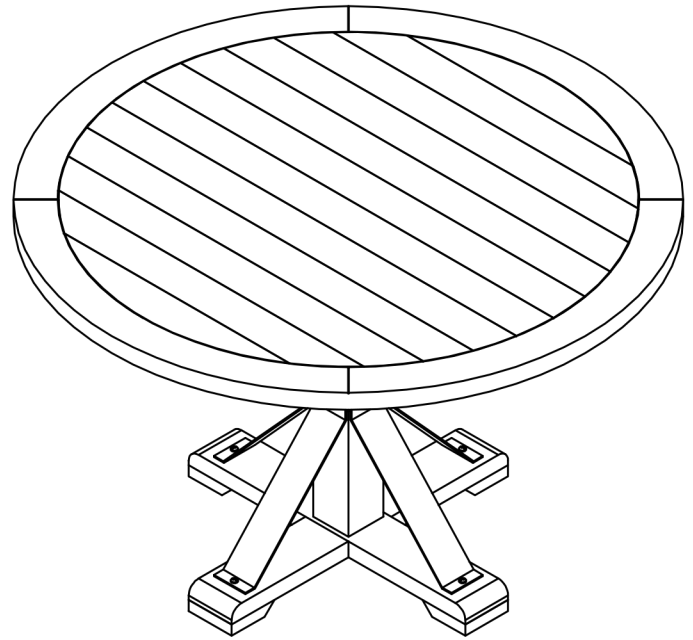
After two weeks, check and tighten any loose hardware and repeat again every six months thereafter.

**IT IS THE USER'S RESPONSIBILITY TO MAINTAIN THE FURNITURE. THE HARDWARE MAY LOOSEN OVER TIME AND MAY CAUSE THE FURNITURE TO BE WOBBLY AND UNABLE TO SUPPORT ITS INTENDED WEIGHT CAPACITY. THIS MAY LEAD TO COLLAPSE AND MAY CAUSE SERIOUS INJURY.**

# TABLE



- Please keep instructions for future reference.
- Check the quantity and irregularity of parts and hardware before you start.



## PARTS

#1 1pc

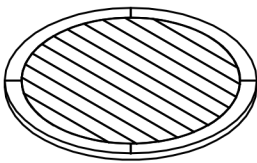


Table Top

#2 1pc

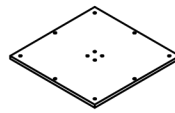


Table Top Support Panel

#3 1pc

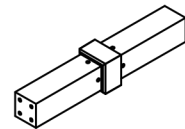
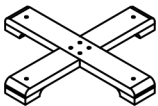


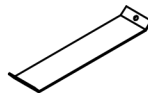
Table Leg

#4 1pc



Base

#5 8pcs



Metal Plate

## HARDWARE

#A 12pcs



Bolt Ø5/16" x 1-3/4"

#B 4pcs



Bolt Ø5/16" x 2-1/2"

#C 12pcs



Bolt Ø5/16" x 1"

#D 16pcs



Lock Washer Ø5/16" x 3/4"

#E 16pcs



Flat Washer Ø5/16"

#F 1pc



Allen Wrench Ø5mm

# ASSEMBLY INSTRUCTIONS

## 1

Part (#2) x1pc

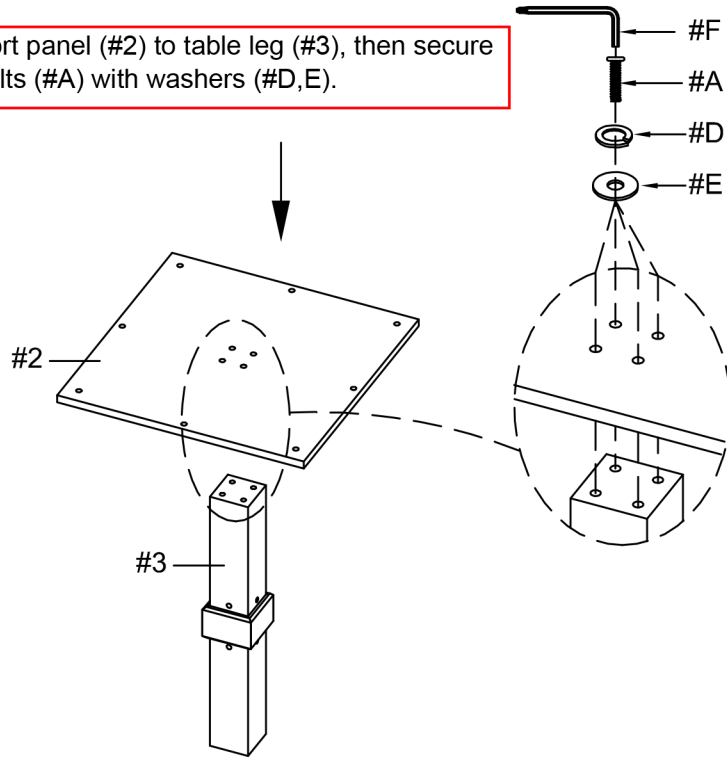
Part (#3) x1pc

Hardware (#A) x4pcs

Hardware (#D) x4pcs

Hardware (#E) x4pcs

Align support panel (#2) to table leg (#3), then secure by using bolts (#A) with washers (#D,E).



## 2

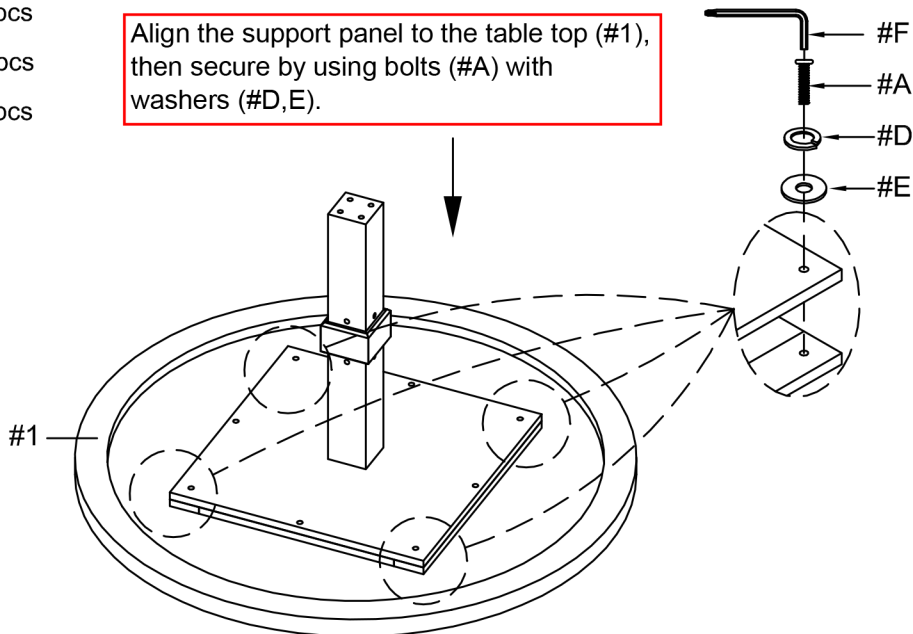
Part (#1) x1pc

Hardware (#A) x4pcs

Hardware (#D) x4pcs

Hardware (#E) x4pcs

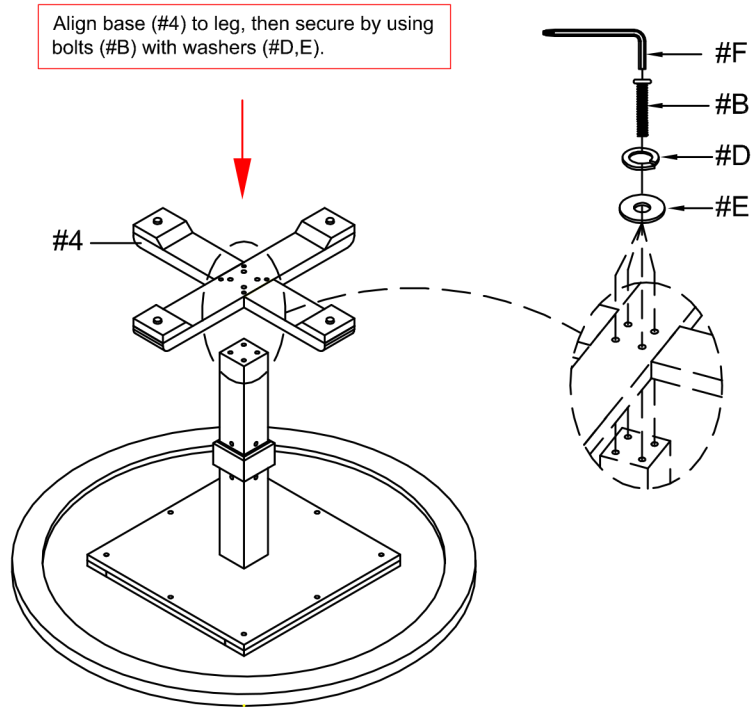
Align the support panel to the table top (#1), then secure by using bolts (#A) with washers (#D,E).



# ASSEMBLY INSTRUCTIONS

## 3

- Part #4 x1pc
- Hardware #B x4pcs
- Hardware #D x4pcs
- Hardware #E x4pcs



## 4

- Part #5 x8pcs
- Hardware #A x4pcs
- Hardware #C x12pcs
- Hardware #D x4pcs
- Hardware #E x4pcs

