

PRE ASSEMBLY INTRODUCTION

We understand building ready-to-assemble furniture can be a challenging experience for some. To help avoid confusion, we have provided some helpful tips that may speed up the process.



Teamwork

ALWAYS have at least two people to help with transporting and assembling the product to avoid potential injury and/or damage.



Suitable Location

Assembling near the area of the intended location is highly recommended.



Sufficient Space

Make sure you have enough space to move around during the assembly.



Avoid Scratches

Use cardboard, blankets or a carpeted area while assembling furniture to prevent scratches.



Flat Surface

Make sure the furniture rests on a flat and level surface with each leg evenly touching the floor.

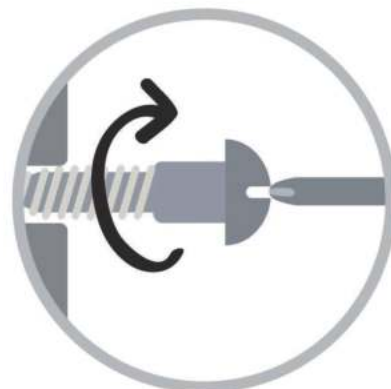
ASSEMBLY AND CARE ADVICE



FAILURE TO FOLLOW THE GUIDELINES BELOW MAY RESULT IN INJURY AND/OR PROPERTY DAMAGE.



Position each part correctly and insert screws or bolts into their respective holes.



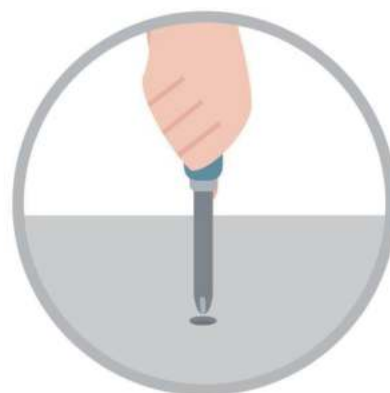
Turn clockwise to tighten and only tighten when step is completed or when instructed to do so.



Use the appropriate hand tools or power tools for assembly. Select steps, such as tightening screws and/or bolts, may require hand tools to avoid causing damage during assembly.



Save the instructions and store any supplied tools for later maintenance.



After two weeks, check and tighten any loose hardware and repeat again every six months thereafter.

IT IS THE USER'S RESPONSIBILITY TO MAINTAIN THE FURNITURE. THE HARDWARE MAY LOOSEN OVER TIME AND MAY CAUSE THE FURNITURE TO BE WOBBLY AND UNABLE TO SUPPORT ITS INTENDED WEIGHT CAPACITY. THIS MAY LEAD TO COLLAPSE AND MAY CAUSE SERIOUS INJURY.

HEIGHT ADJUSTABLE DESK

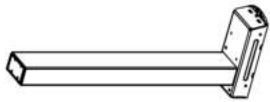
HC-7021



- Please keep instructions for future reference.
- Check the quantity and irregularity of parts and hardware before you start.



PARTS



A-Column×2



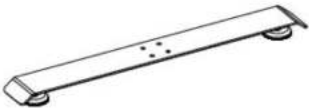
B-Long beam×1



C-Short beam×2



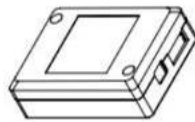
D-Strut ×2



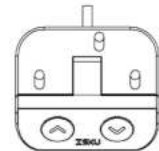
E-Foot×2



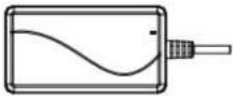
F-Connection board×4



G-Control box×1



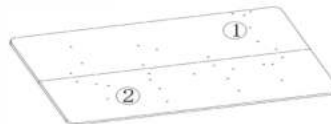
H-Handset×1



I-Adapter×1



J-Cable clip×6



K-Table board 1/2

PARTS



L-M4.8×19 screw×2



M-M6×15 screw×20



N-ST4×12 screw×3



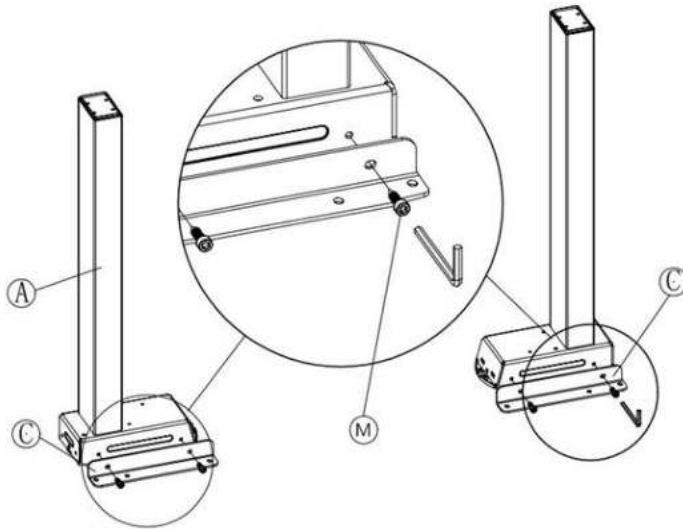
O-ST4.8×15 screw×25



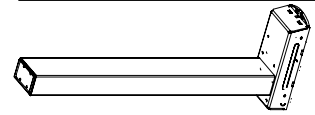
P-M5 Allen Key×1

ASSEMBLY INSTRUCTIONS

Step 1



Checklist



A- Column ×2



C- Short beam ×2



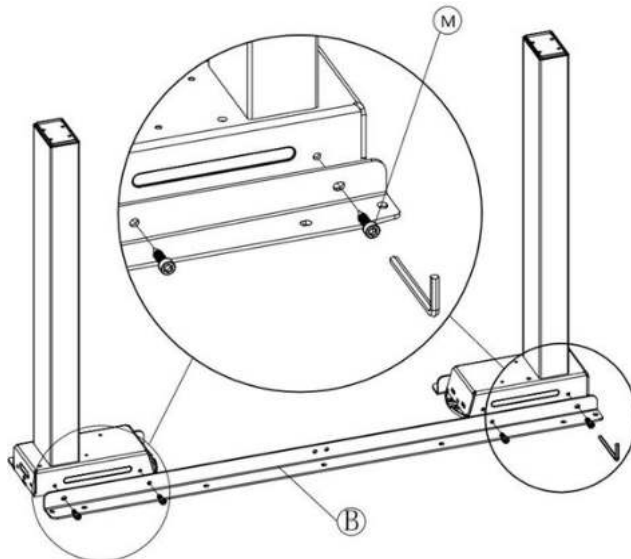
M- M6×15 Screw ×4



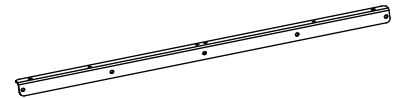
P-M5

Align short beams (#C) to the columns (#A), then secure by using screws (#M).

Step 2



Checklist



B- Long beam ×1



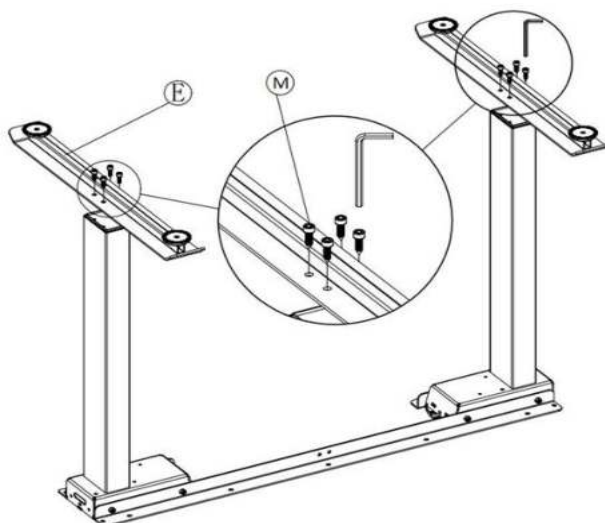
M- M6×15 Screw ×4



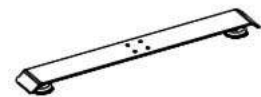
P-M5

Align long beam (#B) to the column (#A), then secure by using screws (#M).

Step 3



Checklist



E - Foot ×2



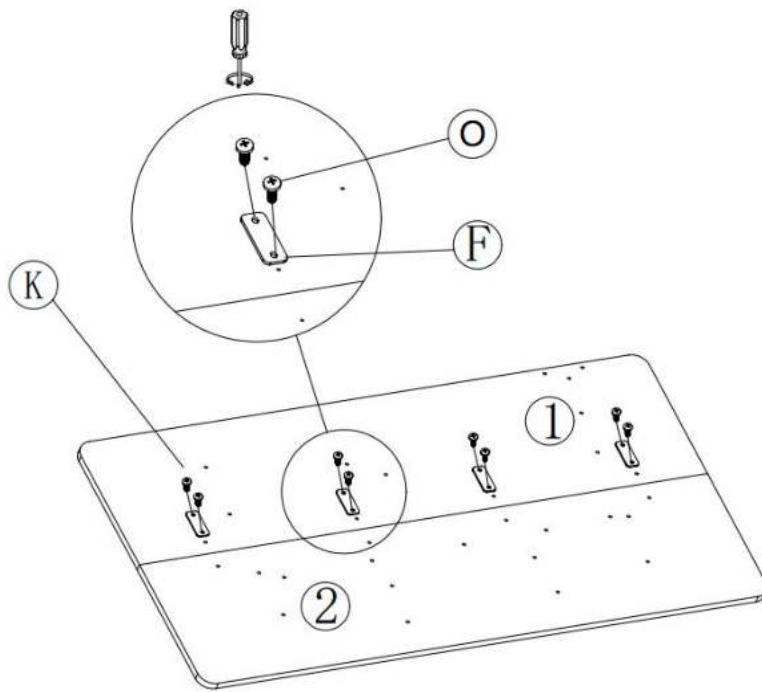
M- M6×15 Screw ×8



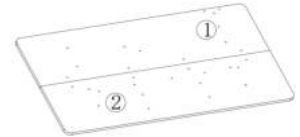
P-M5

Align feet (#E) to the column (#A), then secure by using screws (#M).

Step 4



Checklist



K- Table board 1/2



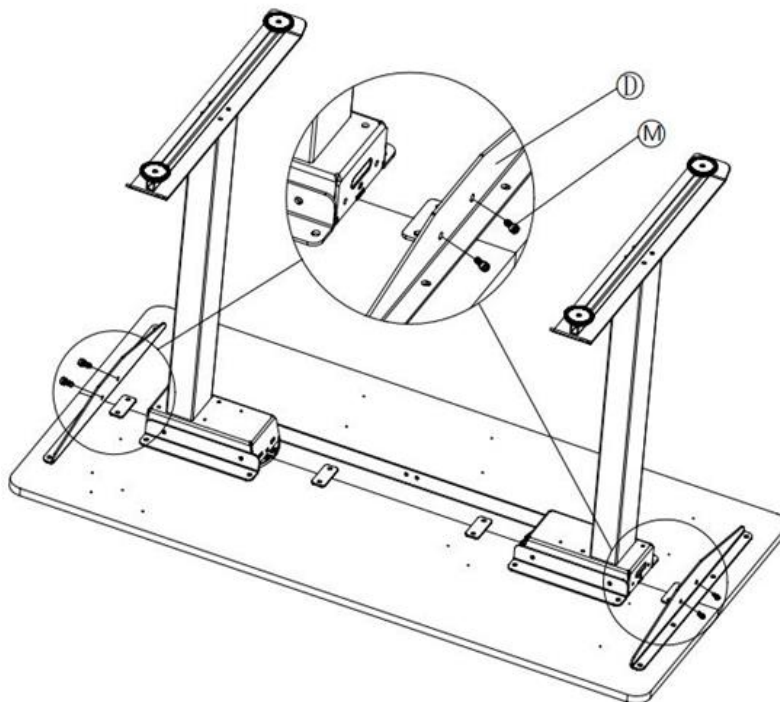
F - Connecting board x4



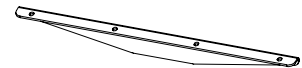
O - ST4.8×15 Screw x8

Align table boards (#K1/2) together, then align connecting boards (#F) to table boards (#K1/2). Secure by using screws (#O).

Step 5



Checklist



D - Strut x2



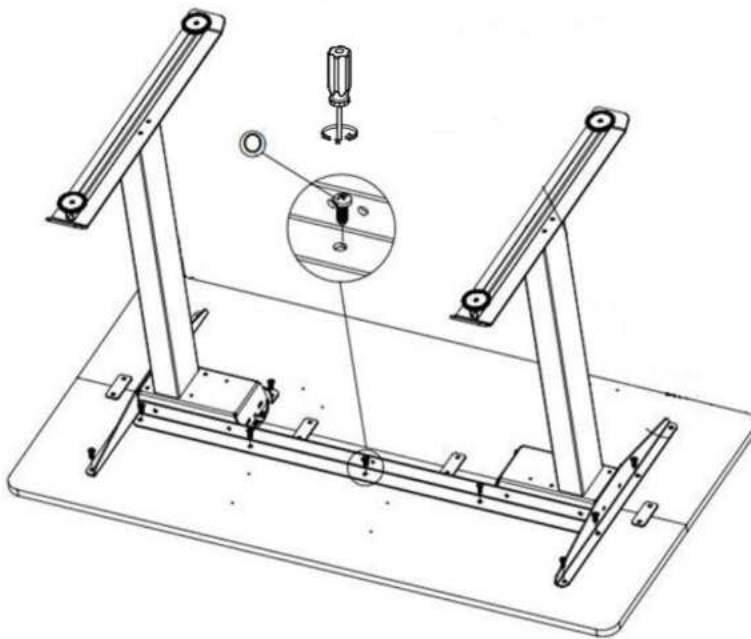
M - M6×15 Screw x4



P-M5

Align struts (#D) to the columns (#A), then secure by using screws (#M).

Step 6



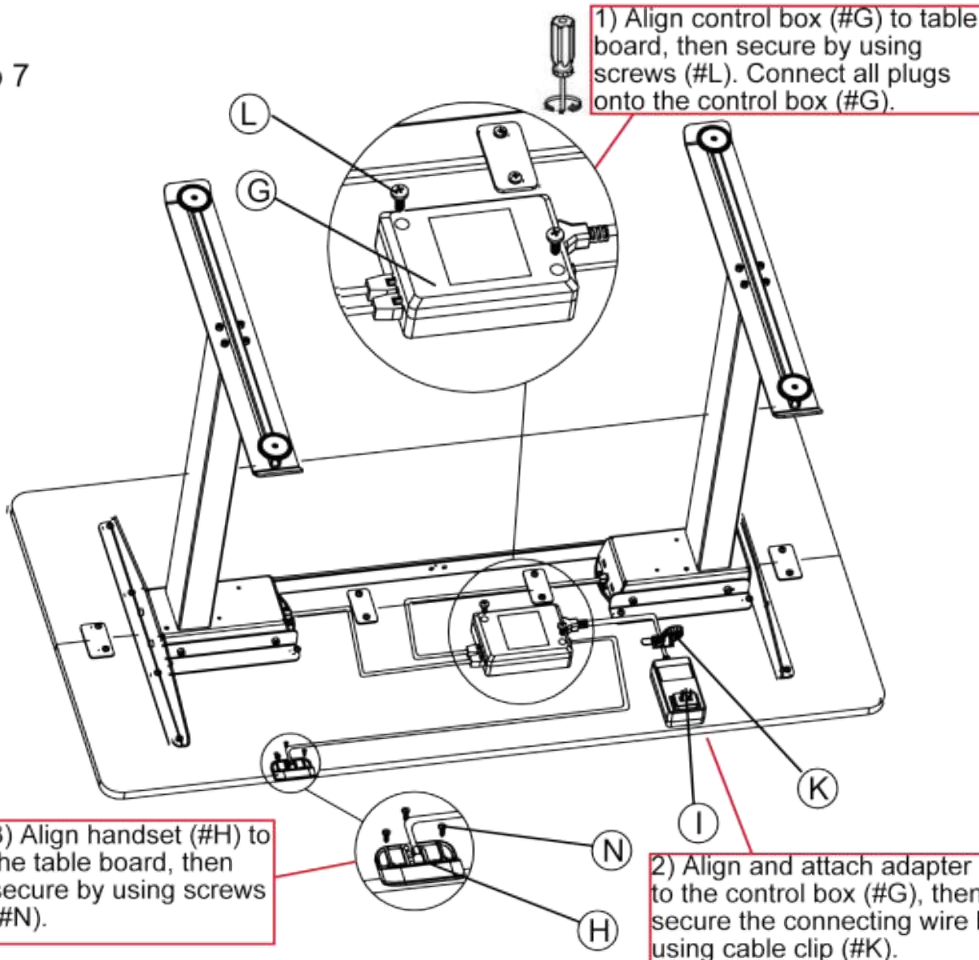
Secure struts (#D) and long beam (#B) to the table board (#K) by using screws (#O).

Checklist



O- ST4.8x15 Screw x17

Step 7

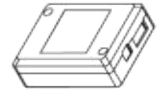


1) Align control box (#G) to table board, then secure by using screws (#L). Connect all plugs onto the control box (#G).

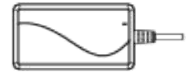
3) Align handset (#H) to the table board, then secure by using screws (#N).

2) Align and attach adapter (#I) to the control box (#G), then secure the connecting wire by using cable clip (#K).

Checklist



G-Control box x1



I-Adapter x1



H-Handset x1



L-ST4.8x19 Screw x2



N-ST4x12 Screw x3



K-Cable clip x6

ASSEMBLY COMPLETED



Please ensure the furniture rests on an even and flat surface. If the product wobbles or feels loose, double-check all bolts and screws are properly tightened and secured.



Keep this handy!

Please retain this instruction manual and any order-related information for future reference.



Lift, don't drag!

To avoid damage to product when transporting, please lift instead of dragging the product.