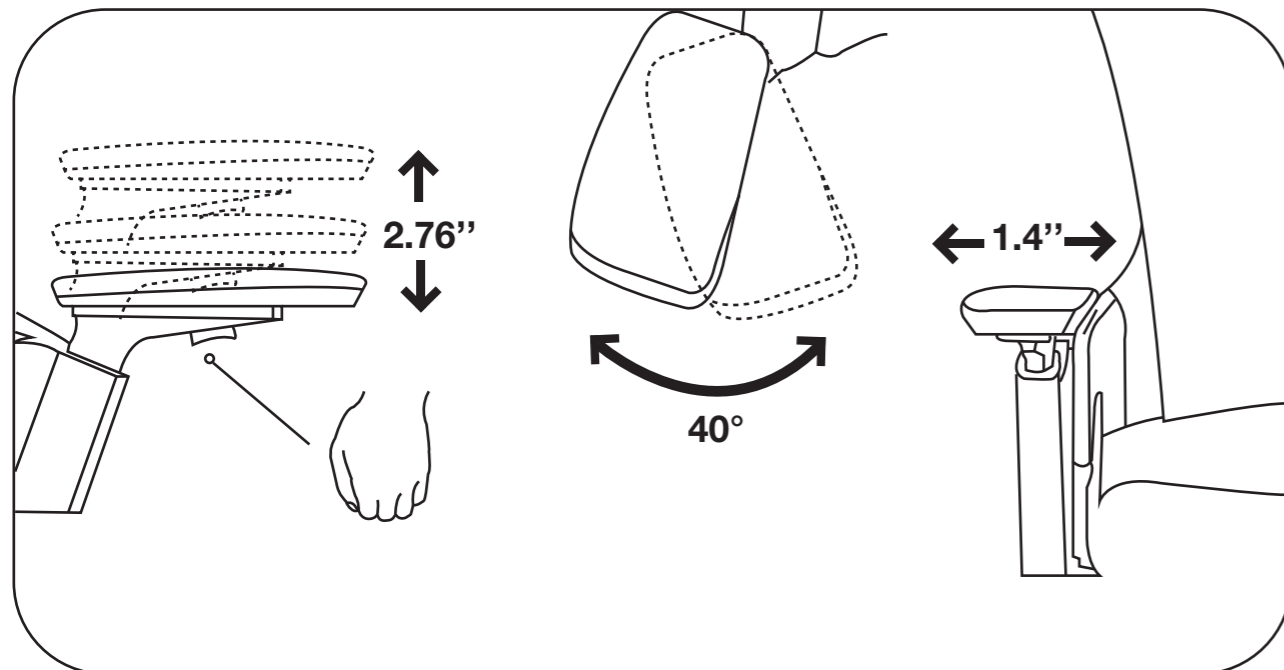
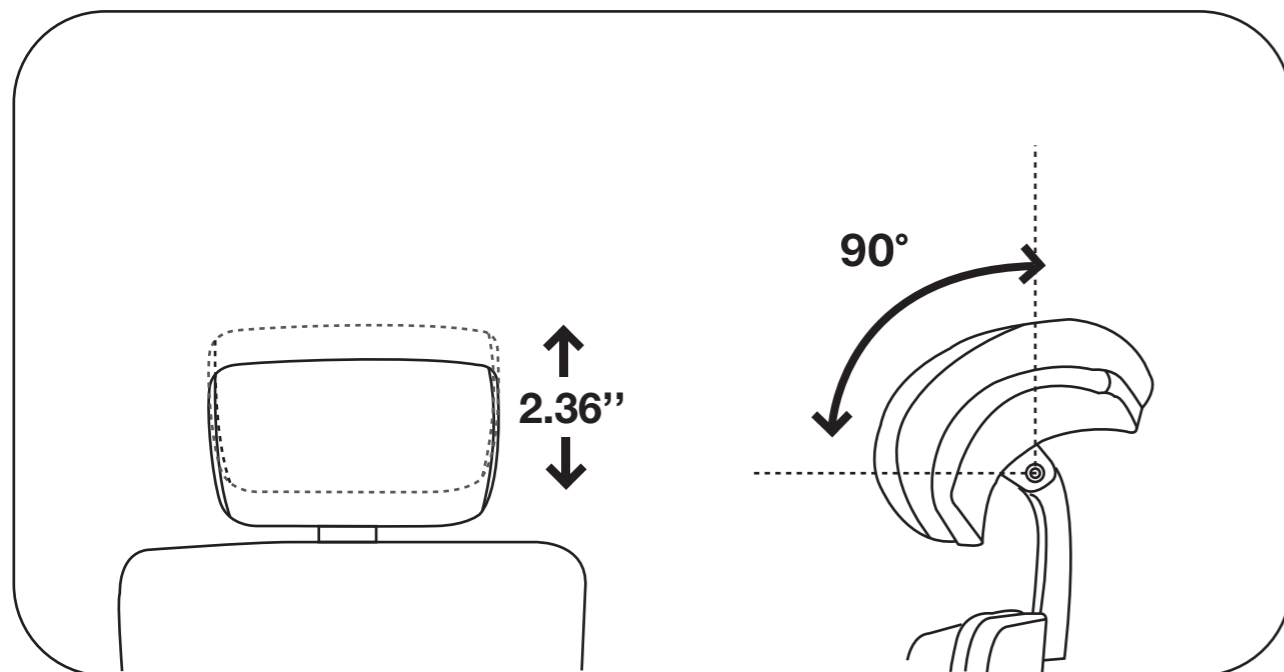


USER INSTRUCTIONS



Armrest

The armrest can be adjusted in 3 different dimensions.



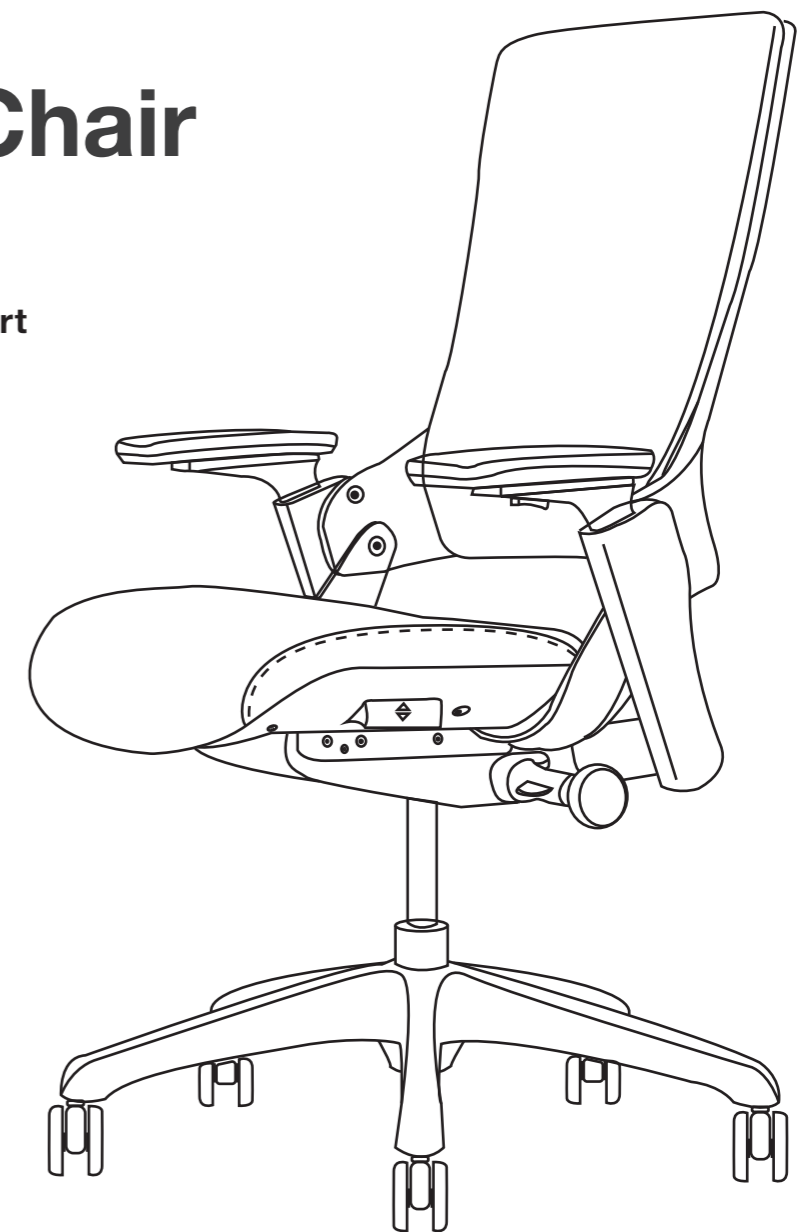
Additional Headrest (it needs to be purchased separately)

The height and tilt angle of the headrest can be adjusted.

MELLET

Executive Chair

- Adjustable lumbar support
- Adjustable seat depth
- Max 45° reclining tilt
- 3D soft cushion armrest
- Reinforced steel base
- 360° Swivel



YOUR CLATINA® LIMITED 5-YEAR WARRANTY

Moxygen Technology Inc. ("Moxygen") promises to repair or replace Clatina® brand seating products or components covered under this warranty that are found to be defective in original materials and workmanship within five (5) years from the date of original purchase. The warranty is valid for the original End User only and is non-transferable. End User means the final purchaser acquiring a product from furngo.com or any Clatina® Authorized Reseller for the purchaser's own use and not for resale, remarketing or distribution. If repair or replacement is not commercially practicable, a refund or credit for the affected product will be provided.

LIMITATIONS:

- Fabric and upholstery on chairs are warranted for two (2) years from date of purchase.
- Casters and glides are warranted for one (1) year from date of purchase.

EXCLUSIONS:

This warranty does not apply and no other warranty applies to:

- Normal wear and tear, which are to be expected over the course of ownership.
- Products that were not installed, used, or maintained in accordance with product instructions and warnings.
- Damage resulting from storage, alteration, unauthorized repair, infestation, misuse, abuse, accident, acts of God, natural causes, and/or exceeding listed capacities.
- Products used for rental purposes.
- Variations occurring in surface materials (e.g., colorfastness (except paint), matching grains, textures and colors across dissimilar substrates and lots), and natural aging found in materials.
- Transportation and labor costs associated with the warranty repairs or replacements.

RETURN POLICY:

Clatina® brand products or components can be returned for free within 90 days from the date of original purchase. To initiate a return of items, please contact our customer service representative via email to info@moxygeninc.com to get information about any additional policies that may apply.

NOTICE TO PURCHASER FOR HOME OR PERSONAL USE:

Federal law does not permit the exclusion of certain implied warranties for consumer products. Therefore, if you are purchasing this product for home or personal use, the exclusion of implied warranties notes does not apply to you. Some states do not allow the exclusion or limitation of incidental consequential damages, so the above limitation or exclusion may not apply to you. This warranty gives you specific legal rights, and you may also have other rights which vary from state to state.

This warranty applies only to product sold within the United States of America and the Commonwealth of Canada.

TO OBTAIN SERVICE UNDER THIS WARRANTY:

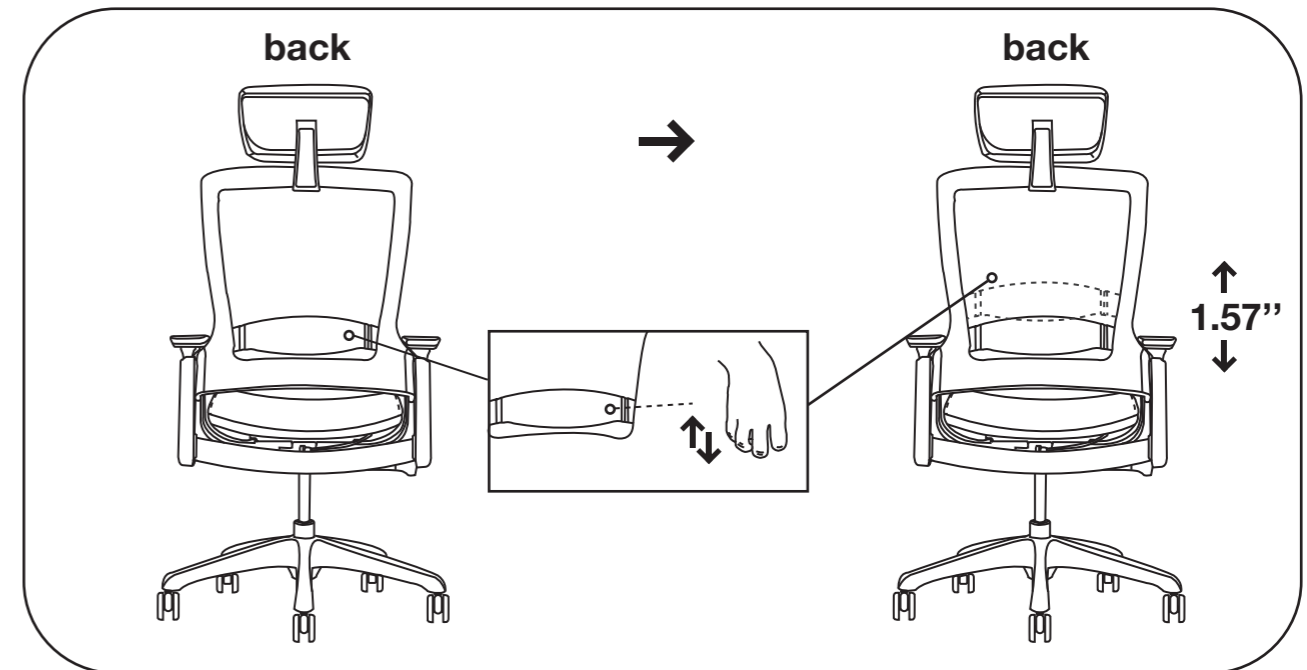
By following the procedures outlined below, you can be assured of the best level of service.

Please note: Consent of our customer service representative must be obtained before any warranty work is performed. To obtain consent, please take the following steps:

1. Contact our customer service representative via email to info@moxygeninc.com within 30 days of discovery of the defect. Be prepared to affirm that you are the original purchaser of the product and to provide the serial/order number(s) from the product in question.
2. Please allow our representative a reasonable amount of time for inspection and review.
3. If our representative affirms that the product in question is eligible under the conditions of the warranty as stated above, the customer service representative or another representative of the Company will determine whether to provide replacement parts, authorize repairs, or replace the product.

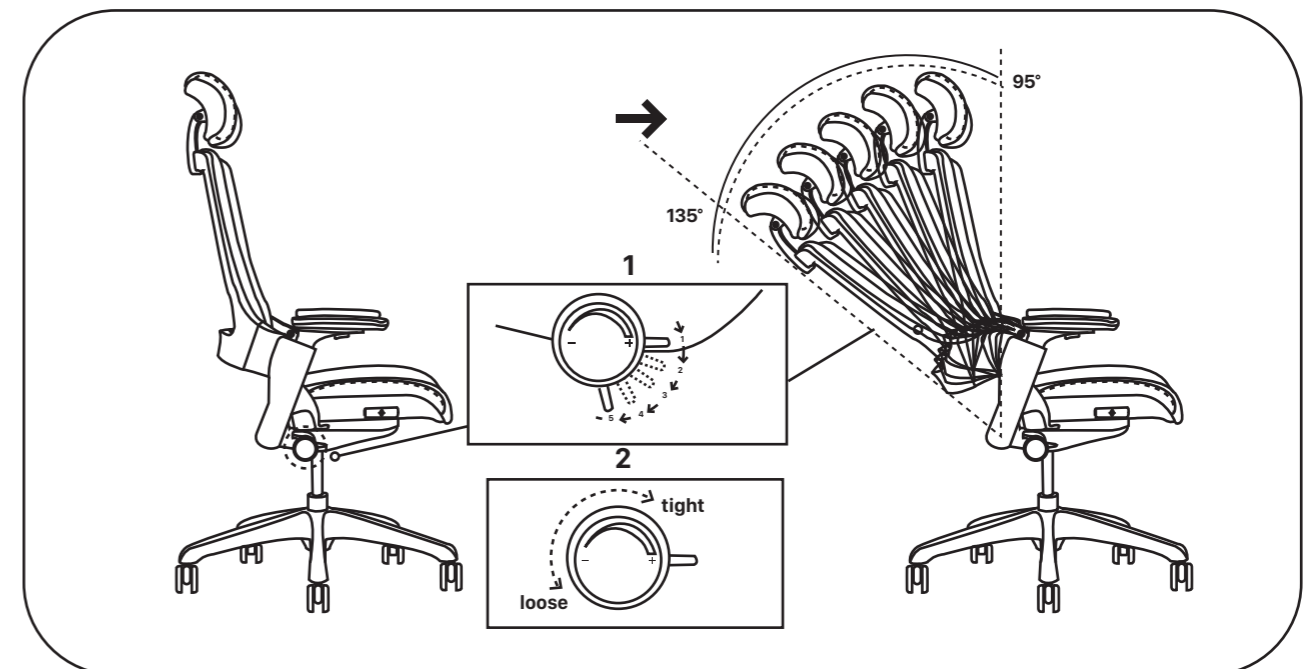
TO THE EXTENT ALLOWED BY LAW, MOXYGEN MAKES NO OTHER WARRANTY, EITHER EXPRESSED OR IMPLIED, INCLUDING ANY WARRANTY OF MERCHANTABILITY OR FITNESS FOR A PARTICULAR PURPOSE. MOXYGEN WILL NOT BE LIABLE FOR ANY CONSEQUENTIAL OR INCIDENTAL DAMAGES.

USER INSTRUCTIONS



Lumbar Support

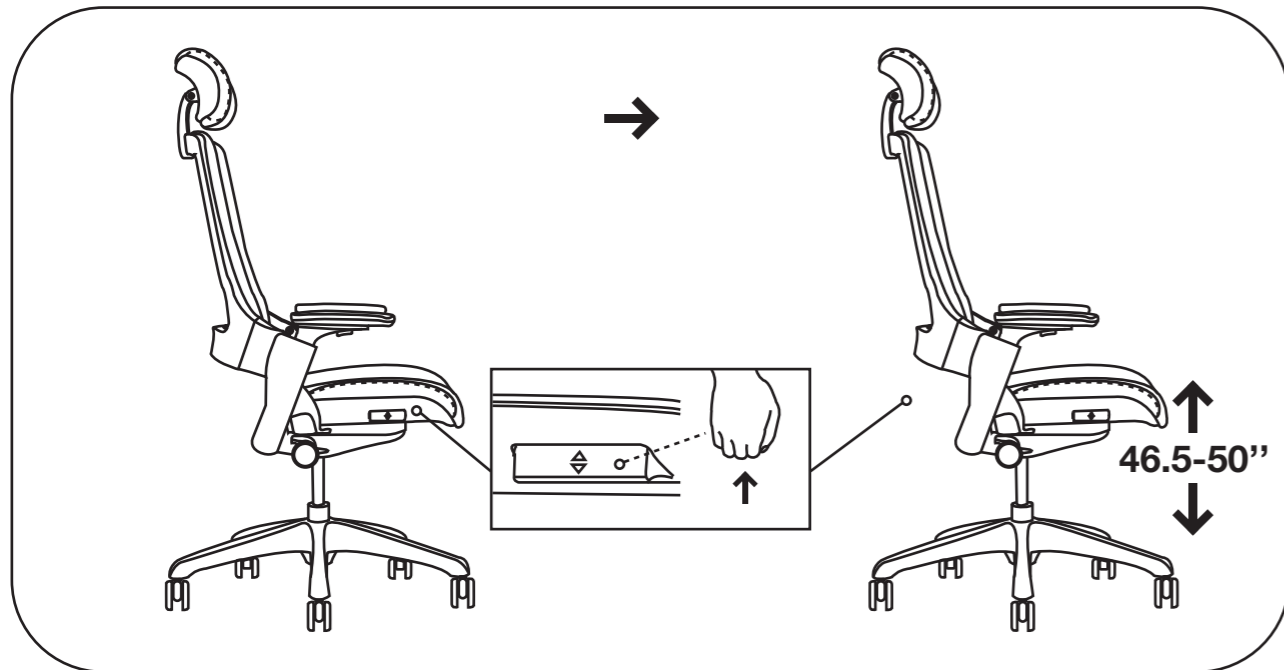
Move the lumbar support behind the backrest to adjust the lumbar support position.



Backrest

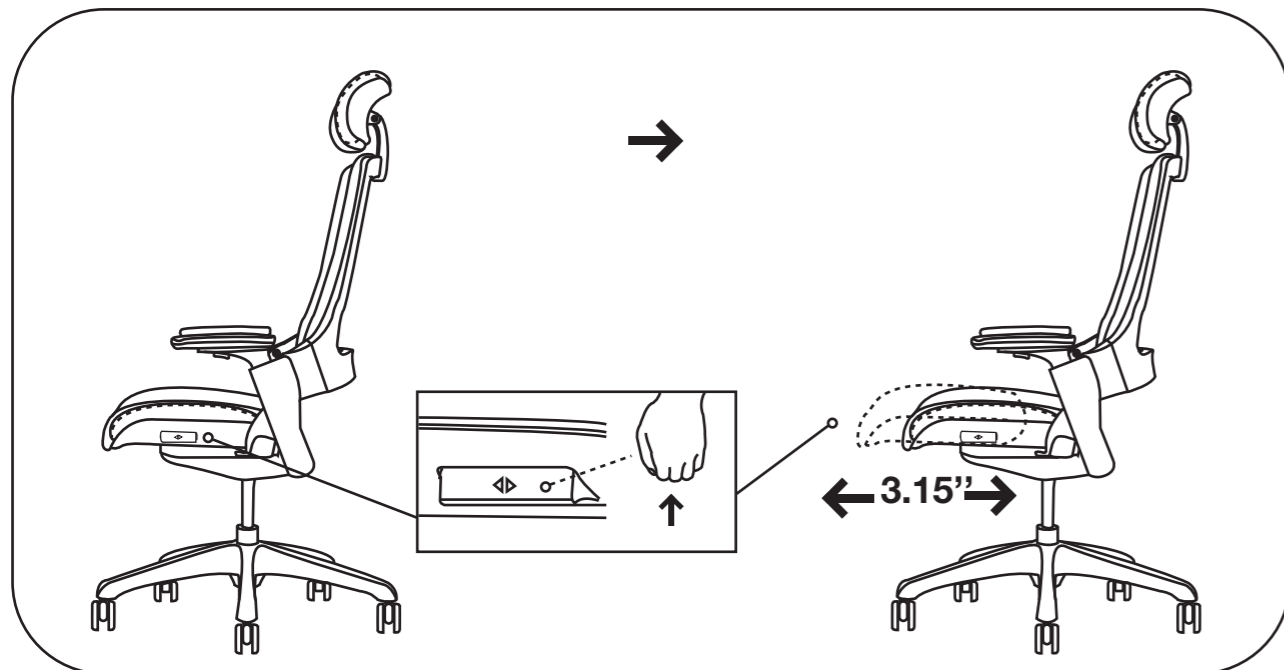
Adjust the tilt angle by flipping the paddle. (ref. to 1)
Adjust the tilt tension by rotating the knob. (ref. to 2)

USER INSTRUCTIONS



Seat Height

Pull up the right side button of the seat to adjust the seat height.



Seat Depth

Pull up the left side button of the seat to adjust the seat depth.

MELLET

Clatina's MELLET is not just an ordinary office chair, it is fully adjustable with ergonomic designed especially for people who work in long hours with high concentration. The patented Synchro Movement Technology increases sitting comfortability and safety. 247 is a universal chair that fits for everyone.

BRAND CONCEPT

More than half of the time in life is sitting, CLATINA wants you to be accompanied, supported and protected every moment you are awake.

BIFMA X5.1 CERTIFICATION

All Clatina's chairs obtain BIFMA X5.1 certification, specific highlights on:


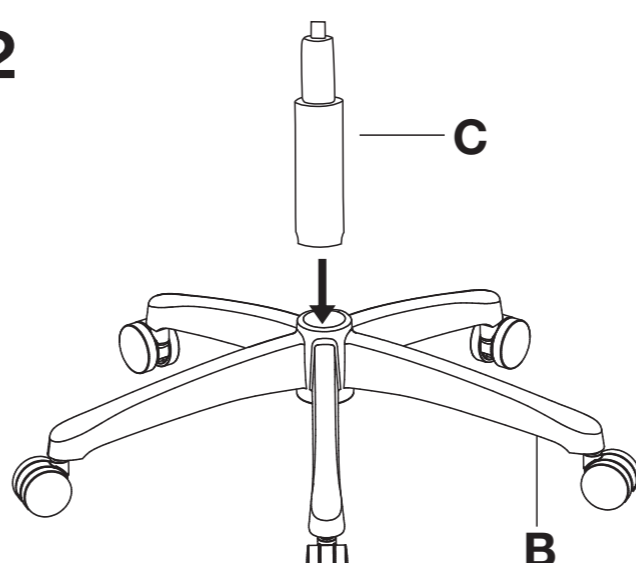
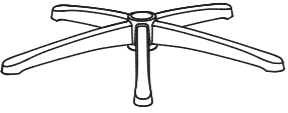
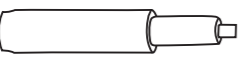


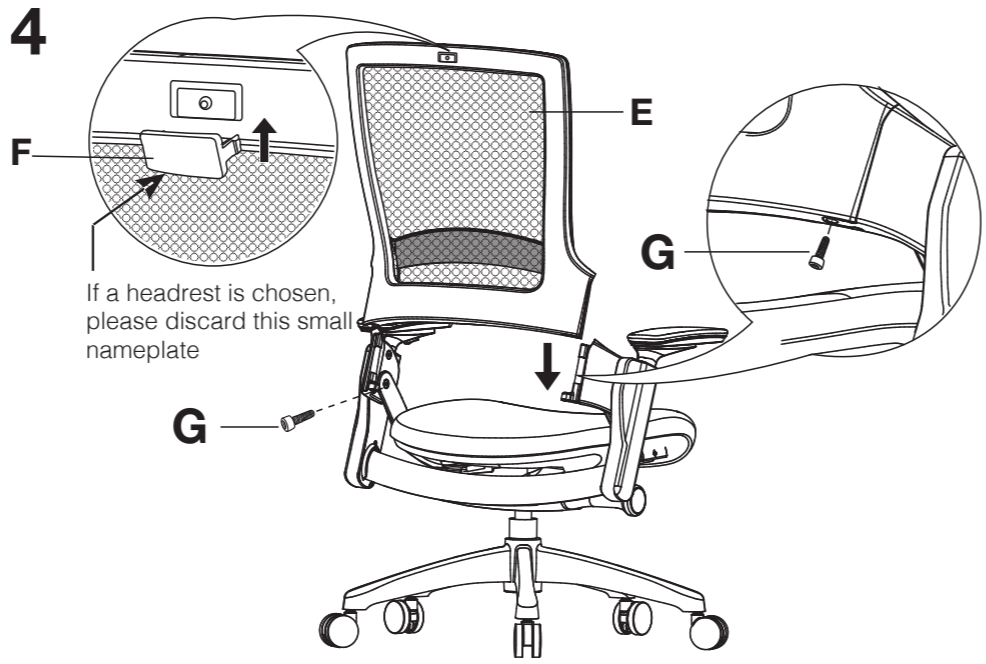

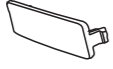


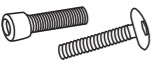
- Tilt Mechanism Test
Withstanding fatigue stresses and wear caused by repeated tilting of 300,000 cycles.
- Seating Durability Test
Withstanding a weighted bag set into the center of the seat pan for 100,000 cycles; and for 20,000 cycles each front corner.
- Backrest Durability Test
Withstanding a force applied to the seat back for 120,000 cycles.
- Caster Durability Test
Withstanding cycling a certain distance for 100,000 cycles including 2,000 cycles over obstacles.
- Armrest Durability Test
Withstanding forces applied to the armrests (each simultaneously) for 60,000 cycles.
- Swivel Test
Withstanding repeated swiveling of 360 degrees for 60,000 cycles each at highest / lowest positions.

! CAUTIONS & WARNINGS

! CAUTION: Read all instructions before assembly. Failure to assemble properly may result in damage or personal injury.

! CAUTION: The total maximum load capacity is 275 lbs. Do not overload.

ASSEMBLY INSTRUCTIONS

Part		Qty.		
A		5	1 	2 
B		1		
C		1		
D		1		
E		1	4  <p>If a headrest is chosen, please discard this small nameplate</p>	5 
F		1		
G	 M6 x 20mm	2		
L	 5#	1		
SPARE		2		