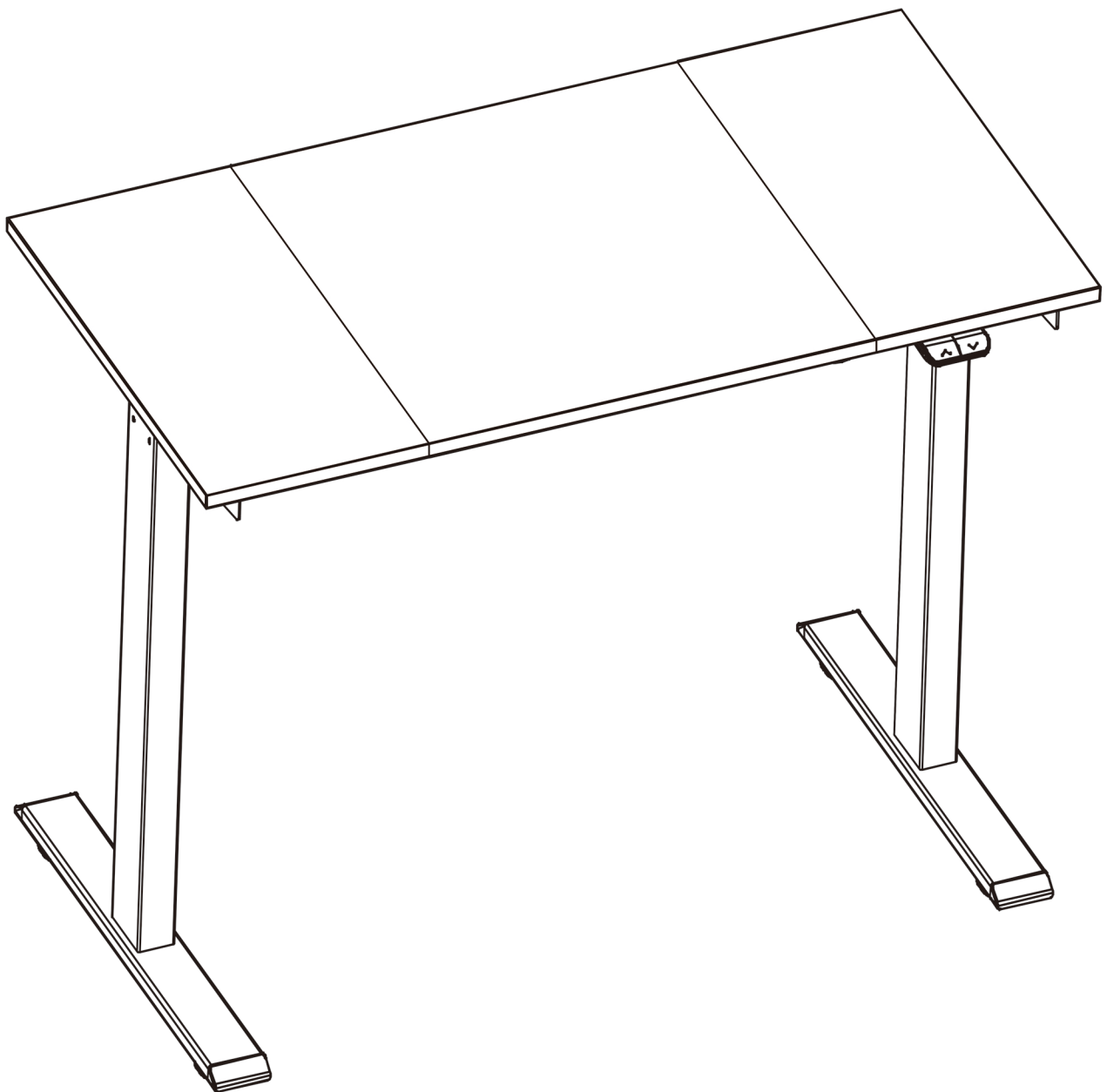


Electric Height Adjustable Desk User Manual



Warm prompt



Make sure no obstacles are in the desk's path.
Make sure the desktop is not touching any walls.
Make sure all cables are in appropriate length to accommodate the change in height.



WARNING

Pinch Point
Keep hands and fingers clear.



Keep children away from electric height-adjustable desks, control units and handsets. There is a risk of injury and electric shock.



Keep all electrical components away from liquids.



Do not sit or stand on the desk frame.
Do not crawl or lie under the desk frame.



Do not place any objects taller than 20" underneath the desk.



Do not open any of the components - the Legs, Control Box, or Switch.
There is a danger of electric shock.



This product is designed with a duty cycle of 10%
(2 min. on, 18 min. off).



In the event of a power outage or if the power cord is unplugged,
a manual reset may be necessary - see USE section.



USE / LIABILITY

This height adjustable desk has electric motors and is designed for use in dry work areas only.

The desk height is adjustable so that it can be positioned at the most ergonomically suitable height.

Any other use is at user's risk.

Under no circumstances does the manufacturer accept warranty claims or liability claims for damages caused from improper use or handling of the desk frame.

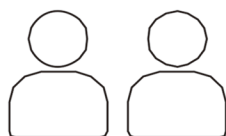
IMPORTANT:

Please read this manual carefully.
If this desk is sold, please provide this manual to the buyer.

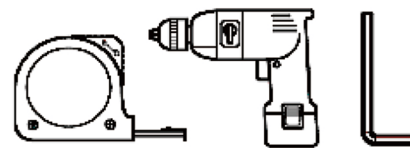
list of spare parts

5 min

Installation time



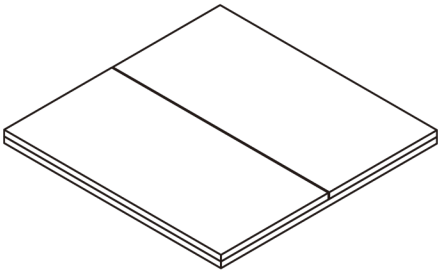
Installation
personnel



Installation tools
(self-provided)

1	Worktop	1
2	ST4.2*10 Cross Groove Screw	2
3	Side Bracket	2
4	Lifting column table frame	1
5	Foot	2
6	Power Adapter Holder	1
7	Power Adapter	1
8	ST4*16 Cross Groove Screw	2
9	M6*1*20 Machine Screw	4
10	M10*1.5*35 Machine Screw	4
11	Handset	1
12	Power Cord	1
13	Cable Clip	5
14	M4 Allen Wrench	1
15	M6 Allen Wrench	1
16	ST5*0.8*16 Large Wood Screw	8

list of spare parts



①

Worktop (1pc)



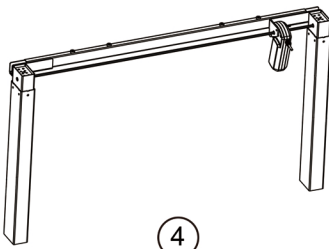
②

ST4.2*10 Cross Groove Screw (2pcs)



③

Side Bracket (2pcs)



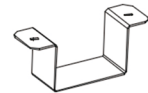
④

Lifting column table frame (1pc)



⑤

Foot (2pcs)



⑥

Power Adapter Holder (1pc)



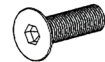
⑦

Power Adapter (1pc)



⑧

ST4*16 Cross Groove Screw (2pcs)



⑨

M6*1*20 Machine Screw (4pcs)



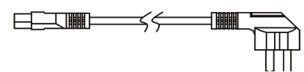
⑩

M10*1.5*35 Machine Screw (4pcs)



⑪

Handset (1pc)



⑫

Power Cord (1pc)



⑬

Cable Clip (5pcs)



⑭

M4 Allen Wrench (1pc)



⑮

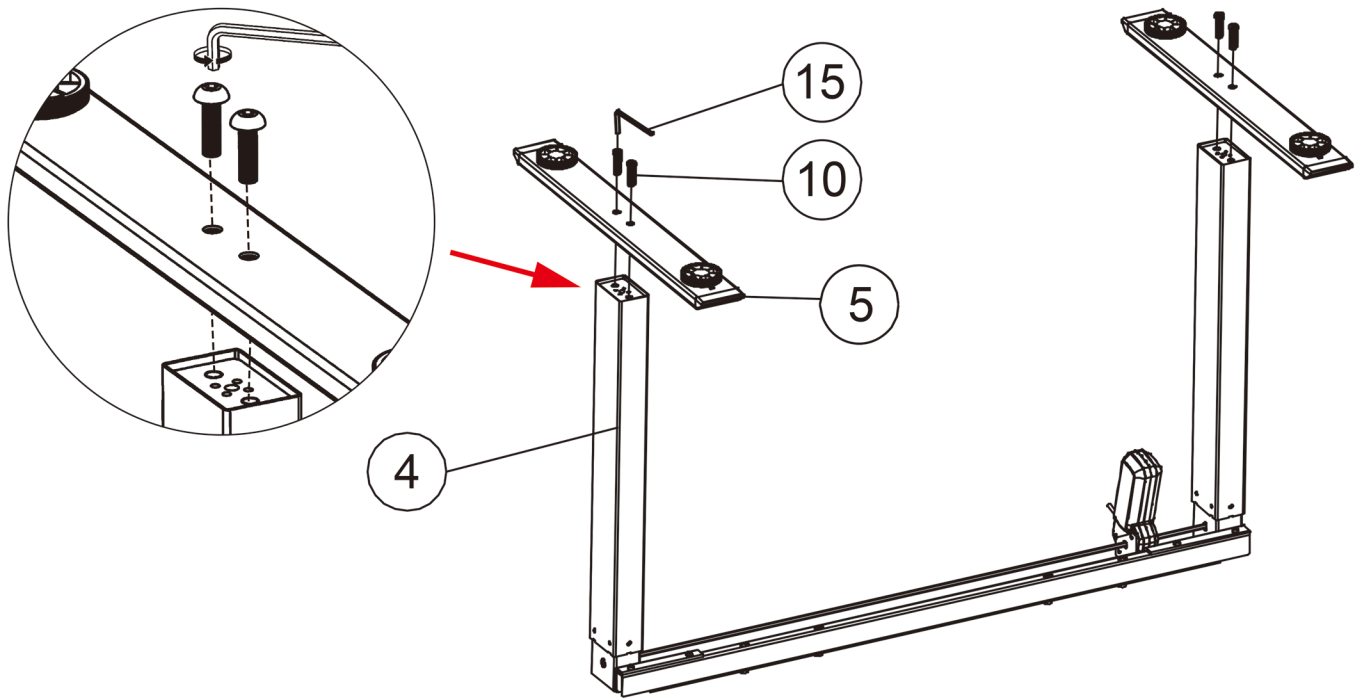
M6 Allen Wrench (1pc)



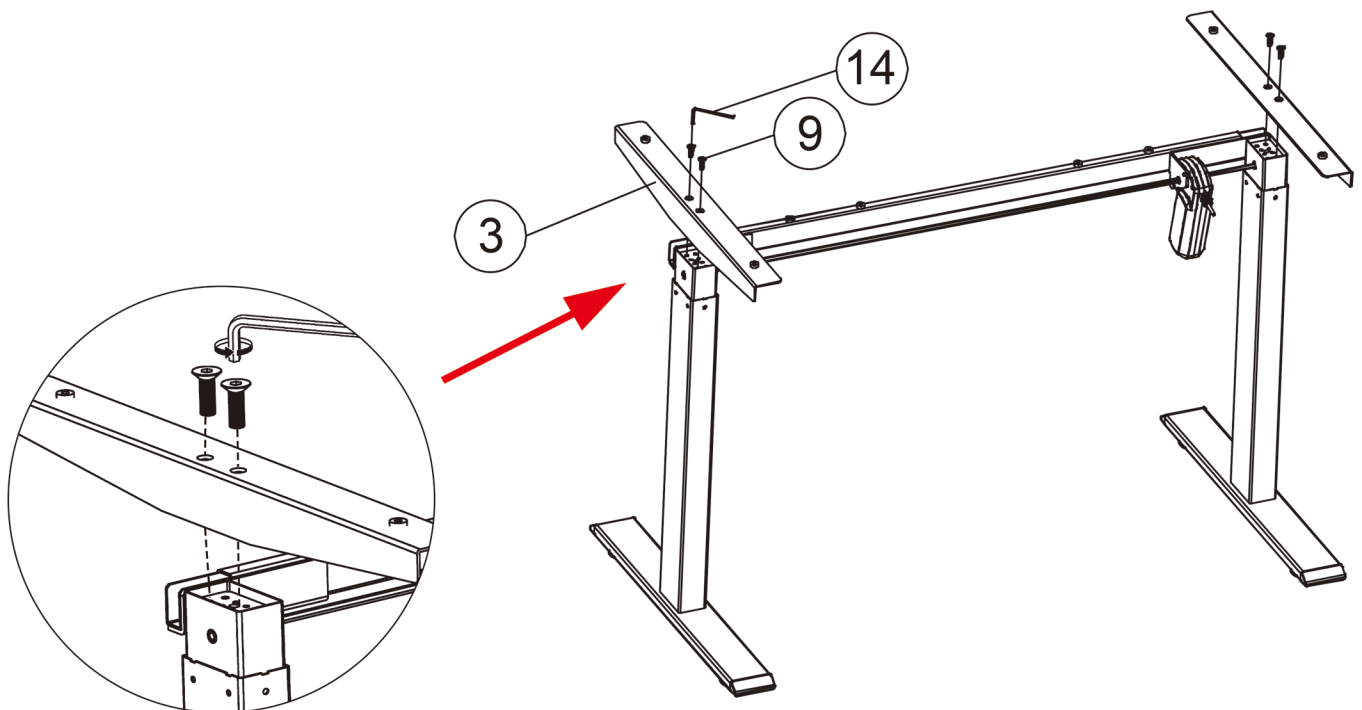
⑯

ST5*0.8*16 Large Wood Screw (8pcs)

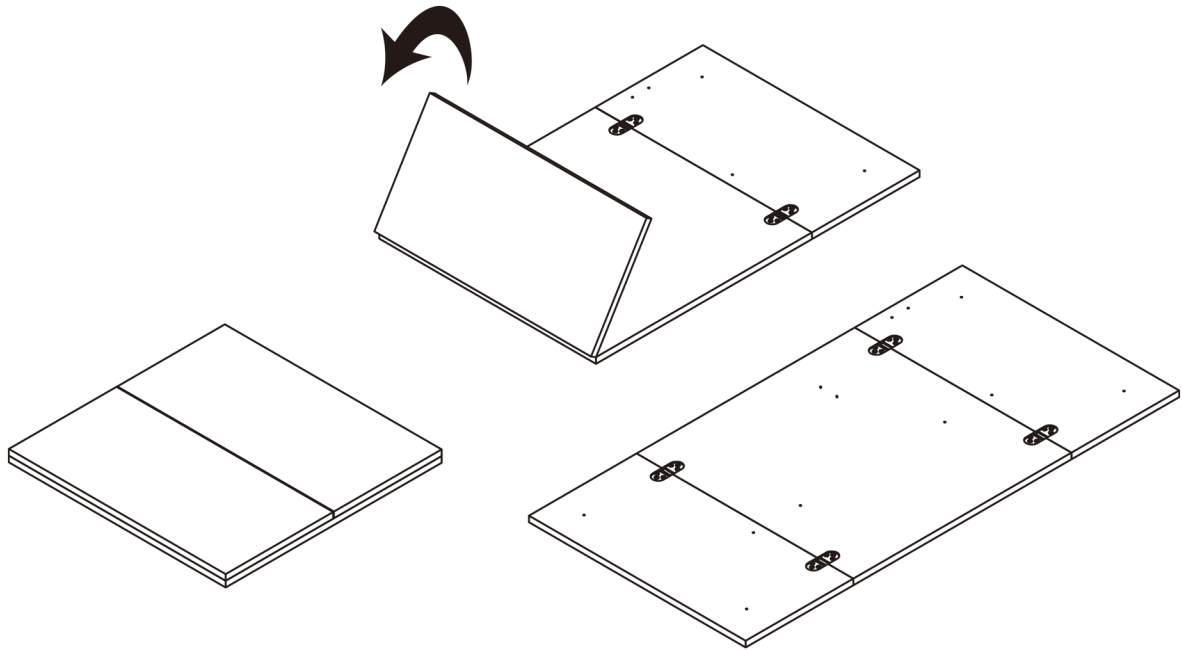
ASSEMBLY



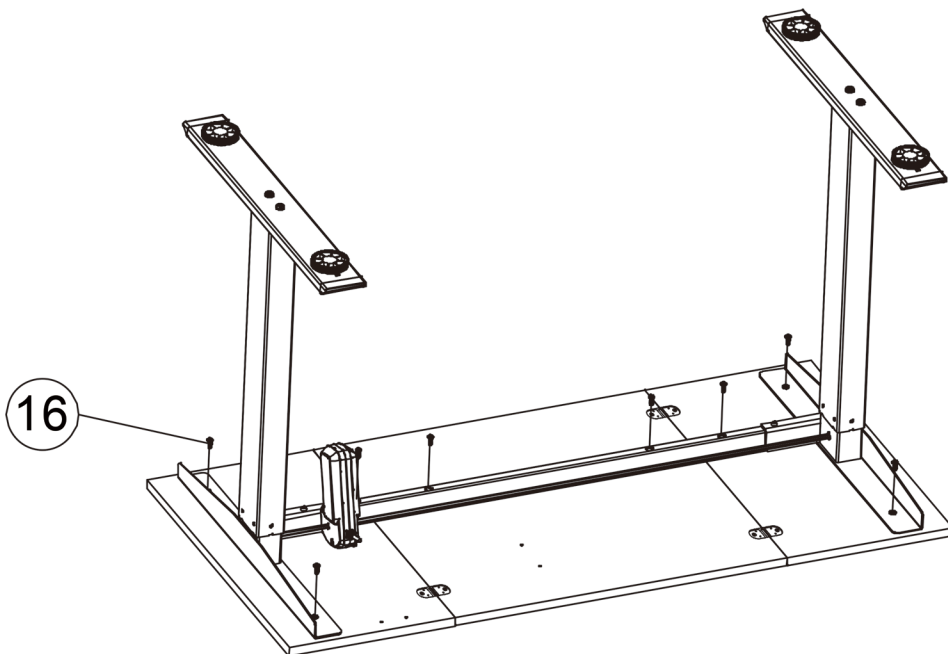
STEP 1: Use an (15) M6 Allen Wrench to lock (5) Foot and (4) Lifting column table frame from the bottom with two (10) M10*1.5*35 Machine Screw (four screws in total).



STEP 2: Slide (3) Side Bracket into the frame. Insert two (9) M6*1*20 Machine Screw through the two holes in the top of (3) Side Bracket going into the inserted column. Using the supplied (14) M4 Allen Wrench, rotate each screw just a few turns. After both M6*20 machine screws are inserted, tighten both screws.

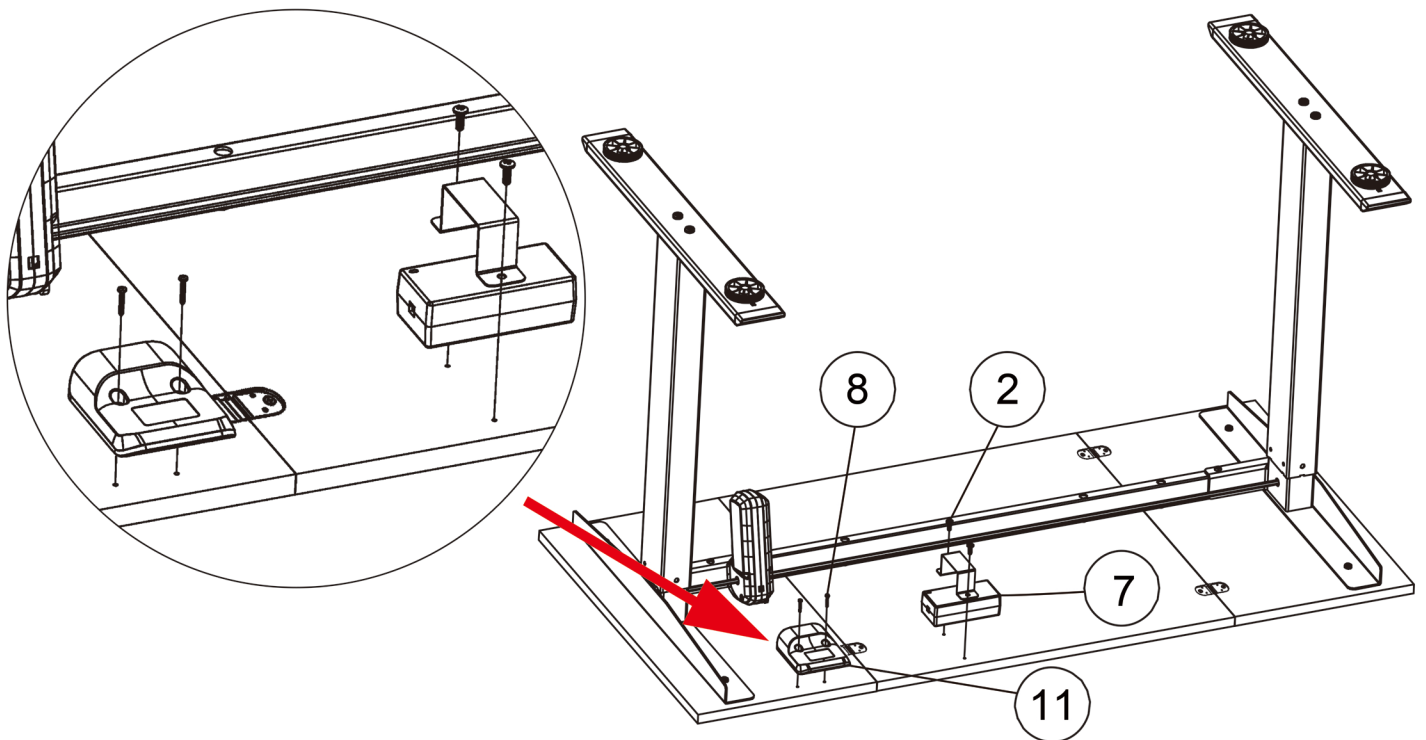


STEP 3: Place the worktop on the floor horizontally as shown in the picture. Unfold the worktop with the perforated side facing up as shown in the picture.

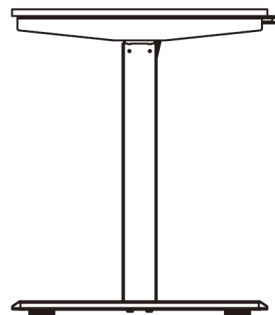
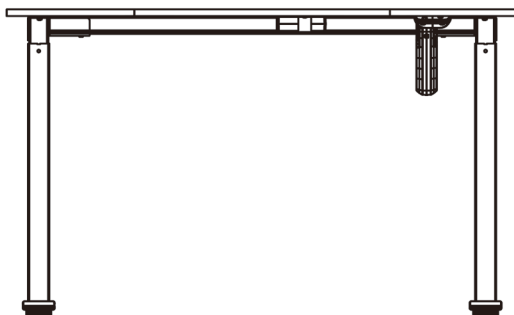
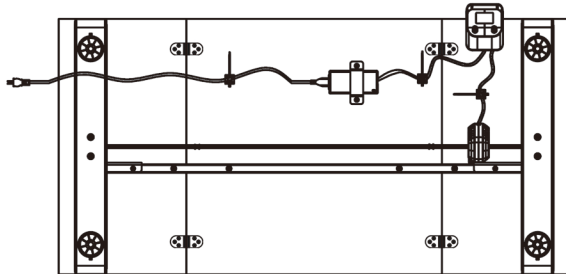


STEP 4: Place the worktop horizontally on the floor and the frame upside down on the table. Adjust the position of the frame so that the side bracket and the frame mounting hole correspond to the table plate primer hole.

Use a cross screwdriver to drive eight (16) ST5*0.8*16 Large Wood Screw into the corresponding holes to lock the frame and worktop.



STEP 5: Fix (7) Power Adapter with two (2) ST4.2*10 Cross Groove Screw .Fix (11) Handset with two (8) ST4*16 Cross Groove Screw .



STEP 6: After the table is installed, connect the power supply, handset and motor. Place the table forward on the ground to ensure that the table is flush and the height of the tables on both sides of the column is the same from the ground.

The line can be fixed with a (13) Cable Clip.

Reset according to the instructions of the control box, and carry out lifting and other operations after reset.

ASSEMBLY

If the handset displays red light, it means the motor is not working. Please keep pressing the down key until the desk is moving down and the light will change to blue. Keep holding the down key until the legs reach to the lowest height and the light will change to green.

Then your desk is all set.