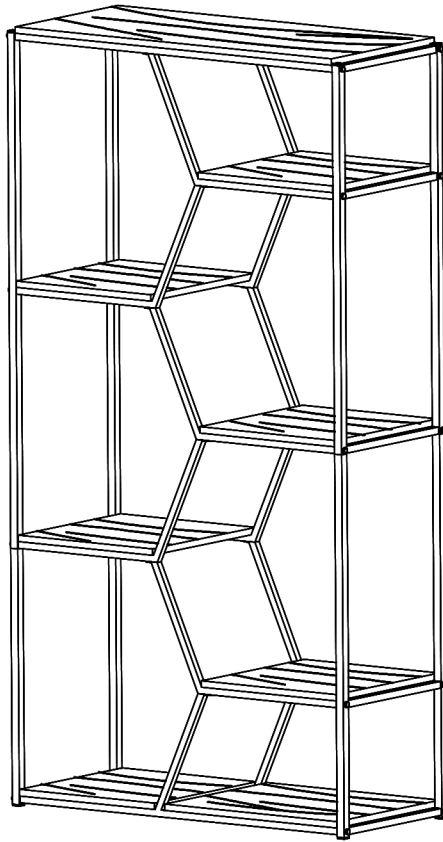


# Assembly Instructions



## ASSEMBLY RATING

The Assembly Rating is a 5-point system that shows the degree of effort needed in assembling a specific product (with 1 being easy and 5 being difficult). For some products, two persons are recommended.

EASY  DIFFICULT

## Tools Required For Assembly:

Allen Wrench



(Included)

Phillips Screwdriver



(Not Included)

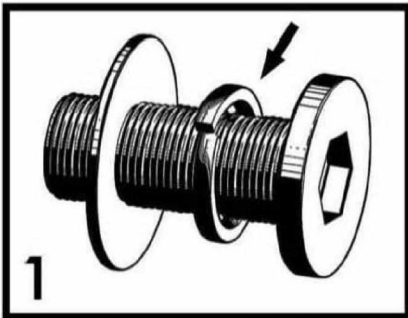


2 PERSONS RECOMMENDED

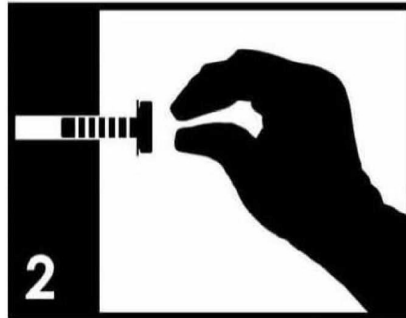
# ASSEMBLY & CARE ADVICE

FOR YOUR FURNITURE TO LAST, CORRECT ASSEMBLY AND PROPER MAINTENANCE ARE NECESSARY. PLEASE FOLLOW THE INFORMATION PROVIDED BELOW TO FULLY ENJOY YOUR FURNITURE.

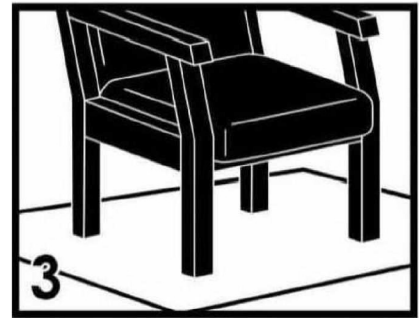
## BASIC ASSEMBLY TECHNIQUES



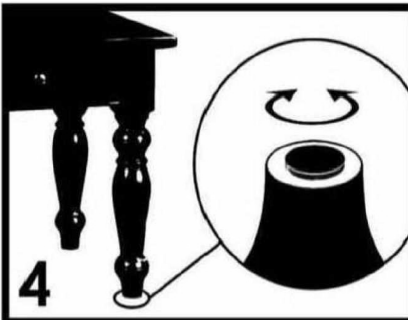
When lock or spring washer is used in an assembly, please make sure the lock or spring washer is placed between the larger flat washer and the head of the screw or bolt.



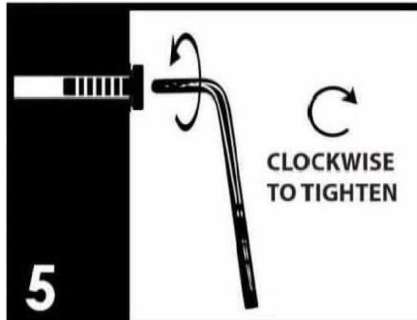
Position each part correctly and insert screws or bolts into their respective holes by hand tighten or using the proper hand tool. Only tighten when step is completed or when instructed to do so.



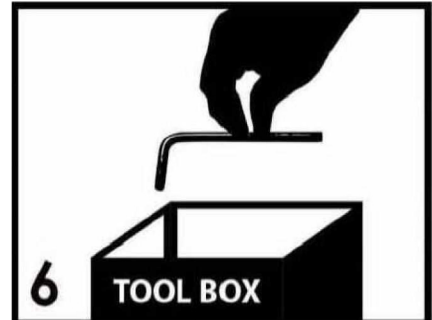
Use cardboard or carpet area when assembling furniture to prevent scratches. Make sure the furniture rests on a flat and level surface with each leg evenly touching the floor. No dragging of products/parts.



Some furniture comes with height adjustment knobs underneath each leg. To lower or to raise each leg, you need to turn clockwise or counterclockwise, respectively.



Make sure all parts are properly aligned, then use the appropriate hand tool to completely tighten the bolts or screws. Do not use power tools and do not overtighten.

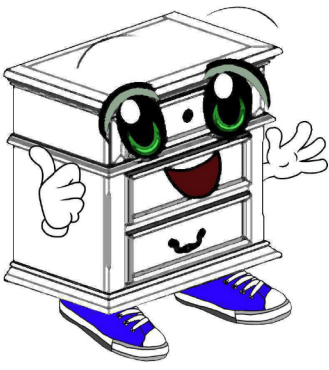


Save the instructions and store the Allen wrench or any supplied tool for later maintenance. After two weeks, check and tighten any loose hardware and repeat again every six months thereafter.

IT IS THE USER'S RESPONSIBILITY TO MAINTAIN THE FURNITURE. THE HARDWARE MAY LOOSEN OVER TIME AND MAY CAUSE THE FURNITURE TO BE WOBBLY AND UNABLE TO SUPPORT ITS INTENDED WEIGHT CAPACITY. THIS MAY LEAD TO COLLAPSE AND MAY CAUSE SERIOUS INJURY.



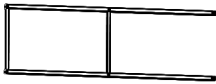
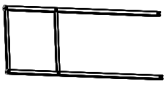

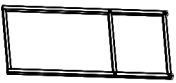

**FAILURE TO FOLLOW THE GUIDELINES ABOVE MAY RESULT IN INJURY AND/OR PROPERTY DAMAGE.**


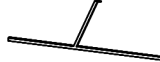





Before you begin, please read Page 2 of "Assembly and Care Advice".

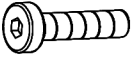
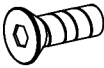


And remember, do not tighten until each step is completed or instructed.


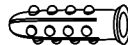
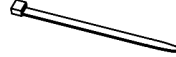

### Parts List

- 
#1 x 1pc  
Left Top Side Panel
- 
#2 x 1pc  
Right Top Side Panel
- 
#3 x 1pc  
Left Bottom Side Panel
- 
#4 x 1pc  
Right Bottom Side Panel
- 
#5 x 2pcs  
Top Stretcher

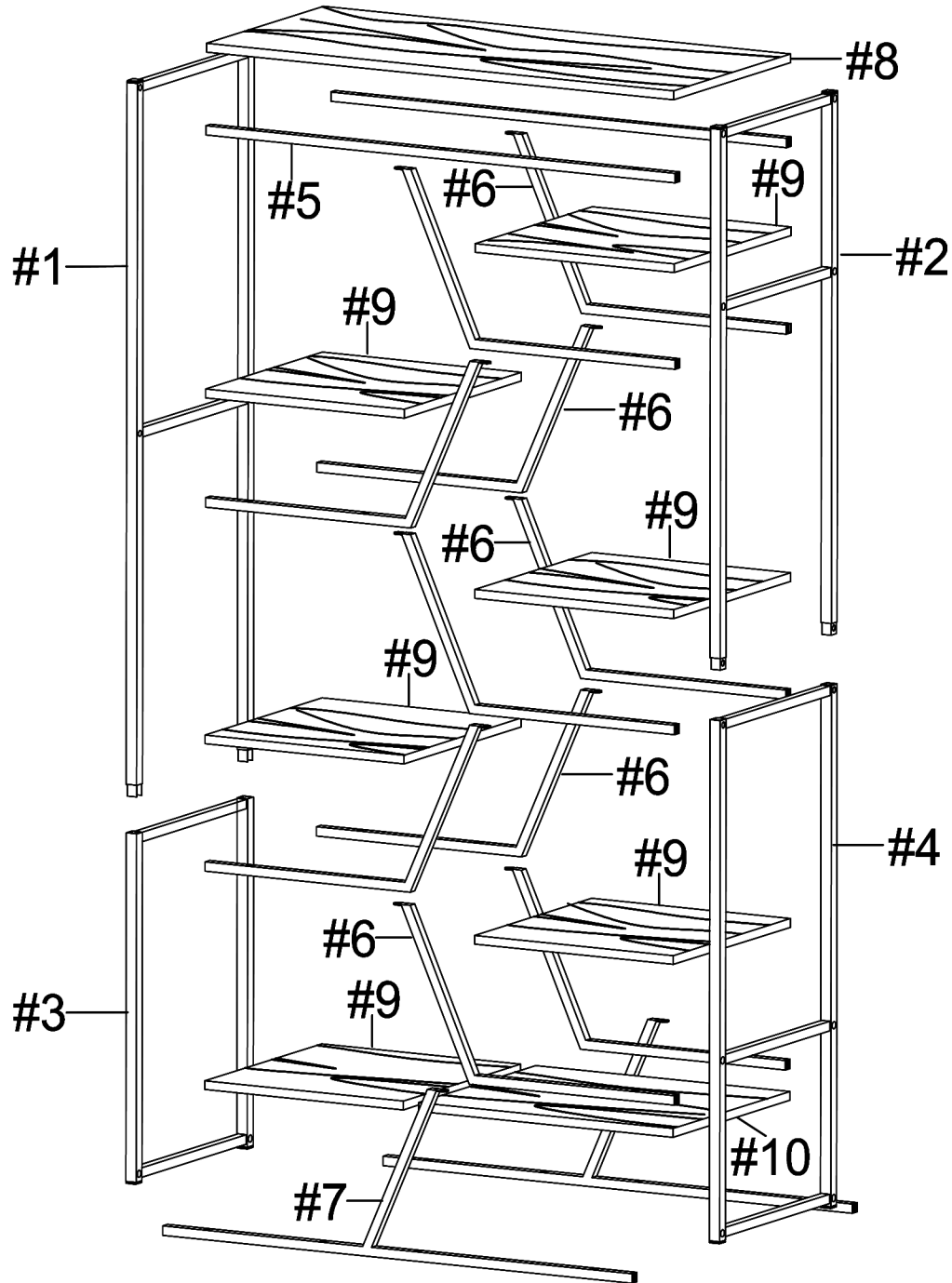
- 
#6 x 10pcs  
Stretcher
- 
#7 x 2pcs  
Bottom Stretcher
- 
#8 x 1pc  
Top Panel
- 
#9 x 6pcs  
Wood Shelf
- 
#10 x 1pc  
Right Bottom Shelf

### Hardware List

- 
#A x 18pcs  
Bolt 1/4" x 1-1/2"
- 
#B x 12pcs  
Bolt 1/4" x 1/2"
- 
#C x 36pcs  
Screw 4mm x 1"
- 
#D x 18pcs  
Bolt Cover Cap

- 
#E x 2pcs  
L Bracket
- 
#F x 2pcs  
Wall Anchor
- 
#G x 2pcs  
Plastic Strap
- 
#H x 1pc  
Allen Wrench

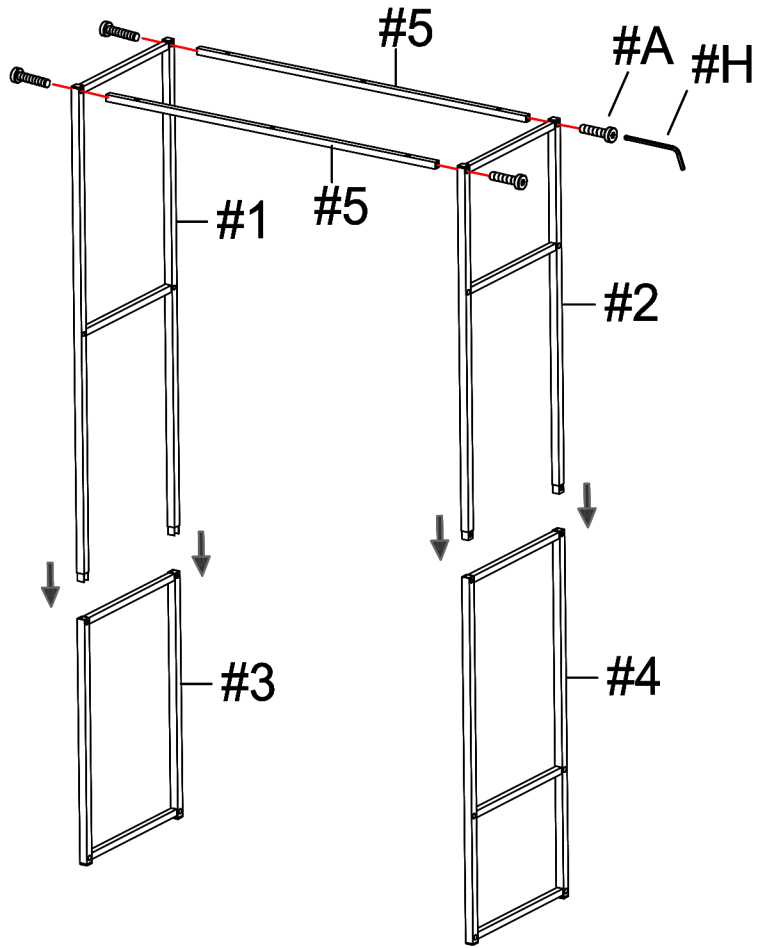
# Exploded View





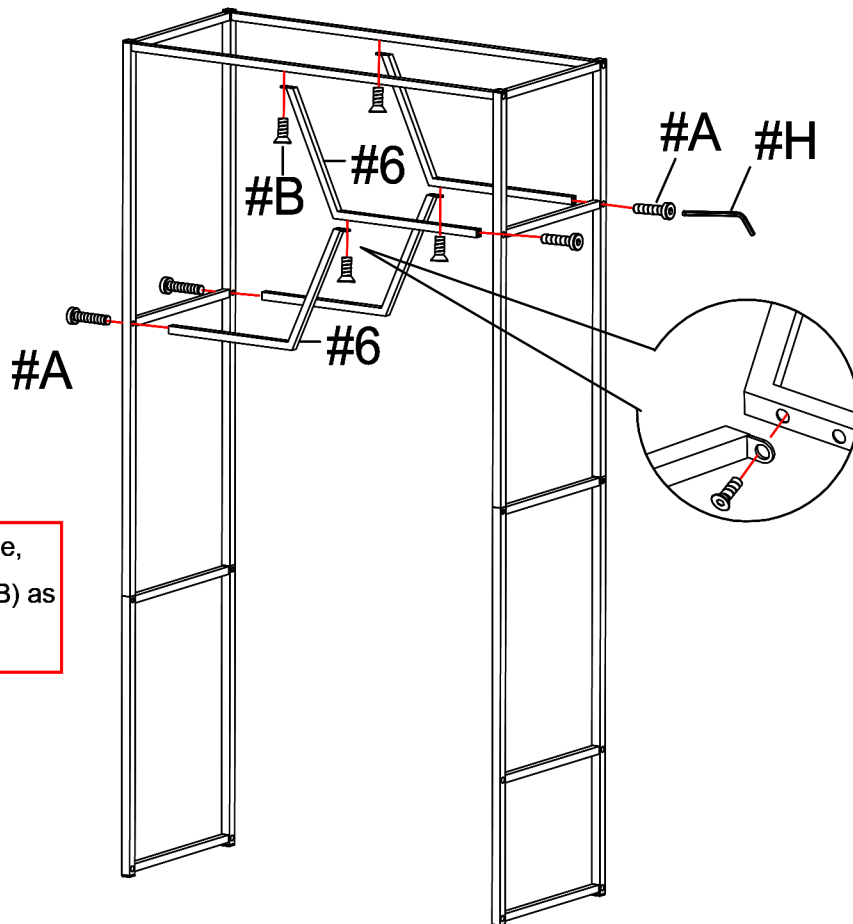
#A x 4pcs

Align top stretchers (#5) to the top side panels (#1,2), then secure by using bolts (#A). Attach top side panels (#1,2) to bottom side panels (#3,4).



#A x 4pcs  
#B x 4pcs

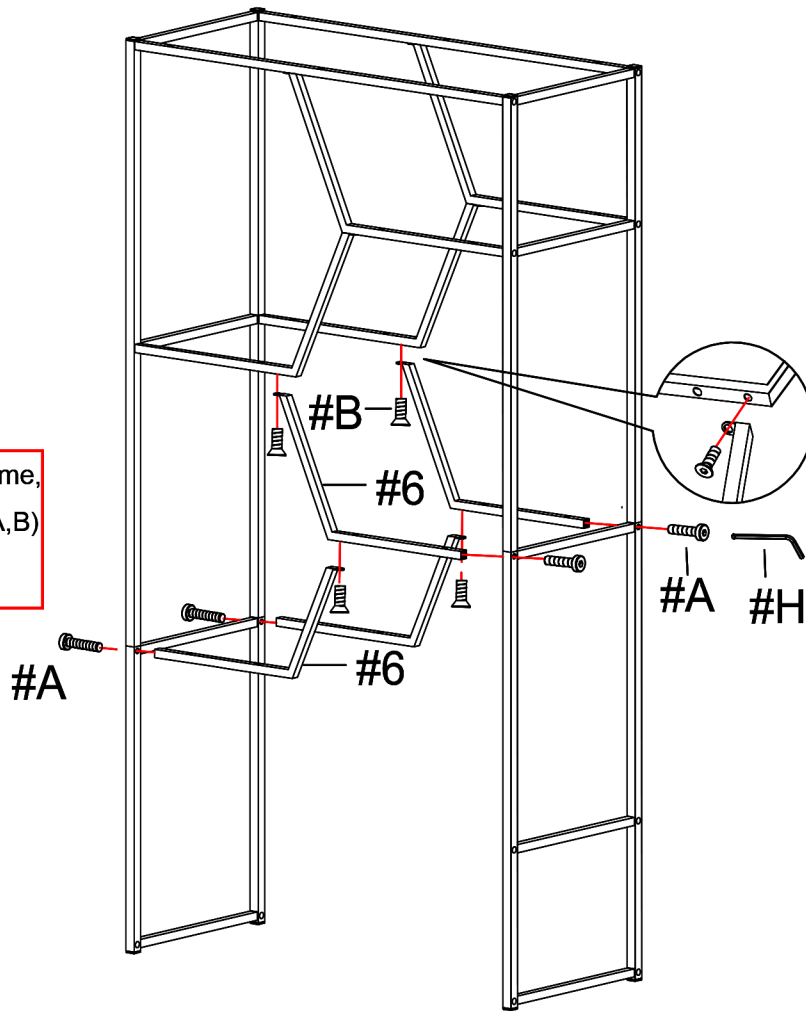
Align stretchers (#6) to the frame, then secure by using bolts (#A,B) as shown in the diagram.





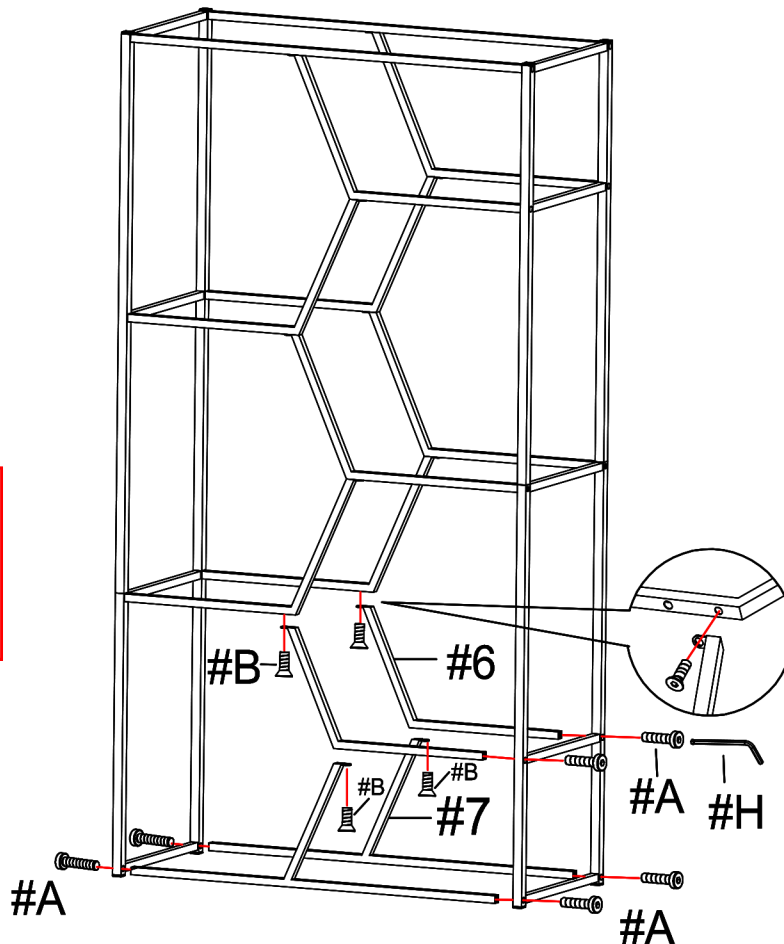
#A x 4pcs  
#B x 4pcs

Align stretchers (#6) to the frame,  
then secure by using bolts (#A,B)  
as shown in the diagram.



#A x 6pcs  
#B x 4pcs

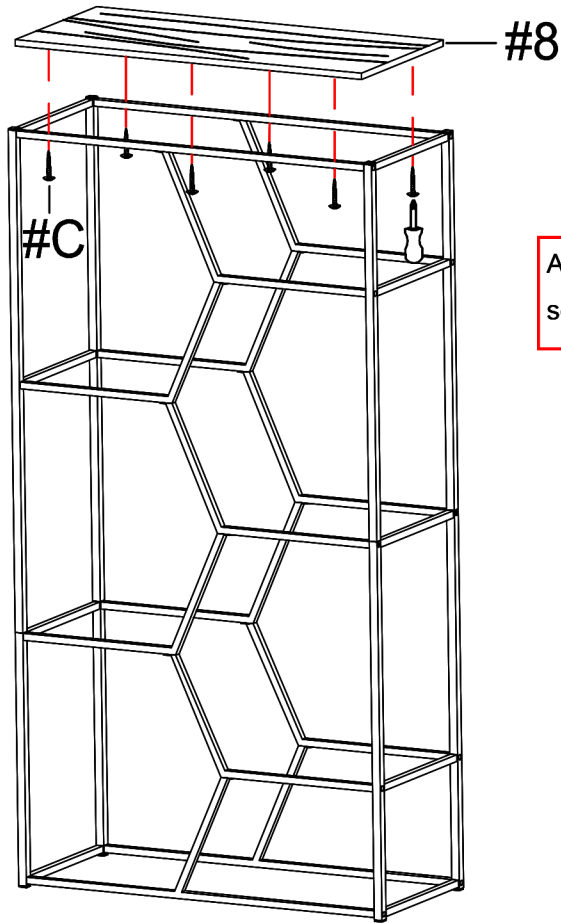
Align stretchers (#6) and bottom  
stretchers (#7) to the frame,  
then secure by using bolts  
(#A,B) as shown in the diagram.





#C x 6pcs

THERE WILL BE NO PRE-DRILLED HOLES FOR WOOD PANELS (#8,9,10)

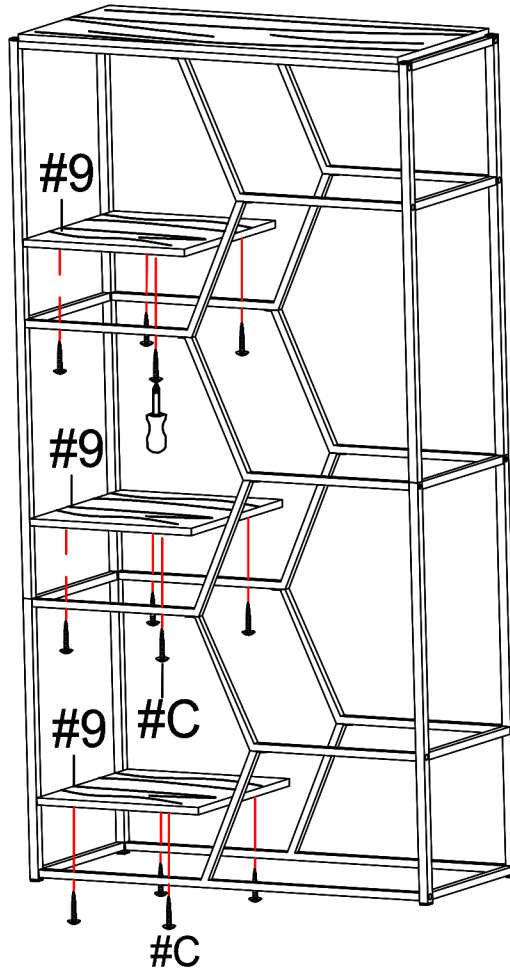


Align top panel (#8) to the top and secure by using screws (#C).



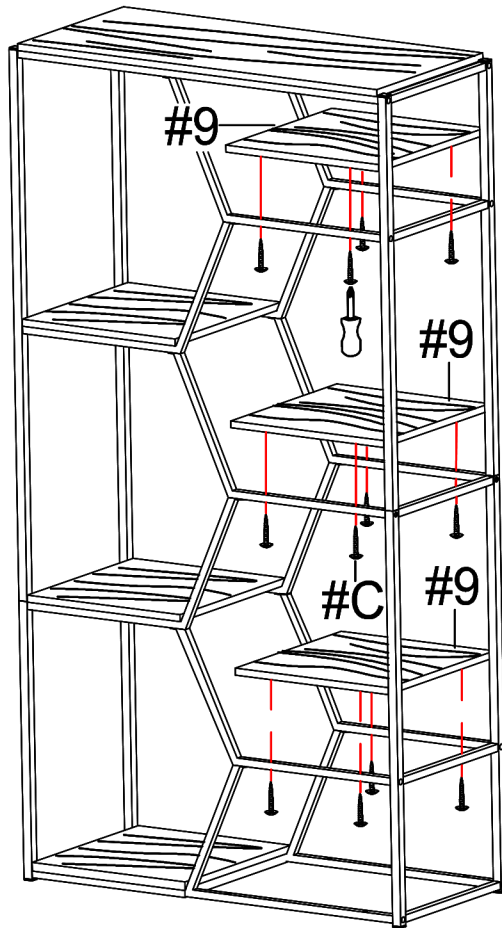
#C x 12pcs

Align wood shelves (#9) to the frame, then secure by using screws (#C).





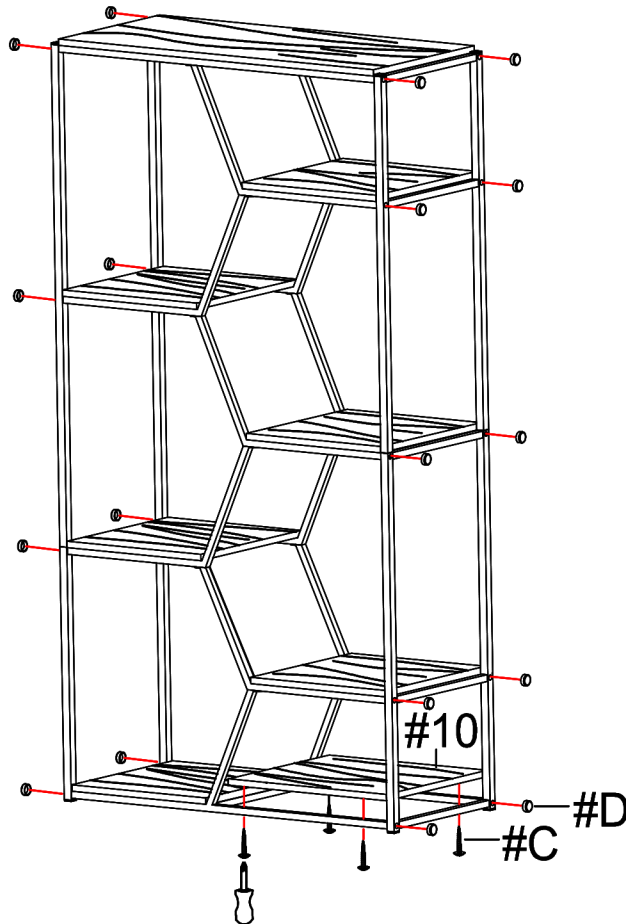
#C x 12pcs



Align wood shelves (#9) to the frame, then secure by using screws (#C).



#C x 4pcs  
#D x 18pcs

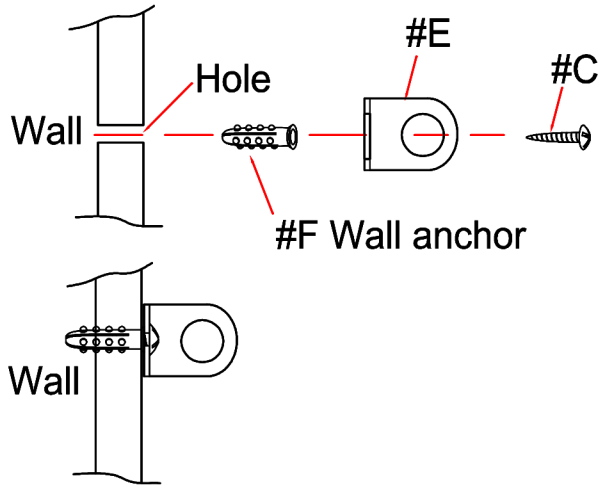
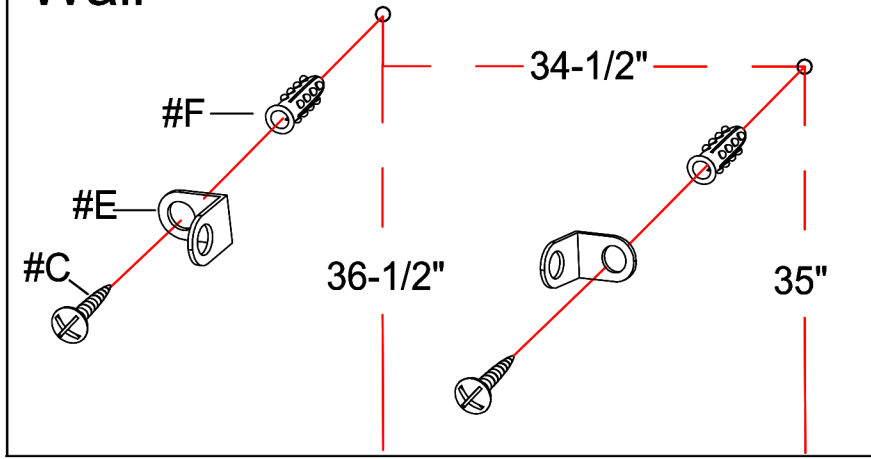


Align bottom shelf (#10) to the frame, then secure by using screws (#C). Attach bolt covers as shown in the diagram.



#C x 2pcs  
 #E x 2pcs  
 #F x 2pcs

### Wall



#G x 2pcs

