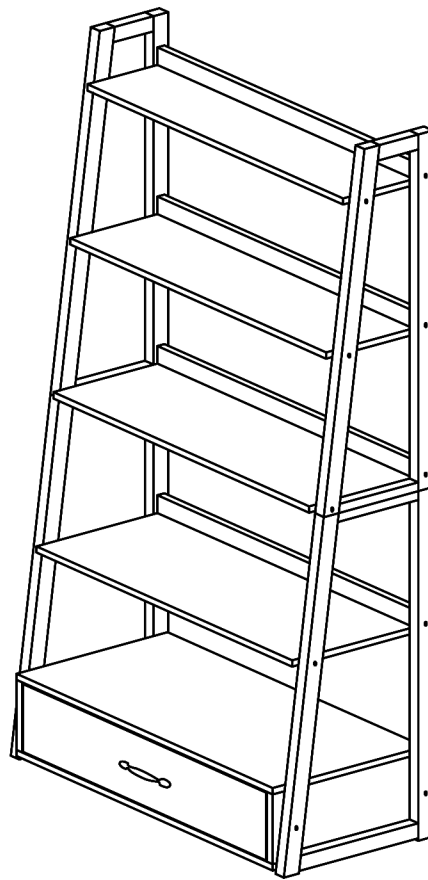


Assembly Instructions



ASSEMBLY RATING

The Assembly Rating is a 5-point system that shows the degree of effort needed in assembling a specific product (with 1 being easy and 5 being difficult). For some products, two persons are recommended.

EASY  DIFFICULT

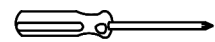
Tools Required For Assembly:

Allen Wrench



(Included)

Phillips Screwdriver



(Not Included)

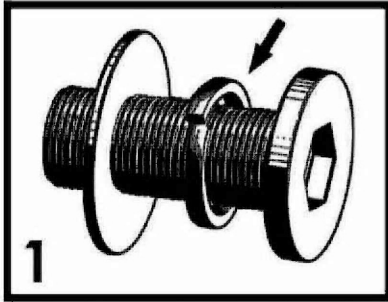


2 PERSONS RECOMMENDED

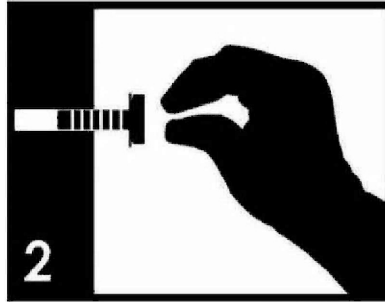
ASSEMBLY & CARE ADVICE

FOR YOUR FURNITURE TO LAST, CORRECT ASSEMBLY AND PROPER MAINTENANCE ARE NECESSARY. PLEASE FOLLOW THE INFORMATION PROVIDED BELOW TO FULLY ENJOY YOUR FURNITURE.

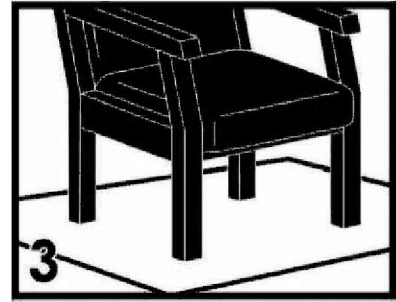
BASIC ASSEMBLY TECHNIQUES



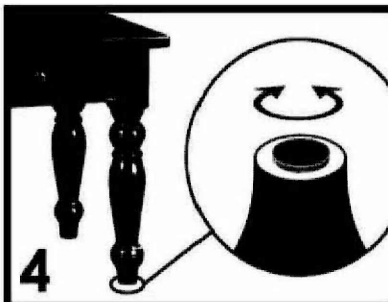
1
When lock or spring washer is used in an assembly, please make sure the lock or spring washer is placed between the larger flat washer and the head of the screw or bolt.



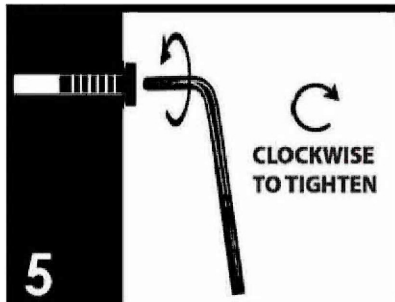
2
Position each part correctly and insert screws or bolts into their respective holes by hand tighten or using the proper hand tool. Only tighten when step is completed or when instructed to do so.



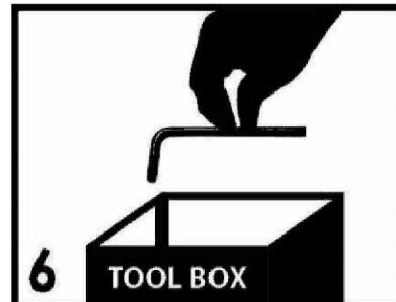
3
Use cardboard or carpet area when assembling furniture to prevent scratches. Make sure the furniture rests on a flat and level surface with each leg evenly touching the floor. No dragging of products/parts.



4
Some furniture comes with height adjustment knobs underneath each leg. To lower or to raise each leg, you need to turn clockwise or counterclockwise, respectively.



5
Make sure all parts are properly aligned, then use the appropriate hand tool to completely tighten the bolts or screws. Do not use power tools and do not overtighten.

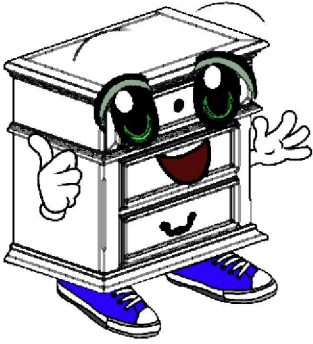


6
Save the instructions and store the Allen wrench or any supplied tool for later maintenance. After two weeks, check and tighten any loose hardware and repeat again every six months thereafter.

IT IS THE USER'S RESPONSIBILITY TO MAINTAIN THE FURNITURE. THE HARDWARE MAY LOOSEN OVER TIME AND MAY CAUSE THE FURNITURE TO BE WOBBLY AND UNABLE TO SUPPORT ITS INTENDED WEIGHT CAPACITY. THIS MAY LEAD TO COLLAPSE AND MAY CAUSE SERIOUS INJURY.



FAILURE TO FOLLOW THE GUIDELINES ABOVE MAY RESULT IN INJURY AND/OR PROPERTY DAMAGE.

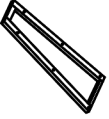
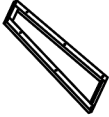
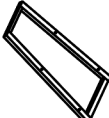
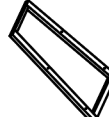


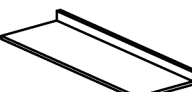
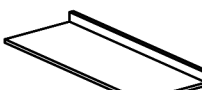






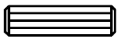


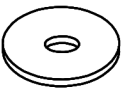
Before you begin, please read Page 2 of "Assembly and Care Advice".

And remember, do not tighten until each step is completed or instructed.

Parts List

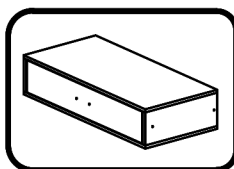
Hardware List

	#1 x 1pc Upper Right Frame
	#2 x 1pc Upper Left Frame
	#3 x 1pc Lower Right Frame
	#4 x 1pc Lower Left Frame
	#5 x 1pc Shelf 1
	#6 x 1pc Shelf 2
	#7 x 1pc Shelf 3
	#8 x 1pc Shelf 4

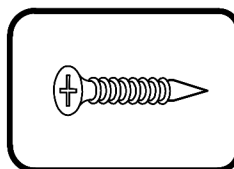
	#A x 4pcs Bolt Ø1/4" x 1-3/8"
	#B x 16pcs Bolt Ø1/4" x 2-3/8"
	#C x 16pcs Barrel Nuts Ø1/4"
	#D x 1pc Allen Key 4mm
	#E x 4pcs Wood Dowel Ø10x40mm
	#F x 4pcs Screw #4 x 35mm
	#G x 2pcs Screw #3 x 15mm
	#H x 4pcs Flat Washer Ø4 x 10mm

Parts List

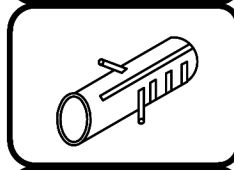
Hardware List



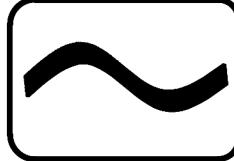
#9 x 1pc
Smoking box



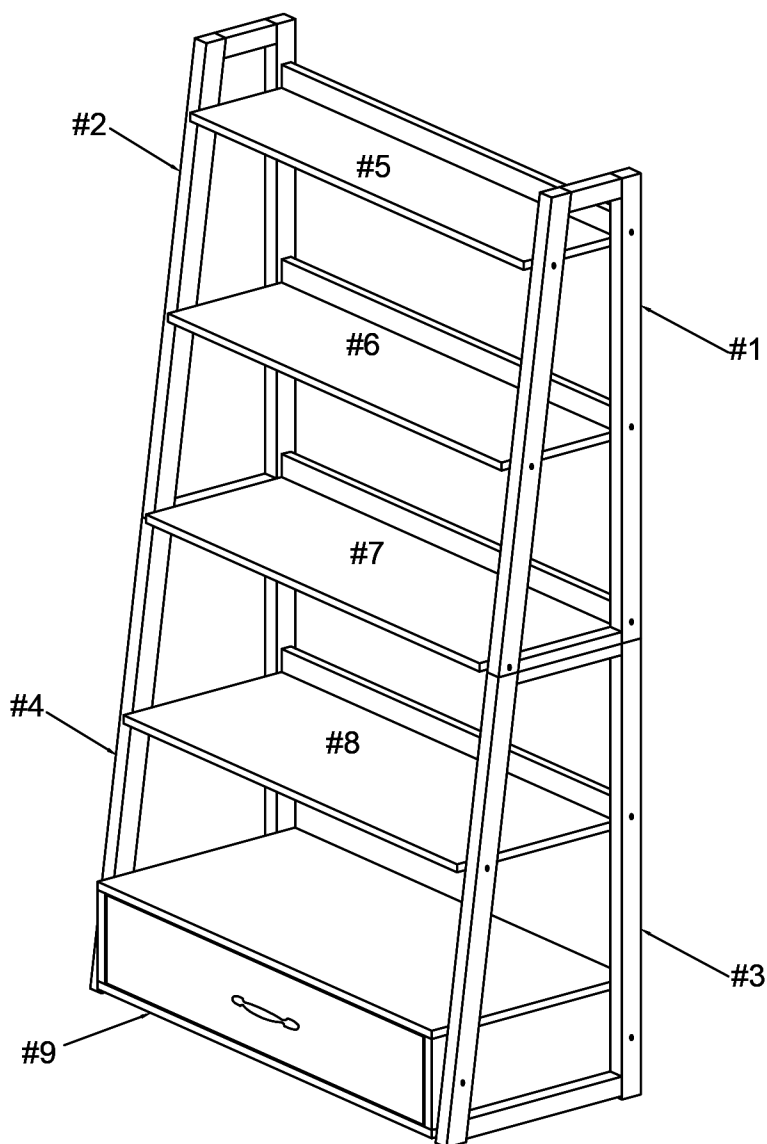
#I x 2pcs
Screw #3.5 x 20mm



#J x 2pcs
Tox



#K x 2pcs
Fabric

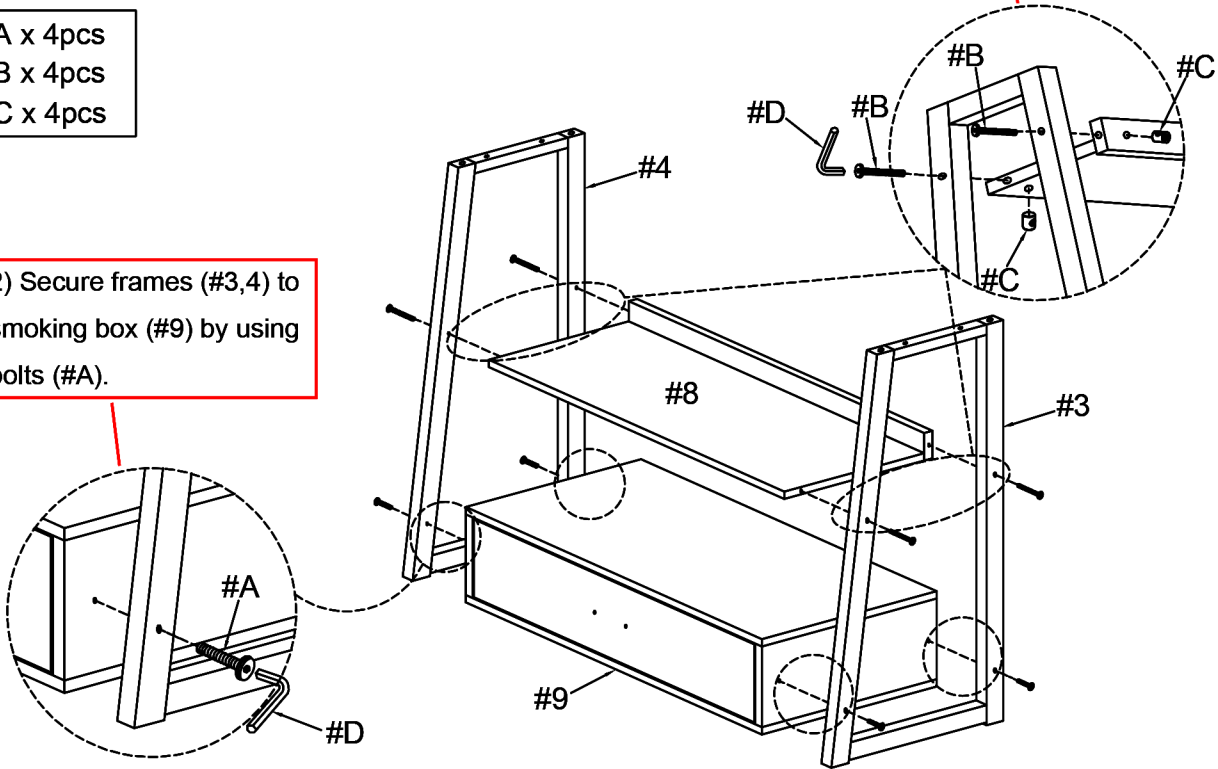




1) Align lower right and left frames (#3,4) to the shelf (#8) and smoking box (#9). Secure frames (#3,4) to shelf (#8) by using bolts (#B) with barrel nuts (#C).

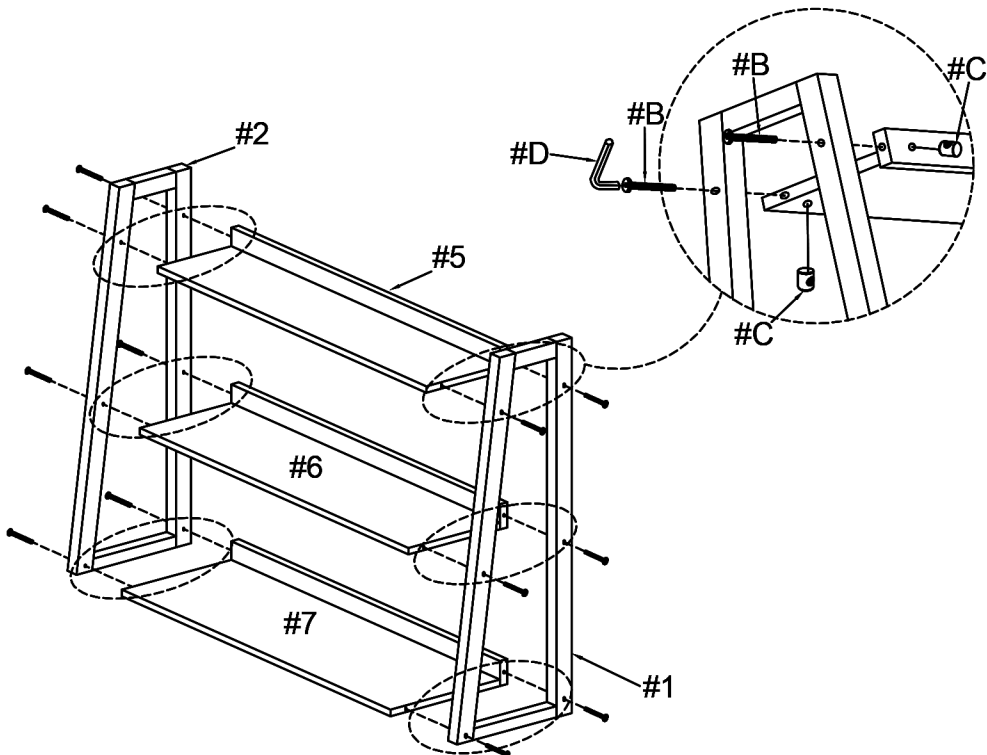
#A x 4pcs
#B x 4pcs
#C x 4pcs

2) Secure frames (#3,4) to smoking box (#9) by using bolts (#A).



Align upper right and left frames (#1,2) to shelves (#5,6,7), then secure by using bolts (#B) with barrel nuts (#C).

#B x 12pcs
#C x 12pcs

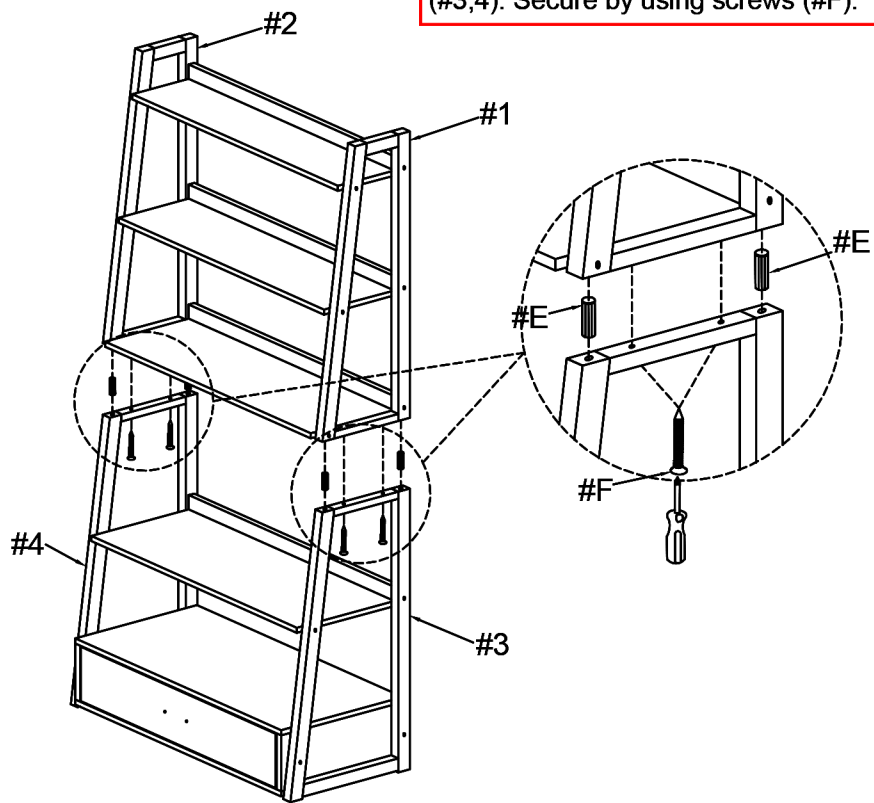




#3

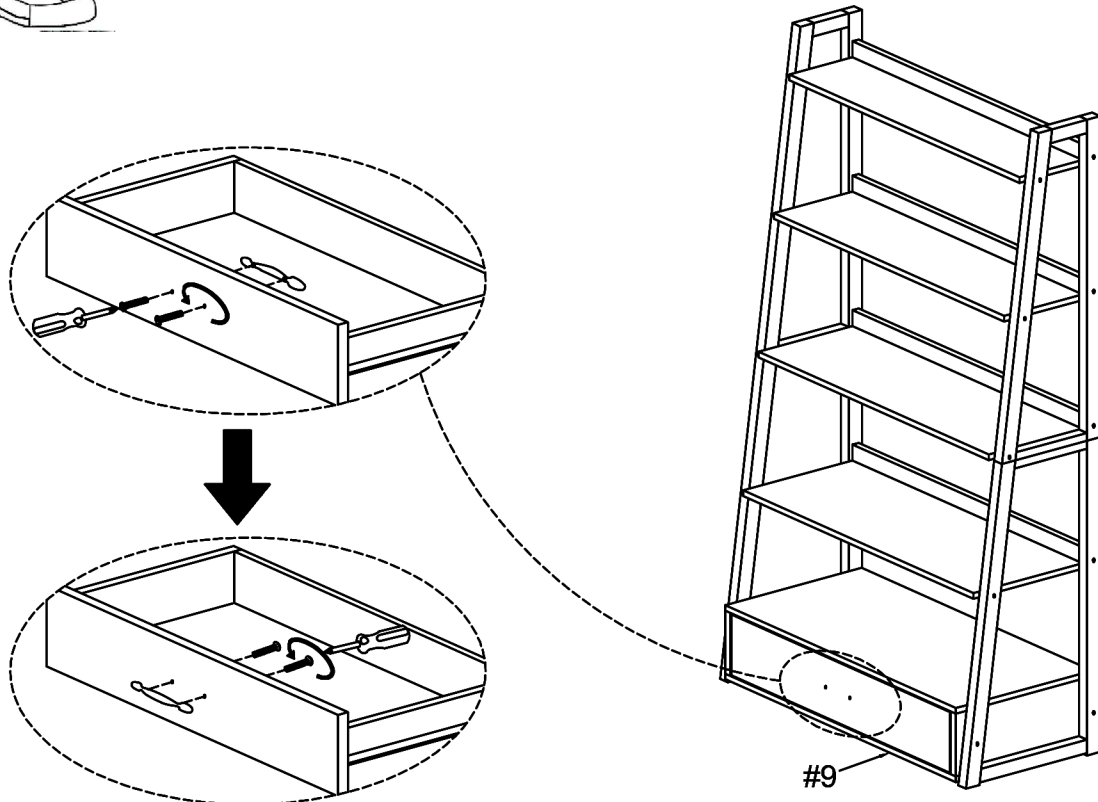
#E x 4pcs
#F x 4pcs

Insert dowels (#E) to holes of the lower frames (#3,4), then align the upper frames (#1,2) to the lower frames (#3,4). Secure by using screws (#F).



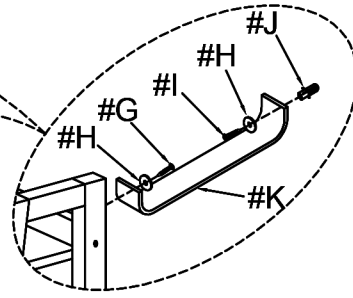
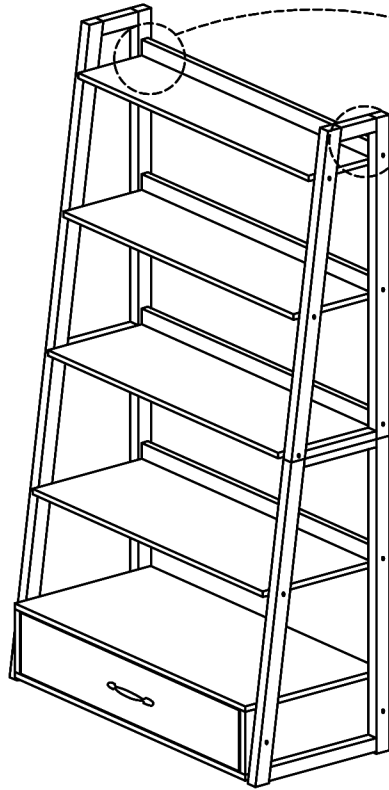
#4

Detach handle from the inside of drawer, then secure handle to the outside of drawer.



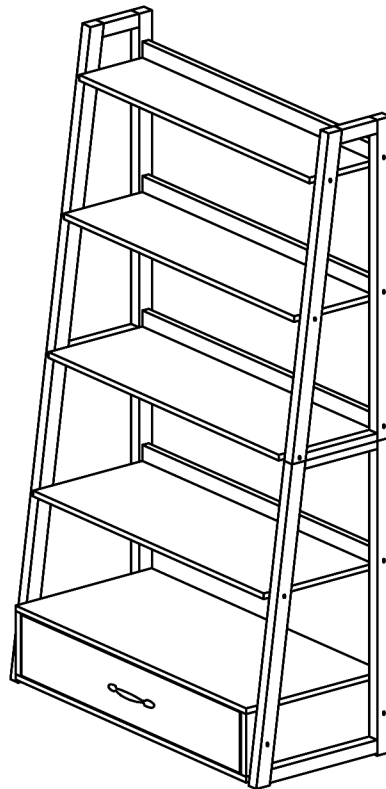


#G x 2pcs
#H x 4pcs
#I x 2pcs
#J x 2pcs
#K x 2pcs



Wall Strap

- 1) Align strap (#K) to top back corners of the product, then secure by using screws (#G) with washers (#H).
- 2) Align and measure product with strap to the wall, then drill a hole in the wall. Insert plastic inserts (#J) to the hole of the wall, then align strap (#K) to plastic inserts (#J). Secure by using screws (#I) with washers (#H).



ASSEMBLY IS COMPLETED