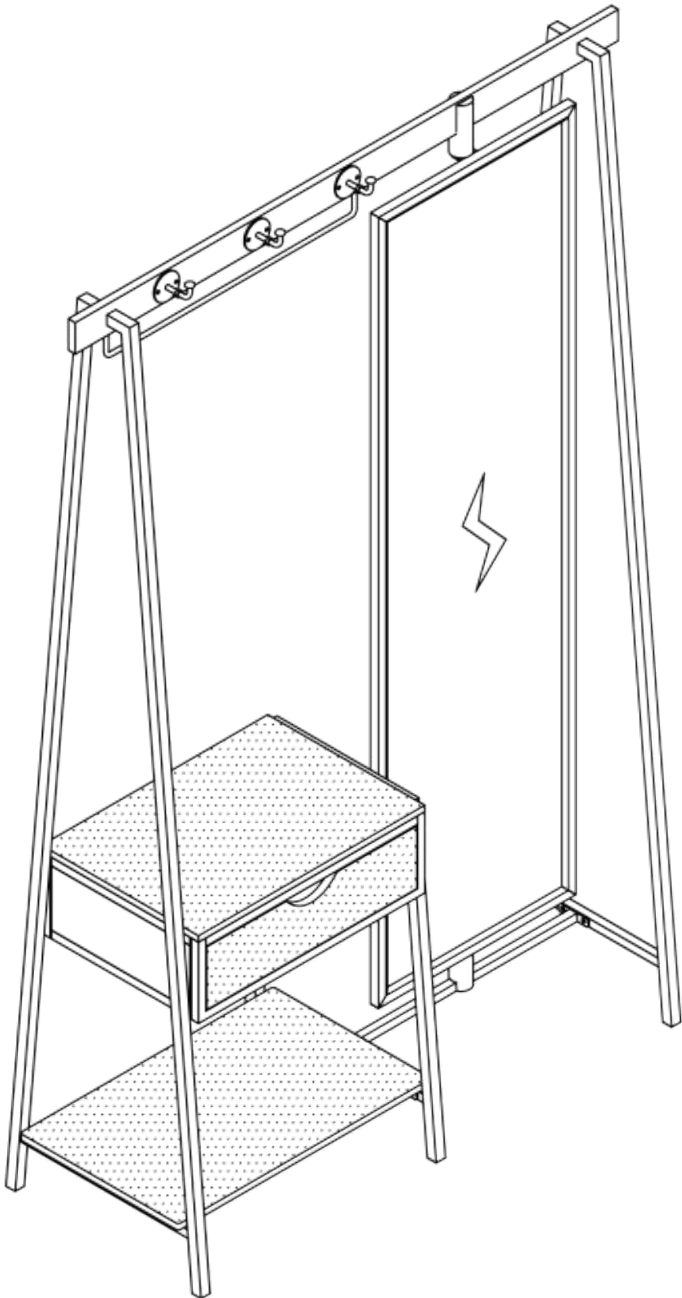


ASSEMBLY INSTRUCTIONS



TOOLS REQUIRED



Allen Wrench
(Included)



Phillips
Screwdriver
(Not Included)



2 - People
Recommended

ASSEMBLY RATING



EASY —————> DIFFICULT

The Assembly Rating is a 5-point system showing the level of effort needed to assemble a specific product.



CHECK BEFORE STARTING

Are you missing anything?

Double-check all parts, hardware and accessories listed on Page 6 are accounted for.

Check out our Quick Tips!

We recommend reviewing the pre-assembly handouts. Even experts need a refresher now and then!

Should we send any replacements?

Are there any irregularities or flaws in the parts? We can send replacements!

Prep Time!

Please review the assembly instructions and all diagrams prior to assembling. Arrange parts as recommended on Page 7 and group identical hardware together to make assembling easier.

PRE ASSEMBLY INTRODUCTION

We understand building ready-to-assemble furniture can be a challenging experience for some. To help avoid confusion, we have provided some helpful tips that may speed up the process.



Teamwork

ALWAYS have at least two people to help with transporting and assembling the product to avoid potential injury and/or damage.



Suitable Location

Assembling near the area of the intended location is highly recommended.



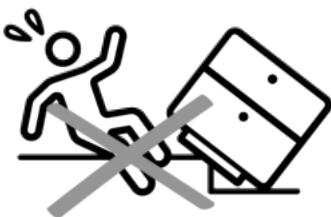
Sufficient Space

Make sure you have enough space to move around during the assembly.



Avoid Scratches

Use cardboard, blankets or a carpeted area while assembling furniture to prevent scratches.



Flat Surface

Make sure the furniture rests on a flat and level surface with each leg evenly touching the floor.

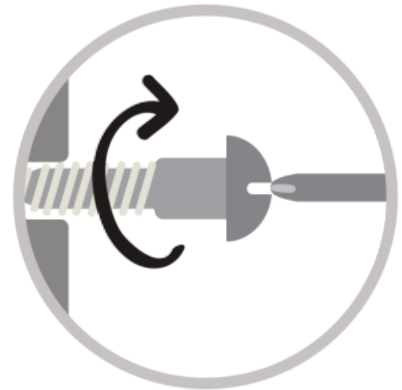
ASSEMBLY AND CARE ADVICE



FAILURE TO FOLLOW THE GUIDELINES BELOW MAY RESULT IN INJURY AND/OR PROPERTY DAMAGE.



Position each part correctly and insert screws or bolts into their respective holes.



Turn clockwise to tighten and only tighten when step is completed or when instructed to do so.



Use the appropriate hand tools or power tools for assembly. Select steps, such as tightening screws and/or bolts, may require hand tools to avoid causing damage during assembly.



Save the instructions and store any supplied tools for later maintenance.



After two weeks, check and tighten any loose hardware and repeat again every six months thereafter.

IT IS THE USER'S RESPONSIBILITY TO MAINTAIN THE FURNITURE. THE HARDWARE MAY LOOSEN OVER TIME AND MAY CAUSE THE FURNITURE TO BE WOBBLY AND UNABLE TO SUPPORT ITS INTENDED WEIGHT CAPACITY. THIS MAY LEAD TO COLLAPSE AND MAY CAUSE SERIOUS INJURY.

CAM LOCK FASTENER ASSEMBLY INSTRUCTIONS

Note :

Every cam lock bolt must have a cam lock connector in order to fasten the parts together.



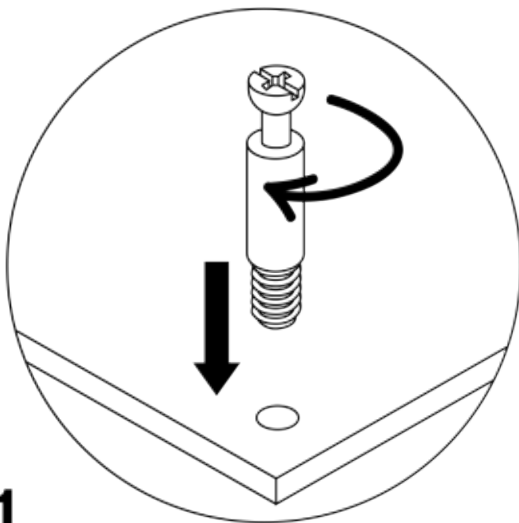
cam bolt



cam lock

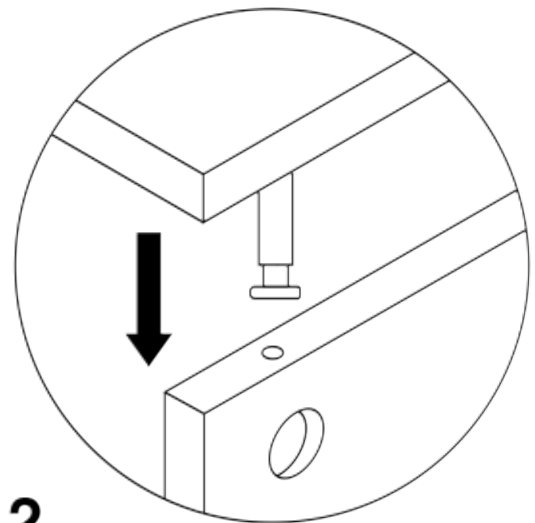


screwdriver



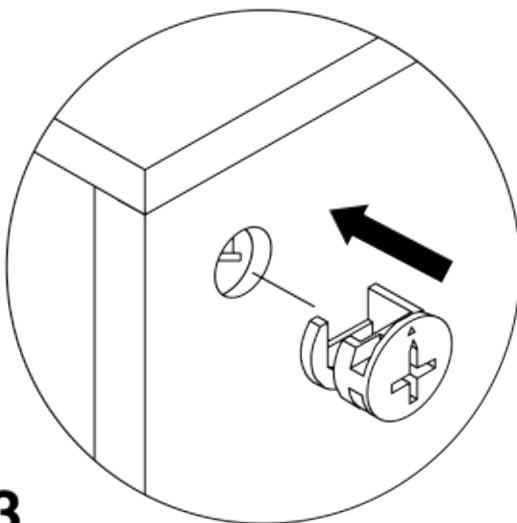
1

Screw the cam bolt into panel.



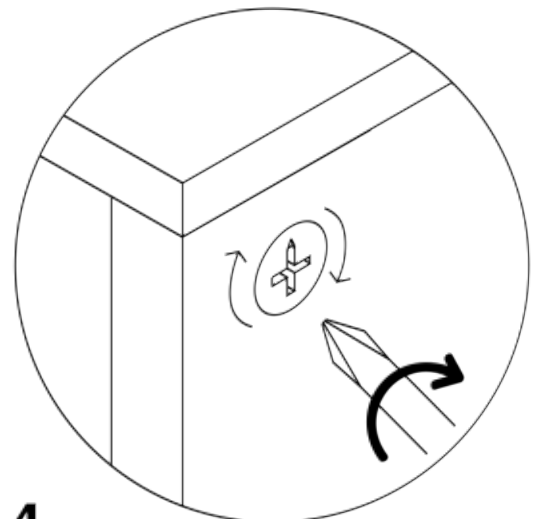
2

Insert the cam bolt into the bolt hole of joint panel.



3

Align the cam lock with its side opening (or arrow) pointing to cam bolt.



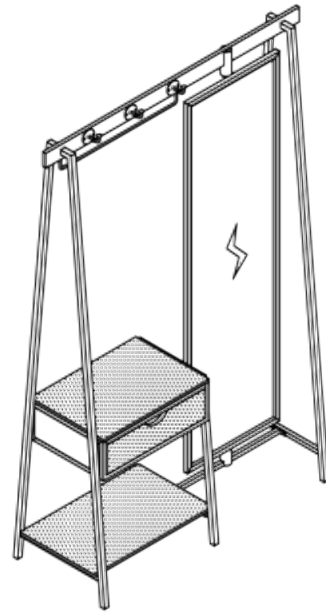
4

Turn the cam lock clockwise gently until it will not turn any more.

COAT STAND



- Please keep instructions for future reference.
- Check the quantity and irregularity of parts and hardware before you start.



PARTS

#1 1pc



Left front post

#2 1pc



Left back post

#3 1pc



Right front post

#4 1pc



Right back post

#5 1pc



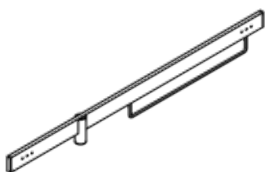
Mirror

#6 1pc



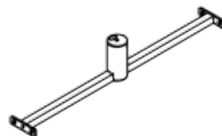
Middle panel

#7 1pc



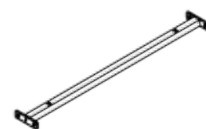
Top panel

#8 1pc



Bottom panel

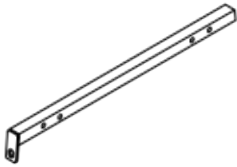
#9 2pcs



Bottom cross bar

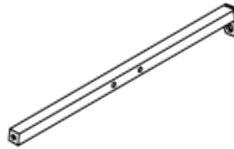
PARTS

#10 1pc



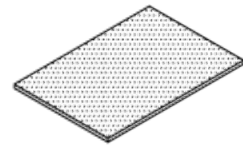
Left cross bar

#11 1pc



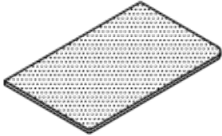
Right cross bar

#12 1pc



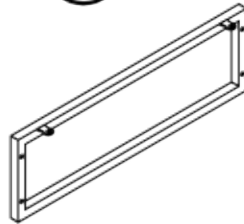
Bottom wood board

#13 1pc



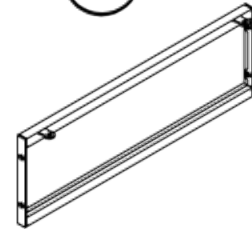
Drawer top board

#14 1pc



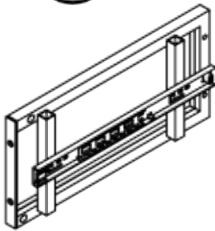
Front drawer frame

#15 1pc



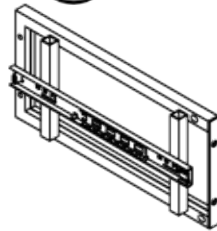
Back drawer frame

#16 1pc



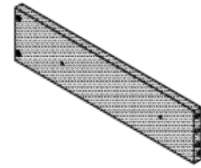
Left drawer frame

#17 1pc



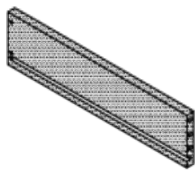
Right drawer frame

#18 1pc



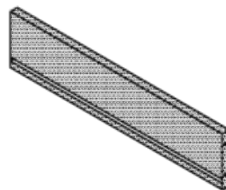
Left drawer board

#19 1pc



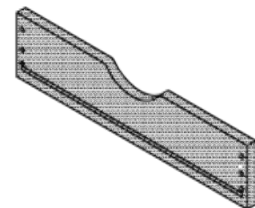
Right drawer board

#20 1pc



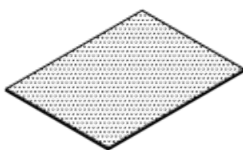
Back drawer board

#21 1pc



Front drawer board

#22 1pc



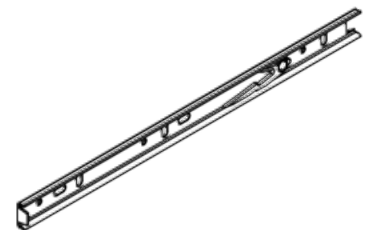
Bottom drawer board

#23 3pcs



Hook

#24 2pcs



Slide

HARDWARE

#A 6pcs



Screw $\phi 3/16$ "x1/2"

#B 4pcs



Screw M4x25mm

#C 4pcs



Screw M4x10mm

#D 4pcs



Screw M4x25mm

#E 2pcs



Bolt $\phi 1/4$ "

#F 8pcs



Bolt $\phi 1/4$ "x1/2"

#G 26pcs



Bolt $\phi 1/4$ "x1/2"

#H 6pcs



Bolt $\phi 1/4$ "x1-1/8"

#I 2pcs



Bolt $\phi 1/4$ "x1-1/2"

#J 2pcs



Wooden tenon

#K 16pcs



Flat Washer $\phi 1/4$ "

#L 4pcs



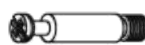
Flat Washer $\phi 3/16$ "

#M 1pc



Allen Wrench

#N 4pcs



Cam bolt

#O 4pcs



Cam Lock

ASSEMBLY INSTRUCTIONS

1

Part #1 x1pc

Part #3 x1pc

Part #7 x1pc

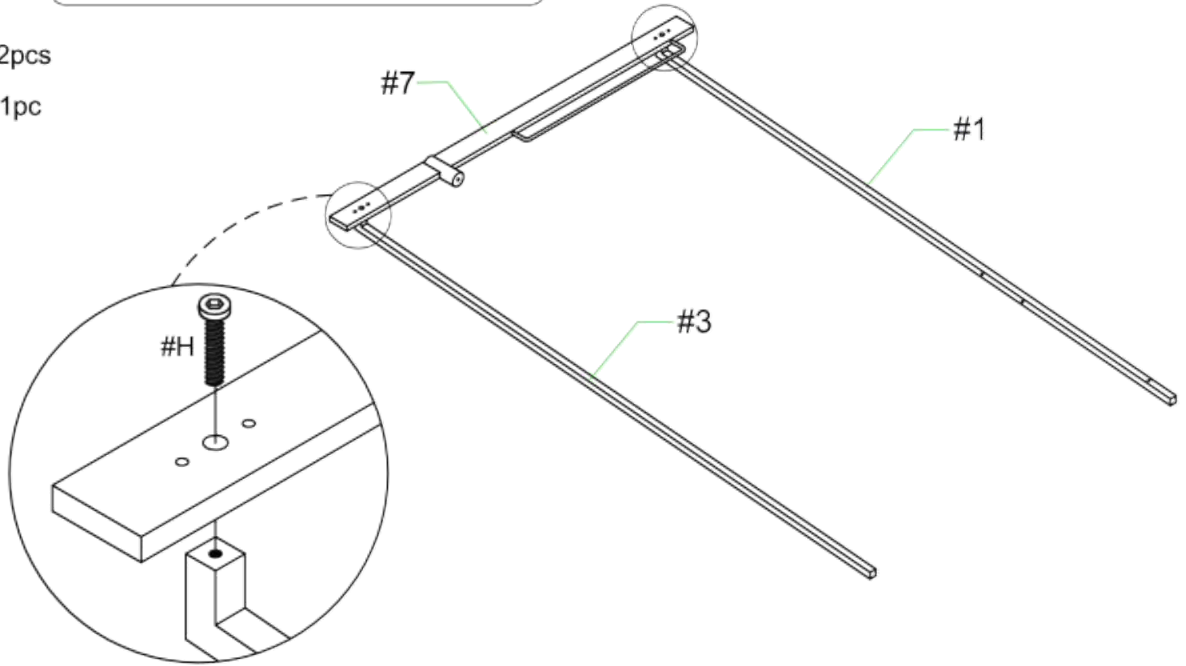
Hardware #H x2pcs

Hardware #M x1pc

Note:

Do not fully tighten all bolts until assembly is complete. This will help all parts to assemble properly.

Align the back posts (#1, #3) to top panel (#7), then secure by using bolts (#H).



2

Part #10 x1pc

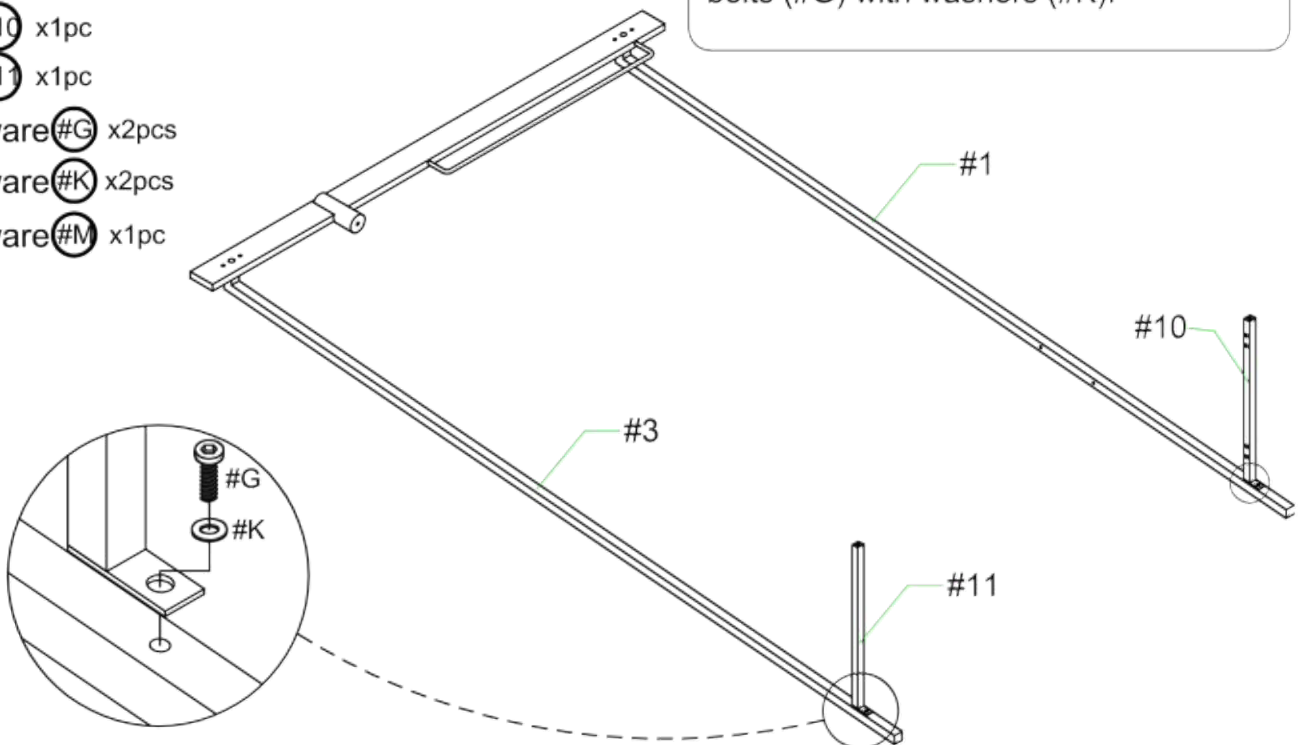
Part #11 x1pc

Hardware #G x2pcs

Hardware #K x2pcs

Hardware #M x1pc

Align the bottom cross bar (#10, #11) to back post (#1, #3), then secure by using bolts (#G) with washers (#K).

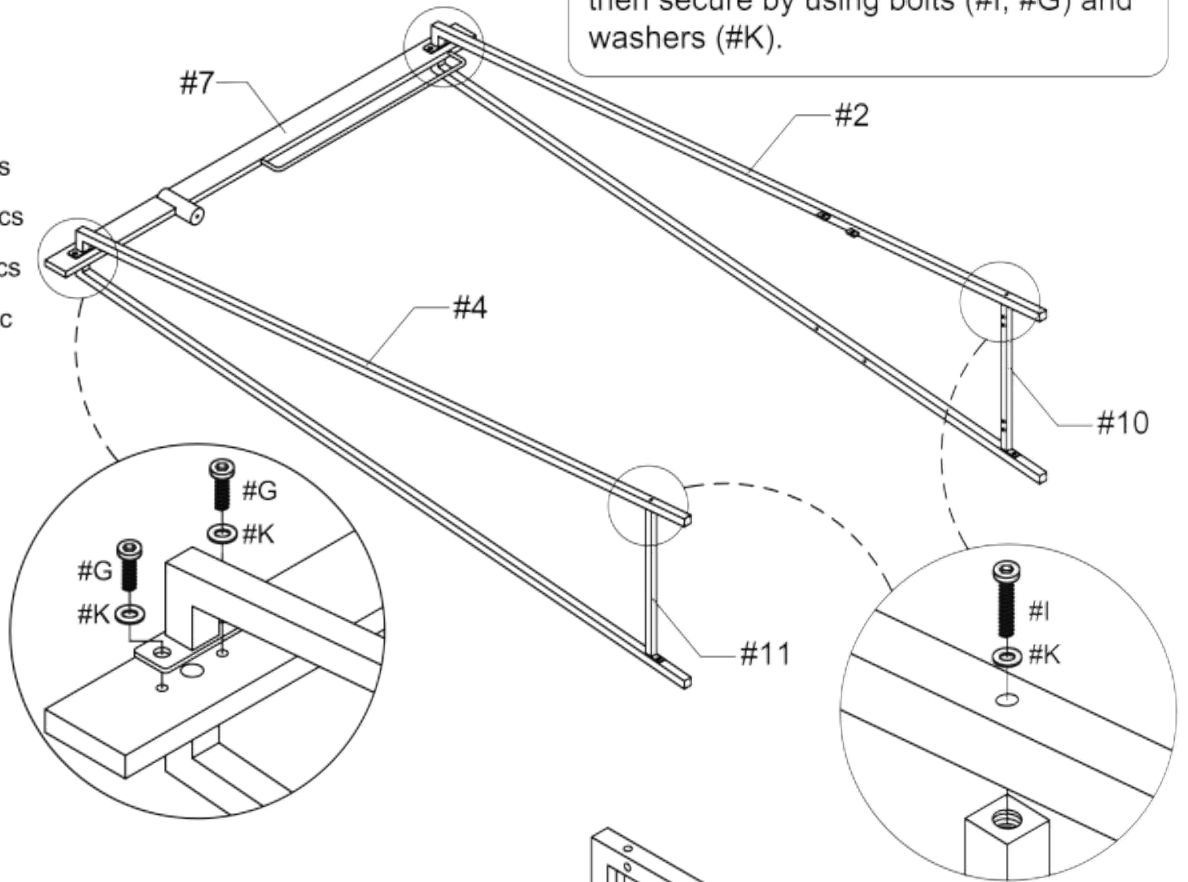


ASSEMBLY INSTRUCTIONS

3

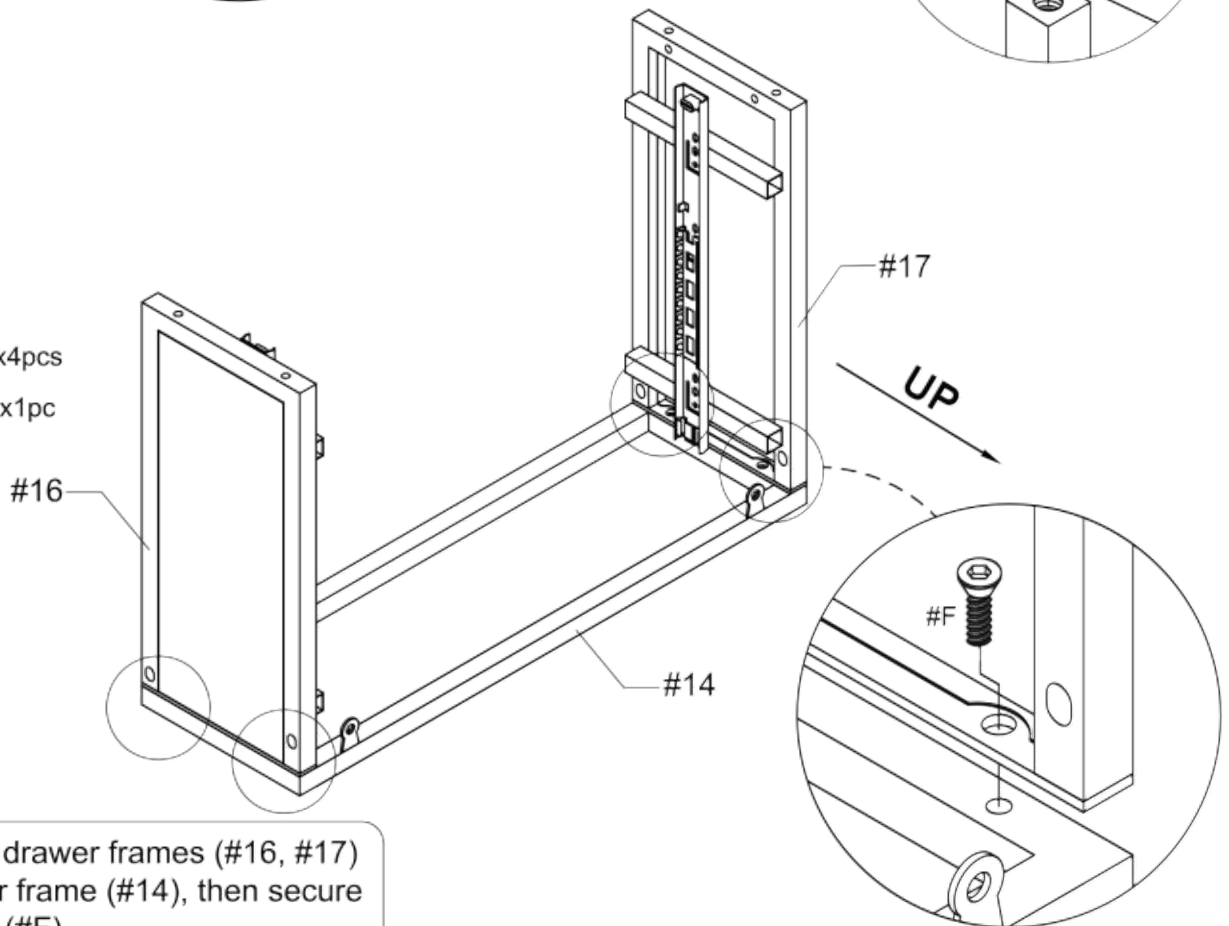
- Part #2 x1pc
- Part #4 x1pc
- Hardware #I x2pcs
- Hardware #G x4pcs
- Hardware #K x6pcs
- Hardware #M x1pc

Align the front post (#2, #4) to top panel (#7) and bottom cross bar (#10, #11), then secure by using bolts (#I, #G) and washers (#K).



4

- Part #14 x1pc
- Part #16 x1pc
- Part #17 x1pc
- Hardware #F x4pcs
- Hardware #M x1pc

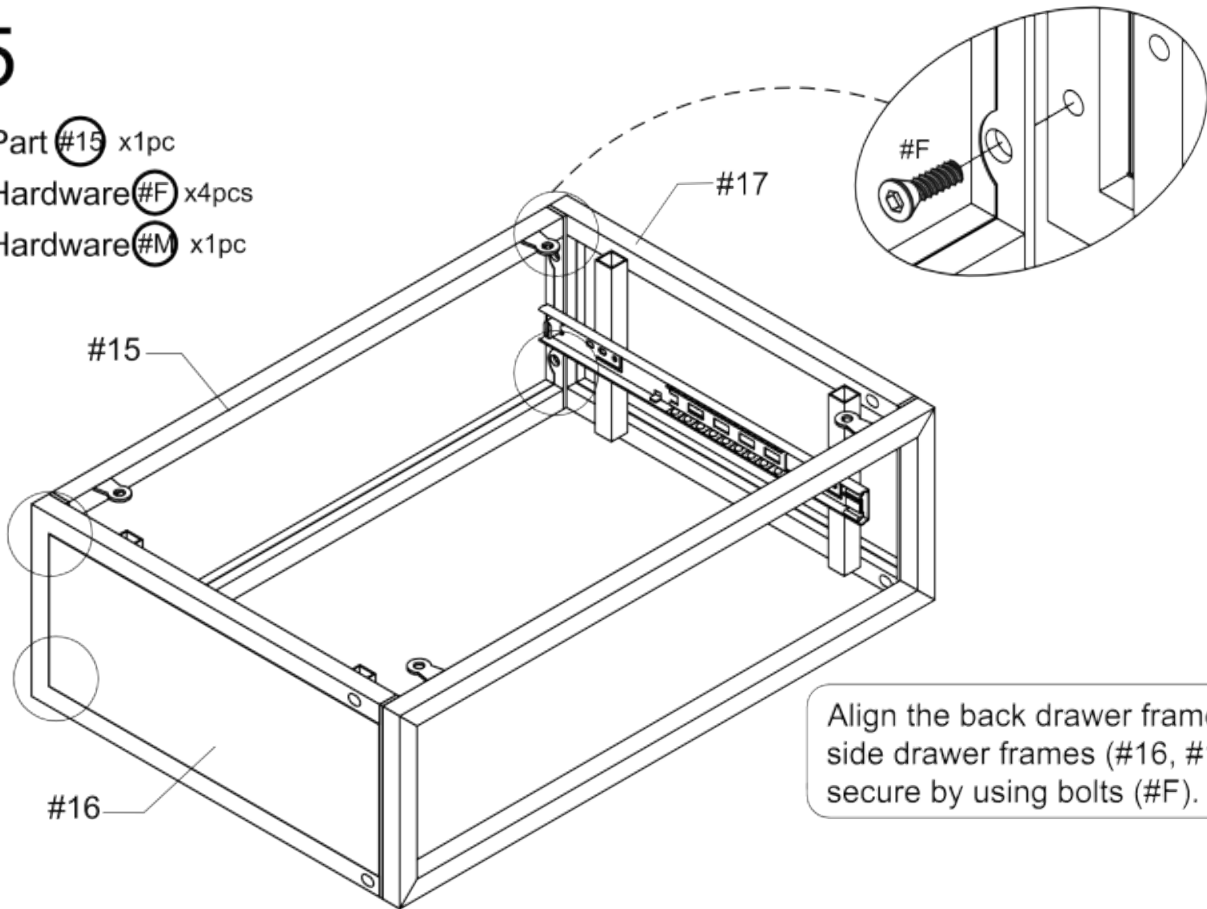


Align the side drawer frames (#16, #17) to front drawer frame (#14), then secure by using bolts (#F).

ASSEMBLY INSTRUCTIONS

5

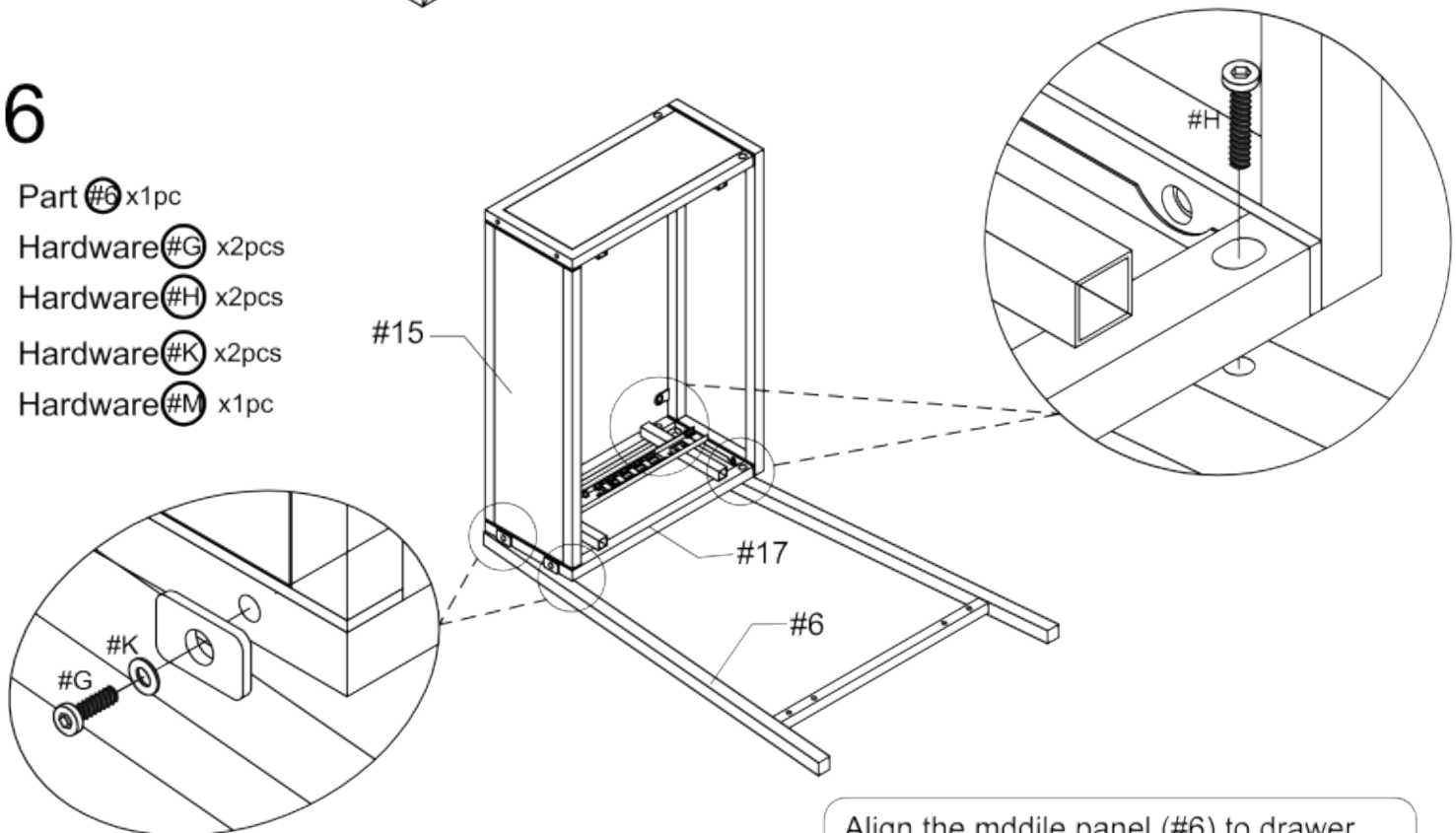
- Part #15 x1pc
- Hardware #F x4pcs
- Hardware #M x1pc



Align the back drawer frames (#15) to side drawer frames (#16, #17), then secure by using bolts (#F).

6

- Part #6 x1pc
- Hardware #G x2pcs
- Hardware #H x2pcs
- Hardware #K x2pcs
- Hardware #M x1pc

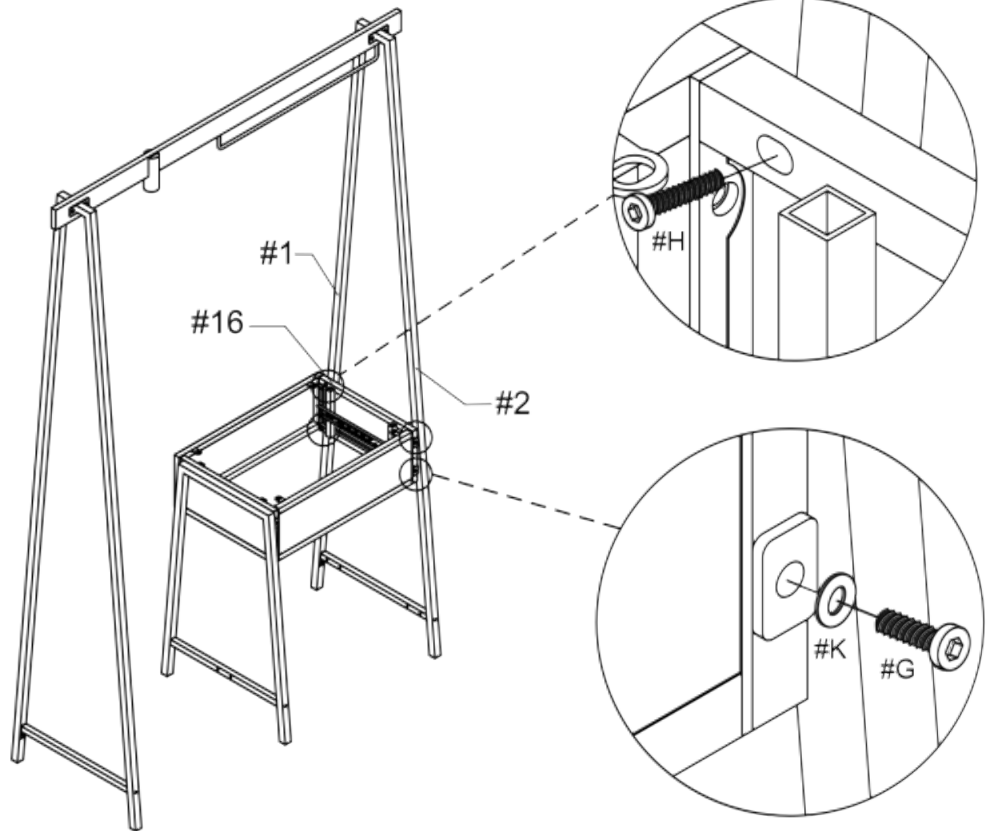


Align the middle panel (#6) to drawer frames (#15, #17), then secure by using bolts (#G, #H) and washers (#K).

ASSEMBLY INSTRUCTIONS

7

- Hardware **#G** x2pcs
- Hardware **#H** x2pcs
- Hardware **#K** x2pcs
- Hardware **#M** x1pc

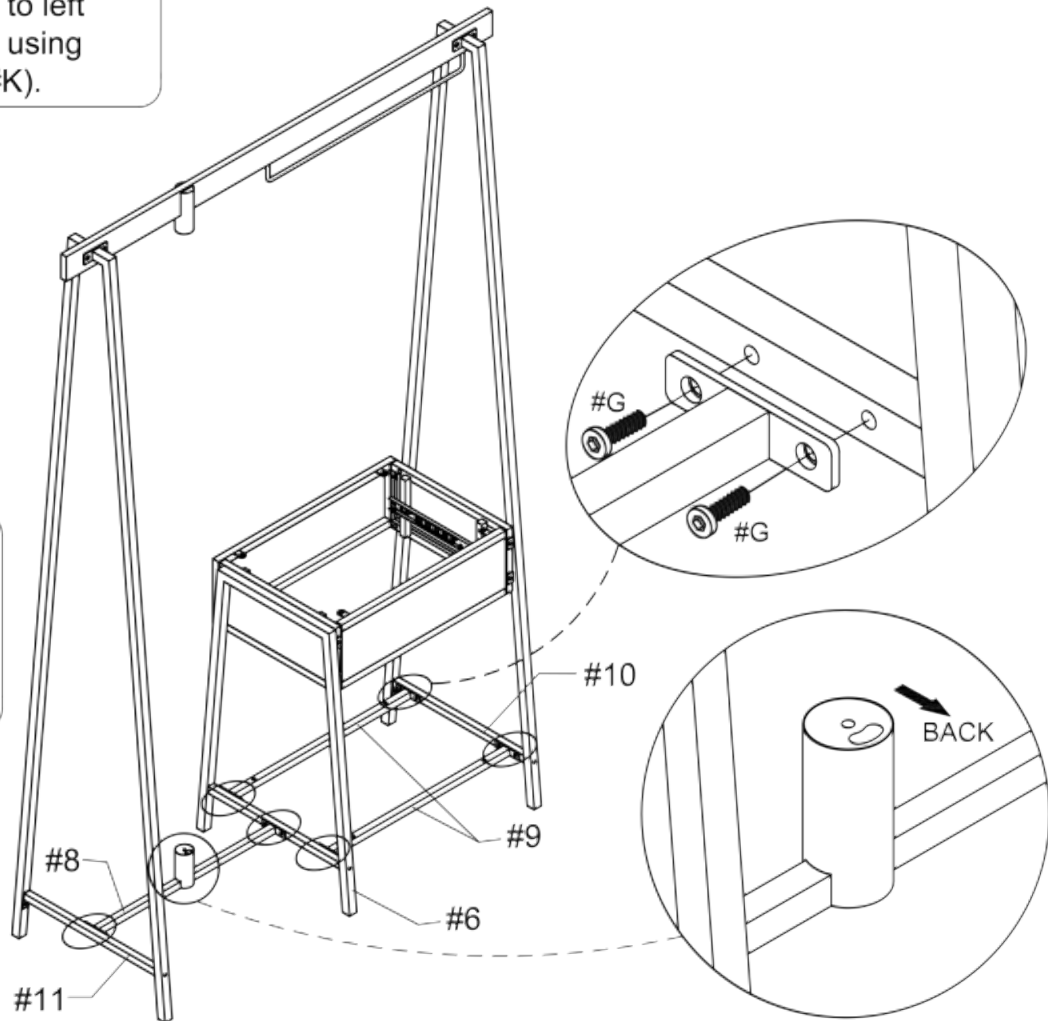


Align the drawer frames (#16) to left posts (#1, #2), then secure by using bolts (#G, #H) and washers (#K).

8

- Part **#8** x1pc
- Part **#9** x2pcs
- Hardware **#G** x12pcs
- Hardware **#M** x1pc

Align the bottom cross bars (#9), bottom panel (#8) to side cross bar (#10, #11) and middle panel (#6), then secure by using bolts (#G).



ASSEMBLY INSTRUCTIONS

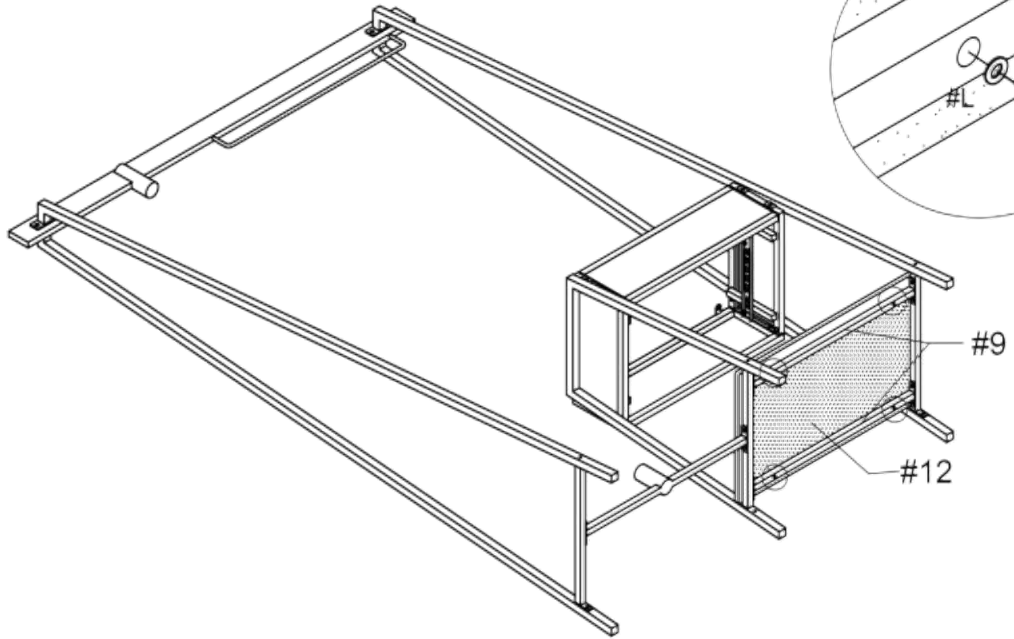
9

Part #12 x1pc

Hardware #B x4pcs

Hardware #L x4pcs

Align the bottom wood board (#12) to bottom cross bar (#9), then secure by using screws (#B) and washers (#L).

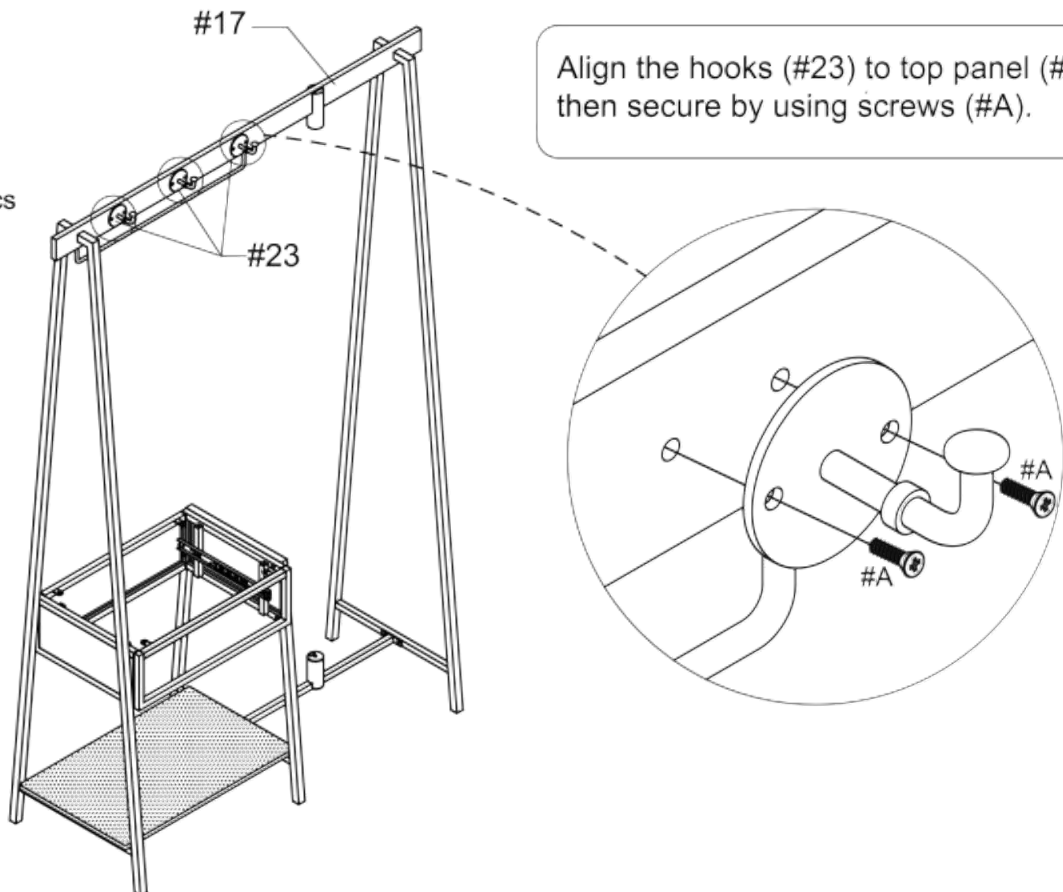


10

Part #23 x3pcs

Hardware #A x6pcs

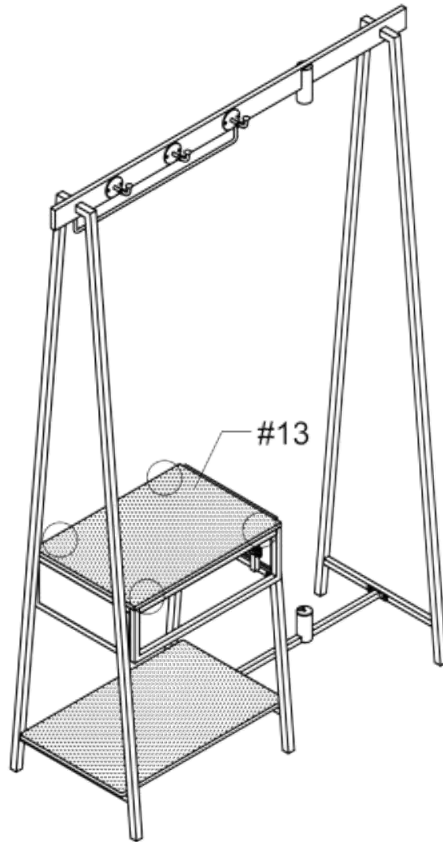
Align the hooks (#23) to top panel (#7), then secure by using screws (#A).



ASSEMBLY INSTRUCTIONS

11

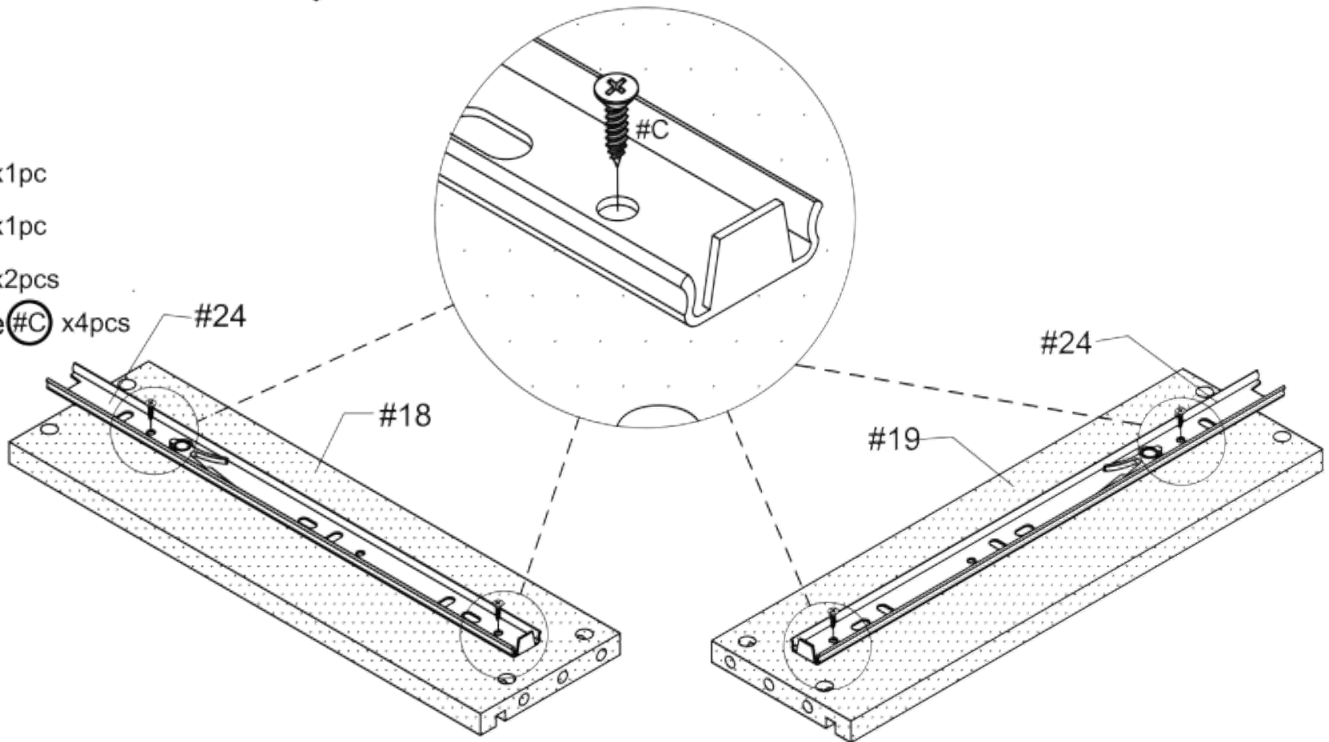
- Part #13 x1pc
- Hardware #G x4pcs
- Hardware #K x4pcs
- Hardware #M x1pc



Align the drawer top board (#13) to drawer frames (#14, #15), then secure by using bolts (#G) and washers (#K).

12

- Part #18 x1pc
- Part #19 x1pc
- Part #24 x2pcs
- Hardware #C x4pcs



Align the slides (#24) to drawer side boards (#18, #19), then secure by using screws (#C).

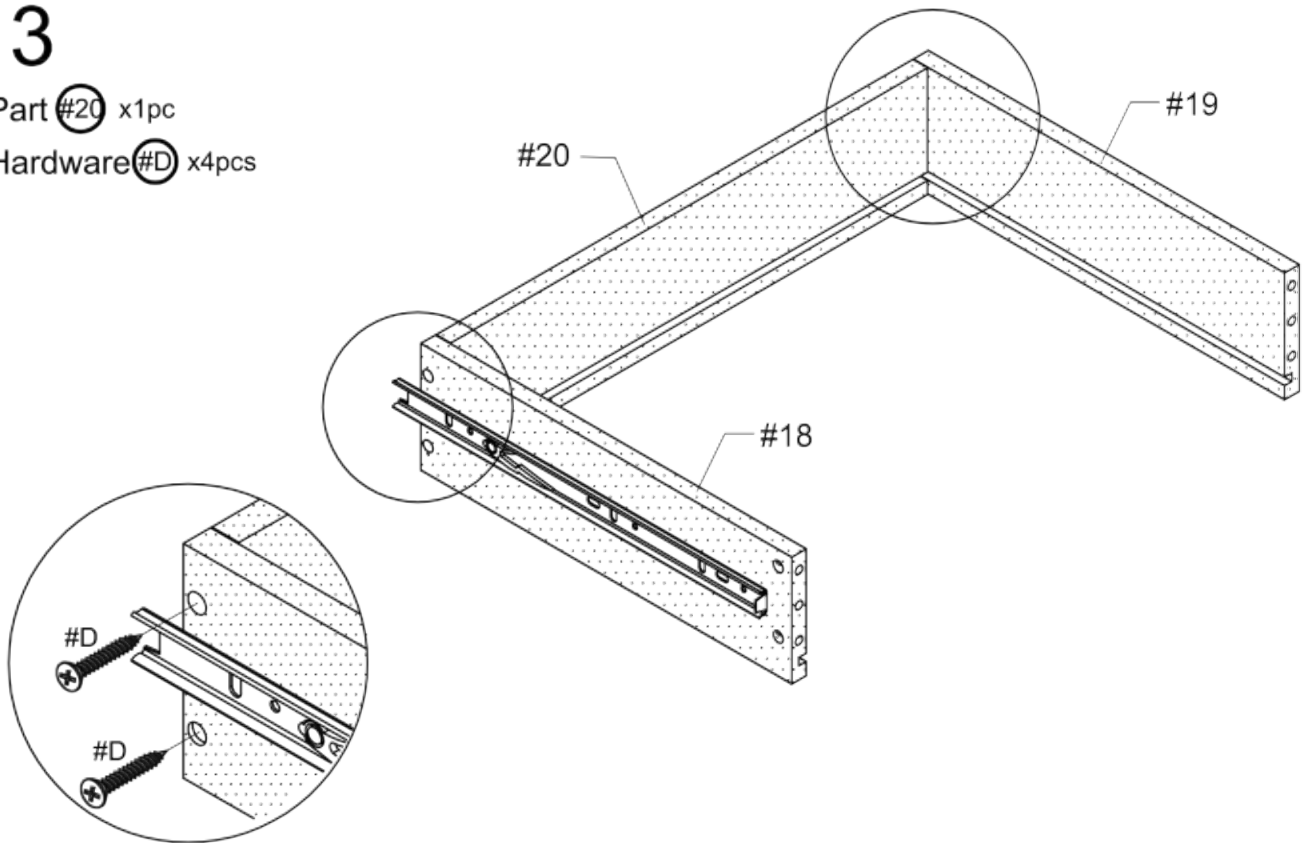
Remark: There are guiding holes has been prepared on the drawer side boards (#18, #19).

ASSEMBLY INSTRUCTIONS

13

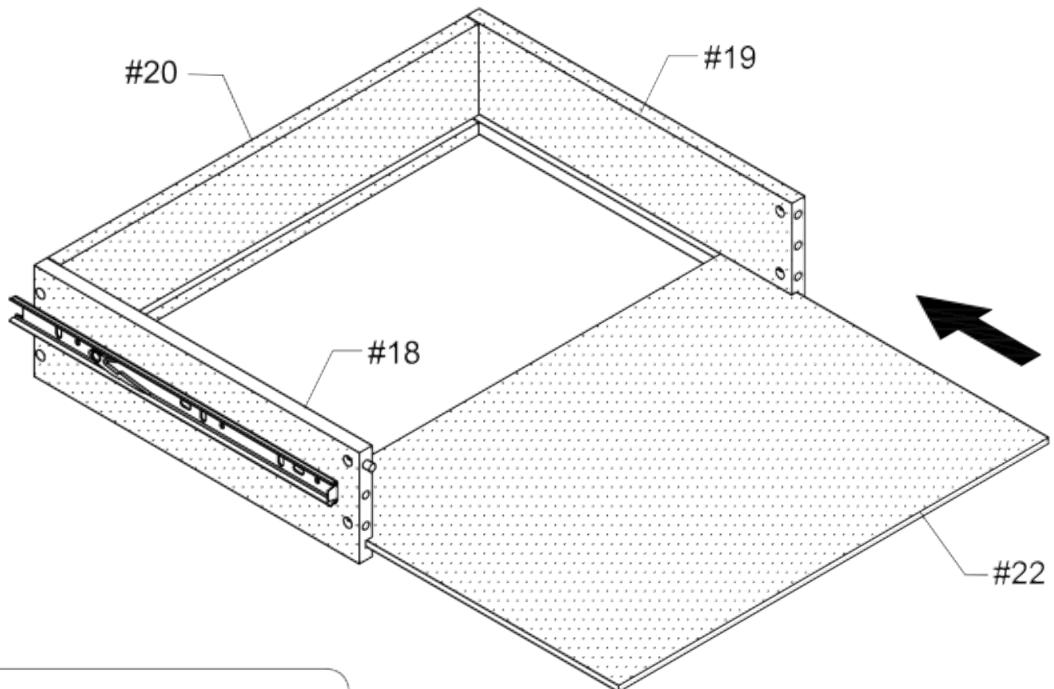
Part #20 x1pc

Hardware #D x4pcs



14

Part #22 x1pc



Align the drawer bottom board (#22) into drawer boards (#18, #19, #20).

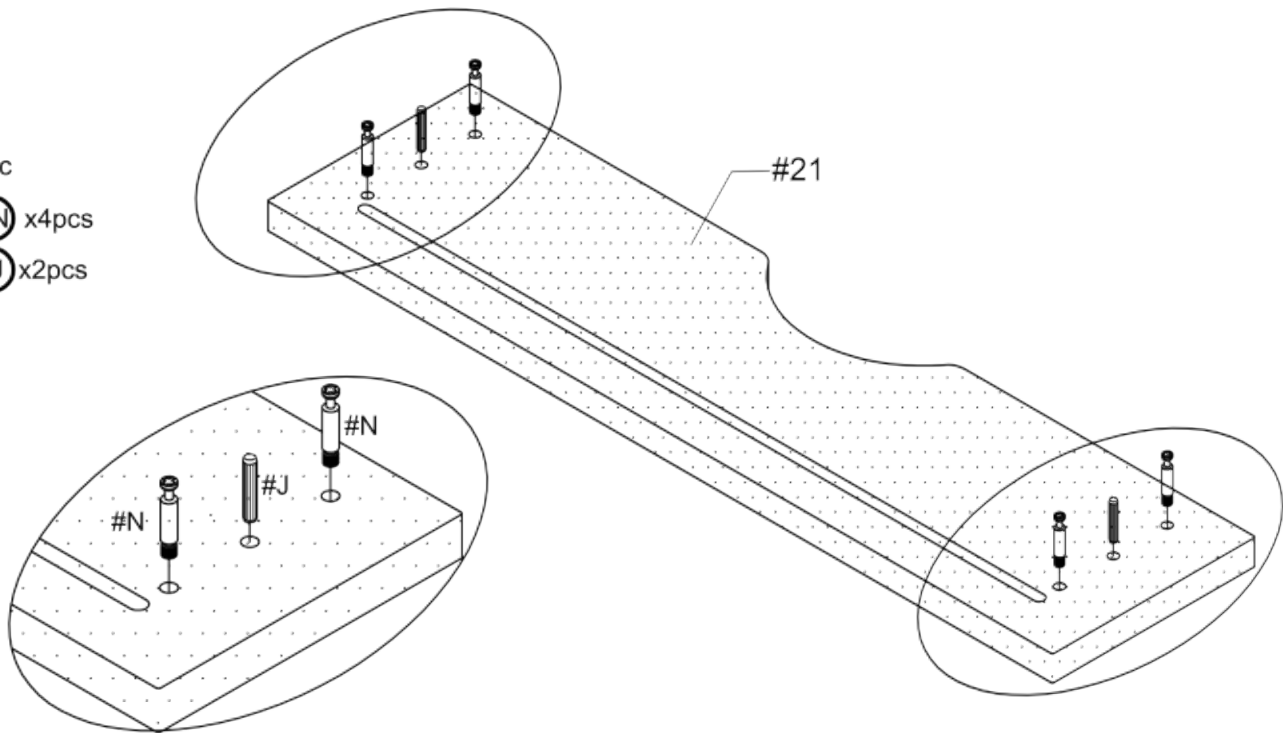
ASSEMBLY INSTRUCTIONS

15

Part #21 x1pc

Hardware #N x4pcs

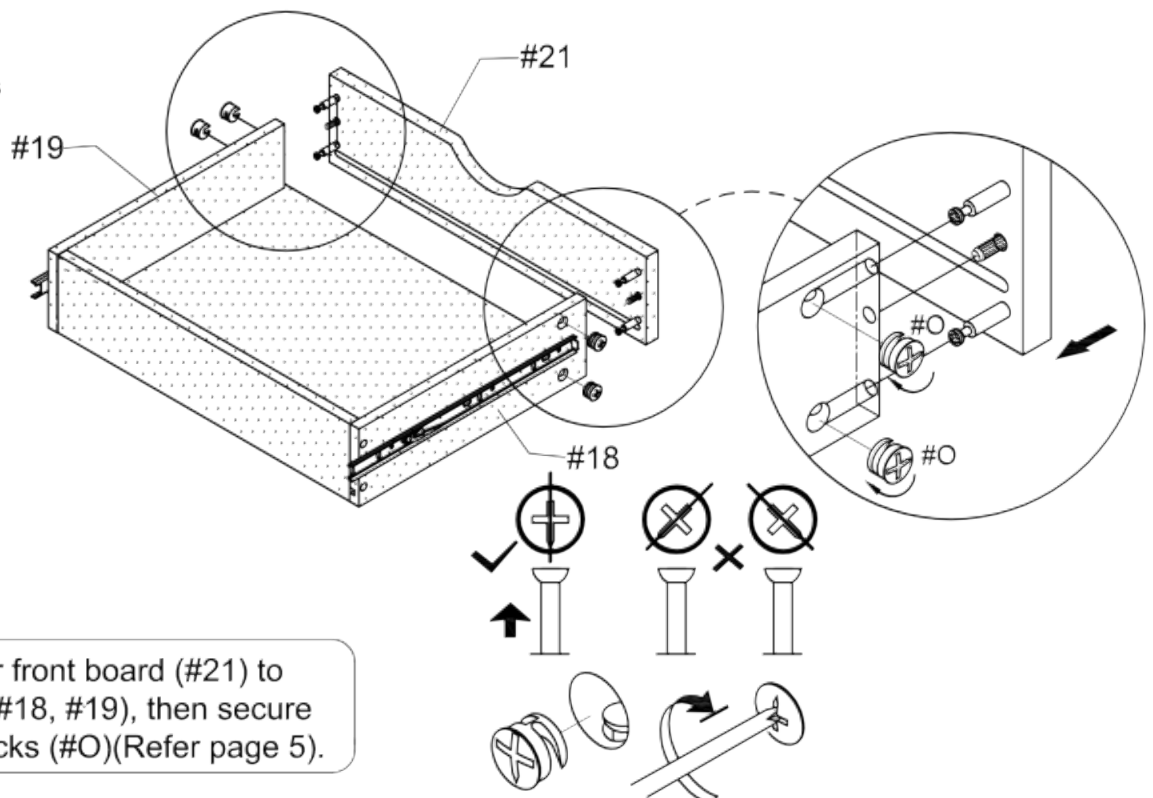
Hardware #J x2pcs



Align the cam bolts (#N), wooden tenon (#J) into drawer front board (#21).

16

Hardware #O x4pcs



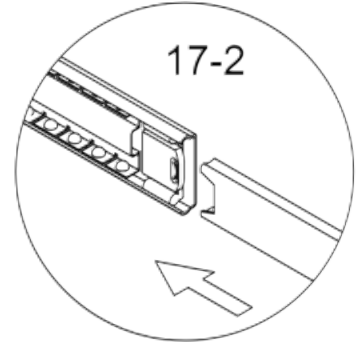
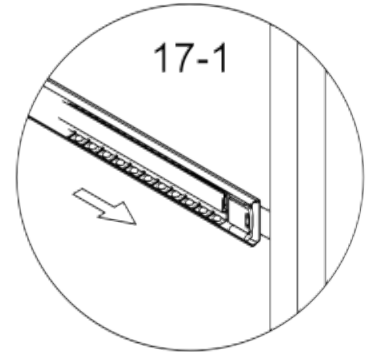
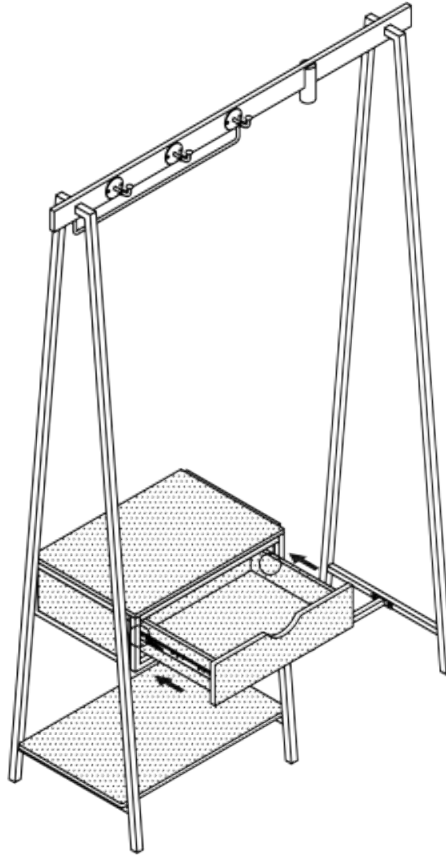
Align the drawer front board (#21) to drawer frames (#18, #19), then secure by using cam locks (#O)(Refer page 5).

ASSEMBLY INSTRUCTIONS

17

Reinserting Drawers

1. Moving slide ball spacers to front.
2. Holding drawer vertically, and sliding runners into ball spacers.

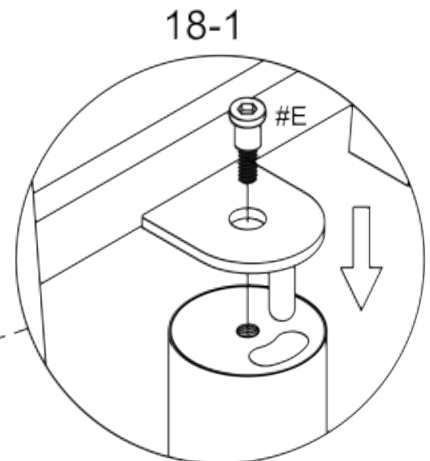
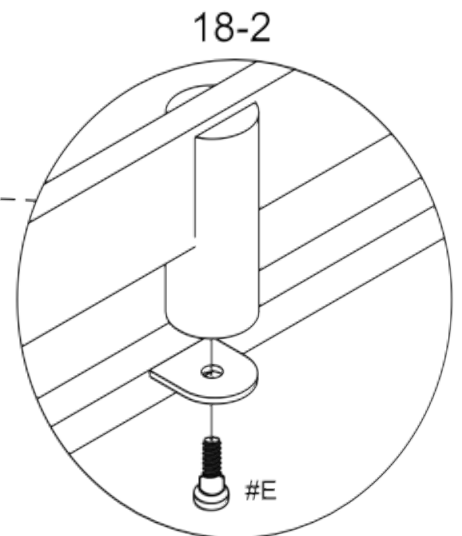
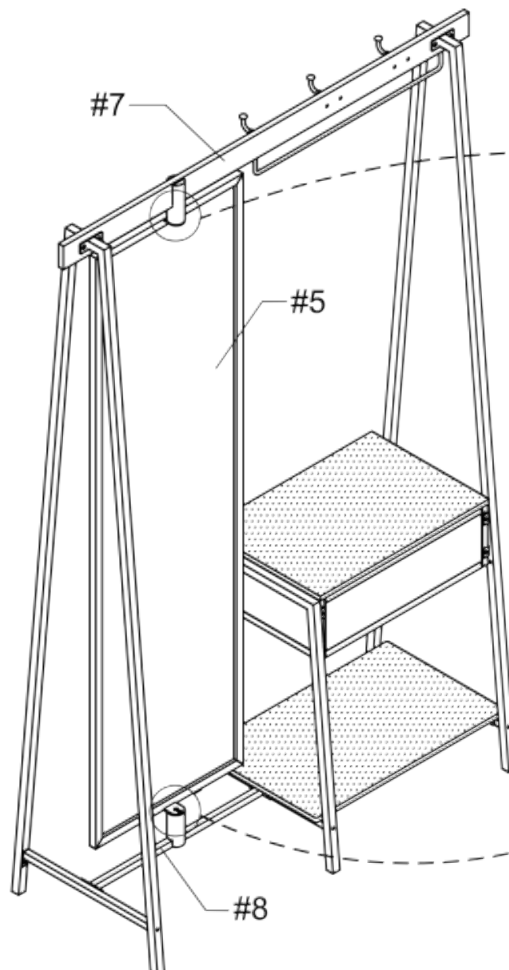


18

Part #5 x1pc

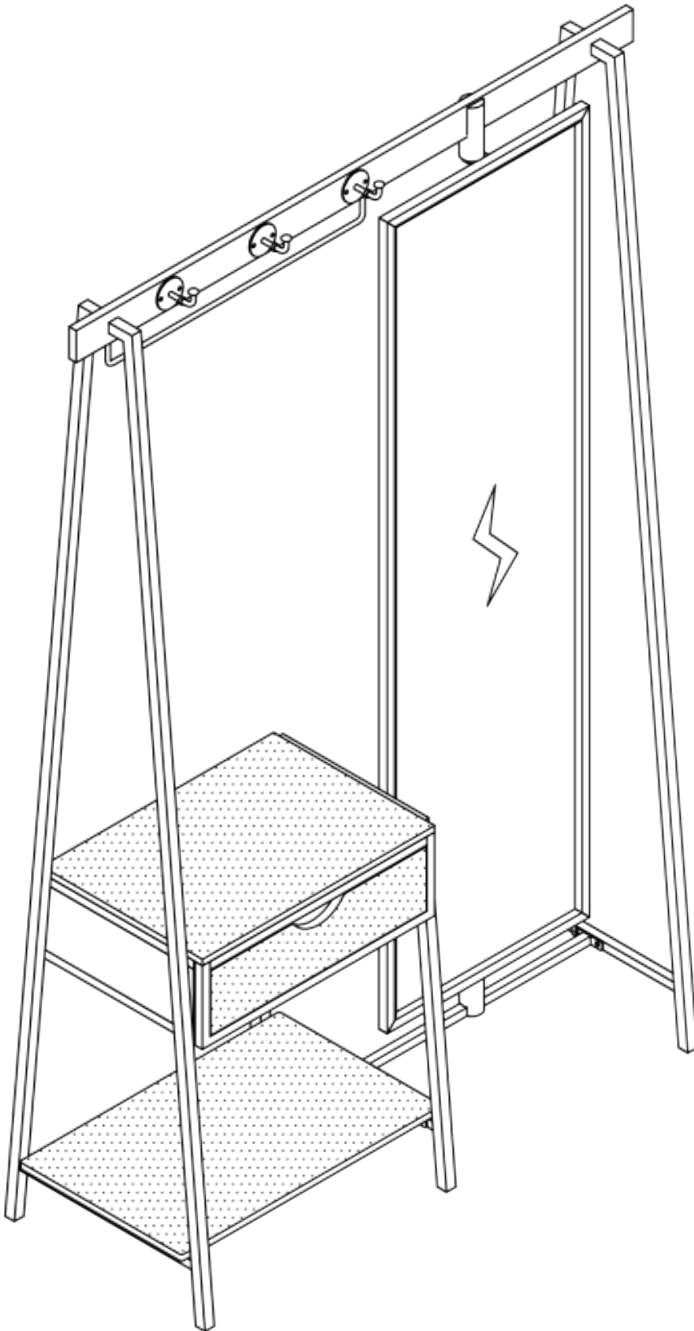
Hardware #E x2pcs

Align the mirror (#5) to panels (#7, #8), then secure by using bolts (#E).



ASSEMBLY INSTRUCTIONS

19



ASSEMBLY COMPLETED



Please ensure the furniture rests on an even and flat surface. If the product wobbles or feels loose, double-check all bolts and/or screws are properly tightened and secured.



Keep this handy!

Please retain this instruction manual and any order-related information for future reference.



Lift, don't drag!

To avoid damage to product please always LIFT the product when transporting or adjusting the placement.