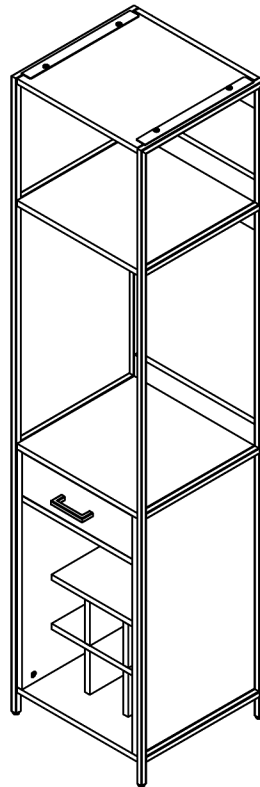


Assembly Instructions



ASSEMBLY RATING

The Assembly Rating is a 5-point system that shows the degree of effort needed in assembling a specific product (with 1 being easy and 5 being difficult). For some products, two persons are recommended.

EASY  DIFFICULT

Tools Required For Assembly:

Allen Wrench



(Included)

Phillips Screwdriver



(Not Included)

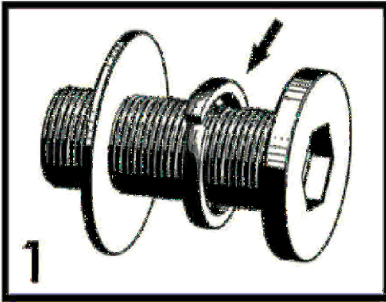


2 PERSONS RECOMMENDED

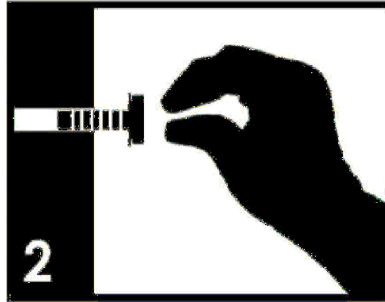
ASSEMBLY & CARE ADVICE

FOR YOUR FURNITURE TO LAST, CORRECT ASSEMBLY AND PROPER MAINTENANCE ARE NECESSARY. PLEASE FOLLOW THE INFORMATION PROVIDED BELOW TO FULLY ENJOY YOUR FURNITURE.

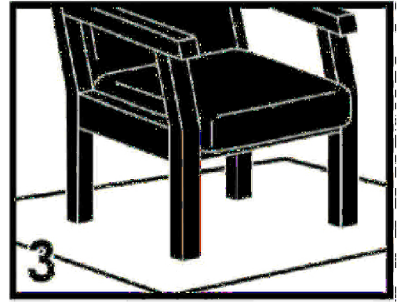
BASIC ASSEMBLY TECHNIQUES



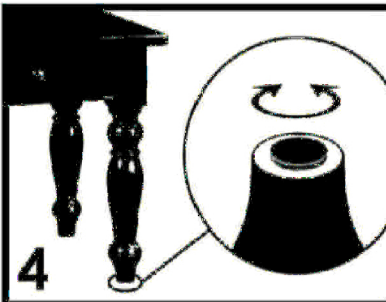
1
When lock or spring washer is used in an assembly, please make sure the lock or spring washer is placed between the larger flat washer and the head of the screw or bolt.



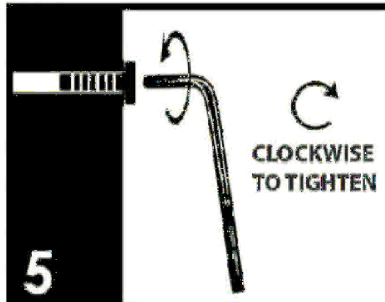
2
Position each part correctly and insert screws or bolts into their respective holes by hand tighten or using the proper hand tool. Only tighten when step is completed or when instructed to do so.



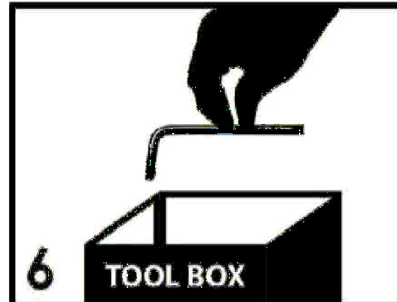
3
Use cardboard or carpet area when assembling furniture to prevent scratches. Make sure the furniture rests on a flat and level surface with each leg evenly touching the floor. No dragging of products/parts.



4
Some furniture comes with height adjustment knobs underneath each leg. To lower or to raise each leg, you need to turn clockwise or counterclockwise, respectively.



5
Make sure all parts are properly aligned, then use the appropriate hand tool to completely tighten the bolts or screws. Do not use power tools and do not over-tighten.



6
Save the instructions and store the Allen wrench or any supplied tool for later maintenance. After two weeks, check and tighten any loose hardware and repeat again every six months thereafter.

IT IS THE USER'S RESPONSIBILITY TO MAINTAIN THE FURNITURE. THE HARDWARE MAY LOOSEN OVER TIME AND MAY CAUSE THE FURNITURE TO BE WOBBLY AND UNABLE TO SUPPORT ITS INTENDED WEIGHT CAPACITY. THIS MAY LEAD TO COLLAPSE AND MAY CAUSE SERIOUS INJURY.



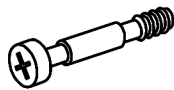
FAILURE TO FOLLOW THE GUIDELINES ABOVE MAY RESULT IN INJURY AND/OR PROPERTY DAMAGE.

Cam Lock Fastener Assembly

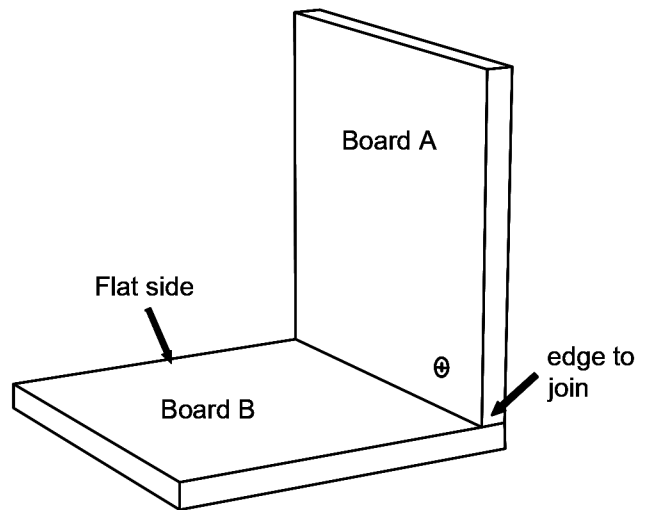
Cam Lock are fasteners used to join two boards together, usually the edge of one board (A) to the flat side of another board (B).



Cam Lock

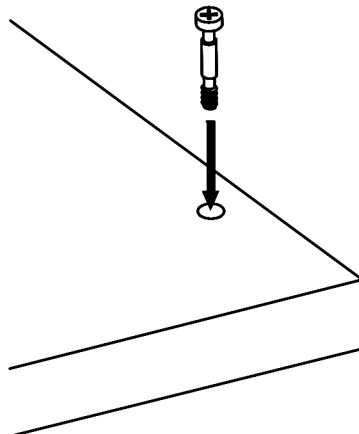


Cam Pin

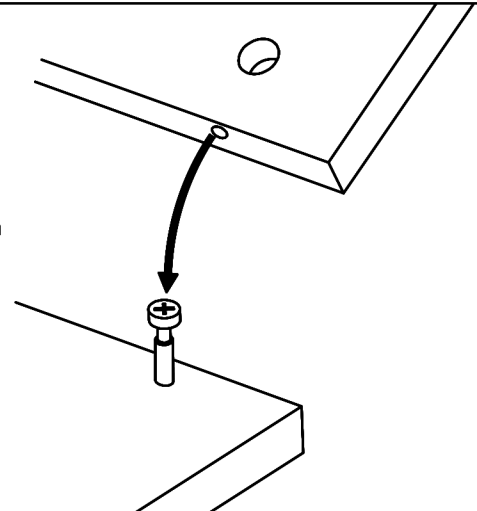


To use Cam Lock Fasteners:

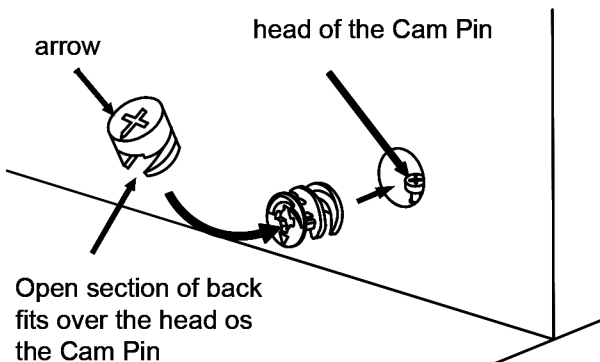
Step 1 - Insert cam Pin into the flat side of a board. Tighten only until snug. Do not over-tighten



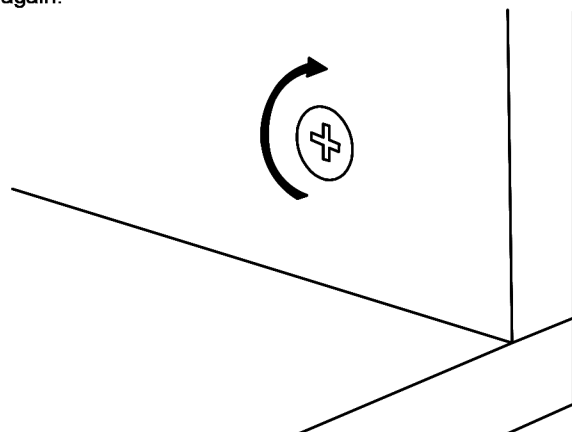
Step 2 - Fit the hole in the edge of the joining board over the Cam Pin. The head of the Cam Pin will be visible in the large hole in the side of the joining board, as in Step 3.

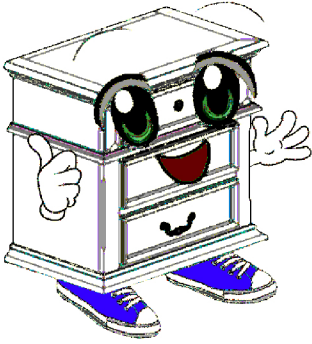


Step 3 - Notice the Cam Lock has a "C" -Shaped back. An arrow on the front points the same direction as the open section. Insert the Cam Lock into the large hole so the opening of the "C" fits over the head of the Cam Pin.



Step 4 - Use a flat screwdriver to turn the Cam Lock clockwise on half a turn so it locks onto the head of the Cam Pin. Turn only until it is snug - over-tightening could cause the Cam to bend or break. If it will not turn the full amount, turn the Cam Pin out (counter- clockwise) one full turn, and try the Cam Lock again.



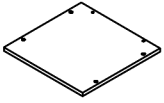
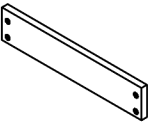
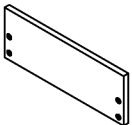
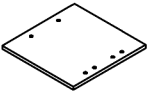
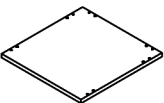
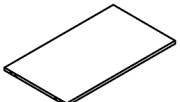
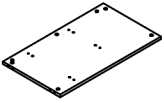
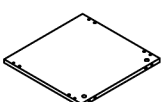







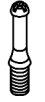


Before you begin, please read Page 2 of "Assembly and Care Advice".

And remember, do not tighten until each step is completed or instructed.

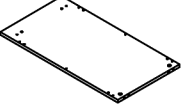
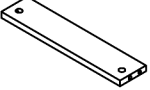
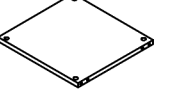
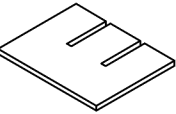
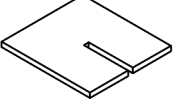
Parts List

Hardware List


-  #1 x 1pc
Shelf Panel
-  #2 x 1pc
Top Back Panel
-  #3 x 1pc
Lower Back Panel
-  #4 x 1pc
Top Panel
-  #5 x 1pc
Bottom Panel
-  #6 x 1pc
Left Side Panel
-  #7 x 1pc
Right Side Panel
-  #8 x 1pc
Upper Panel

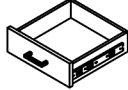


-  #A x 2pcs
Hold Set
-  #B x 28pcs
Bolts $\text{Ø}1/4\text{"x}1/2\text{"x}\text{Ø}15$
-  #C x 6pcs
Bolts $\text{Ø}1/4\text{"x}1/2\text{"}$
-  #D x 26pcs
Wood Dowels $\text{Ø}8\text{x}30\text{mm}$
-  #E x 24pcs
Cam Lock
-  #F x 24pcs
Cam Pin
-  #G x 24pcs
Plastic Cap
-  #H x 2pcs
Allen Wrench M4

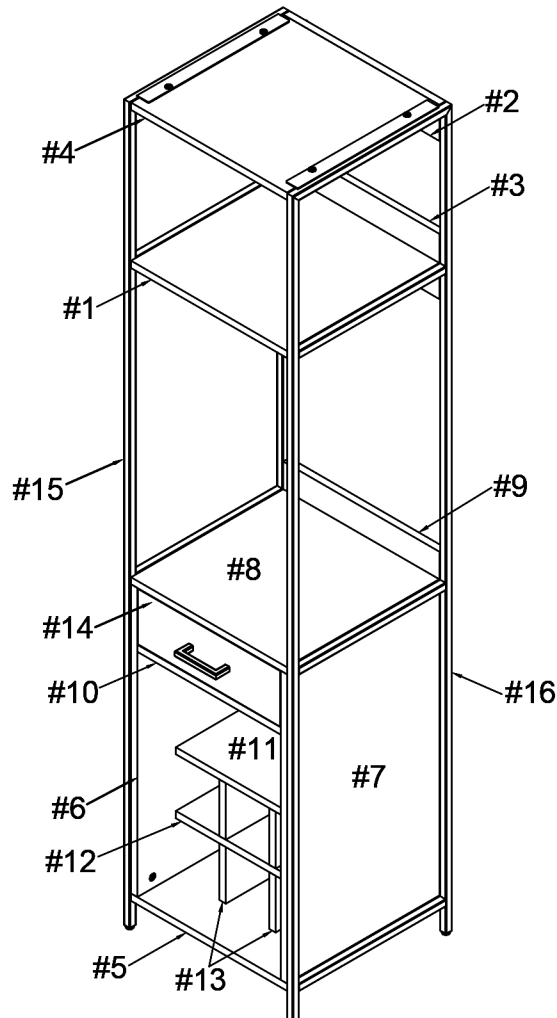
Parts List

- 
#9 x 1pc
Back Panel
- 
#10 x 1pc
Upper Shelf Panel
- 
#11 x 1pc
Lower Shelf Panel
- 
#12 x 1pc
Horizontal Wine Rack Panel
- 
#13 x 2pcs
Vertical Wine Rack Panels

Hardware List

- 
#1 x 2set
Anti-Tip Kit

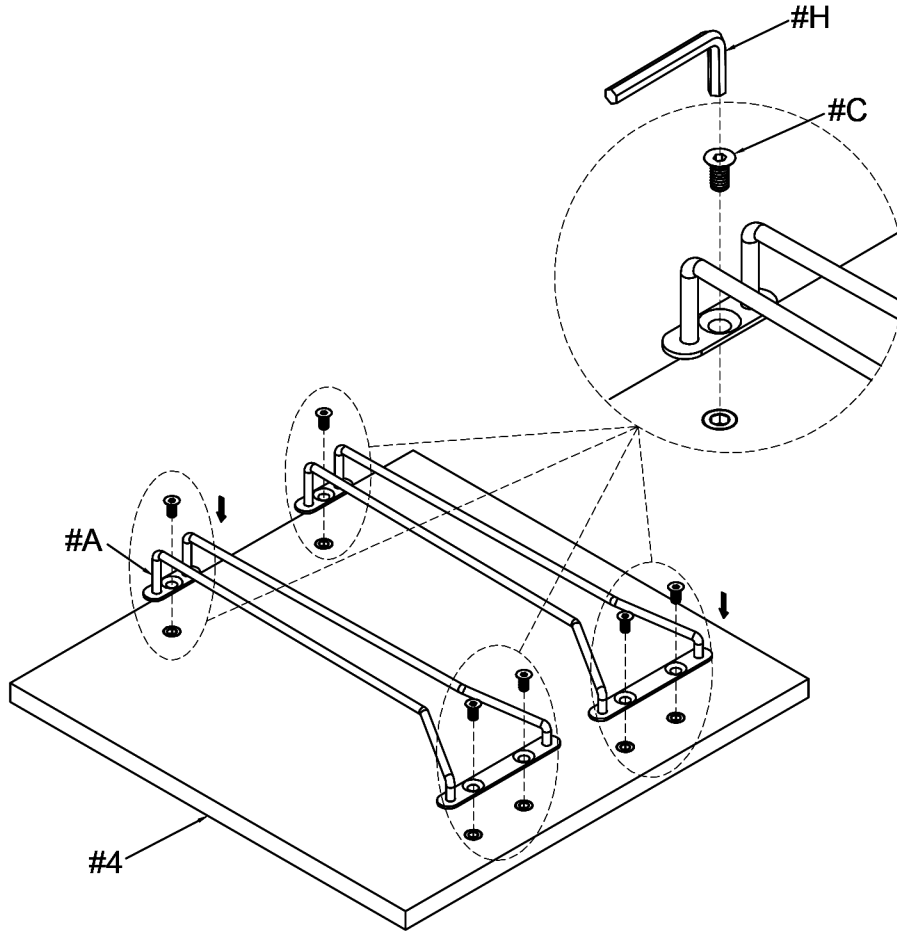
- 
#14 x 1pc
Drawer
- 
#15 x 1pc
Left Side Frame
- 
#16 x 1pc
Right Side Frame





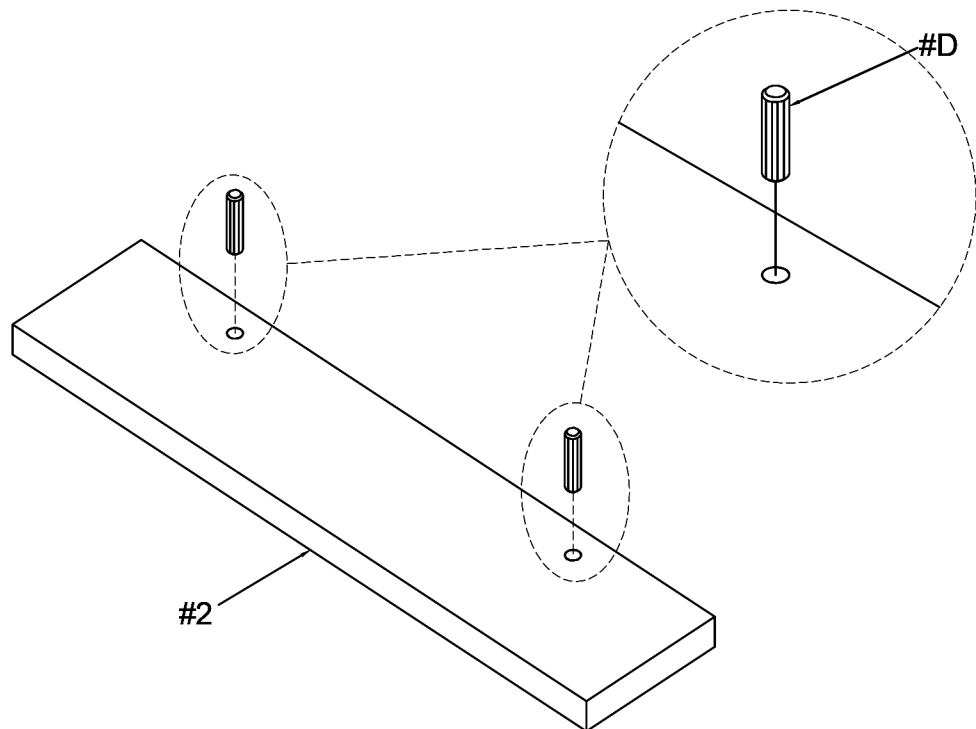
#1

#A x 2pcs
#C x 6pcs



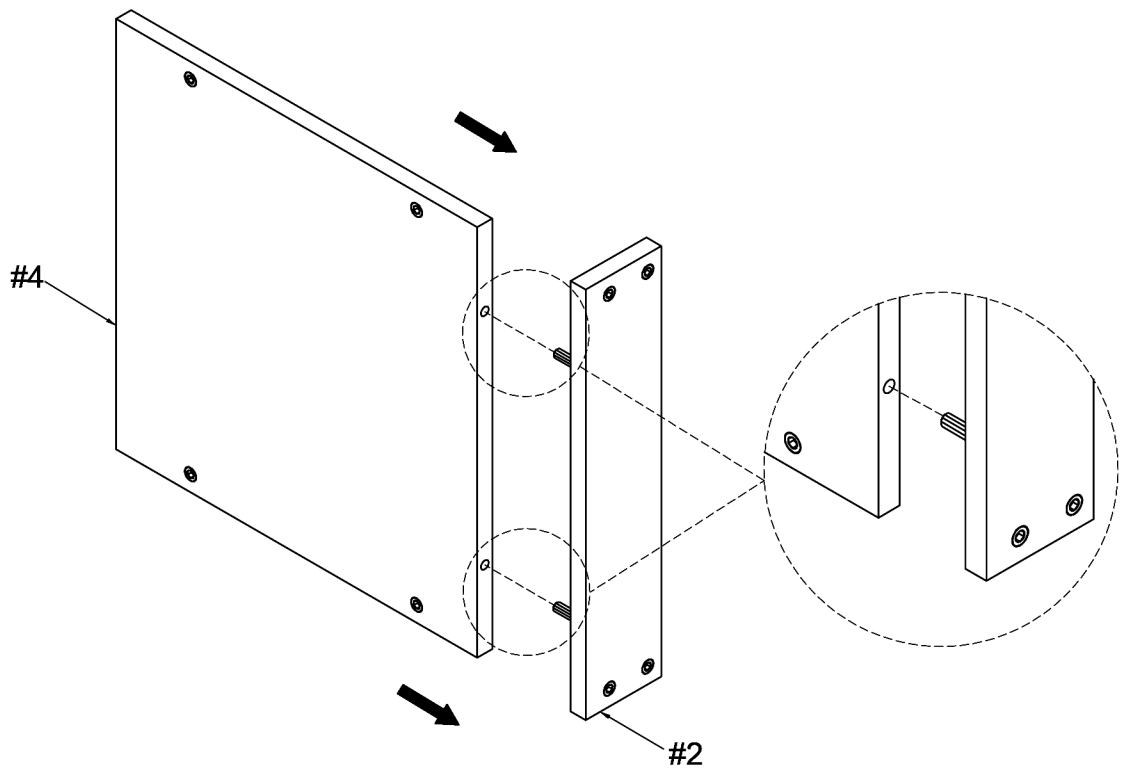
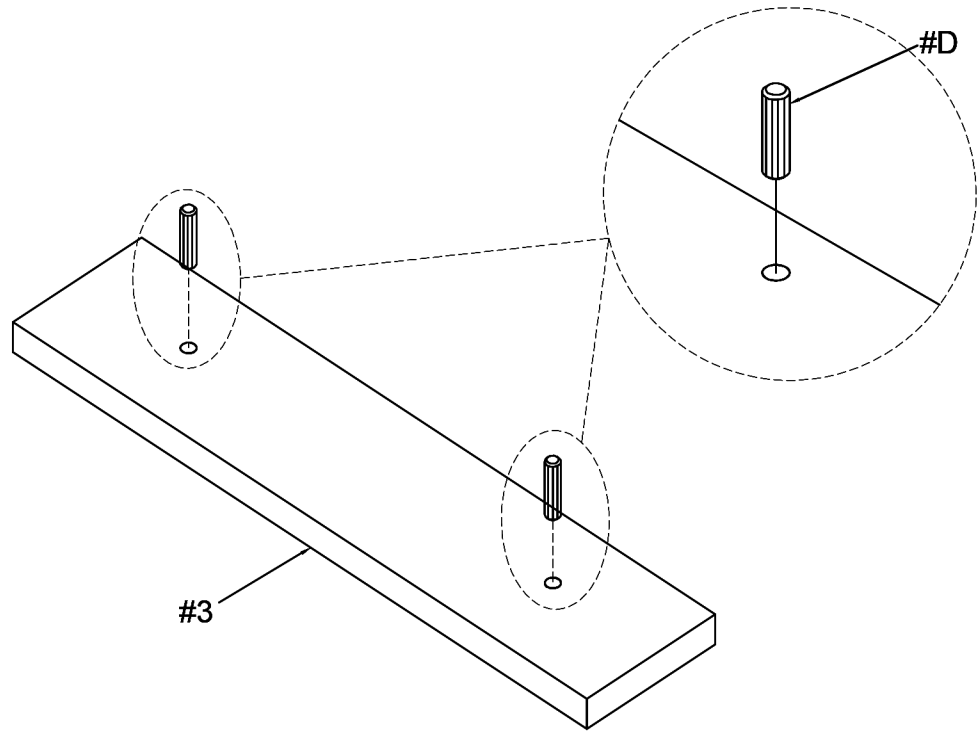
#2

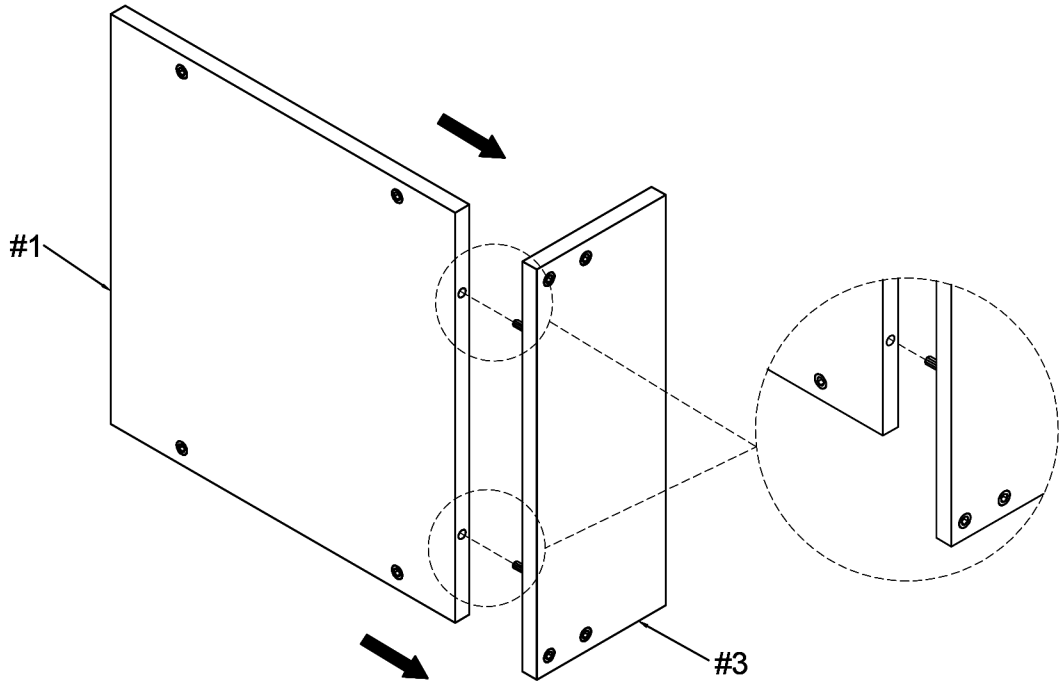
#D x 2pcs



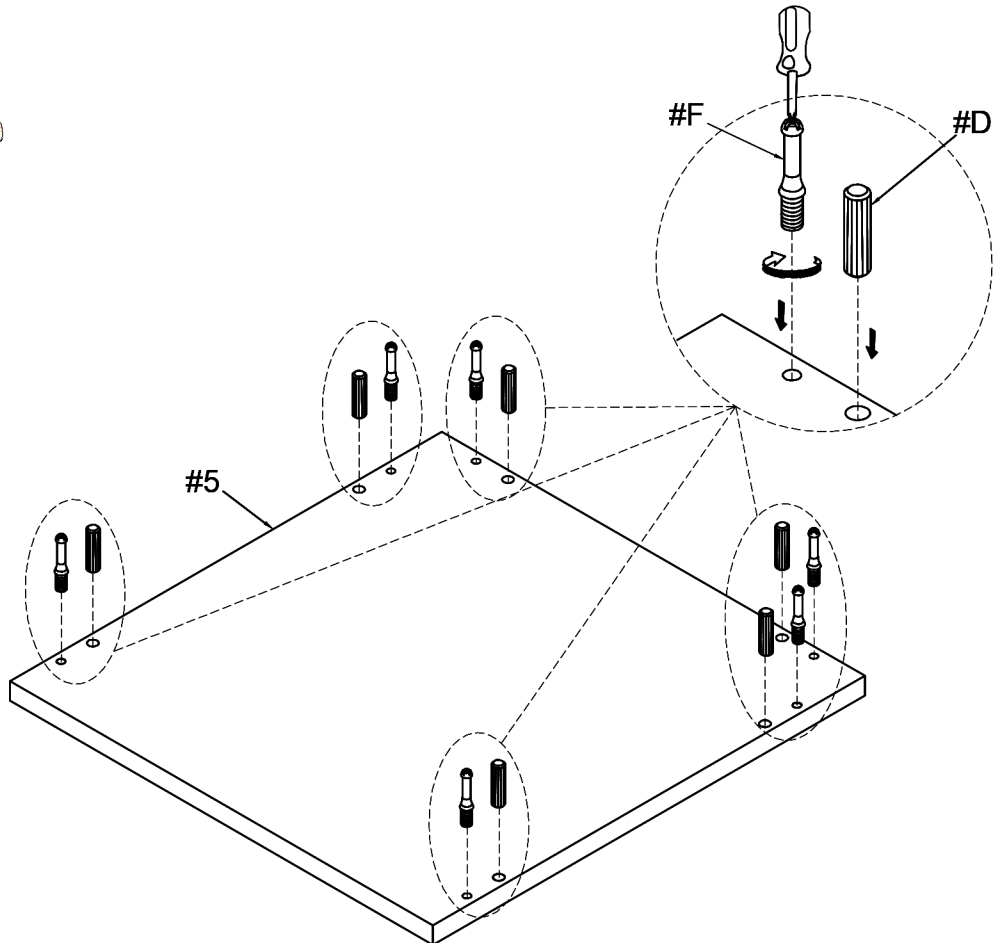


#D x 2pcs



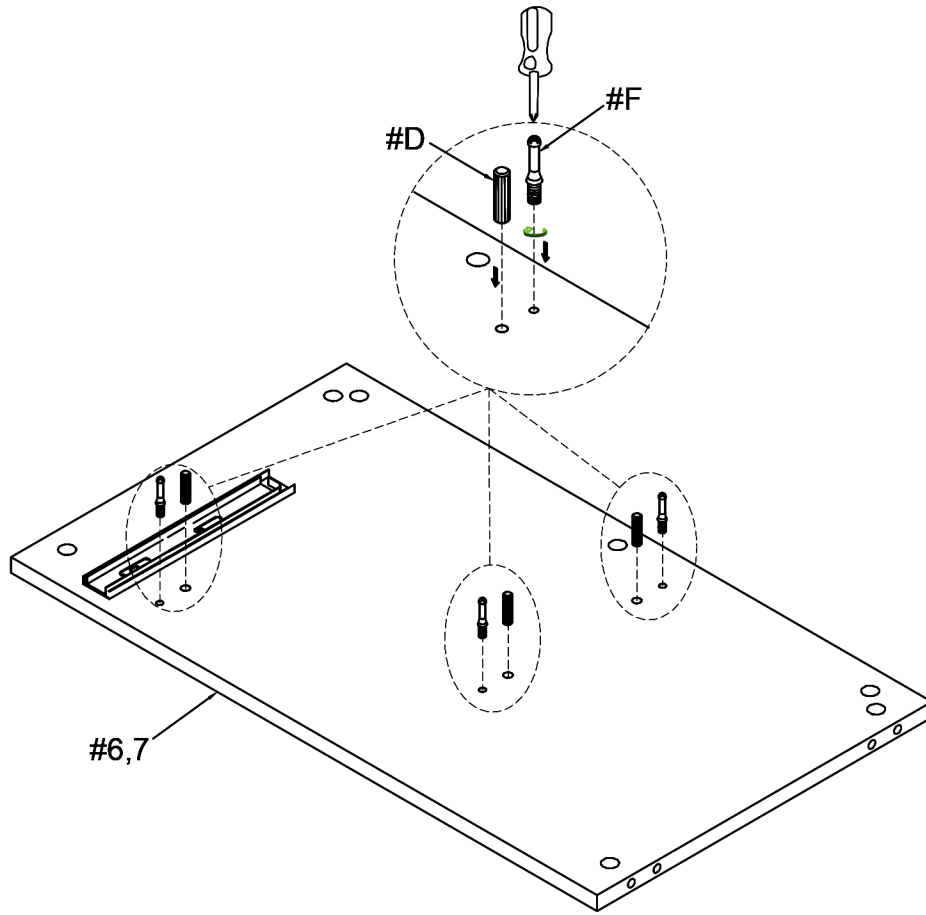


#D x 6pcs
#F x 6pcs

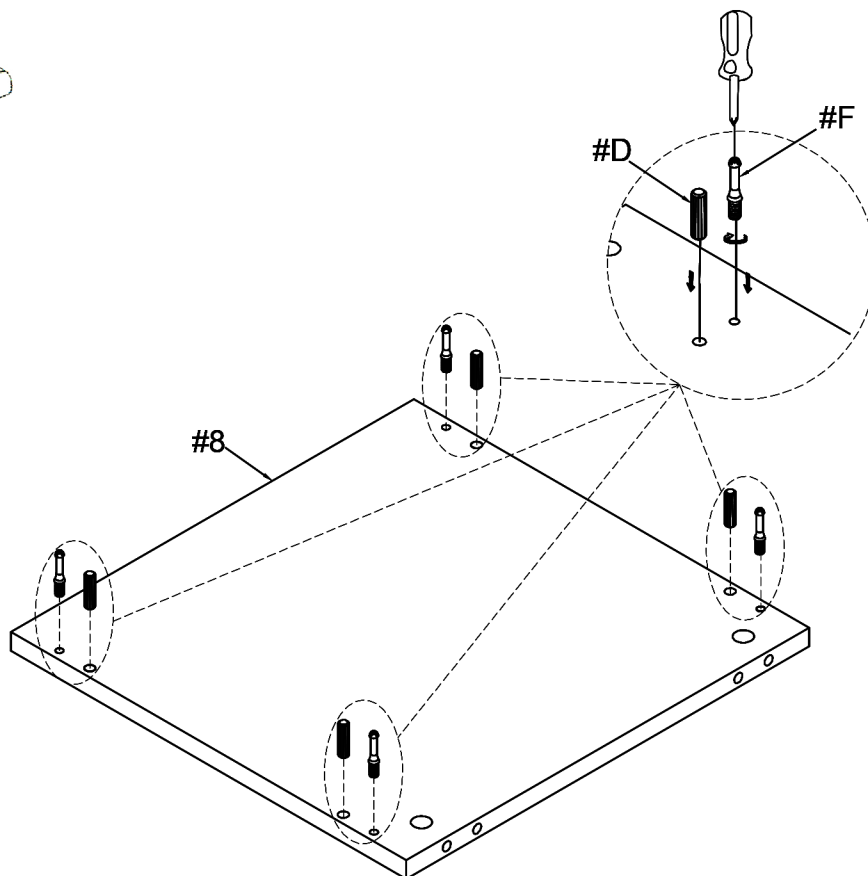




#D x 6pcs
#F x 6pcs



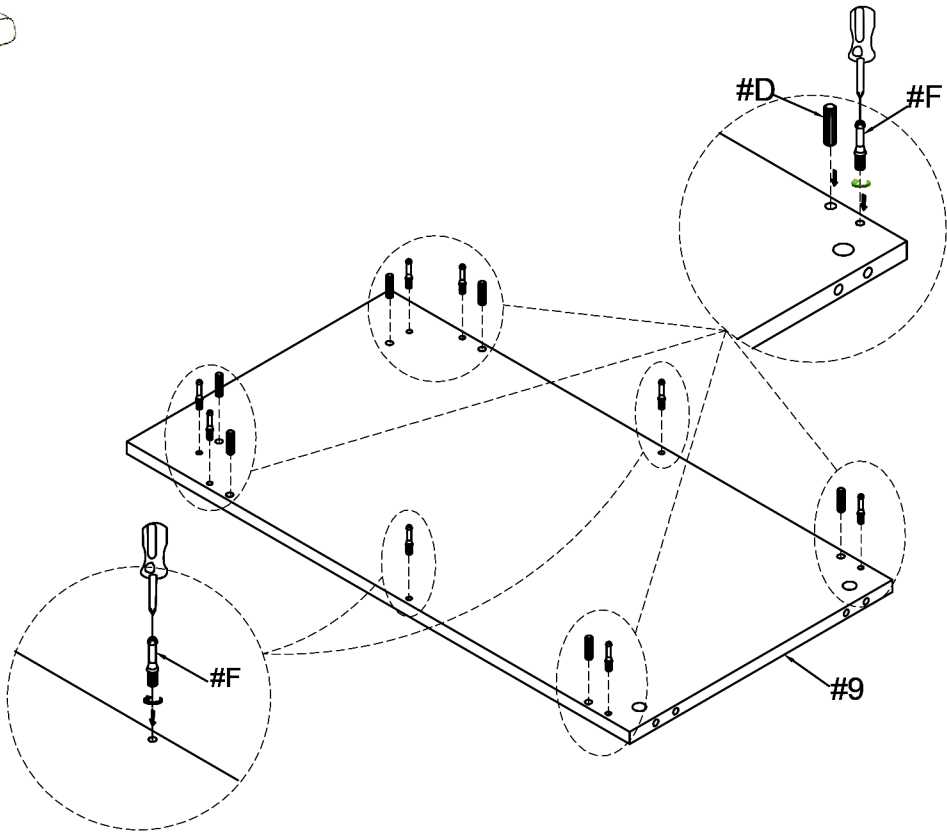
#D x 4pcs
#F x 4pcs





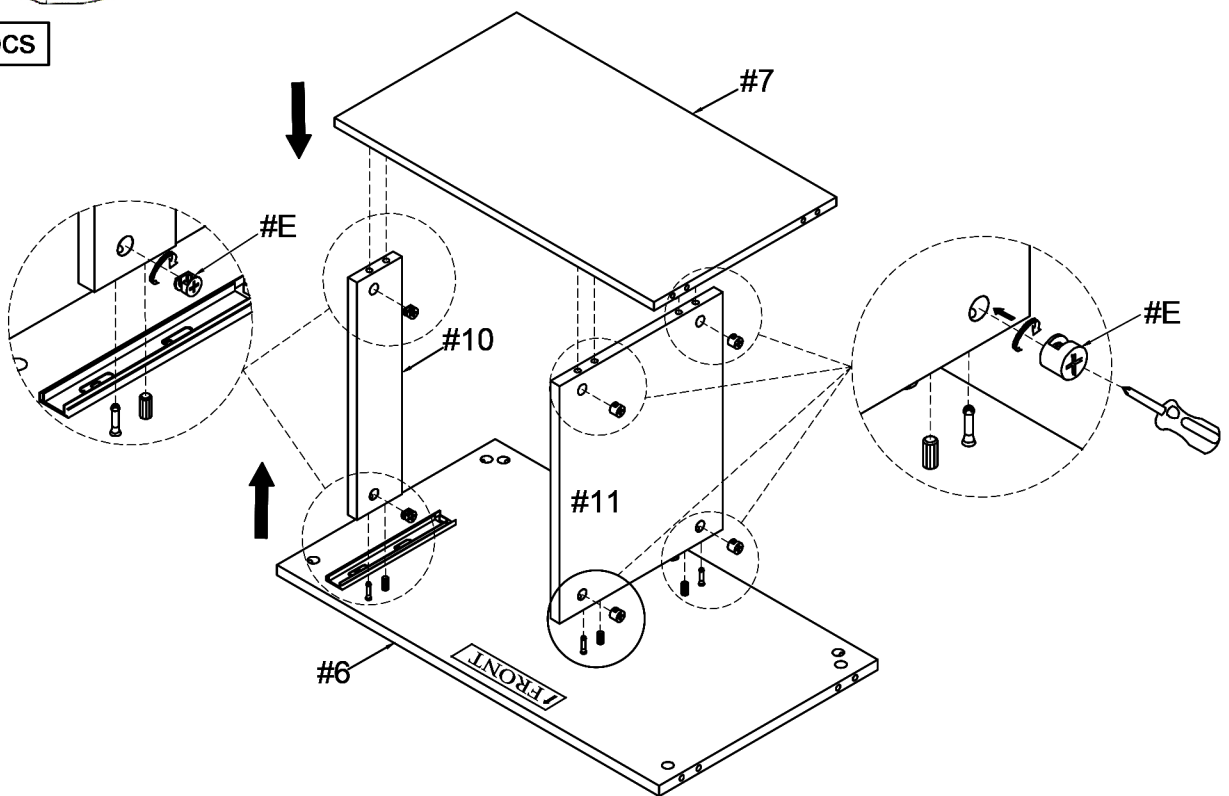
#9

#D x 6pcs
#F x 8pcs



#10

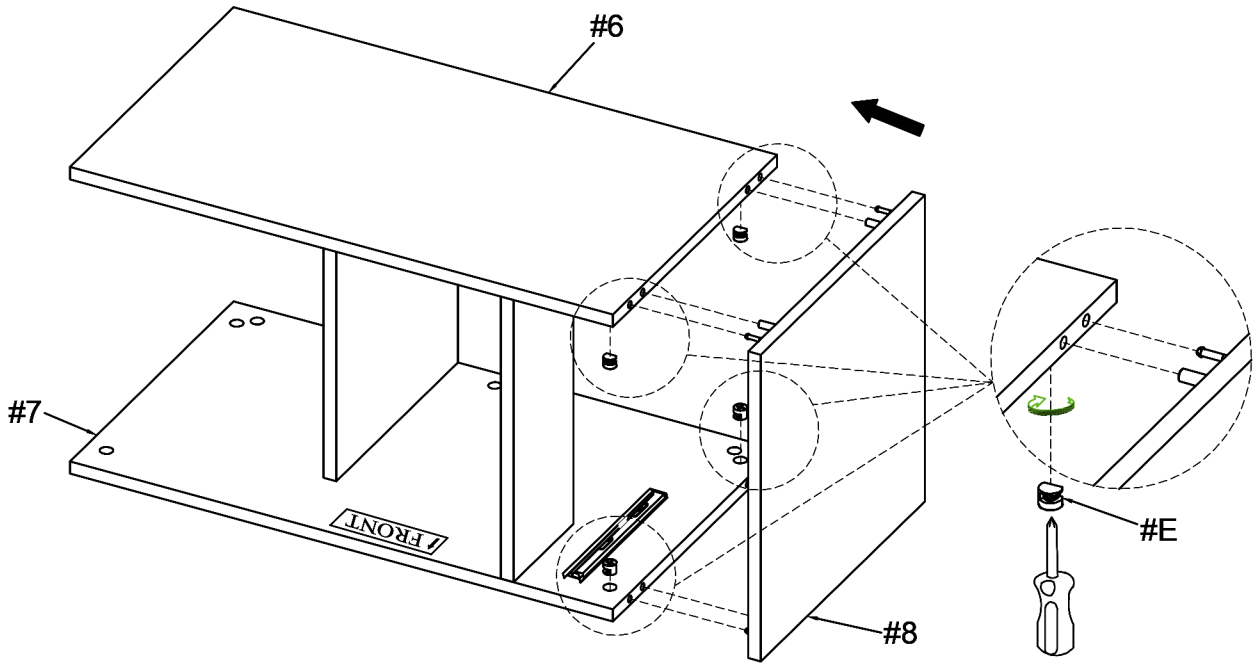
#E x 6pcs





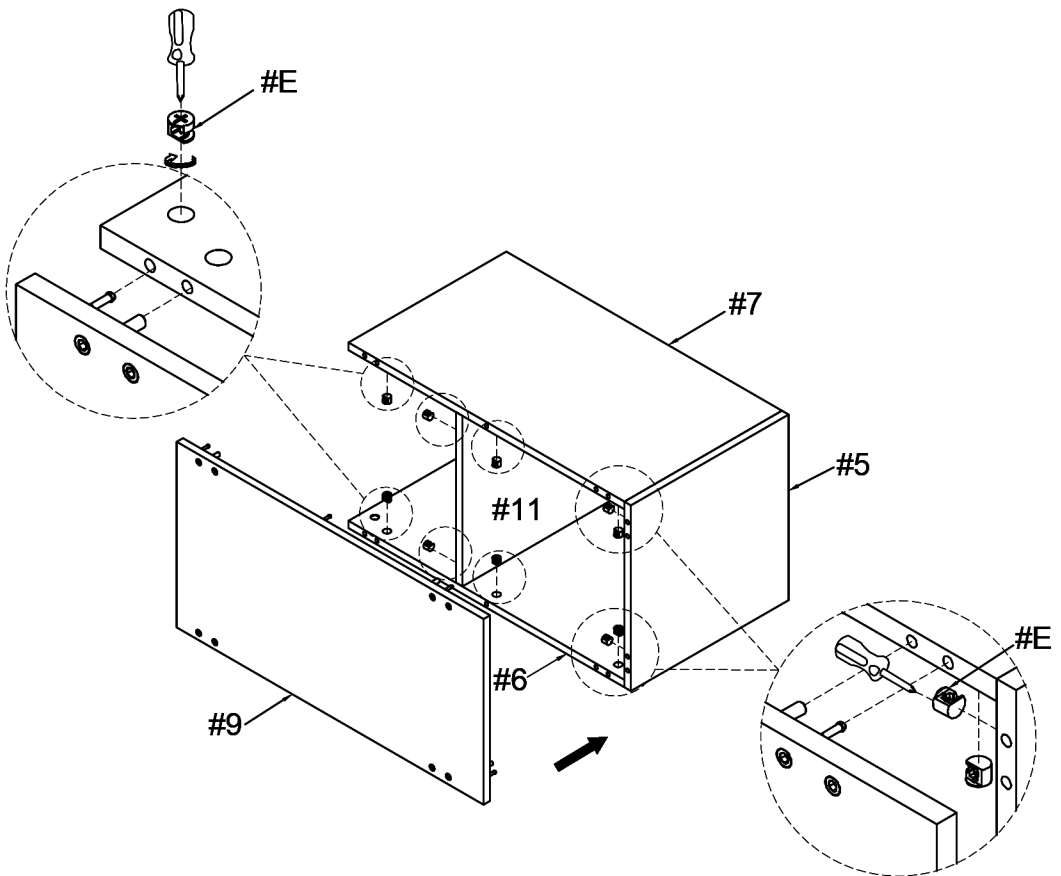
#11

#E x 4pcs



#12

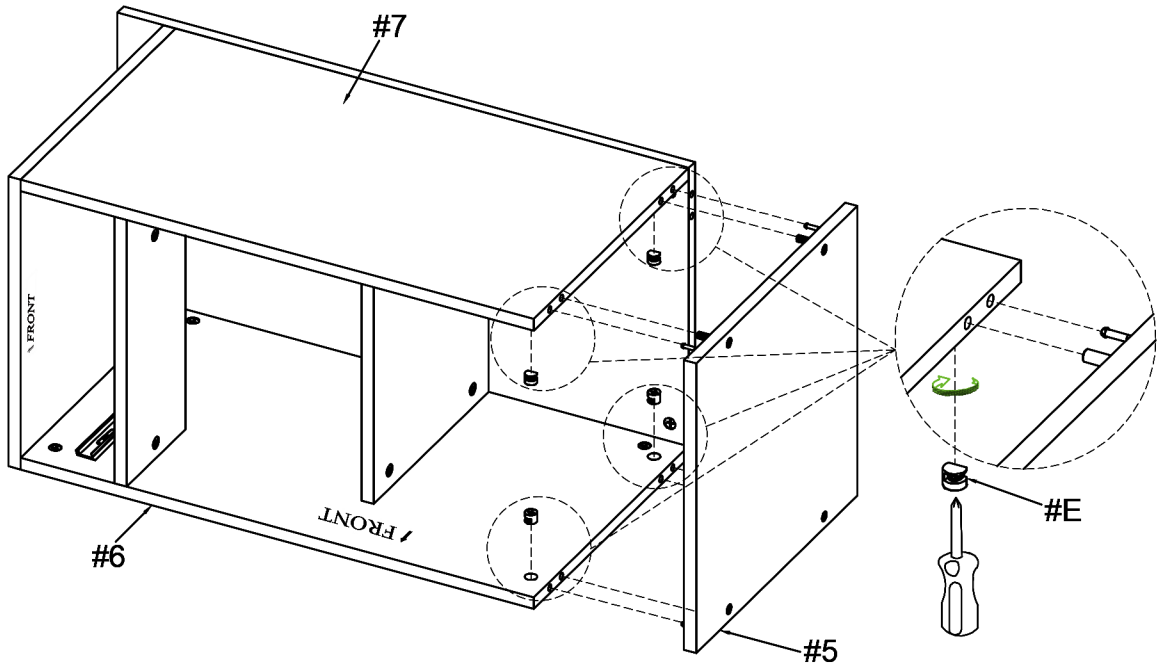
#E x 10pcs





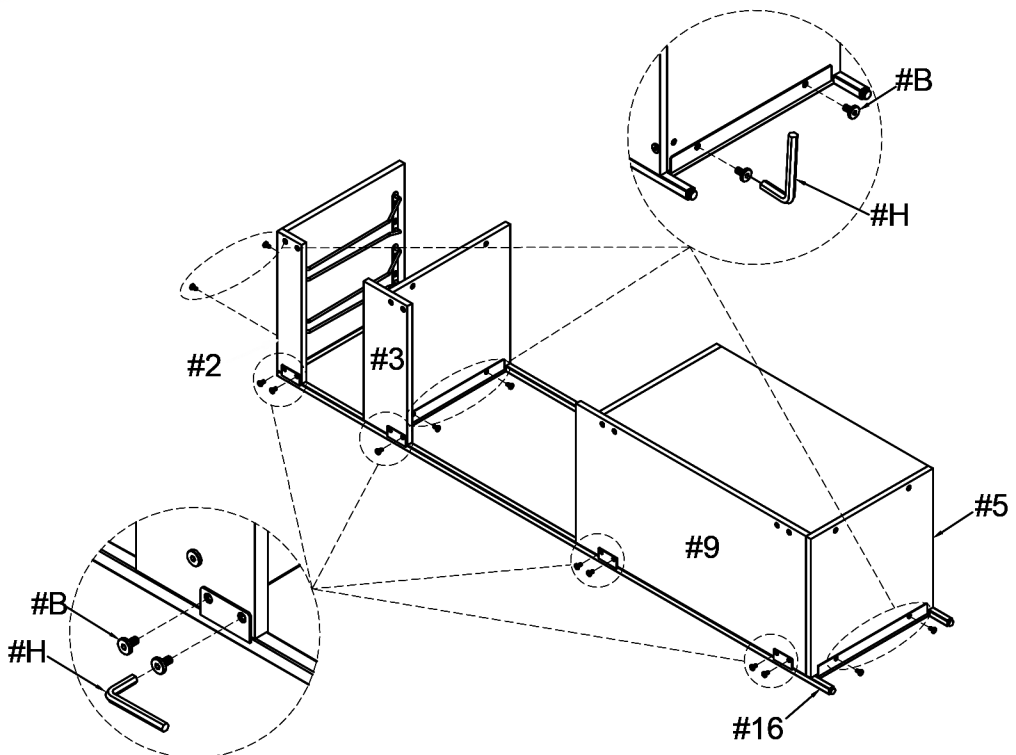
#13

#E x 4pcs



#14

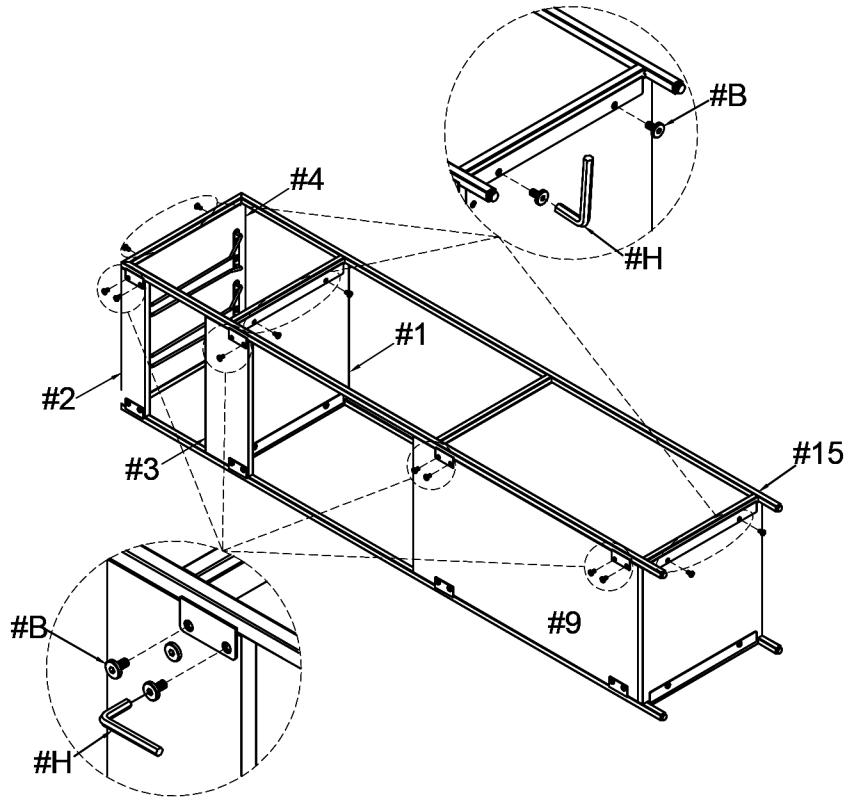
#B x 13pcs



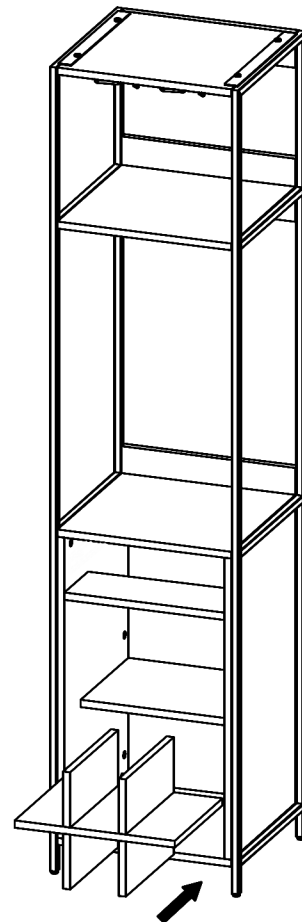
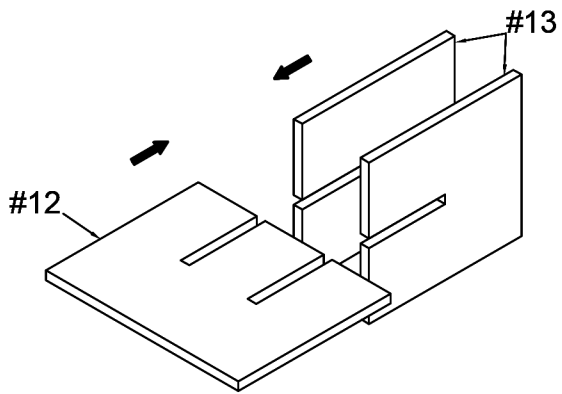


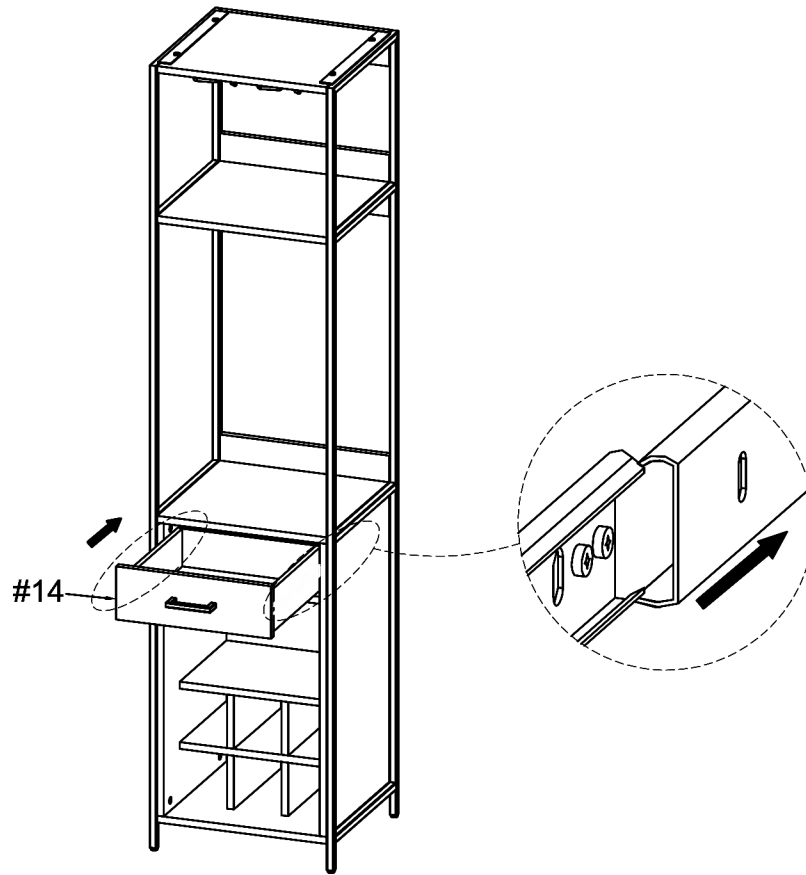
#15

#B x 13pcs

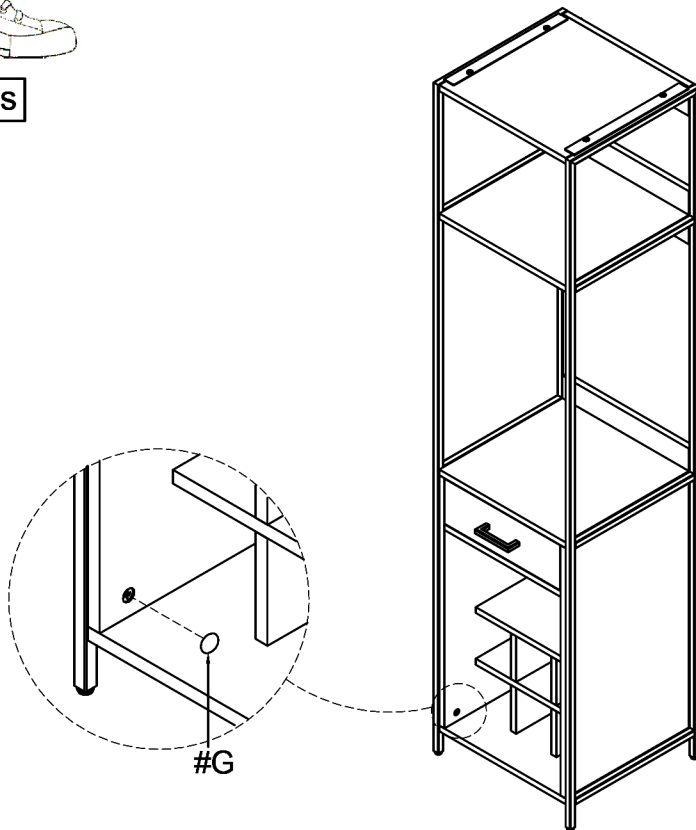


#16



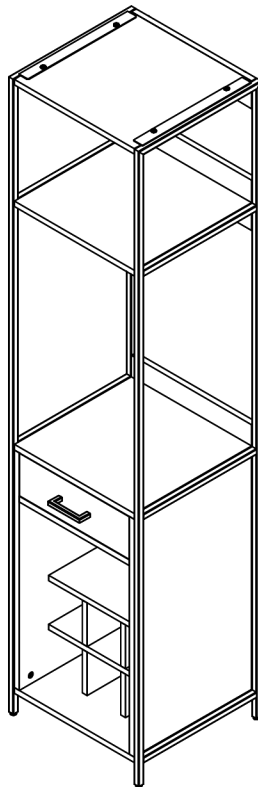
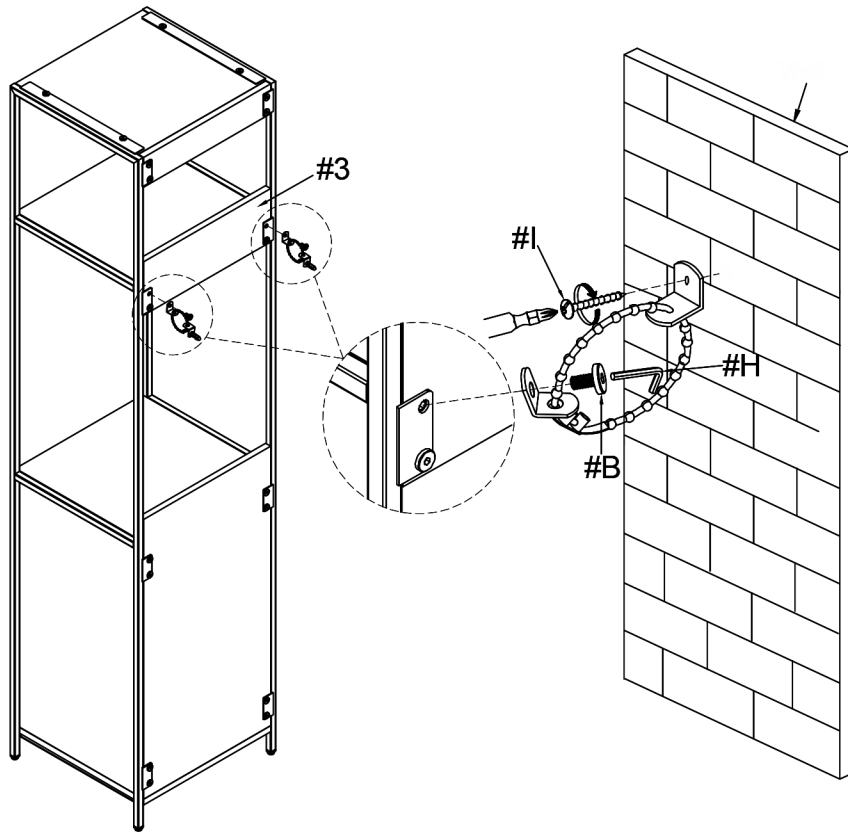


#G x 24pcs





#B x 2pcs
#I x 2set



ASSEMBLY IS COMPLETED