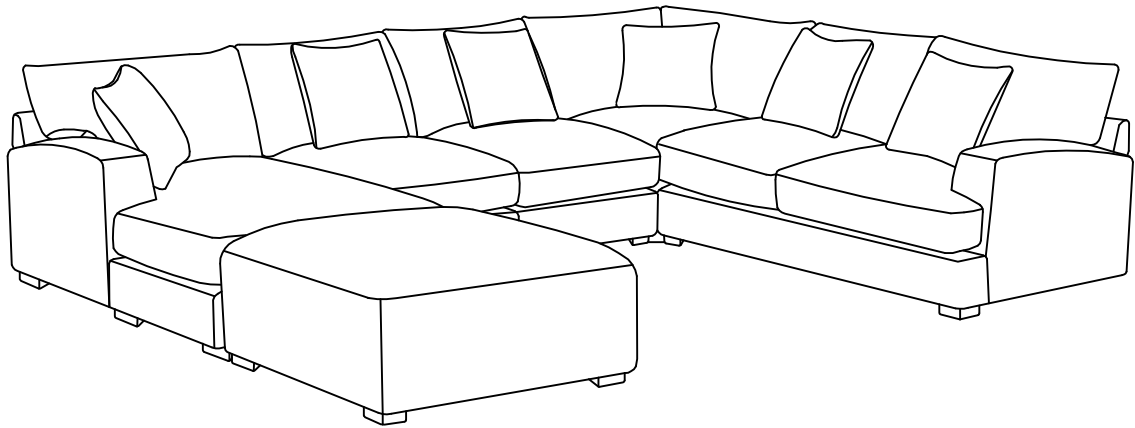


Assembly Instructions



ASSEMBLY RATING

The Assembly Rating is a 5-point system that shows the degree of effort needed in assembling a specific product (with 1 being easy and 5 being difficult). For some products, two persons are recommended.

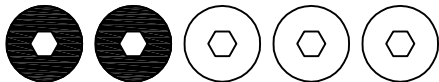
Tools Required For Assembly:

Phillips Screwdriver

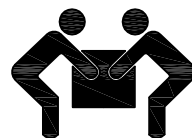


(Not Included)

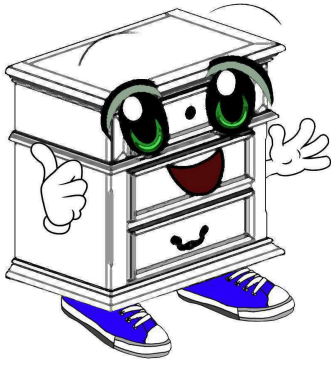
EASY



DIFFICULT



2 PERSONS RECOMMENDED

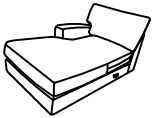


Before you begin, please read Page 2 of "Assembly and Care Advice".

And remember, do not tighten until each step is completed or instructed.

Parts List

Hardware List



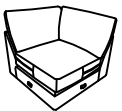
#1 x 1pc
Royal Chair



#A x 100pcs
Screw



#2 x 2pcs
Seat



#3 x 1pc
Corner



#4 x 1pc
Right Sofa



#5 x 1pc
Ottoman



#6 x 1pc
Royal Chair Back Cushion



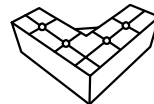
#9 x 1pc
Corner Left Back Cushion



#10 x 1pc
Right Sofa Side
Back Cushion



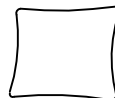
#7 x 3pcs
Back Cushion



#11 x 25pcs
Leg



#8 x 1pc
Corner Left Back Cushion

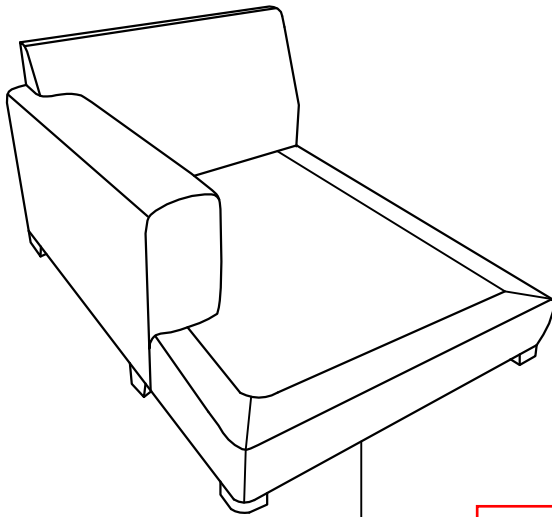


#12 x 6pcs
Pillow

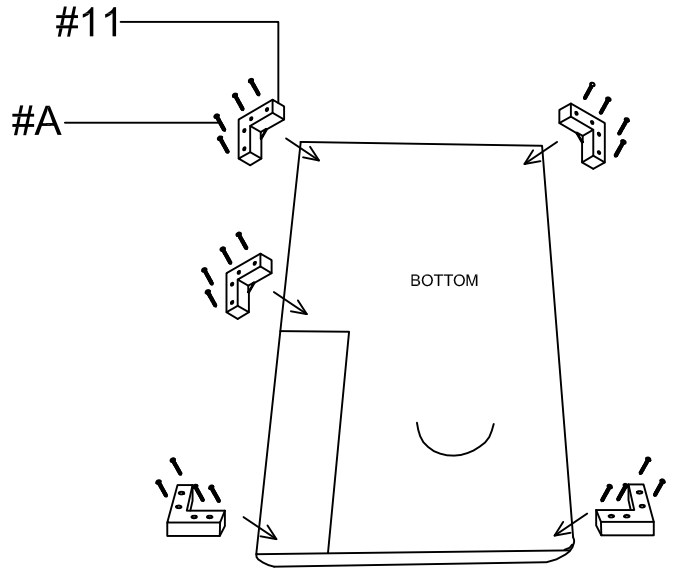


#A x 20pcs

PARTS AND HARDWARES MAY BE STORED AT THE BOTTOM COMPARTMENTS OF SEAT FRAMES (#1-5).



#1

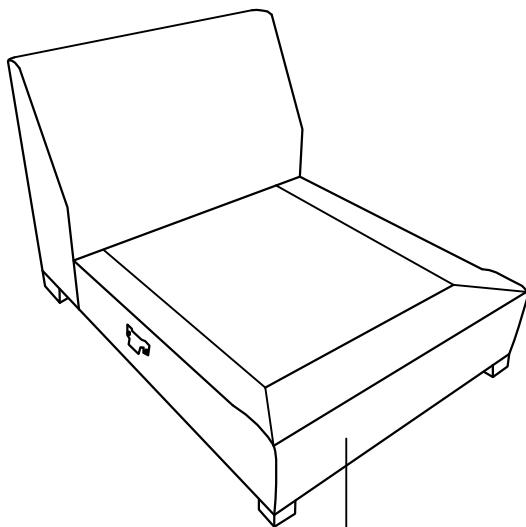


Align legs (#11) to the bottom wooden frames of the royal chair (#1) as shown in the picture, then secure by directly screwing in screws (#A). There will be no pre-drilled holes.

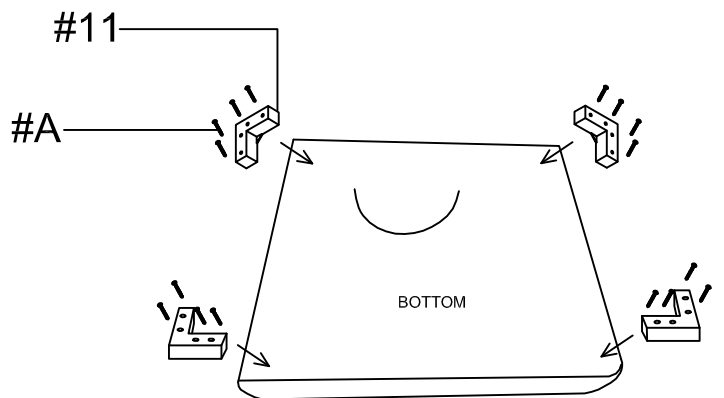


#A x 32pcs

Align legs (#11) to the bottom wooden frames of the seat (#2) as shown in the picture, then secure by directly screwing in screws (#A). There will be no pre-drilled holes.



#2

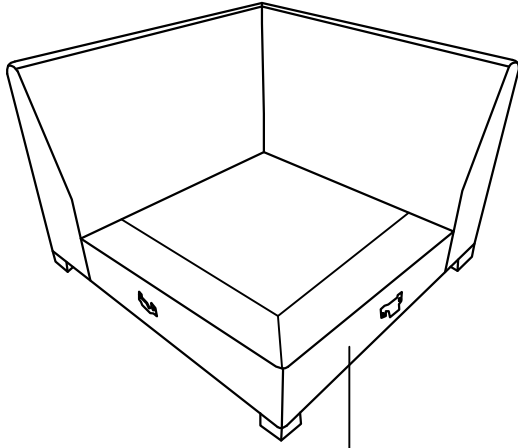


X 2

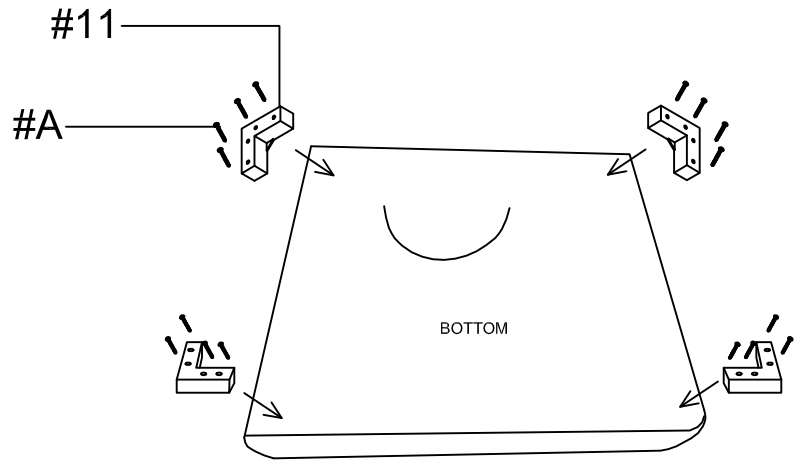


#A x 16pcs

Align legs (#11) to the bottom wooden frames of the corner seat (#3) as shown in the picture, then secure by directly screwing in screws (#A). There will be no pre-drilled holes.

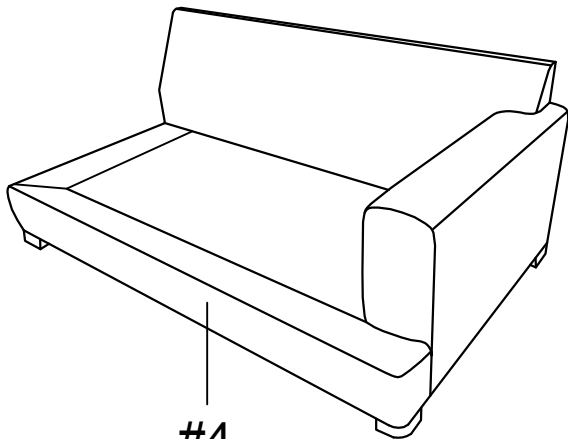


#3

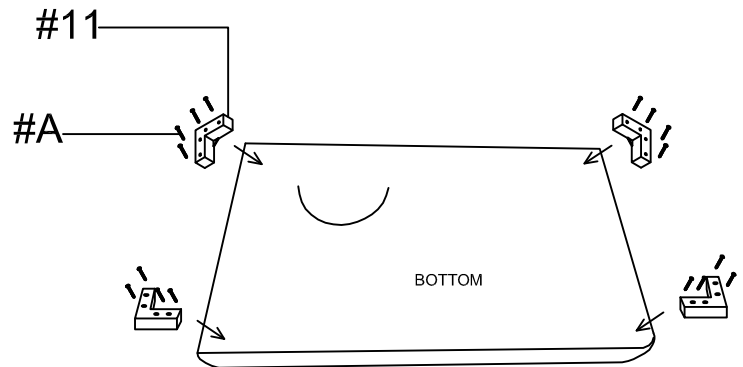


#A x 16pcs

Align legs (#11) to the bottom wooden frames of the right sofa (#4) as shown in the picture, then secure by directly screwing in screws (#A). There will be no pre-drilled holes.



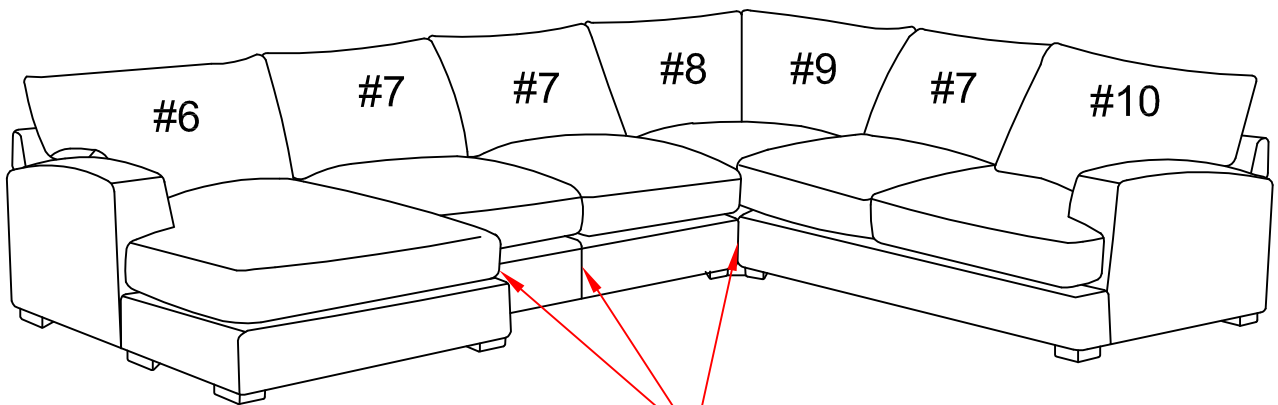
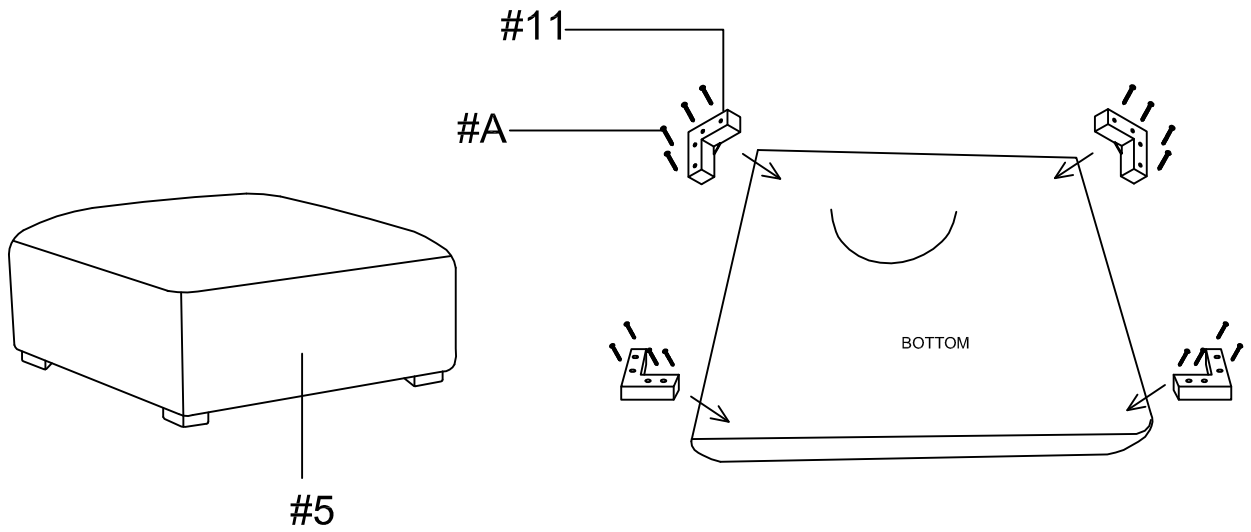
#4





#A x 16pcs

Align legs (#11) to the bottom wooden frames of the ottoman (#5) as shown in the picture, then secure by directly screwing in screws (#A). There will be no pre-drilled holes.



Align and hook the metal brackets of the seats together.

