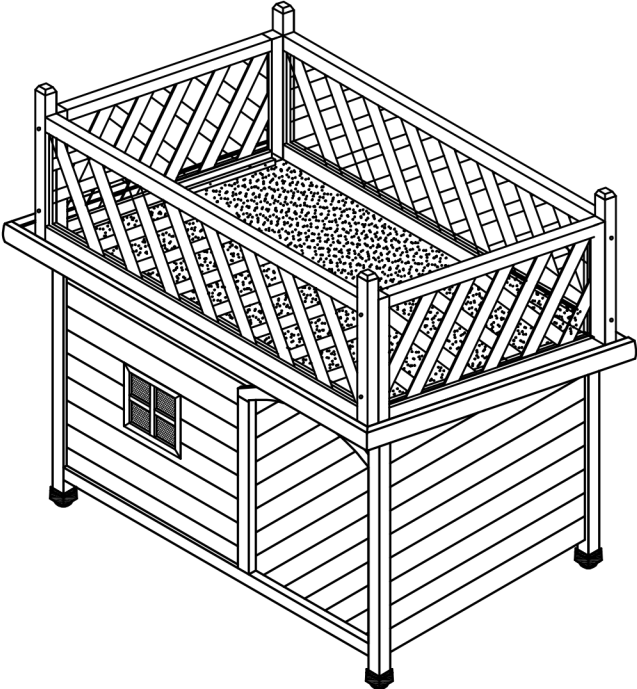


# Assembly Instructions

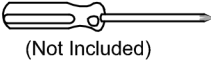


## ASSEMBLY RATING

The Assembly Rating is a 5-point system that shows the degree of effort needed in assembling a specific product (with 1 being easy and 5 being difficult). For some products, two persons are recommended.

## Tools Required For Assembly:

Phillips Screwdriver



(Not Included)

EASY



DIFFICULT

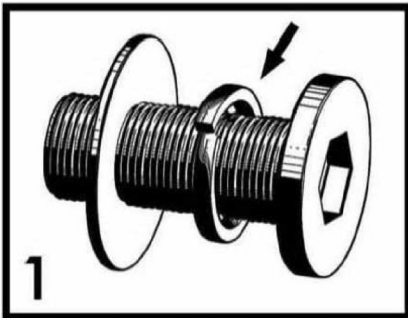


2 PERSONS RECOMMENDED

# ASSEMBLY & CARE ADVICE

FOR YOUR FURNITURE TO LAST, CORRECT ASSEMBLY AND PROPER MAINTENANCE ARE NECESSARY. PLEASE FOLLOW THE INFORMATION PROVIDED BELOW TO FULLY ENJOY YOUR FURNITURE.

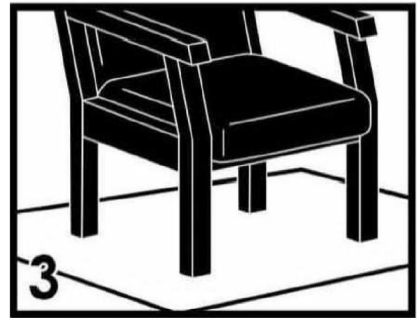
## BASIC ASSEMBLY TECHNIQUES



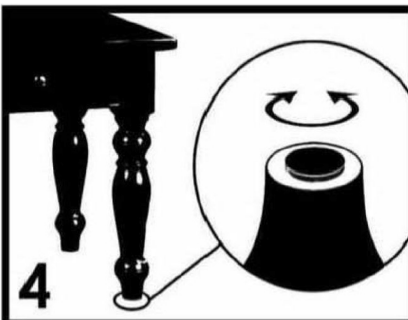
When lock or spring washer is used in an assembly, please make sure the lock or spring washer is placed between the larger flat washer and the head of the screw or bolt.



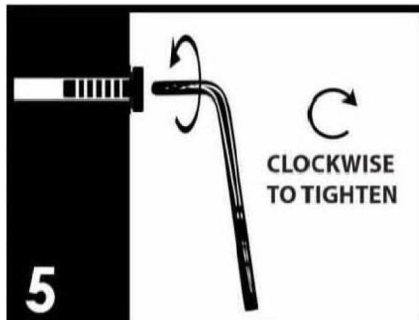
Position each part correctly and insert screws or bolts into their respective holes by hand tighten or using the proper hand tool. Only tighten when step is completed or when instructed to do so.



Use cardboard or carpet area when assembling furniture to prevent scratches. Make sure the furniture rests on a flat and level surface with each leg evenly touching the floor.



Some furniture comes with height adjustment knobs underneath each leg. To lower or to raise each leg, you need to turn clockwise or counterclockwise, respectively.



Make sure all parts are properly aligned, then use the appropriate hand tool to completely tighten the bolts or screws. Do not use power tools and do not overtighten.



Save the instructions and store the Allen wrench or any supplied tool for later maintenance. After two weeks, check and tighten any loose hardware and repeat again every six months thereafter.

IT IS THE USER'S RESPONSIBILITY TO MAINTAIN THE FURNITURE. THE HARDWARE MAY LOOSEN OVER TIME AND MAY CAUSE THE FURNITURE TO BE WOBBLY AND UNABLE TO SUPPORT ITS INTENDED WEIGHT CAPACITY. THIS MAY LEAD TO COLLAPSE AND MAY CAUSE SERIOUS INJURY.



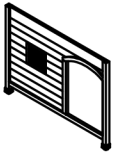
**FAILURE TO FOLLOW THE GUIDELINES ABOVE MAY RESULT IN INJURY AND/OR PROPERTY DAMAGE.**



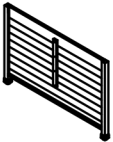
Before you begin, please read Page 2 of "Assembly and Care Advice".

And remember, do not tighten until each step is completed or instructed.

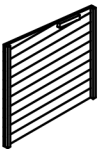
### Parts List



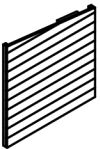
#1 x 1pc  
Front Panel



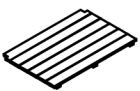
#2 x 1pc  
Back Panel



#3 x 1pc  
Left Side Panel



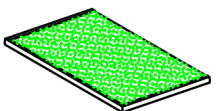
#4 x 1pc  
Right Side Panel



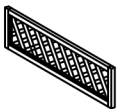
#5 x 2pcs  
Side Floor Panel



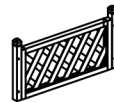
#6 x 1pc  
Center Floor Panel



#7 x 1pc  
Roof



#8 x 2pcs  
Rear Guardrail



#9 x 2pcs  
Right Fence

### Hardware List



#A x 8pcs  
Bolt 1/4"X2-3/8"



#B x 8pcs  
Screw 1-4/5"L



#C x 12pcs  
Screw 3/4"L



#D x 6pcs  
Screw 1-1/5"L



#E x 1pc  
Left Hinge



#F x 1pc  
Right Hinge

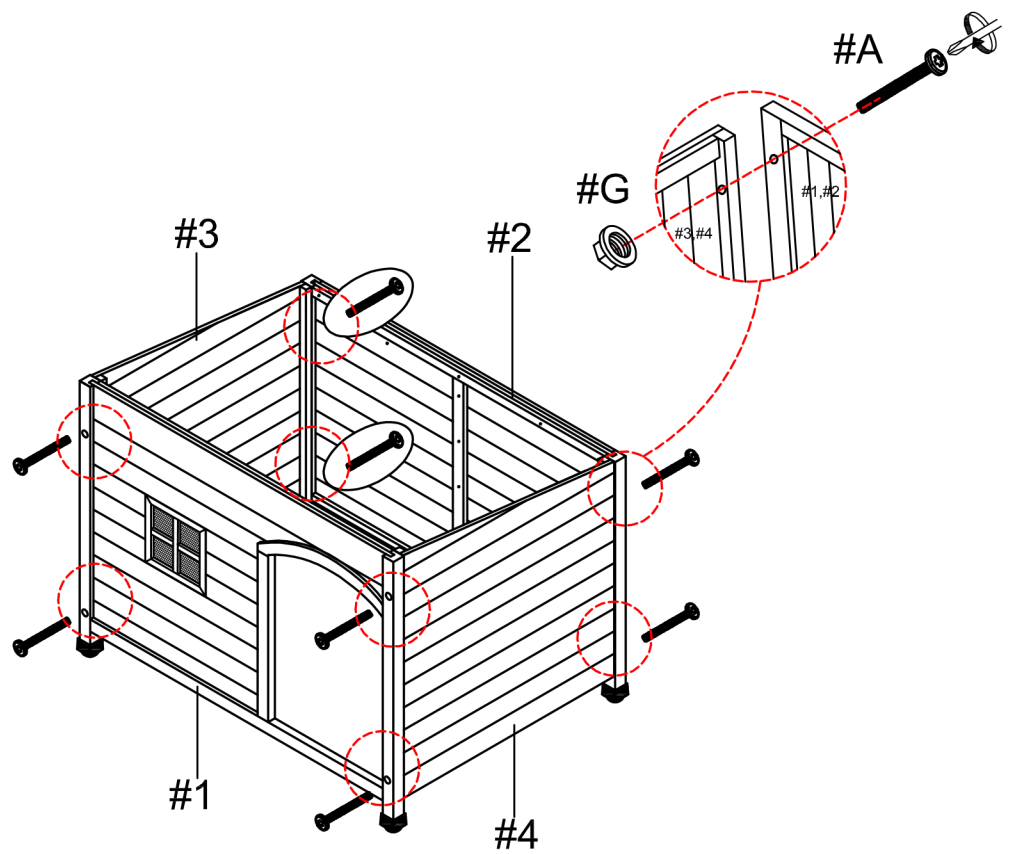


#G x 8pcs  
Nut

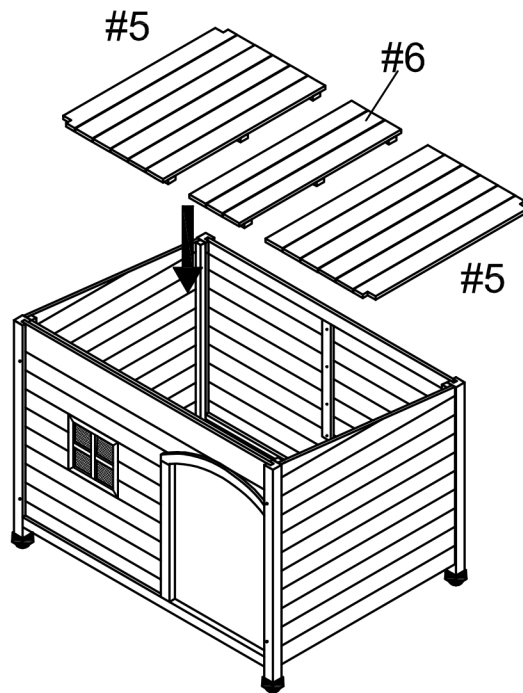


Align left side panel (#3) and right side panel (#4) to the holes of the front panel (#1) and back panel (#2) as shown in the picture. Insert bolts (#A) through the holes and secure with nut (#G) from the other end.

#A x 8pcs  
#G x 8pcs



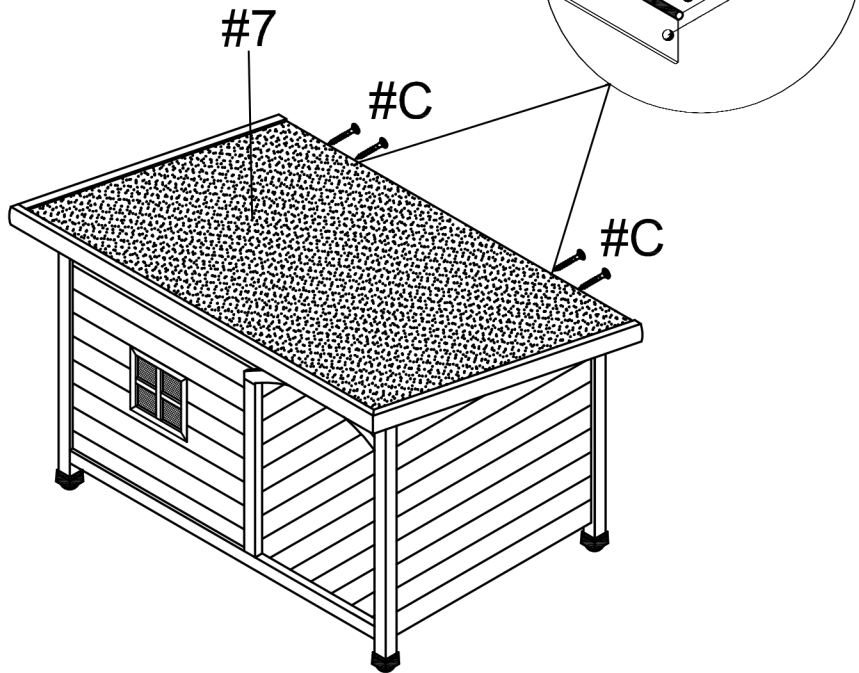
Carefully place the side floor panels (#5) and center floor panel (#6) onto the house.





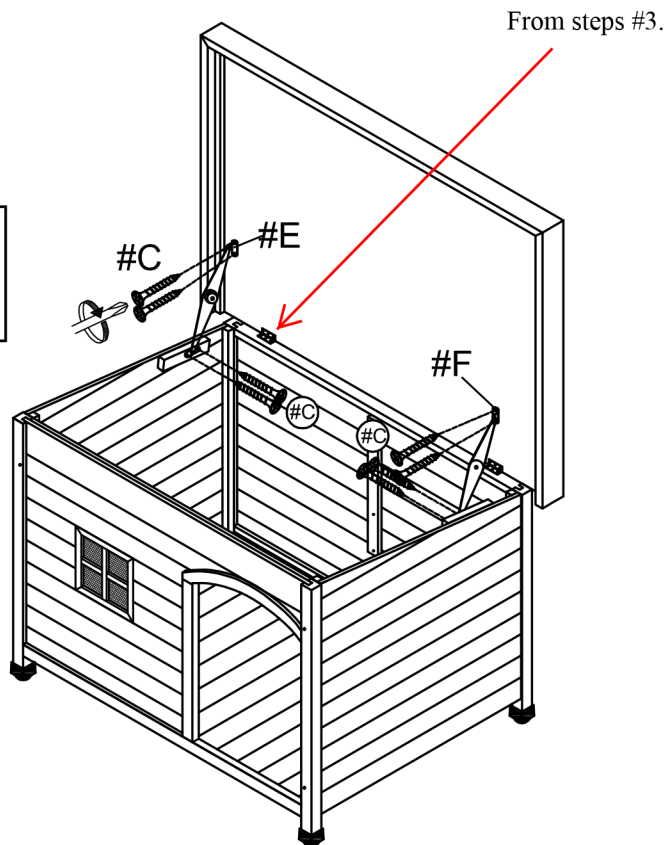
Place the roof (#7) onto the top of the house, then align the hinge bracket to the roof (#7) and the top portion of back panel. Secure with screws (#C) as shown in steps (#4).

#C x 4pcs



#C x 8pcs

Align left hinge (#E) and right hinge (#F) to the holes of the roof (#7) and side panels (#3,4). Secure with screws (#C).

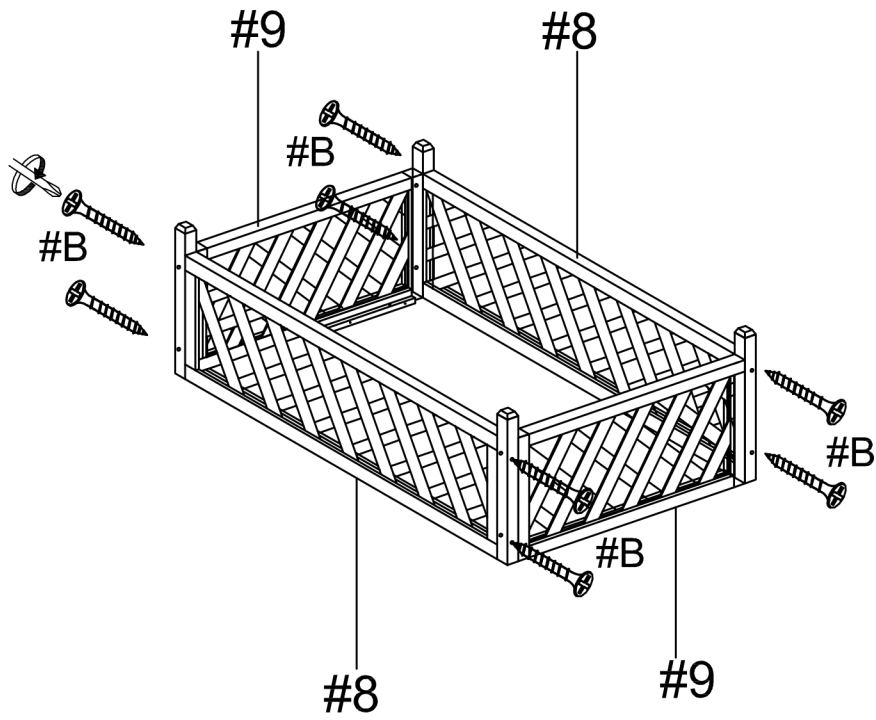




#5

#B x 8pcs

Align fences (#9) to the holes of the rear guardrails (#8). Secure with screws (#B).



#6

#D x 6pcs

Place the whole fence onto the roof, then secure with screws (#D).

